



US00D643119S

(12) **United States Design Patent**
Bardy

(10) **Patent No.:** **US D643,119 S**

(45) **Date of Patent:** **** Aug. 9, 2011**

(54) **IMPLANTATION INSTRUMENT**

(76) Inventor: **Gust H. Bardy**, Carnation, WA (US)

(**) Term: **14 Years**

(21) Appl. No.: **29/365,789**

(22) Filed: **Jul. 14, 2010**

(51) **LOC (9) Cl.** **24-02**

(52) **U.S. Cl.** **D24/141**

(58) **Field of Classification Search** D24/155,
D24/156, 133, 152, 154, 135, 141, 144-147,
D24/151; 606/167; 623/23.54, 23.7, 1.15,
623/903; 604/57, 59, 60; 600/564; 607/40
See application file for complete search history.

(56) **References Cited**

U.S. PATENT DOCUMENTS

| | | | | | |
|--------------|------|---------|------------------|-------|---------|
| D295,318 | S * | 4/1988 | Gazale | | D24/147 |
| D301,378 | S * | 5/1989 | Shippert | | D24/141 |
| D396,287 | S * | 7/1998 | Morales | | D24/141 |
| 6,261,243 | B1 * | 7/2001 | Burney et al. | | 600/564 |
| 7,247,160 | B2 * | 7/2007 | Seiler et al. | | 606/167 |
| D593,201 | S * | 5/2009 | Lash et al. | | D24/135 |
| 7,942,843 | B2 * | 5/2011 | Tune et al. | | 604/60 |
| 2003/0135153 | A1 * | 7/2003 | Hagemeier | | 604/59 |
| 2007/0249992 | A1 * | 10/2007 | Bardy | | 604/60 |
| 2009/0018603 | A1 * | 1/2009 | Mitelberg et al. | | 607/40 |
| 2010/0249696 | A1 * | 9/2010 | Bardy | | 604/60 |

2010/0318022 A1* 12/2010 Bardy 604/60
* cited by examiner

Primary Examiner — Ian Simmons

Assistant Examiner — Charles Hanson

(74) *Attorney, Agent, or Firm* — Patrick J. S. Inouye

(57) **CLAIM**

The ornamental design for an implantation instrument, as substantially shown and described.

DESCRIPTION

FIG. 1 is a top perspective view showing an implantation instrument.

FIG. 2 is a bottom perspective view of the implantation instrument of FIG. 1.

FIG. 3 is a top plan view of the implantation instrument of FIG. 1.

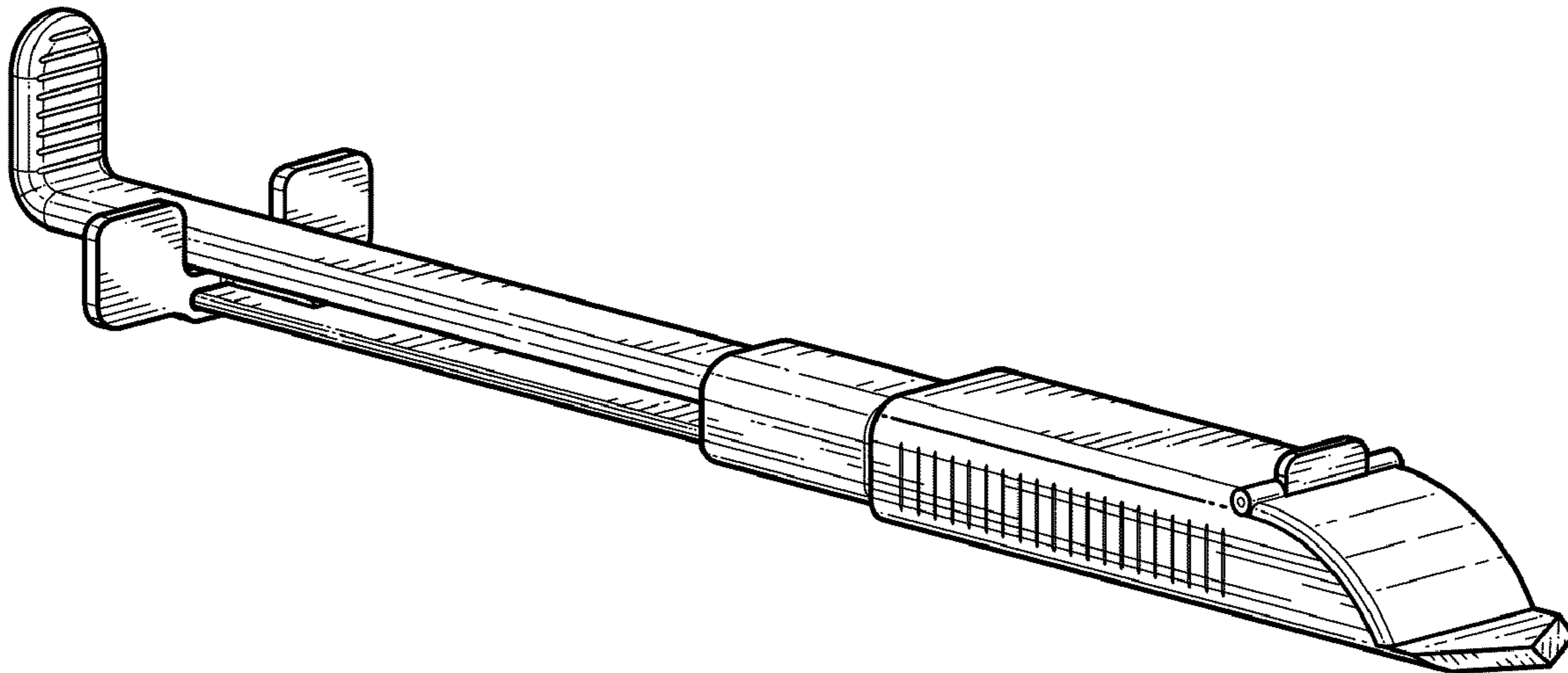
FIG. 4 is a bottom plan view of the implantation instrument of FIG. 1.

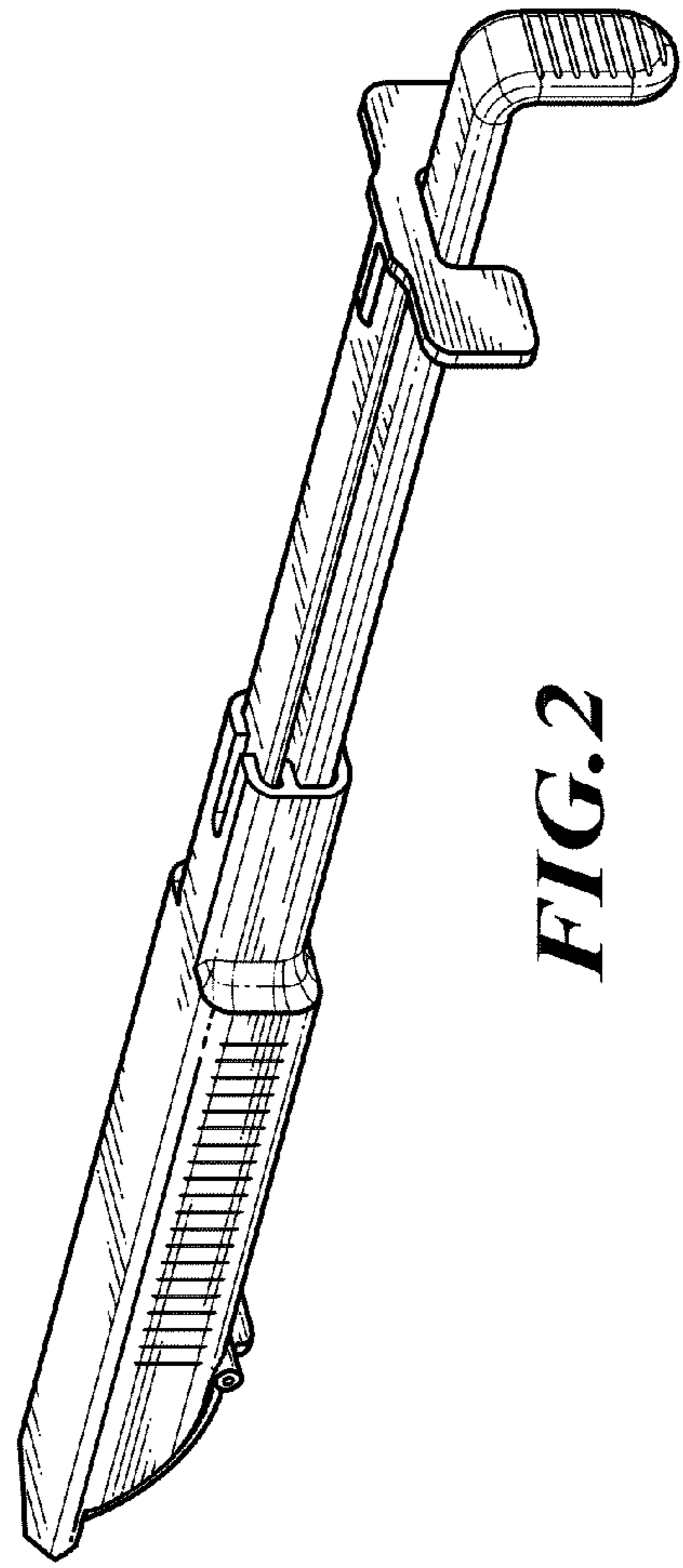
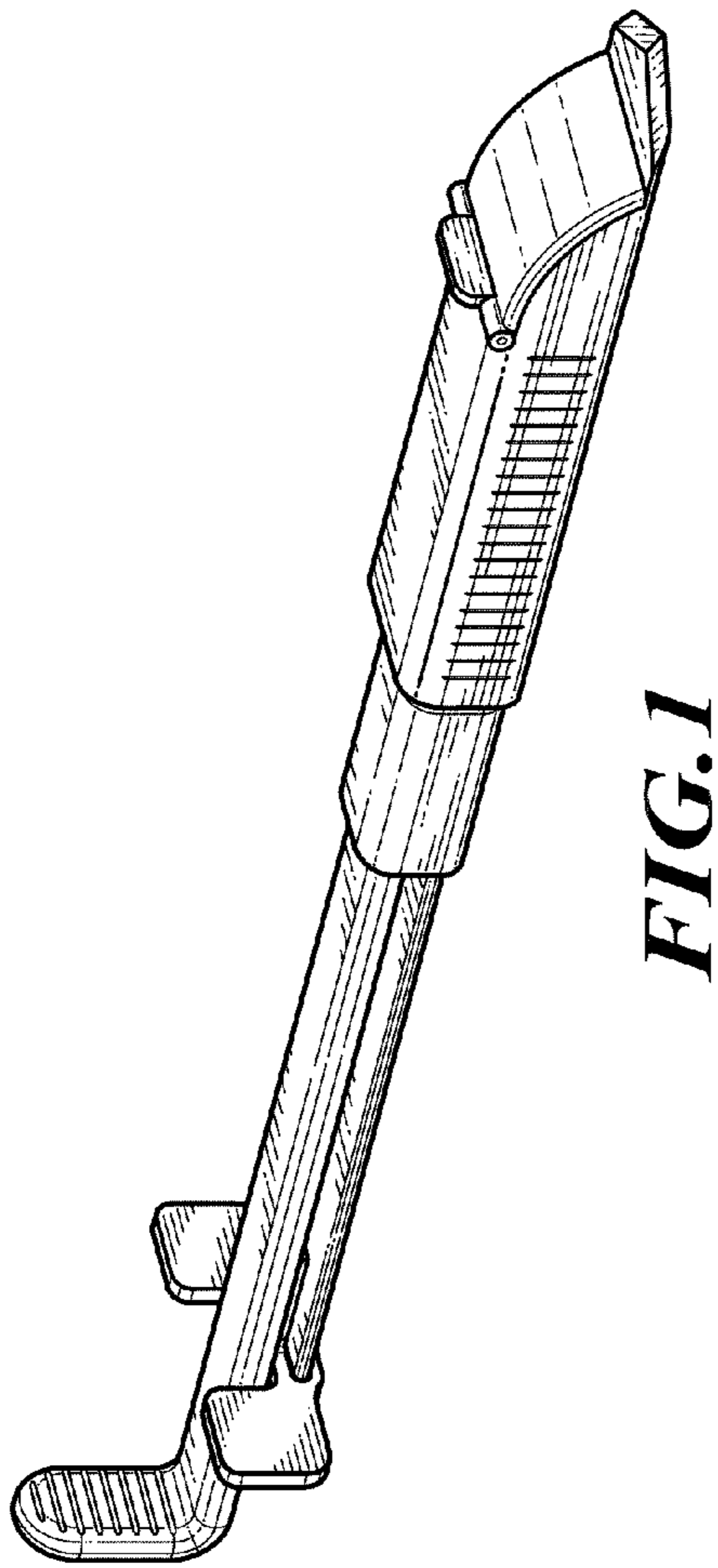
FIG. 5 is a side elevational view of the implantation instrument of FIG. 1.

FIG. 6 is a rear elevational view of the implantation instrument of FIG. 1; and,

FIG. 7 is a front elevational view of the implantation instrument of FIG. 1.

1 Claim, 3 Drawing Sheets





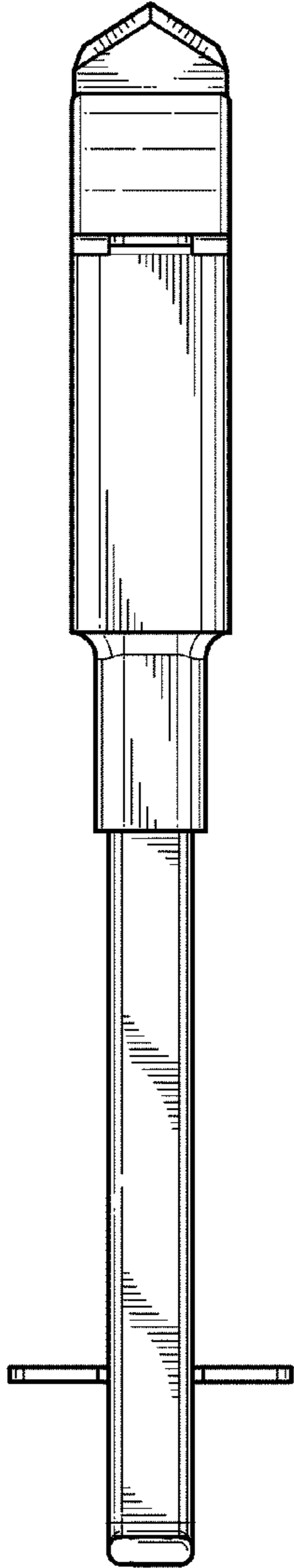


FIG. 3

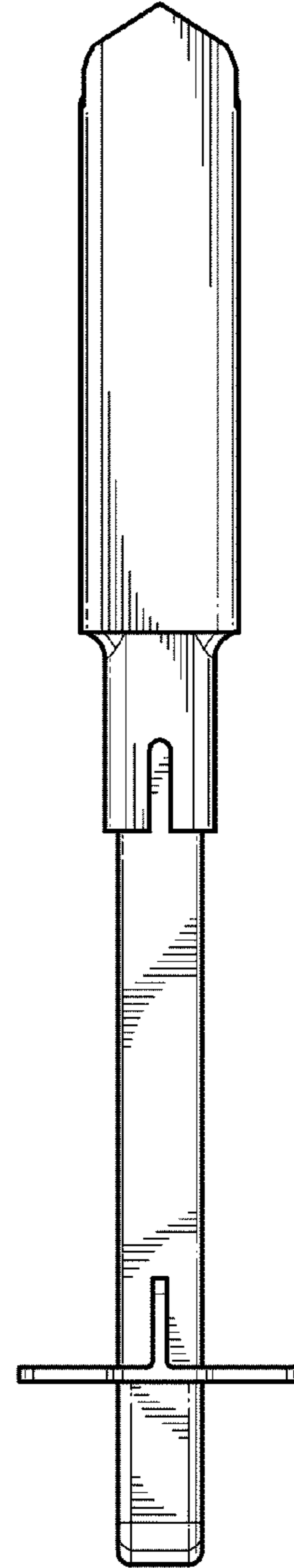


FIG. 4

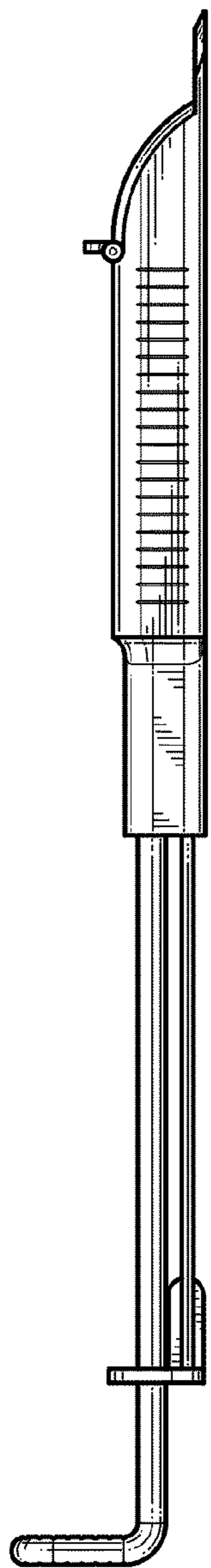


FIG. 5

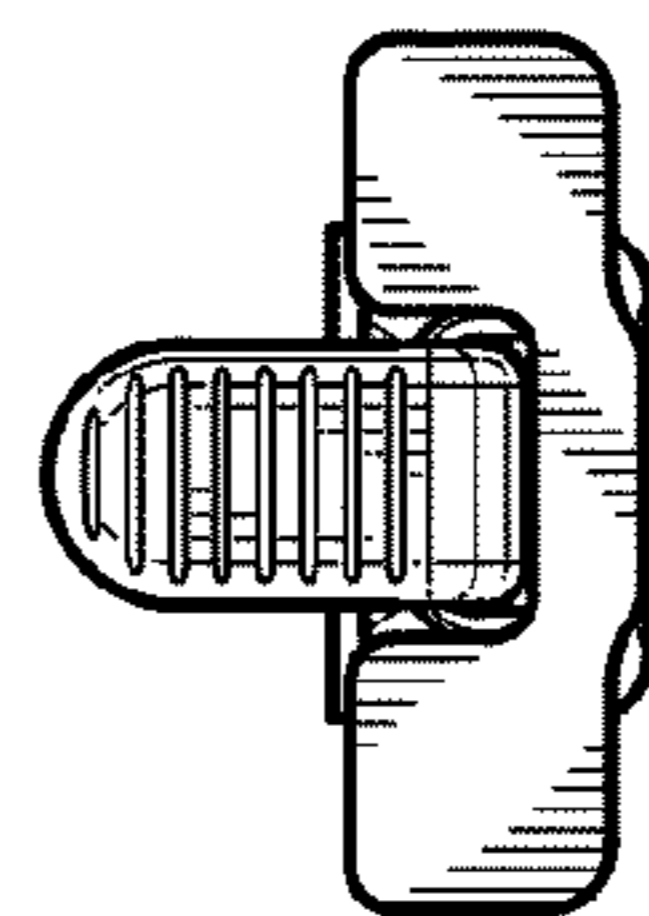


FIG. 6

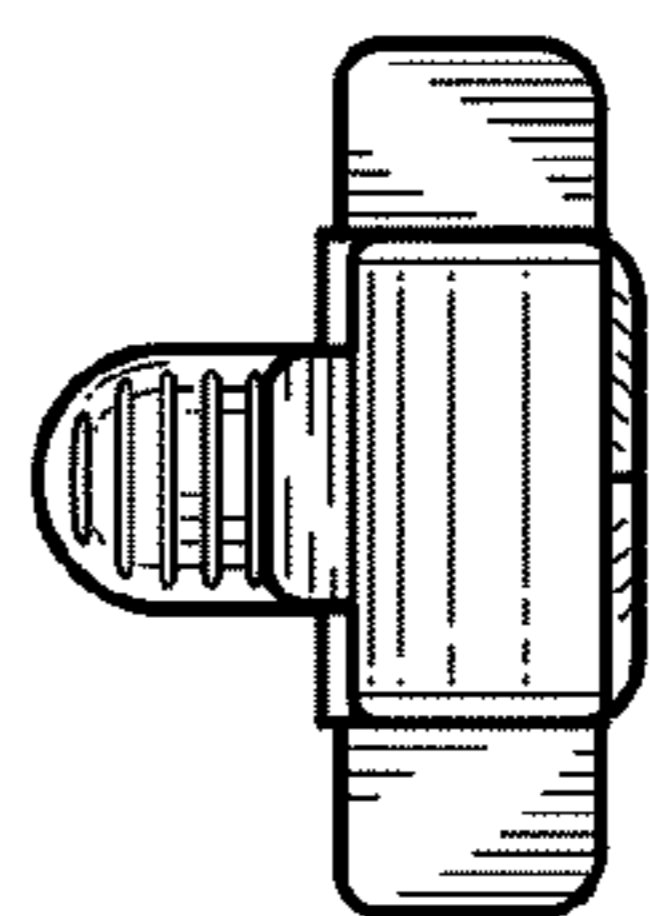


FIG. 7