



US00D643118S

(12) **United States Design Patent**
Zimmer et al.

(10) **Patent No.:** **US D643,118 S**

(45) **Date of Patent:** **** Aug. 9, 2011**

(54) **BIOPSY SITE MARKER**

(75) Inventors: **Brian S Zimmer**, Indianapolis, IN (US);
Zachary R. Nicoson, Indianapolis, IN
(US); **Laresha V. Fluker**, Indianapolis,
IN (US); **Kyle S. Curry**, Carmel, IN
(US)

(73) Assignee: **Hologic, Inc.**, Marlborough, MA (US)

(**) Term: **14 Years**

(21) Appl. No.: **29/379,025**

(22) Filed: **Nov. 12, 2010**

(51) **LOC (9) Cl.** **24-02**

(52) **U.S. Cl.** **D24/140**

(58) **Field of Classification Search** D24/133,
D24/140; 600/562, 424, 431

See application file for complete search history.

D522,140	S *	5/2006	Stalcup et al.	D24/135
7,156,814	B1 *	1/2007	Williamson et al.	600/562
7,214,226	B2 *	5/2007	Alleyne	606/86 A
D625,005	S *	10/2010	Zimmer et al.	D24/140
2002/0035324	A1 *	3/2002	Sirimanne et al.	600/431
2002/0038087	A1 *	3/2002	Burbank et al.	600/431
2003/0204137	A1 *	10/2003	Chesbrough et al.	600/426
2004/0193044	A1 *	9/2004	Burbank et al.	600/431
2005/0165305	A1 *	7/2005	Foerster et al.	600/431
2005/0240181	A1 *	10/2005	Boomer et al.	606/61
2005/0267529	A1 *	12/2005	Crockett et al.	606/215
2006/0004388	A1 *	1/2006	Whayne et al.	606/151
2007/0055247	A1 *	3/2007	Jahng	606/61
2007/0078460	A1 *	4/2007	Frigg et al.	606/61
2007/0142725	A1 *	6/2007	Hardin et al.	600/431
2009/0069670	A1 *	3/2009	Mark	600/420

* cited by examiner

Primary Examiner — Bridget L Eland

(74) *Attorney, Agent, or Firm* — Robert P. Smith

(57) **CLAIM**

The ornamental design for a biopsy site marker, as shown.

DESCRIPTION

FIG. 1 is a perspective view of a biopsy site marker showing our new design;

FIG. 2 is a left side elevational view thereof;

FIG. 3 is a right side elevational view thereof;

FIG. 4 is a rear elevational view thereof;

FIG. 5 is a front elevational view thereof;

FIG. 6 is a top plan view thereof; and,

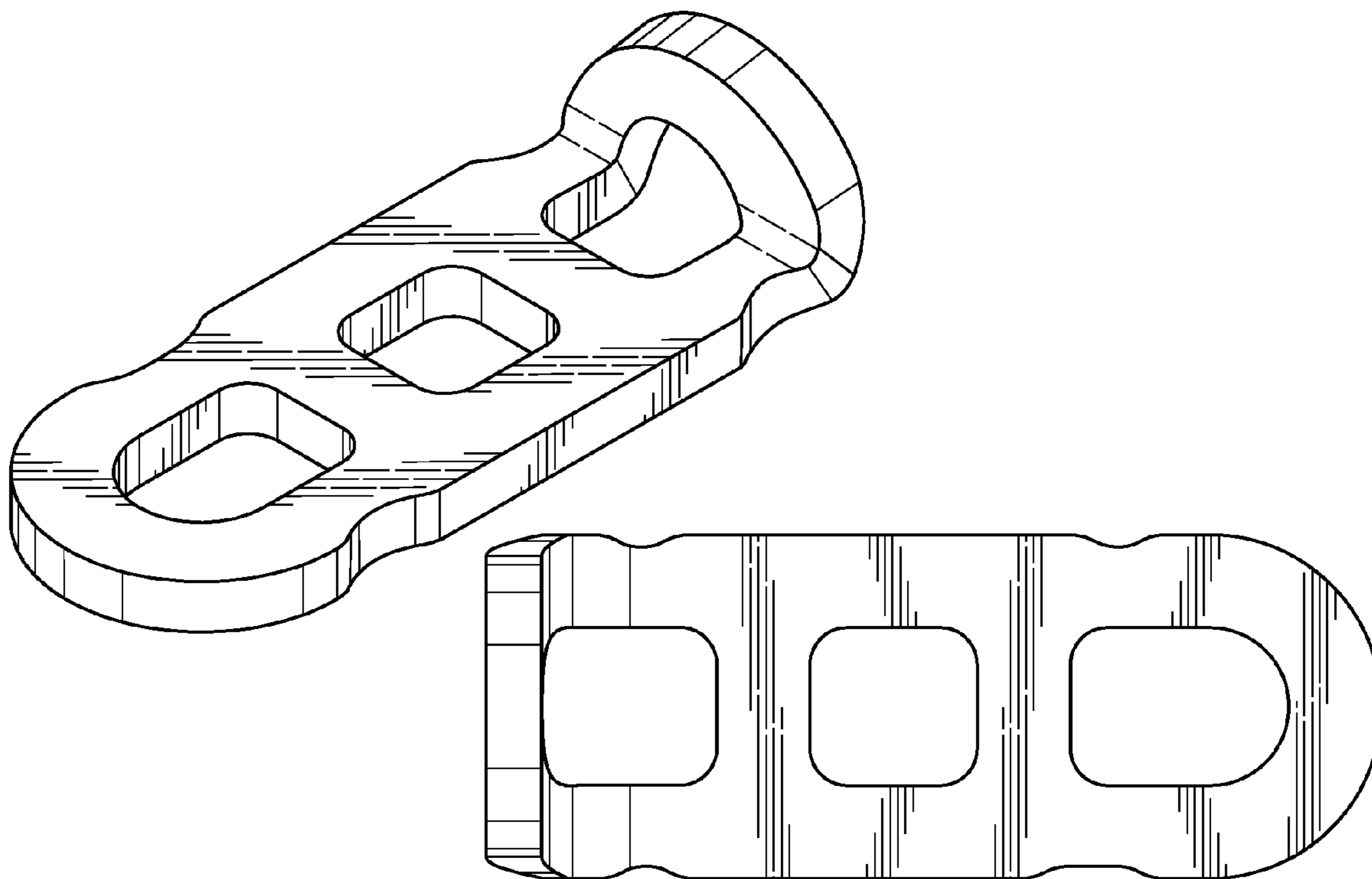
FIG. 7 is a bottom plan view thereof.

1 Claim, 3 Drawing Sheets

(56) **References Cited**

U.S. PATENT DOCUMENTS

D134,795	S *	1/1943	Du Bois	D11/95
D134,796	S *	1/1943	Du Bois	D11/95
3,502,070	A *	3/1970	Bliss	606/1
4,576,163	A *	3/1986	Bliss	606/1
5,480,440	A *	1/1996	Kambin	606/86 A
5,947,965	A *	9/1999	Bryan	606/86 A
D422,706	S *	4/2000	Bucholz et al.	D24/140
D433,134	S *	10/2000	Pitesky	D24/136
6,352,543	B1 *	3/2002	Cole	606/153
6,981,983	B1 *	1/2006	Rosenblatt et al.	606/216



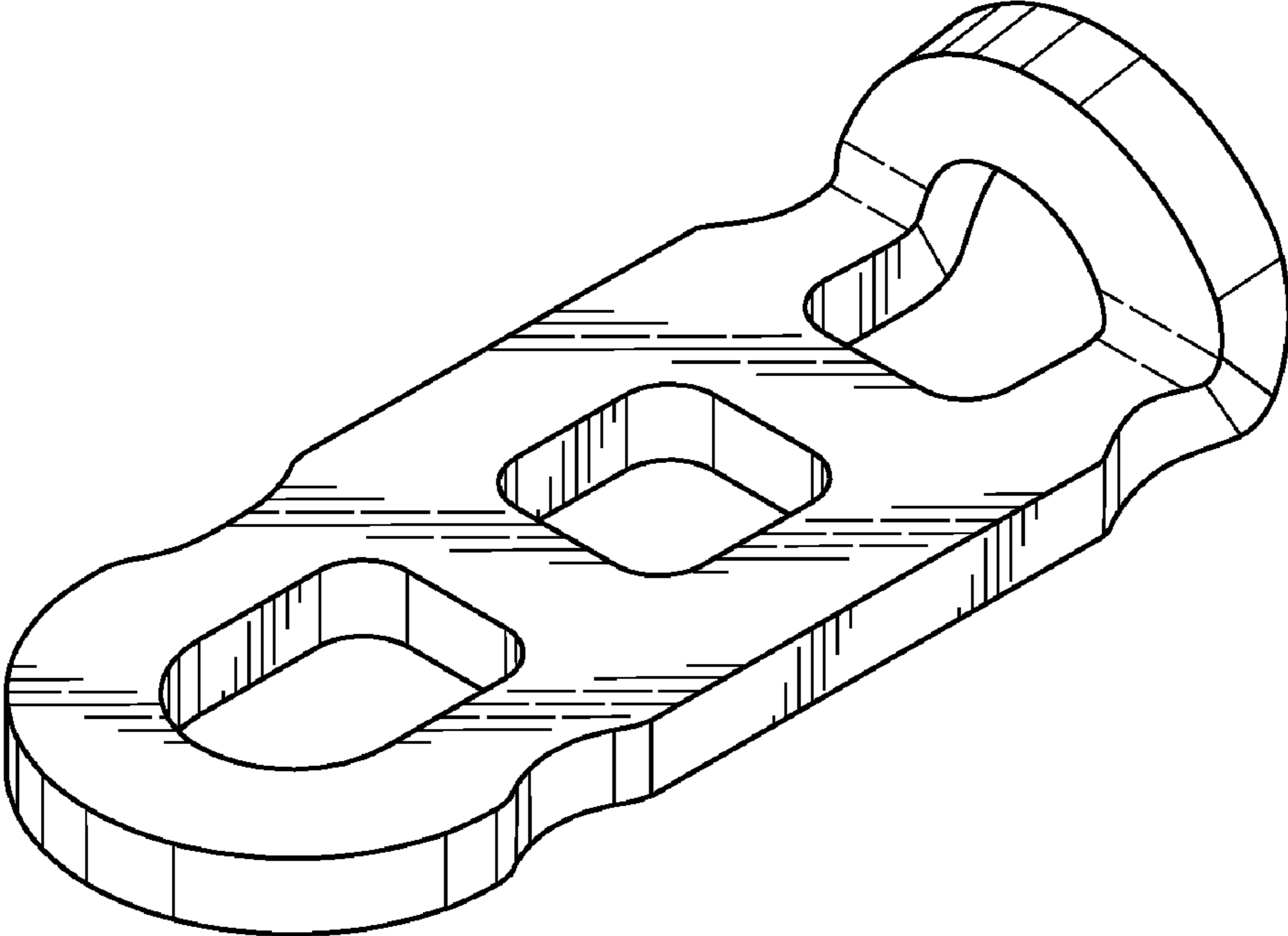


FIG. 1

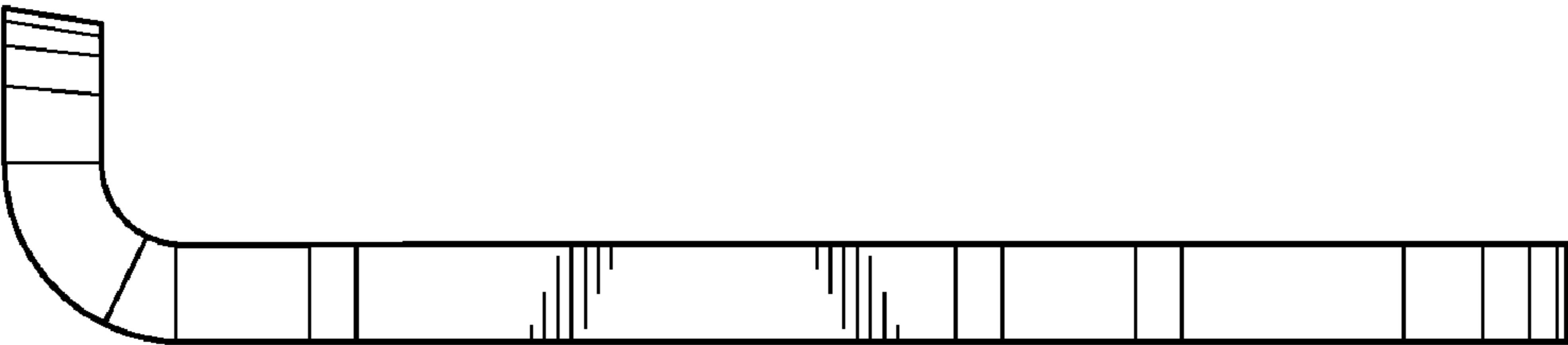


FIG. 2

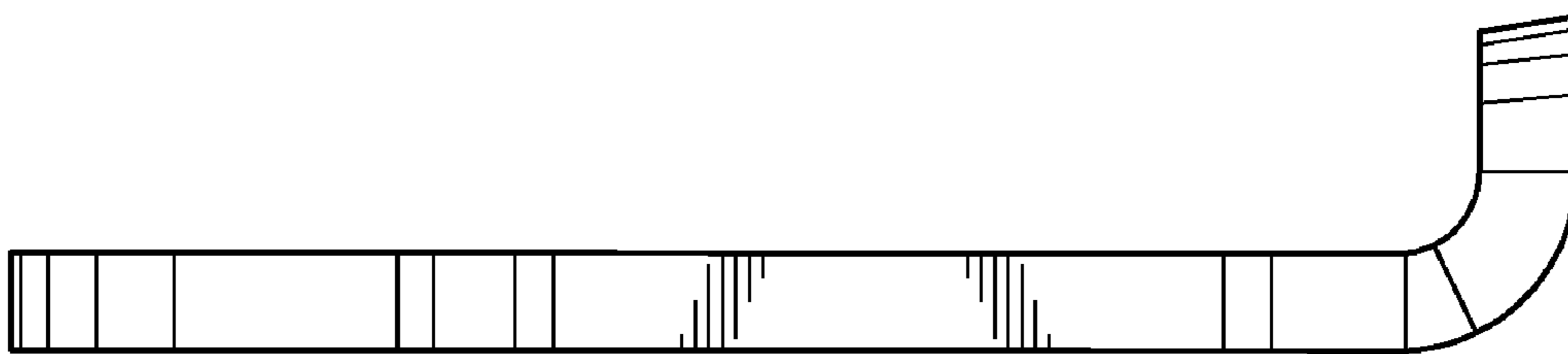


FIG. 3

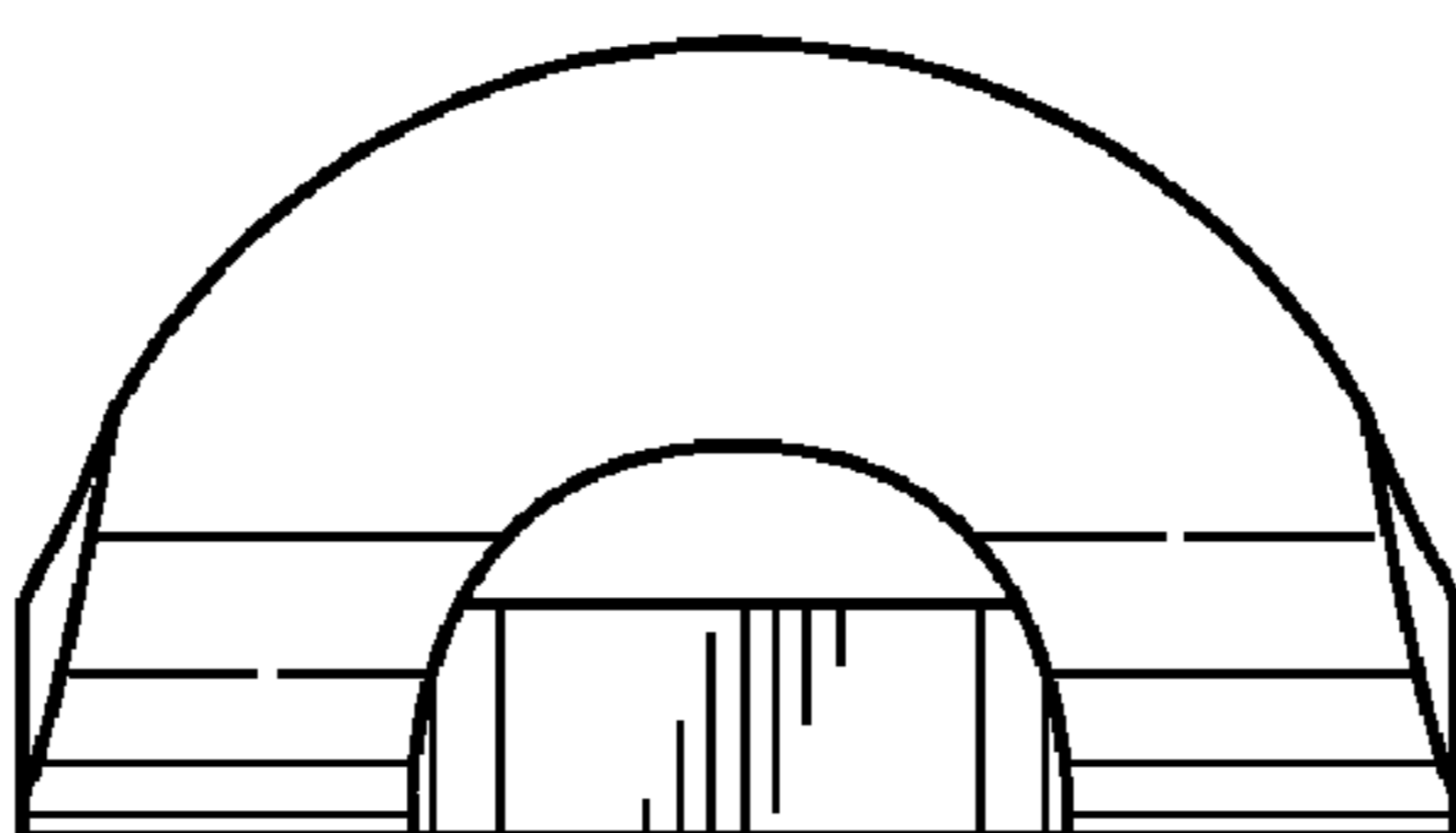


FIG. 4

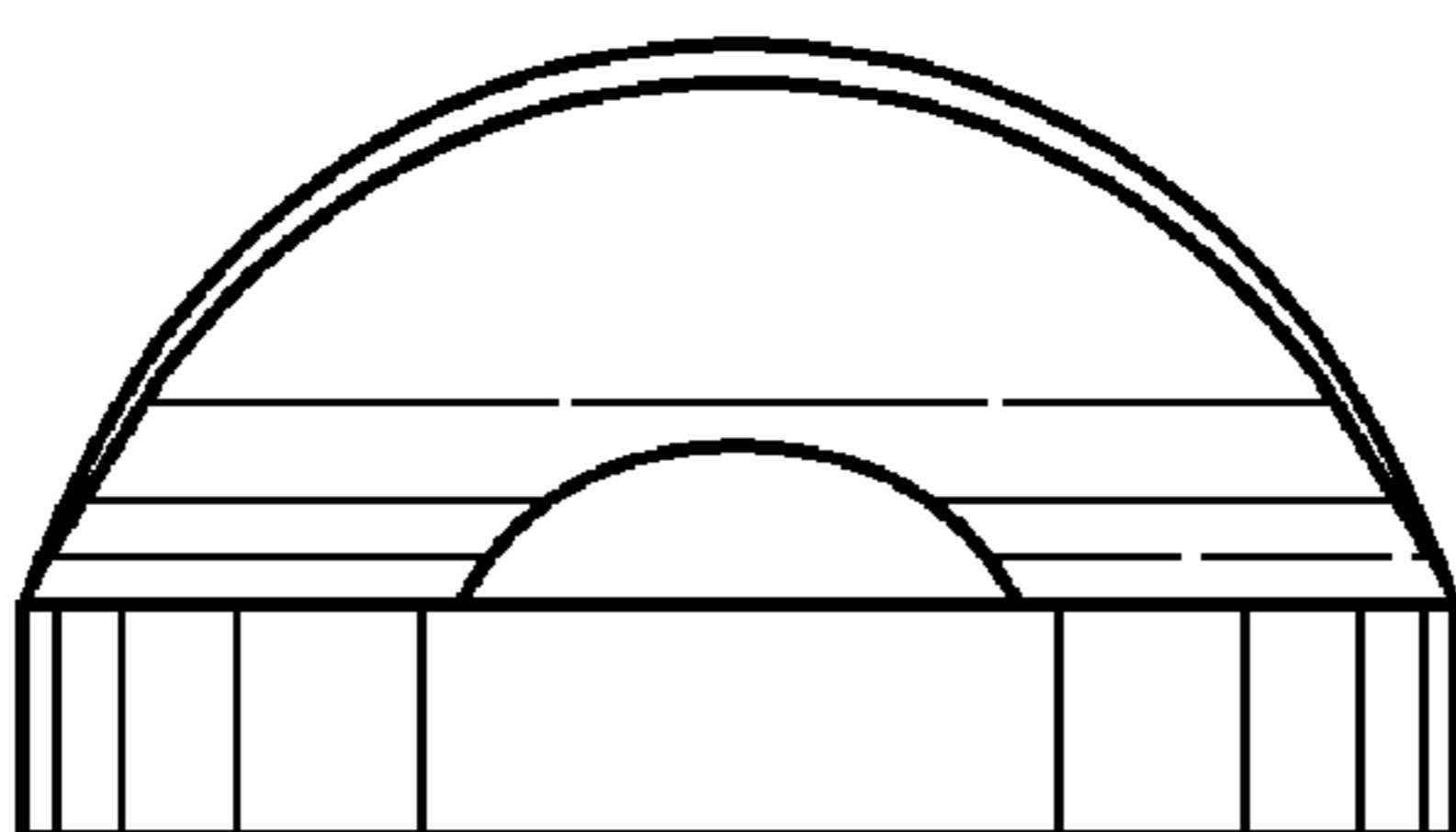


FIG. 5

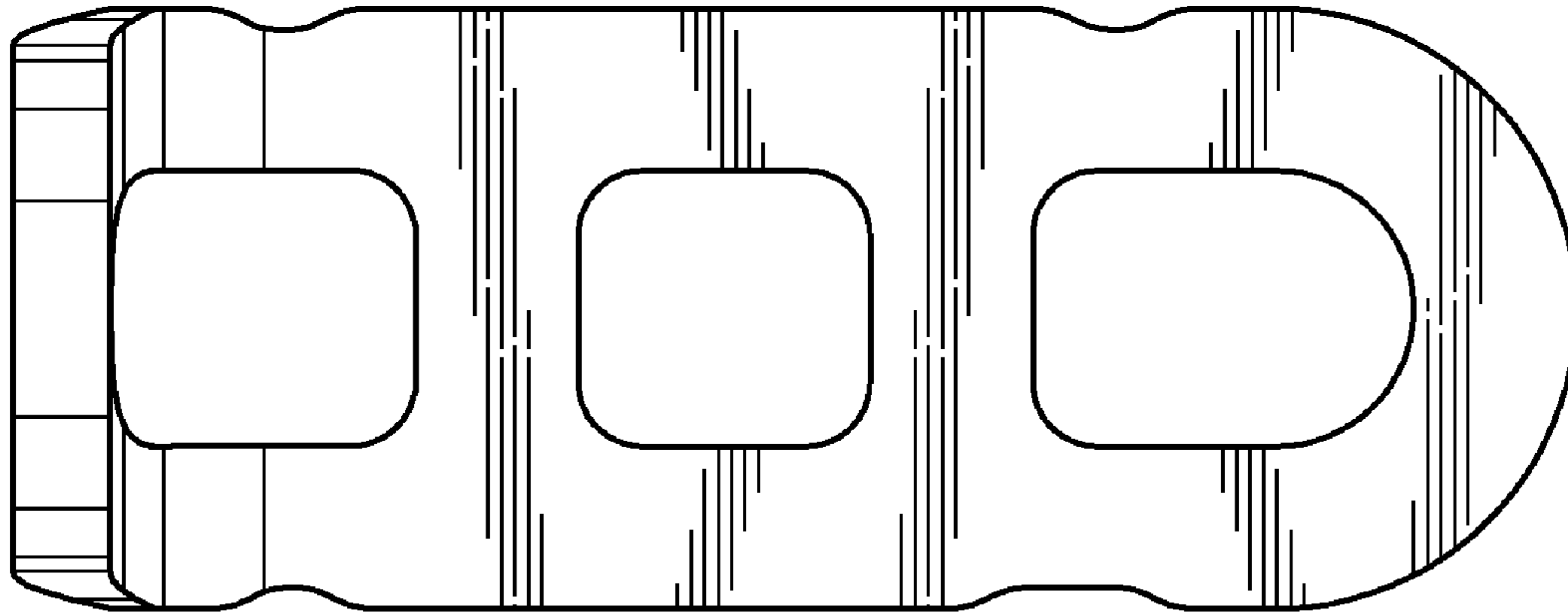


FIG. 6

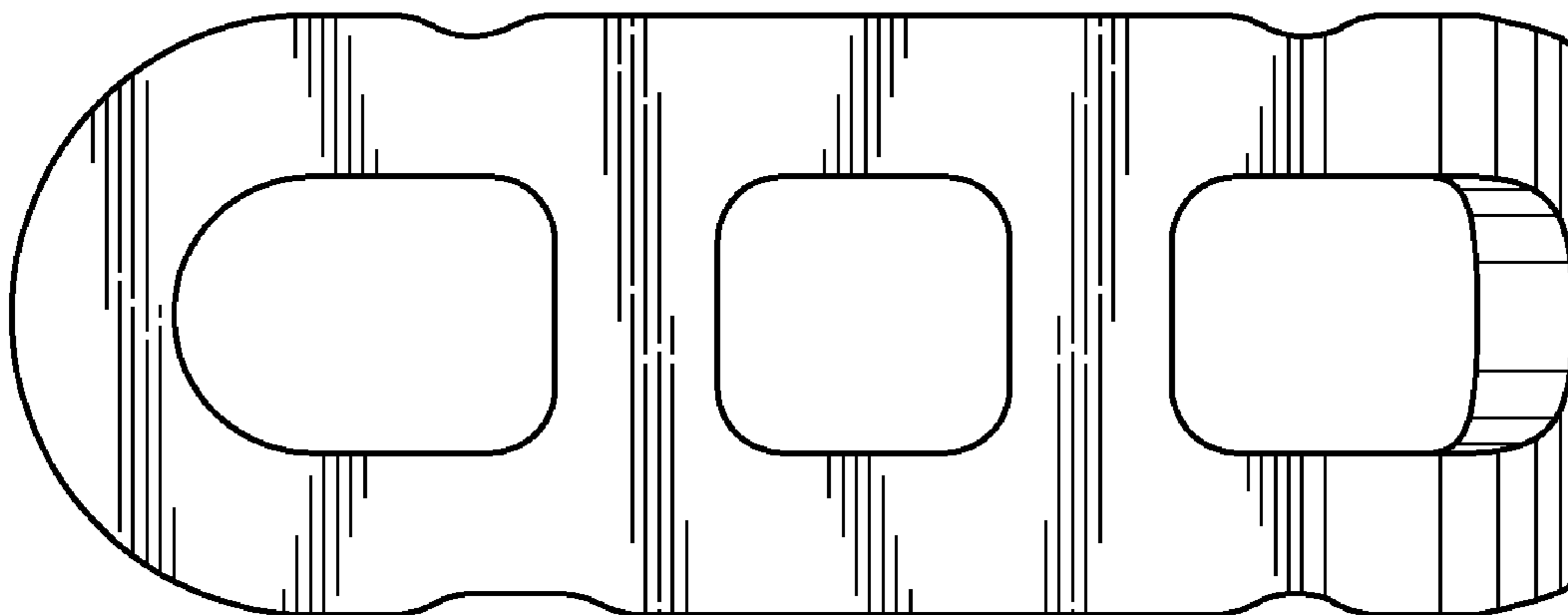


FIG. 7