



US00D643117S

(12) **United States Design Patent**
Onuma

(10) **Patent No.:** **US D643,117 S**

(45) **Date of Patent:** **** Aug. 9, 2011**

(54) **PROCESSOR FOR ENDOSCOPE**

(75) Inventor: **Koki Onuma**, Tokyo (JP)

(73) Assignee: **Hoya Corporation**, Tokyo (JP)

(**) Term: **14 Years**

(21) Appl. No.: **29/376,512**

(22) Filed: **Oct. 8, 2010**

(30) **Foreign Application Priority Data**

Apr. 9, 2010 (JP) 2010-009091

(51) **LOC (9) Cl.** **24-02**

(52) **U.S. Cl.** **D24/138**

(58) **Field of Classification Search** D24/138,
D24/137, 186; 600/101-183

See application file for complete search history.

(56) **References Cited**

U.S. PATENT DOCUMENTS

D534,654 S *	1/2007	Hayamizu	D24/138
D535,745 S *	1/2007	Hayamizu	D24/138
D537,163 S *	2/2007	Nakamura	D24/138
D549,333 S *	8/2007	Nakamura	D24/138
D564,094 S *	3/2008	Hayashi	D24/138

D564,661 S *	3/2008	Hayashi	D24/138
D624,650 S *	9/2010	Tanaka	D24/138
2002/0045801 A1 *	4/2002	Niida et al.	600/118

* cited by examiner

Primary Examiner — Bridget L Eland

(74) *Attorney, Agent, or Firm* — Sughrue Mion, PLLC

(57) **CLAIM**

The ornamental design for the processor for endoscope, as shown and described.

DESCRIPTION

FIG. 1 is a right side front perspective view of a processor for endoscope showing my new design;

FIG. 2 is a left side front perspective view thereof;

FIG. 3 is a front view thereof;

FIG. 4 is a rear view thereof;

FIG. 5 is a top plan view thereof;

FIG. 6 is a bottom view thereof;

FIG. 7 is a left side view thereof;

FIG. 8 is a right side view thereof;

FIG. 9 is an enlarged front view thereof;

FIG. 10 is a right side enlarged perspective view of a front panel portion thereof; and,

FIG. 11 is a left side enlarged perspective view of the front panel portion thereof.

The broken lines immediately adjacent the shaded areas represent the bounds of the claimed design while all other broken lines are directed to environment and are for illustrative purposes only; the broken lines form no part of the claimed design.

1 Claim, 11 Drawing Sheets

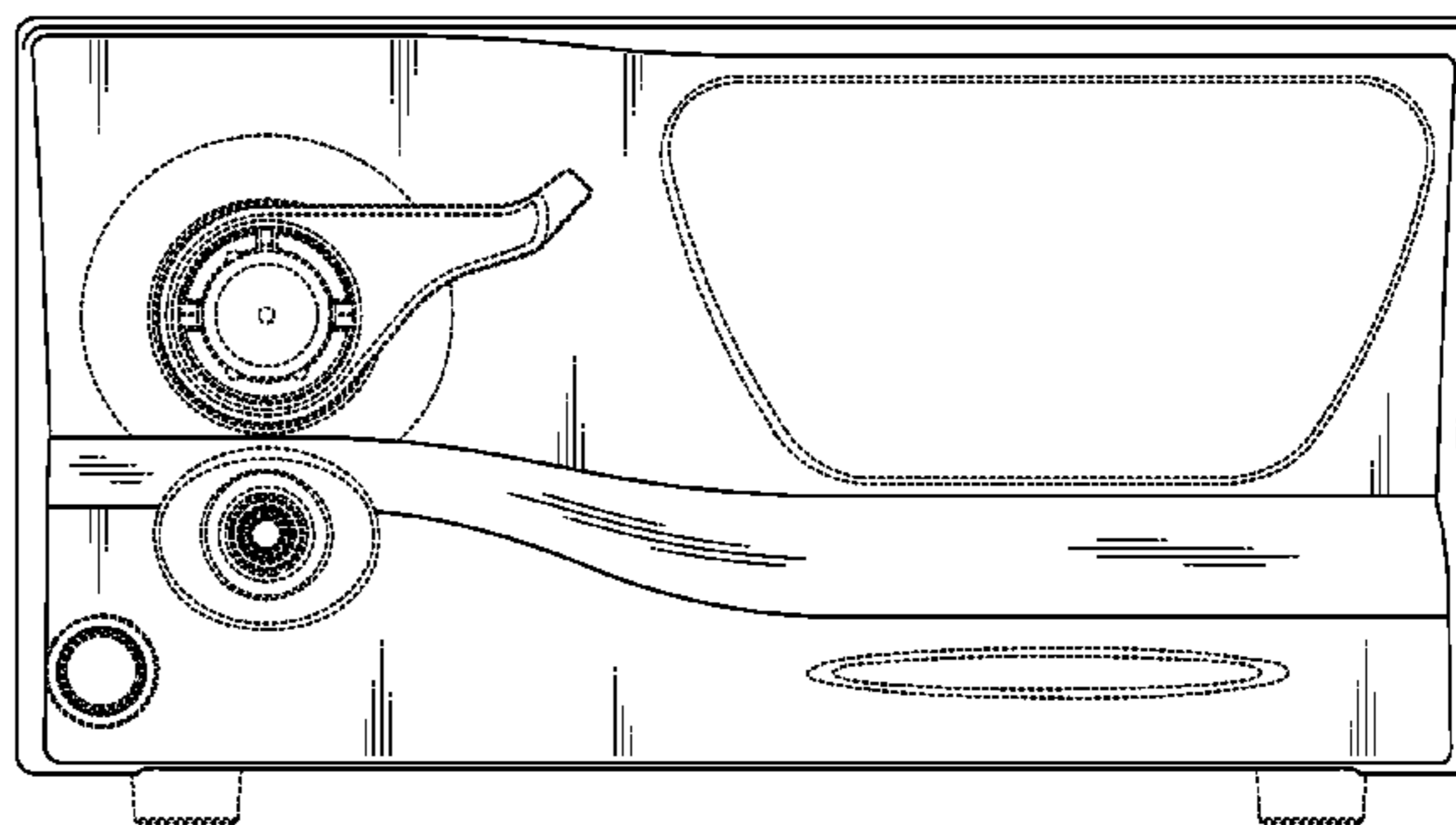
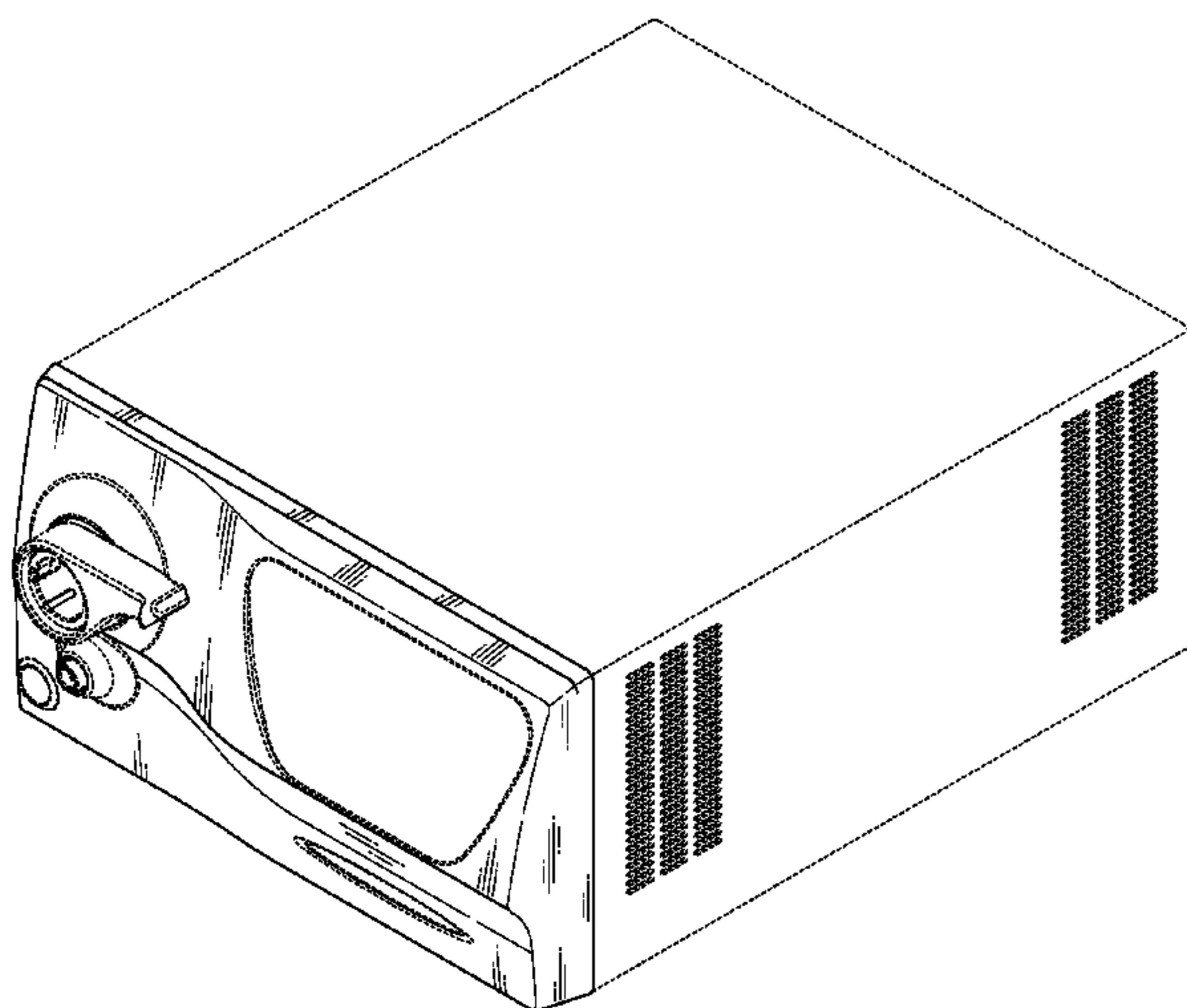


FIG.1

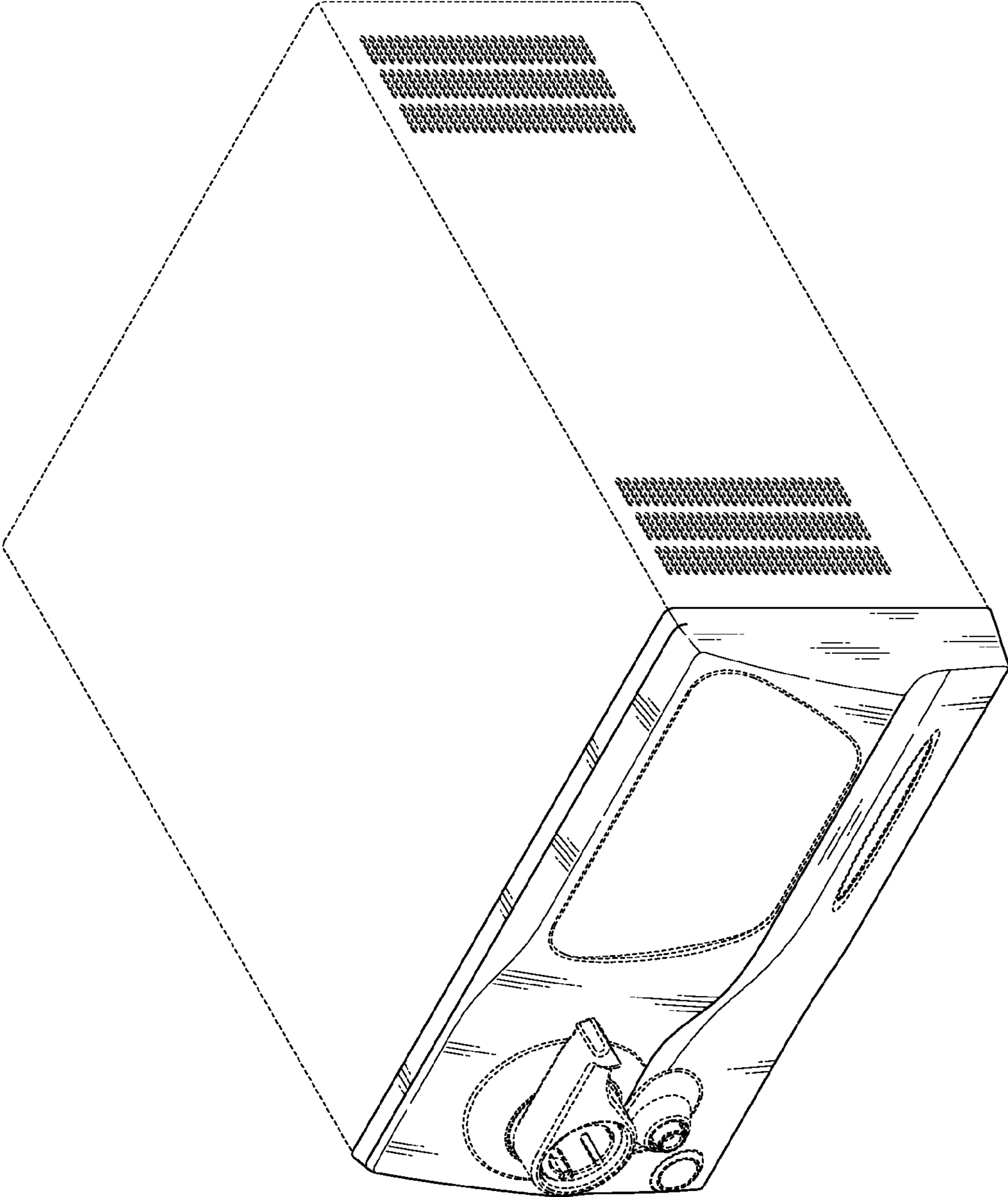


FIG.2

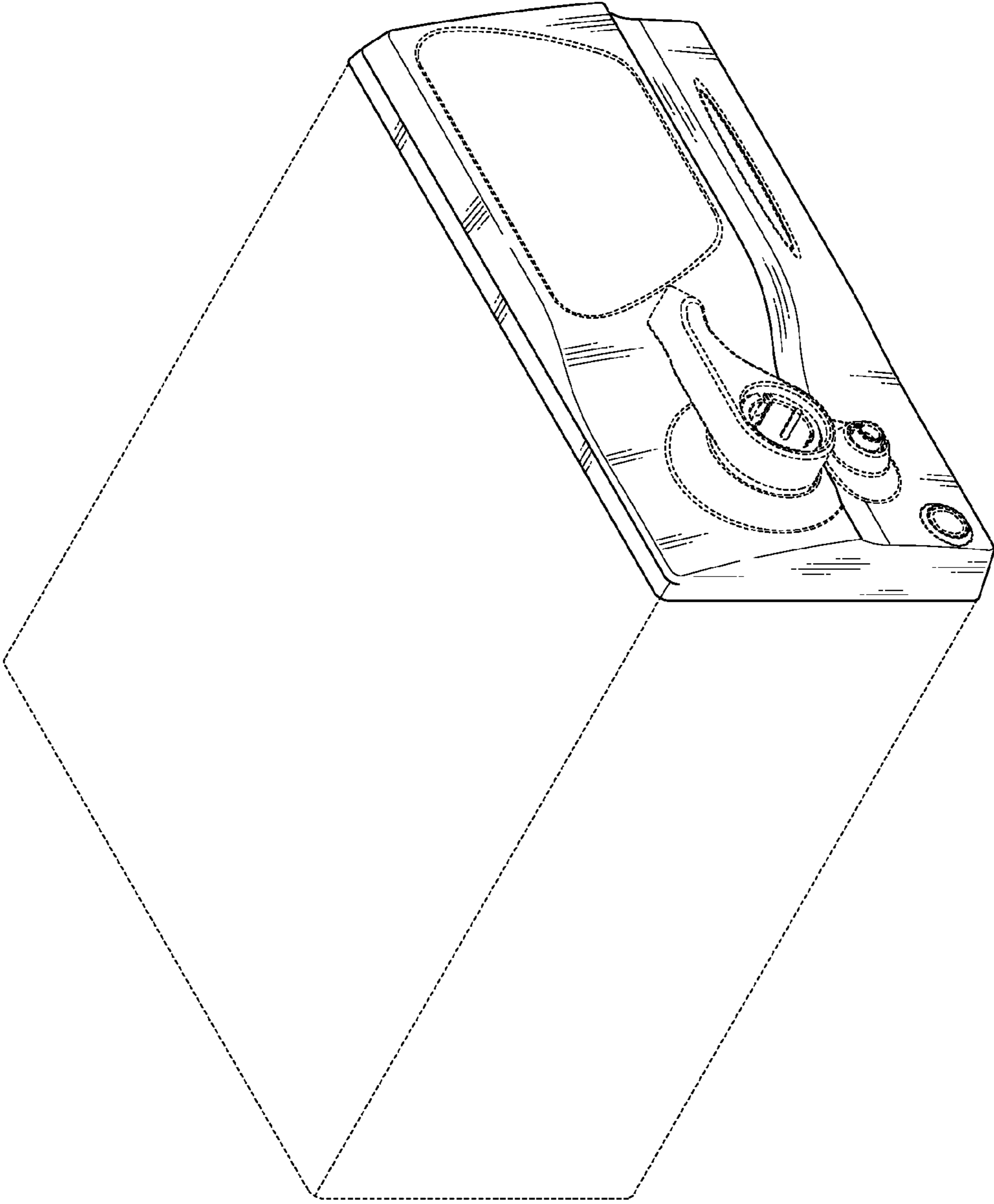


FIG.3

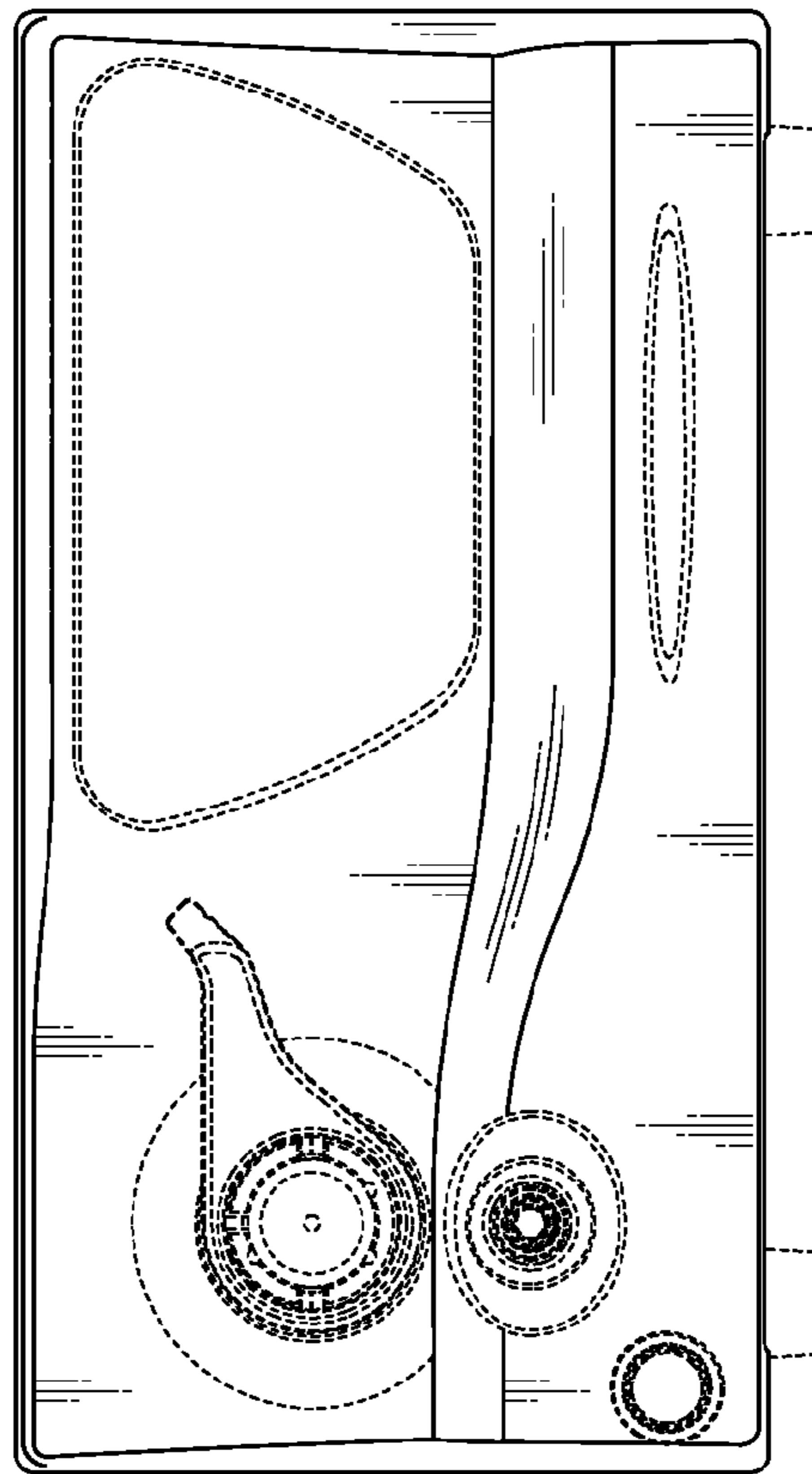


FIG.4

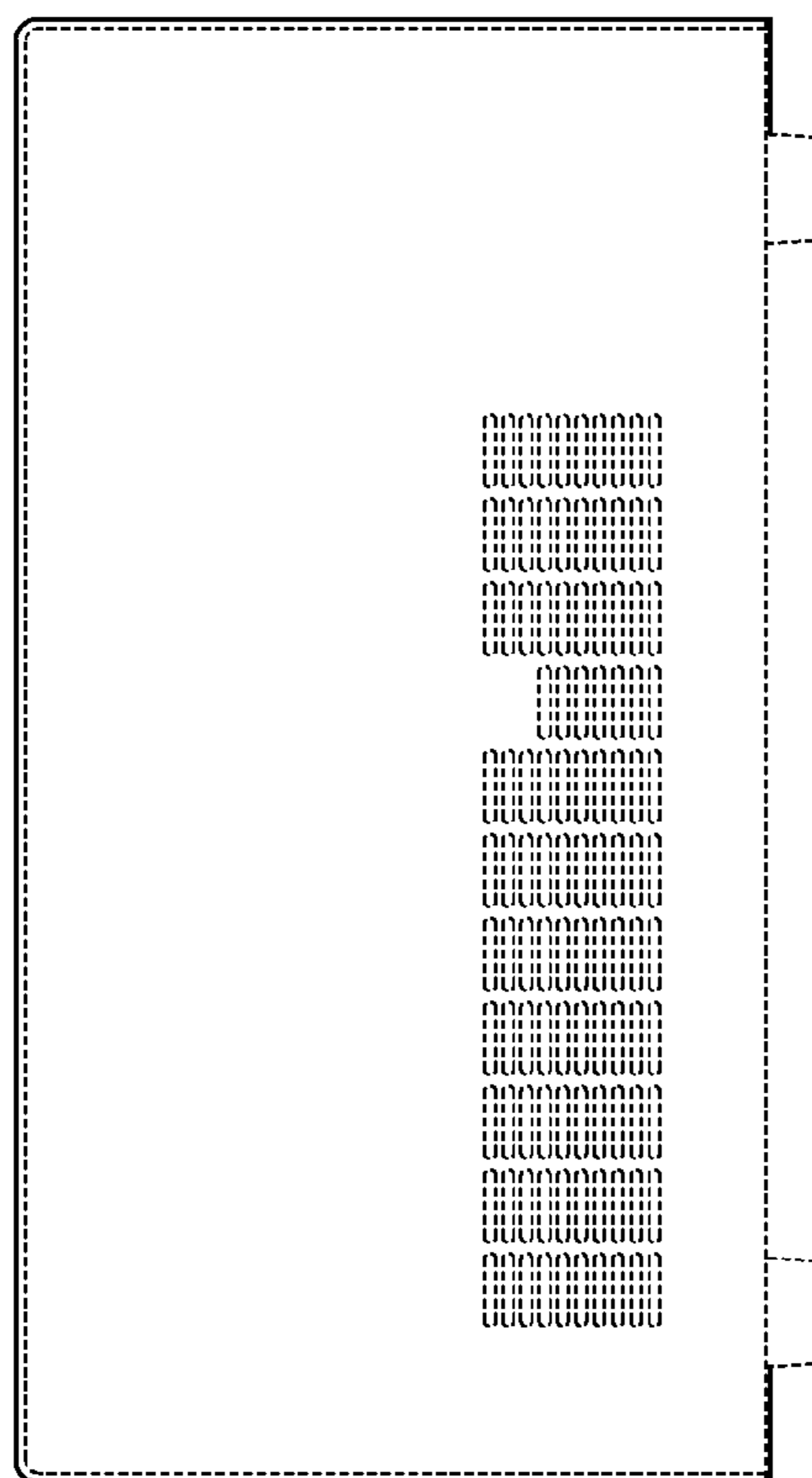


FIG. 5

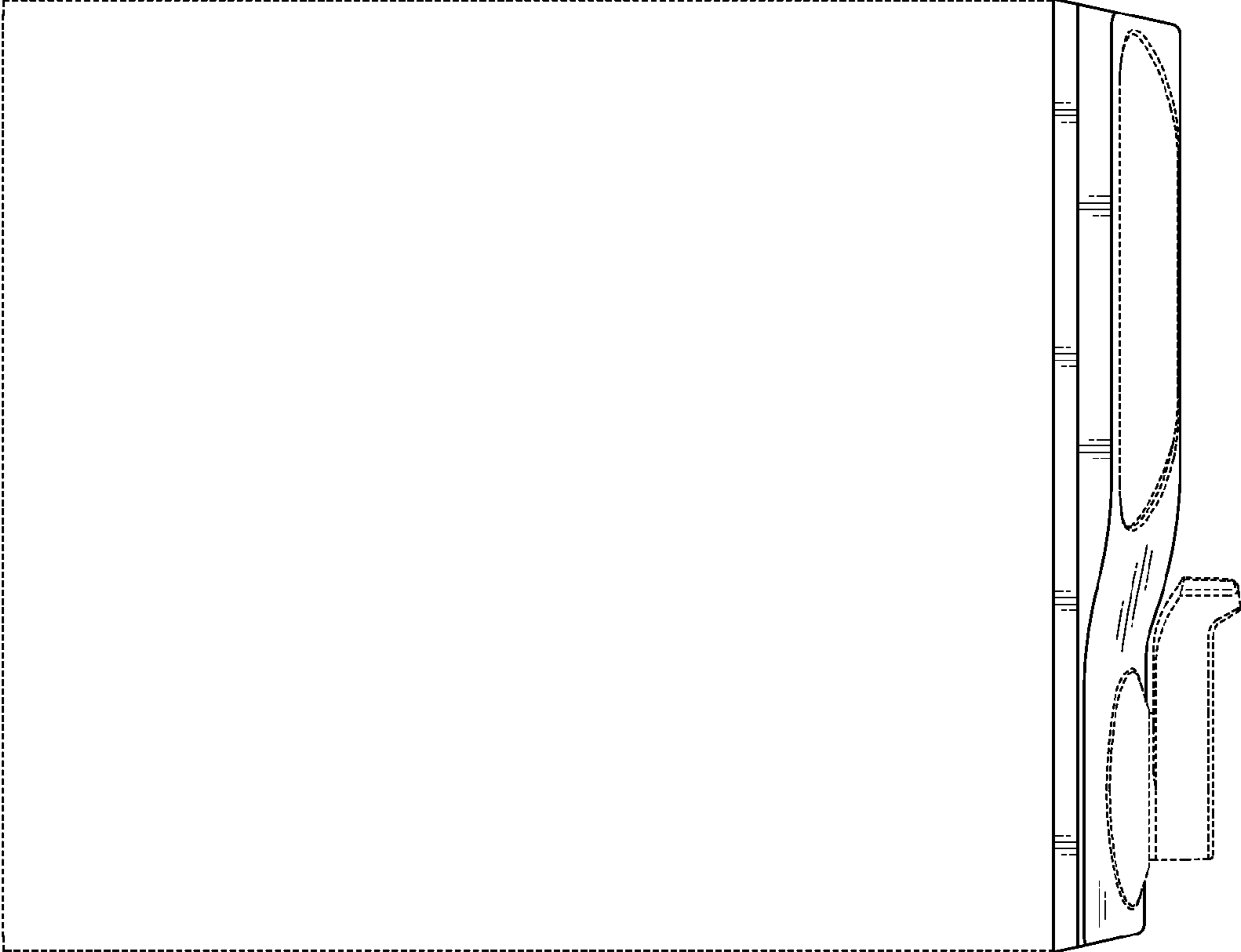


FIG.6

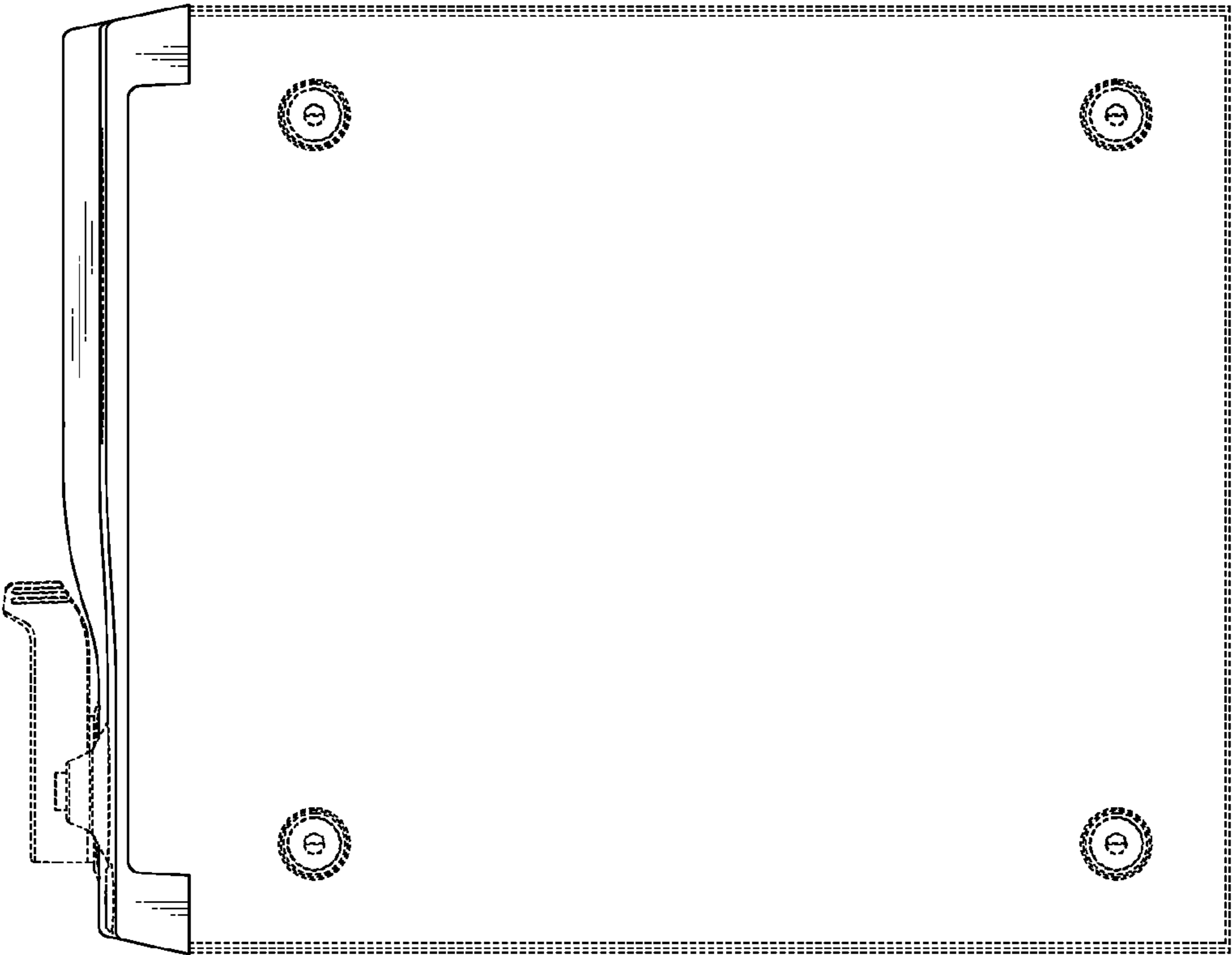


FIG. 7

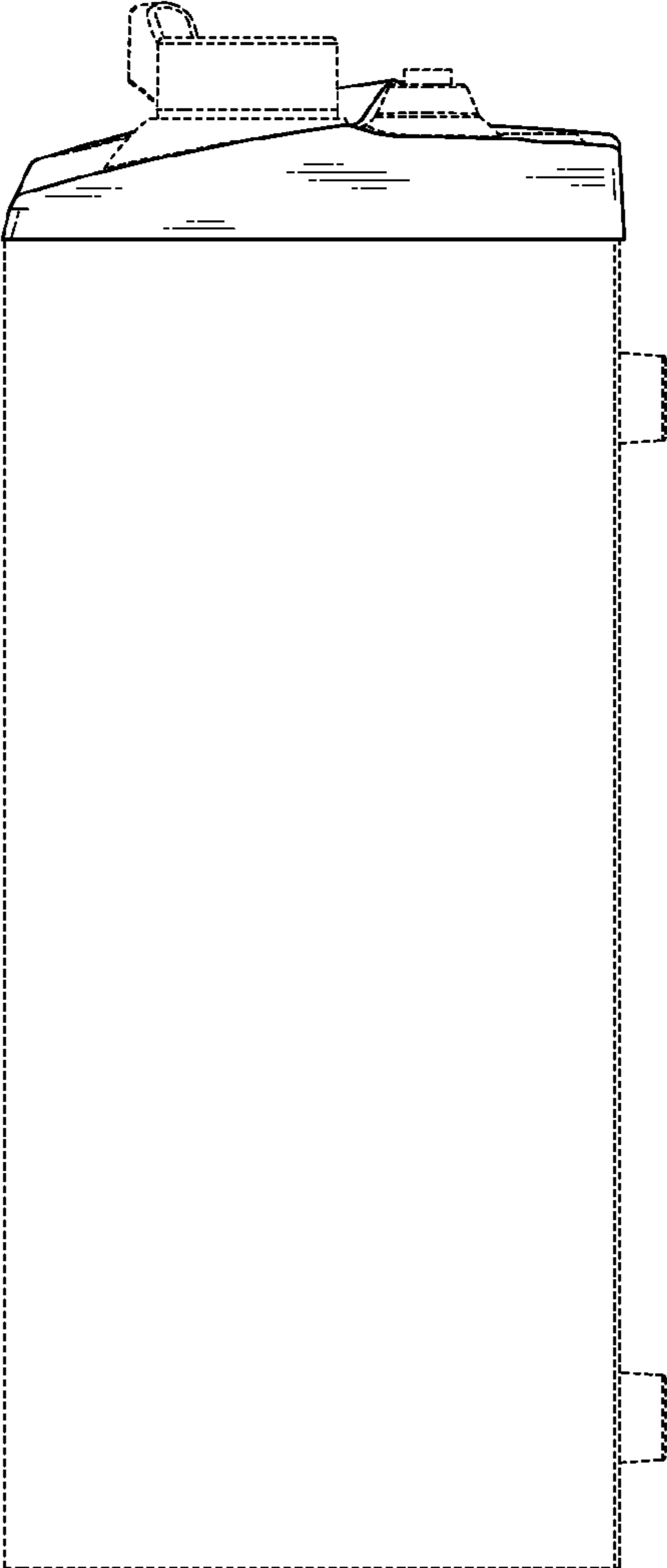


FIG.8

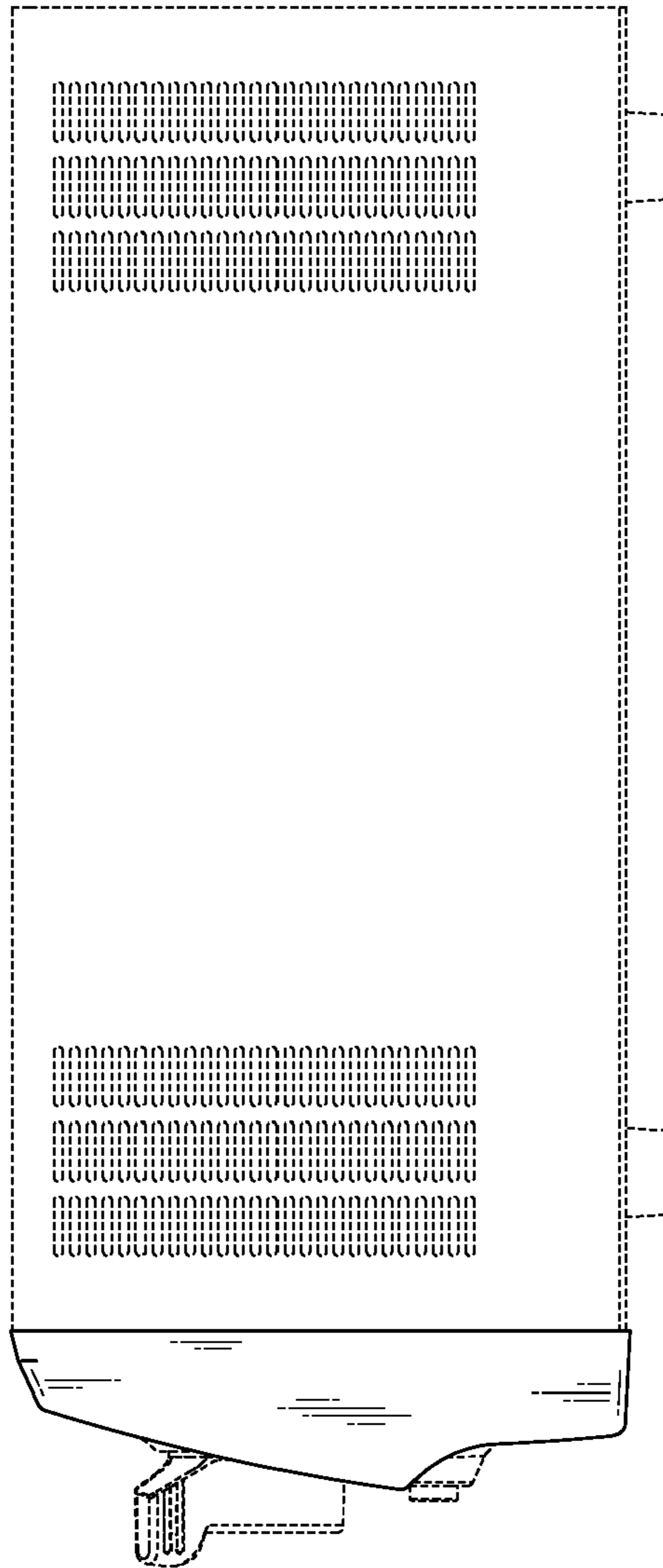
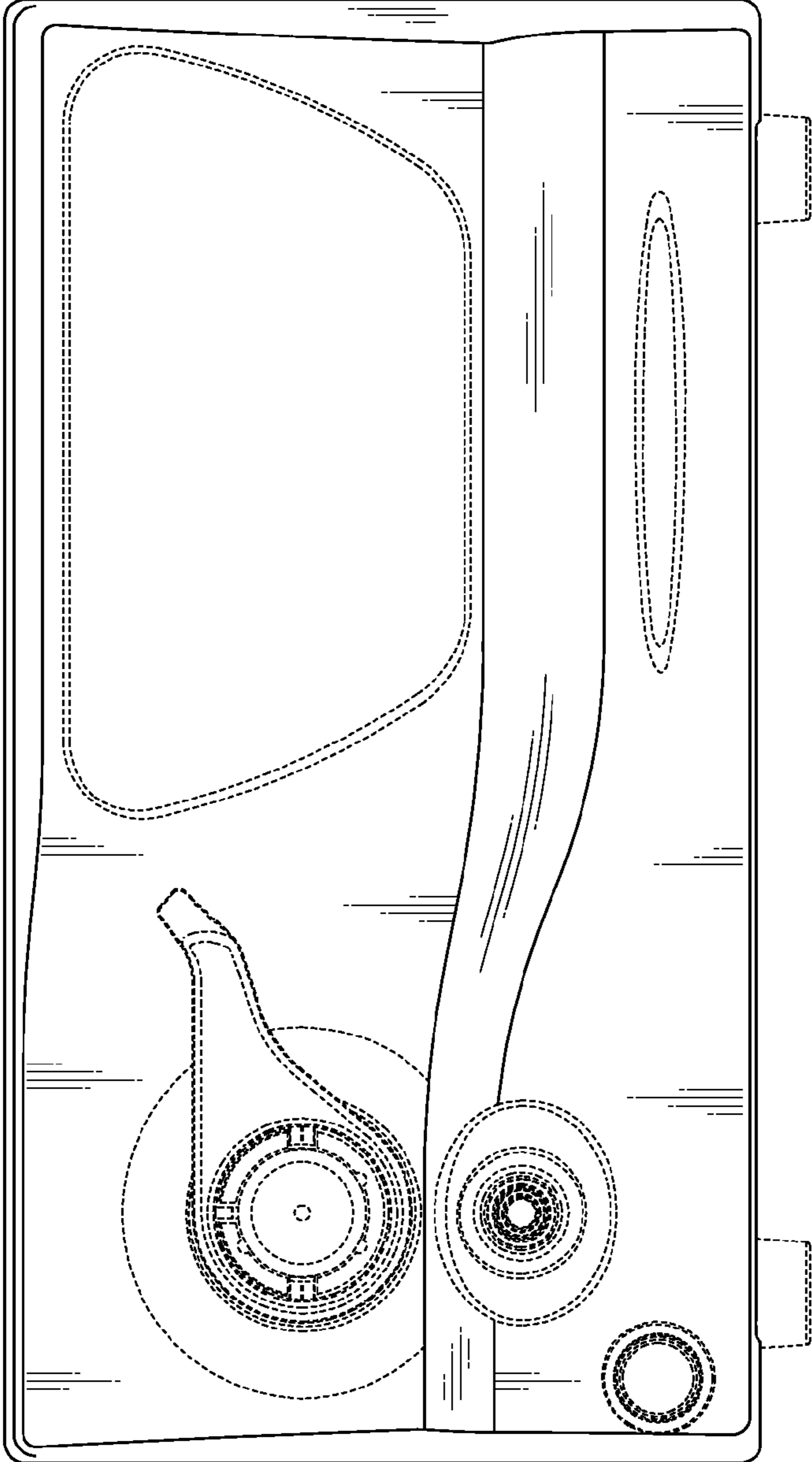


FIG.9



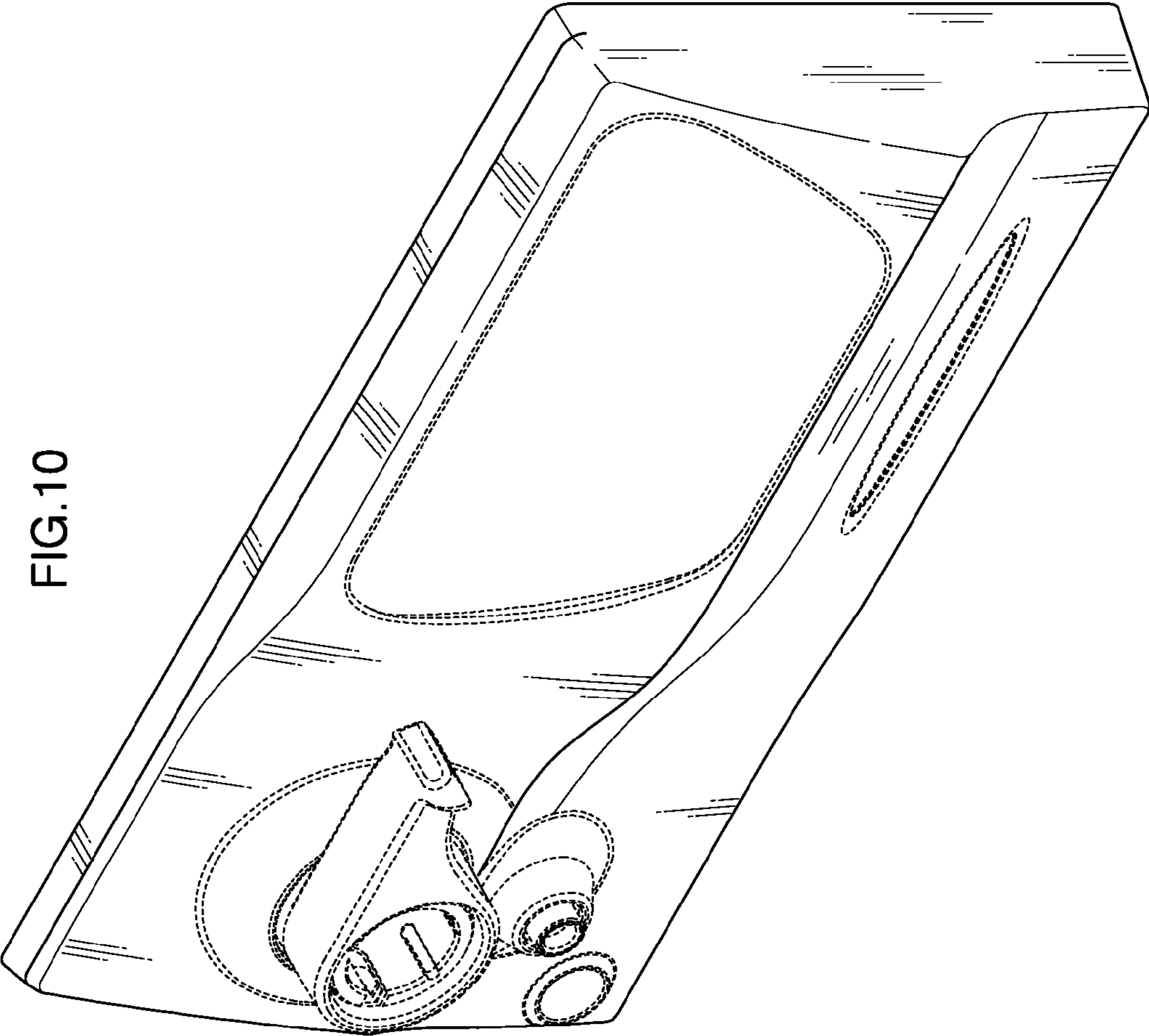


FIG. 10

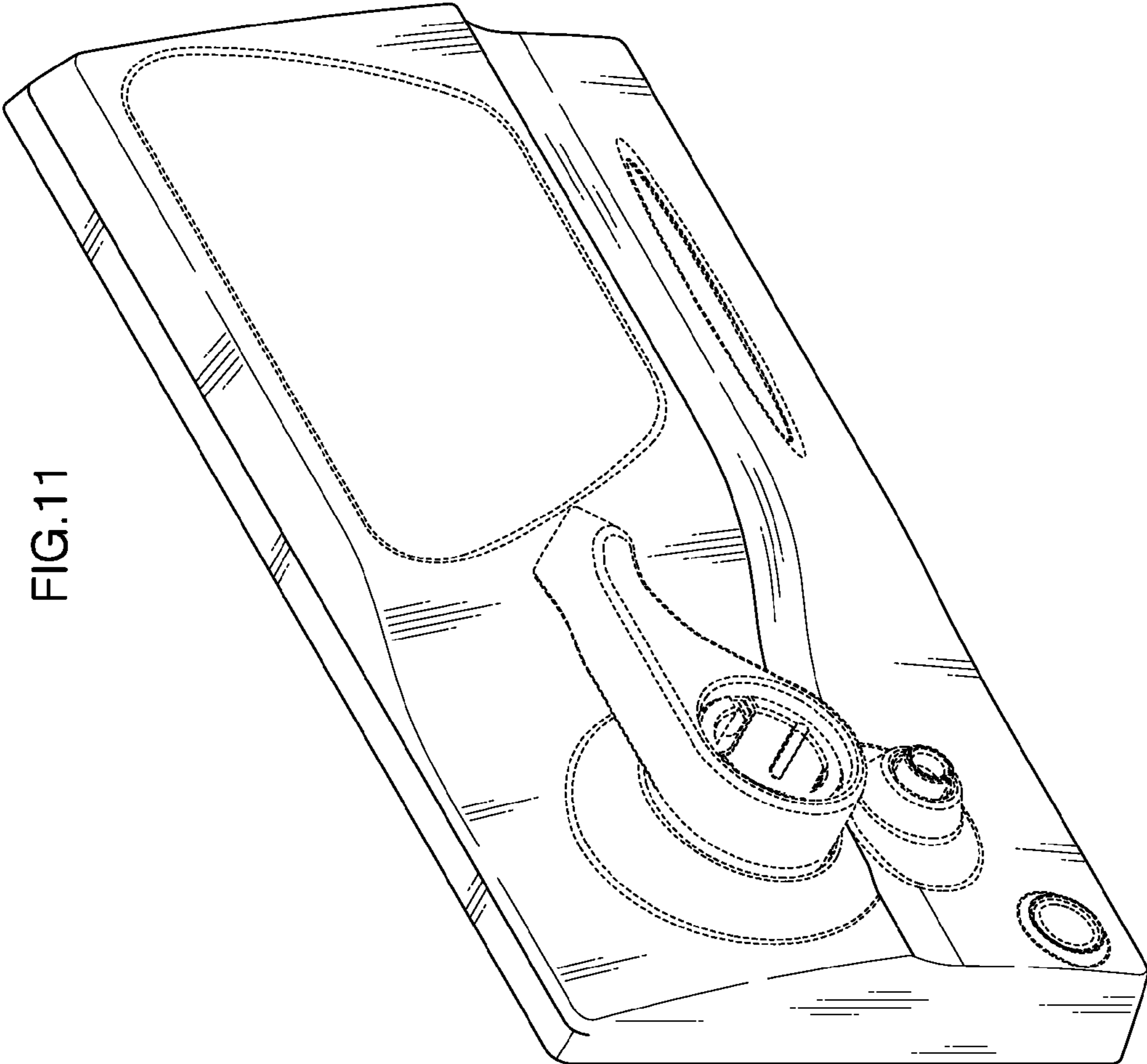


FIG. 11