



US00D643116S

(12) **United States Design Patent**
Harrington et al.

(10) **Patent No.:** **US D643,116 S**

(45) **Date of Patent:** **** Aug. 9, 2011**

(54) **TRACHEAL DILATOR**

(75) Inventors: **Roger Harrington**, Athlone (IE);
Alonzo W. Baker, Jr., Valencia, CA
(US); **Seamus Maguire**, Athlone (IE)

(73) Assignee: **Nellcor Puritan Bennett LLC**, Boulder,
CO (US)

(**) Term: **14 Years**

(21) Appl. No.: **29/380,067**

(22) Filed: **Nov. 30, 2010**

(51) **LOC (9) Cl.** **24-02**

(52) **U.S. Cl.** **D24/135**

(58) **Field of Classification Search** D24/133,
D24/135, 136; 606/191-199

See application file for complete search history.

(56) **References Cited**

U.S. PATENT DOCUMENTS

D266,787 S *	11/1982	Refer	D24/152
5,297,546 A *	3/1994	Spofford et al.	128/207.14
D497,668 S *	10/2004	Bogazzi	D24/133
D527,820 S *	9/2006	Solar et al.	D24/140
D582,035 S *	12/2008	Morrison	D24/135

2004/0122305 A1 *	6/2004	Grimm et al.	600/407
2004/0127888 A1 *	7/2004	O'Neil et al.	606/1
2006/0259065 A1 *	11/2006	Maryanka	606/199

* cited by examiner

Primary Examiner — Bridget L Eland

(74) *Attorney, Agent, or Firm* — Fletcher Yoder

(57) **CLAIM**

We claim the ornamental design for a tracheal dilator, as shown and described.

DESCRIPTION

FIG. 1 is a front/right/bottom perspective view of a tracheal dilator of the present invention;

FIG. 2 is a bottom view of the tracheal dilator of FIG. 1;

FIG. 3 is a top view of the tracheal dilator of FIG. 1;

FIG. 4 is a right side view of the tracheal dilator of FIG. 1, the left side view being a mirror image of the right side view shown;

FIG. 5 is a rear view of the tracheal dilator of FIG. 1; and,

FIG. 6 is a front view of the tracheal dilator of FIG. 1.

The dot dash broken lines immediately adjacent the shaded areas represent the bounds of the claimed design while all other evenly dashed broken lines are directed to environment and are for illustrative purposes only; the broken lines form no part of the claimed design.

1 Claim, 2 Drawing Sheets

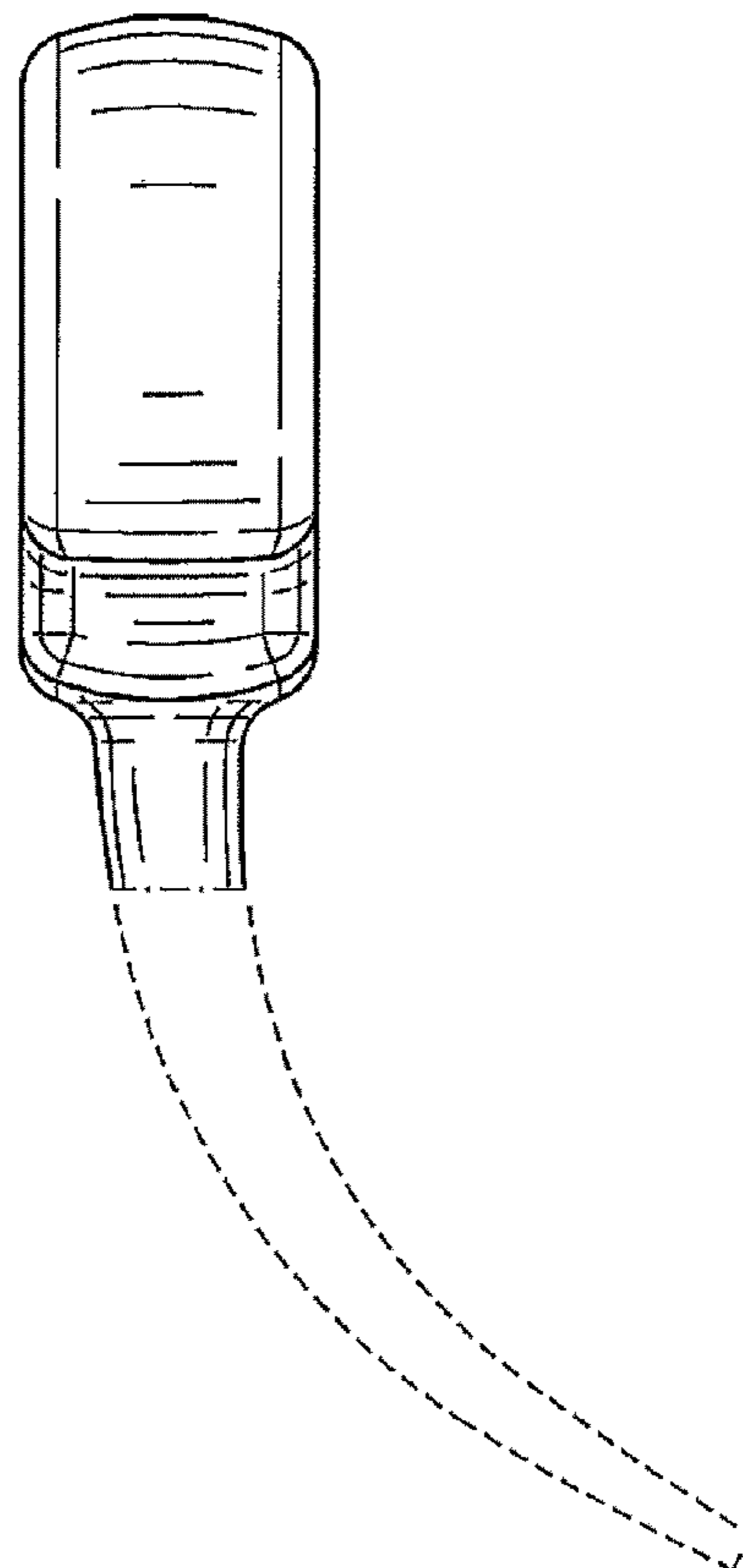
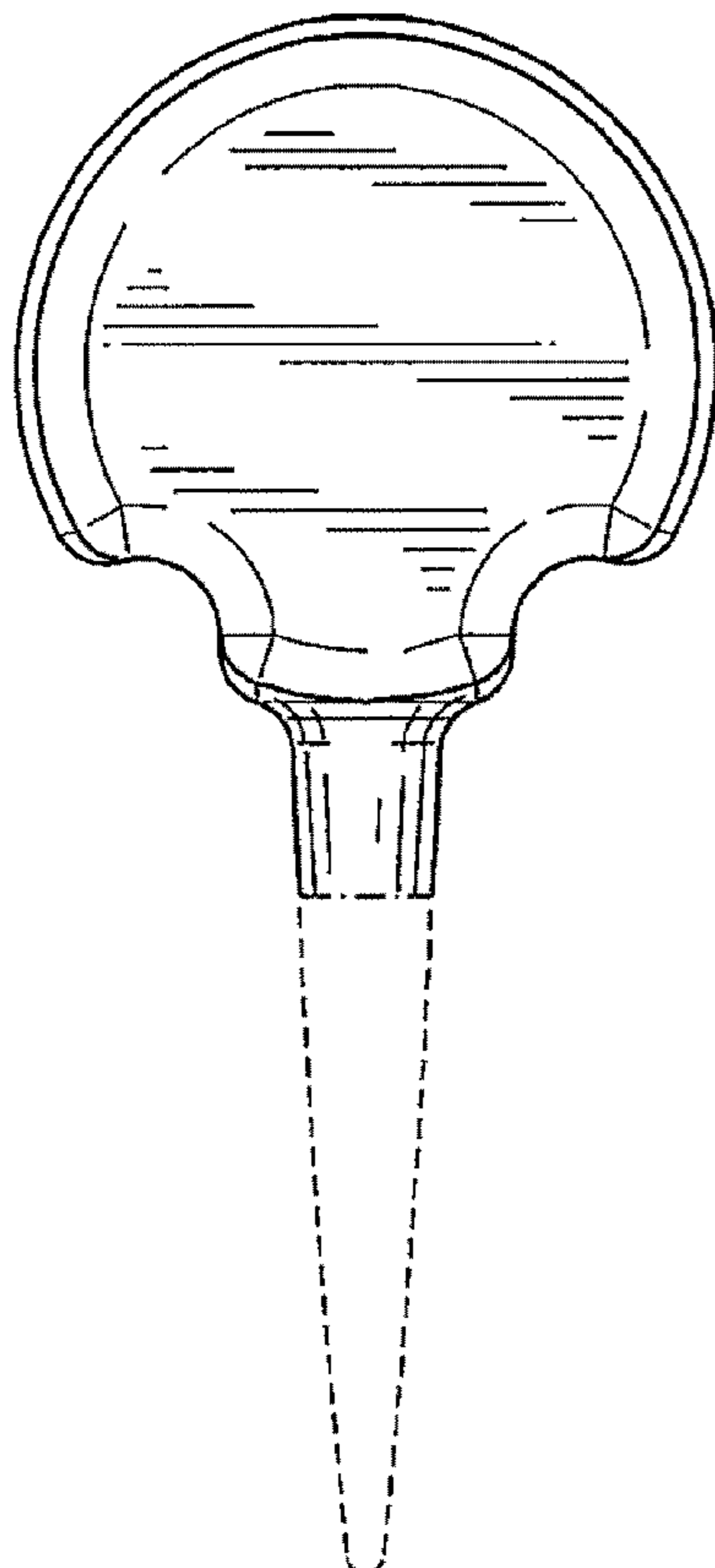


FIG. 1

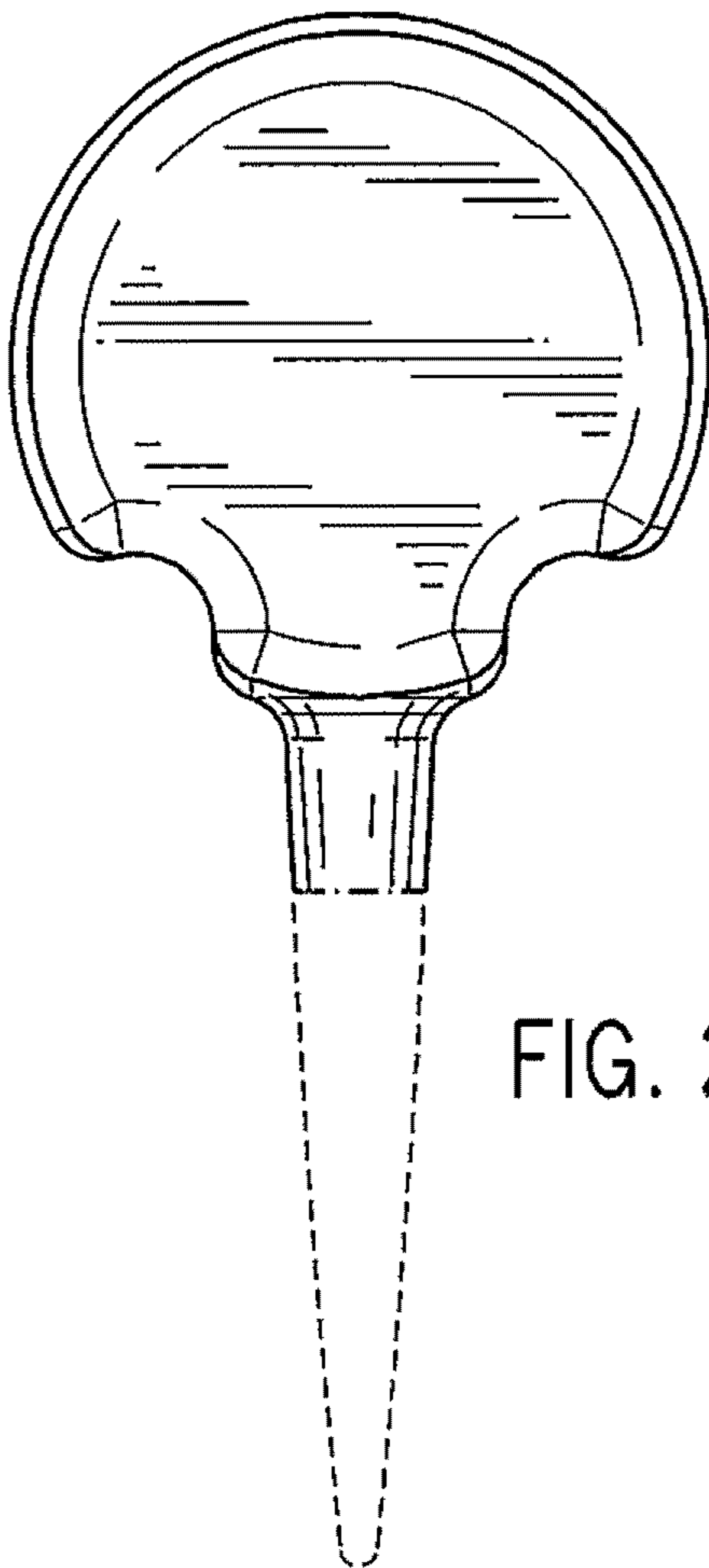
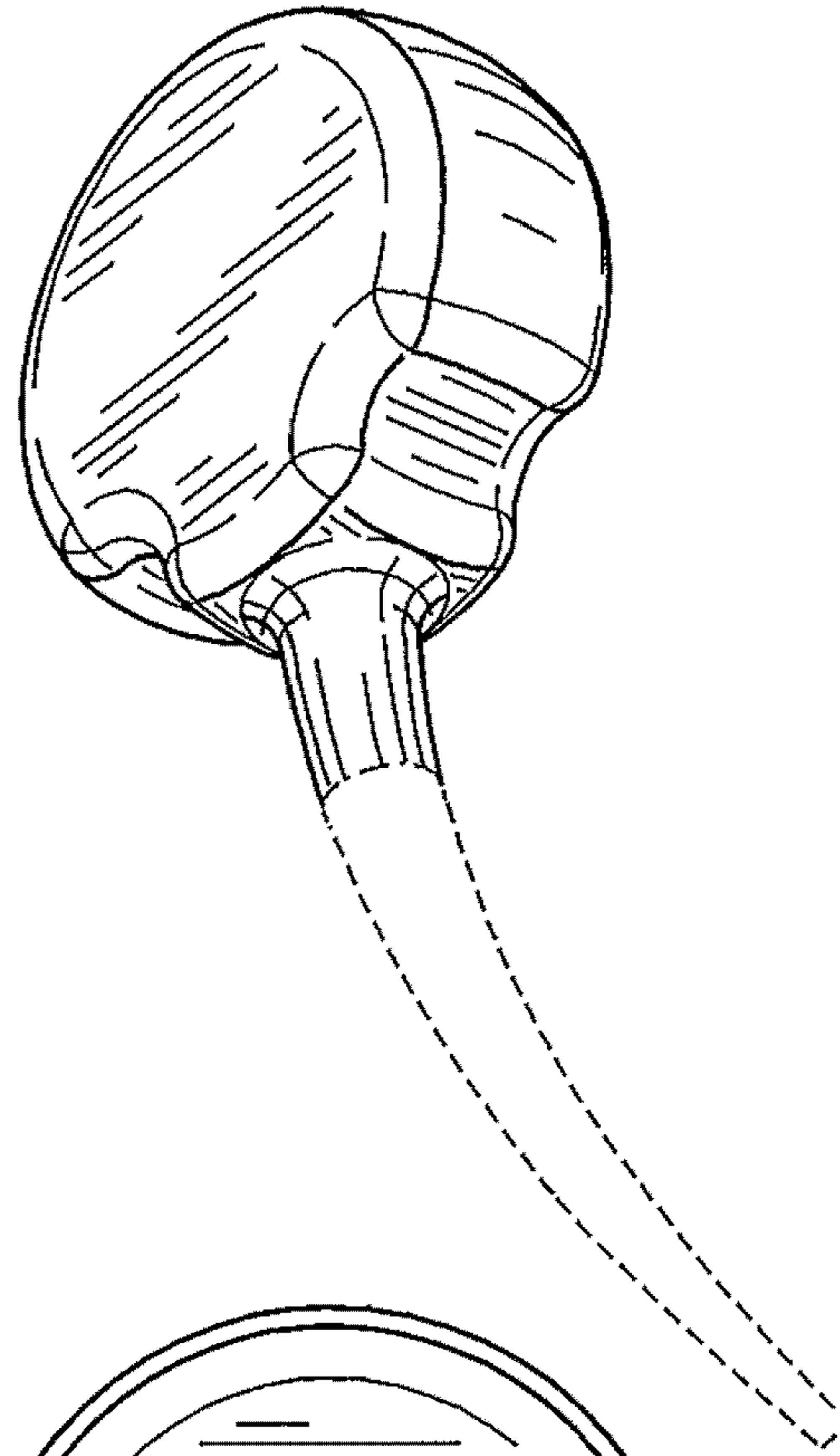


FIG. 2

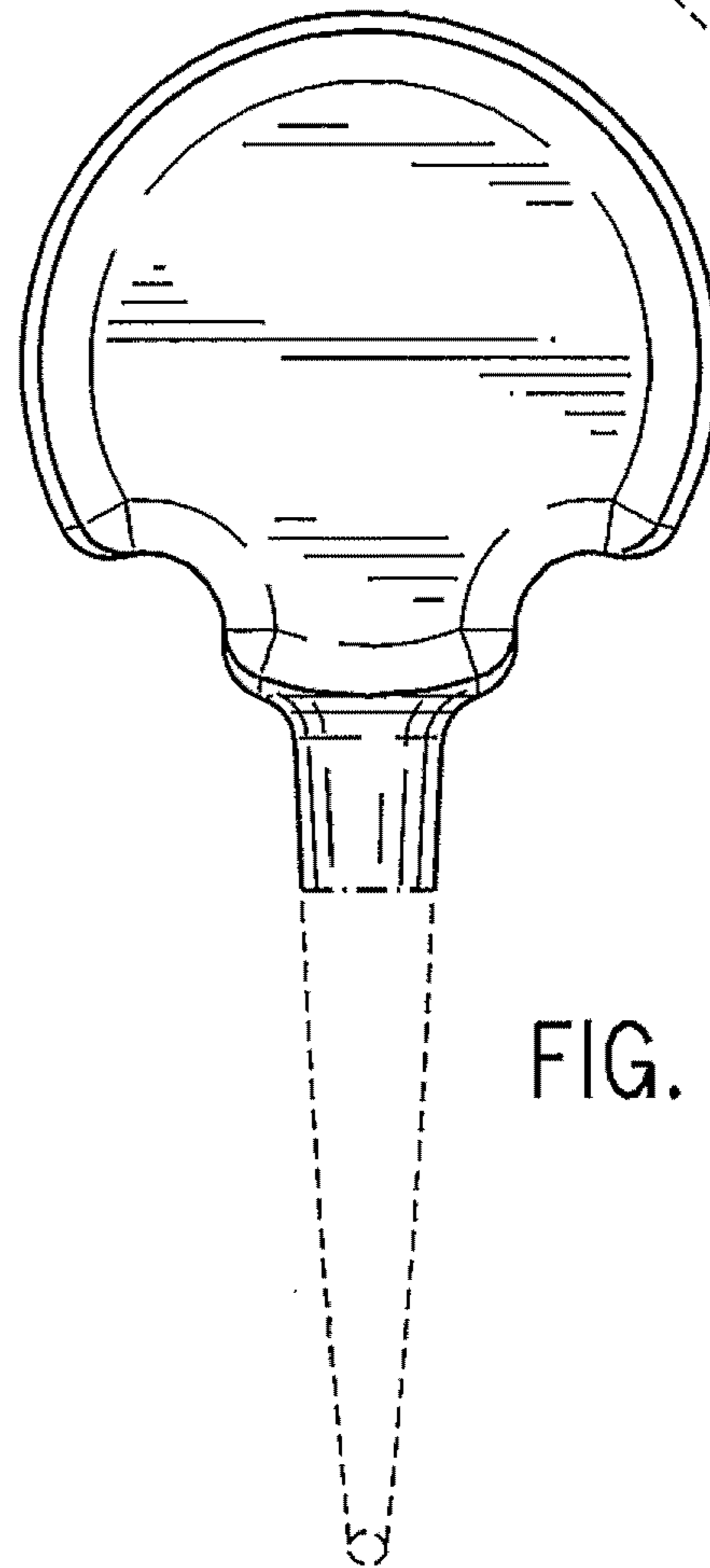


FIG. 3

FIG. 4

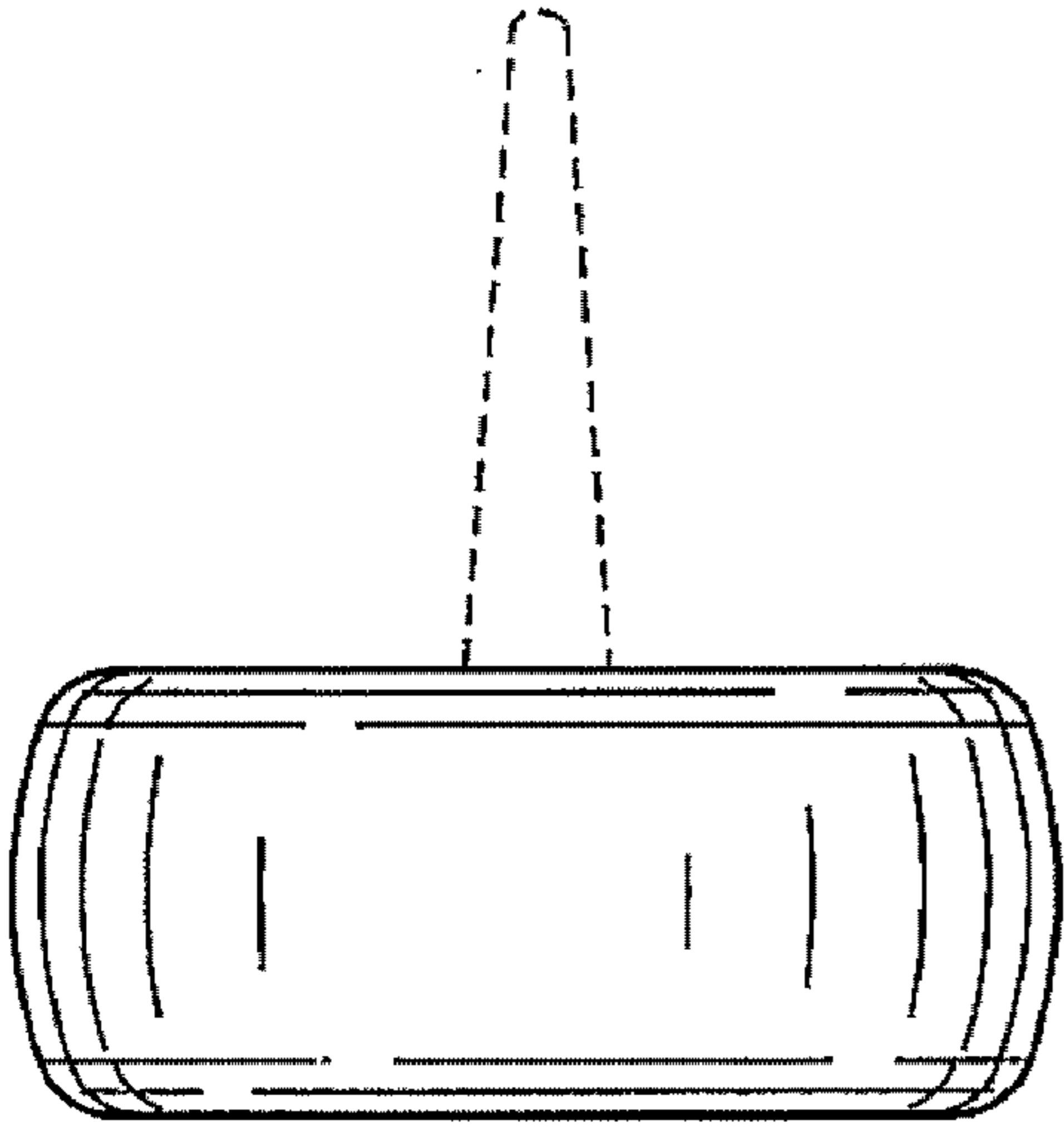
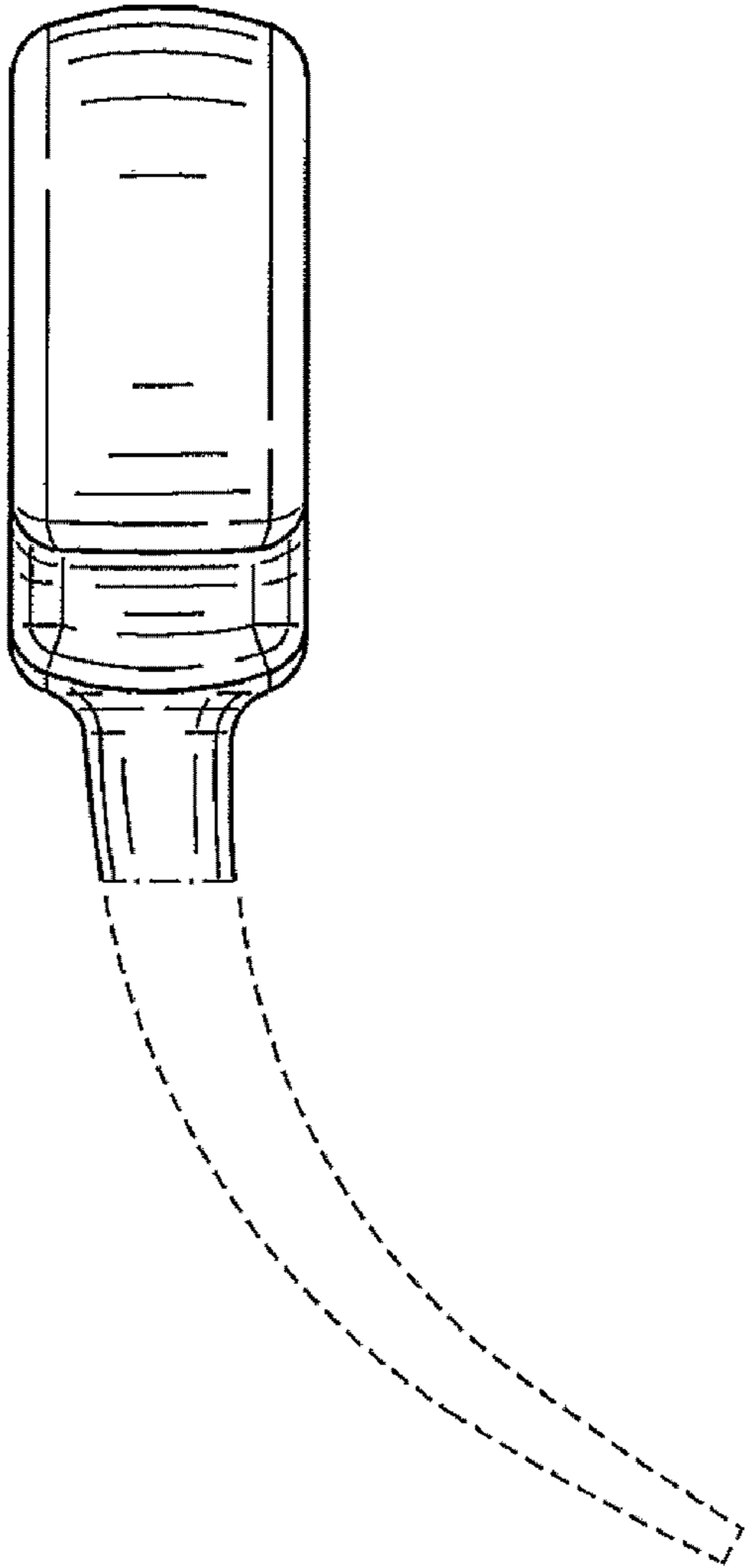


FIG. 5

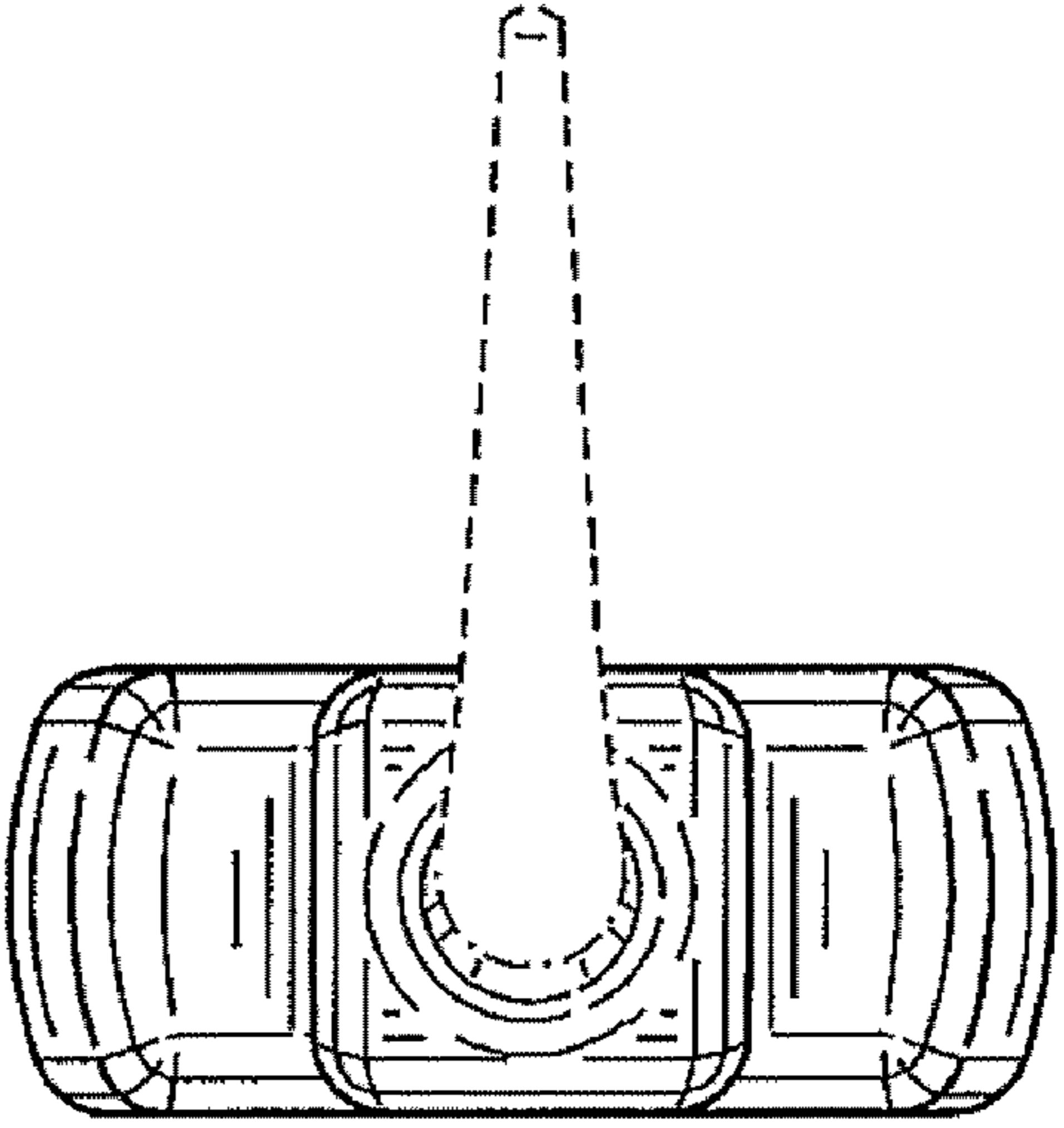


FIG. 6