



US00D643114S

(12) **United States Design Patent**
Virr et al.

(10) **Patent No.:** **US D643,114 S**
(45) **Date of Patent:** **** Aug. 9, 2011**

(54) **HUMIDIFIER TUB FOR HUMIDIFIER FOR POSITIVE AIRWAY PRESSURE DELIVERY DEVICE**

(75) Inventors: **Alexander Virr**, Balmain (AU); **Mark Bertinetti**, Ermington (AU); **Dan Kao**, Northbridge (AU)

(73) Assignee: **ResMed Limited**, Bella Vista (AU)

(**) Term: **14 Years**

(21) Appl. No.: **29/371,416**

(22) Filed: **Feb. 17, 2011**

Related U.S. Application Data

(62) Division of application No. 29/371,042, filed on Sep. 28, 2010, now Pat. No. Des. 635,232, which is a division of application No. 29/311,387, filed on Mar. 5, 2009, now Pat. No. Des. 626,642.

(51) **LOC (9) Cl.** **29-02**

(52) **U.S. Cl.** **D24/110**

(58) **Field of Classification Search** D24/110, D24/164; D23/355-366, 352, 369, 332, D23/333, 335, 336, 342, 351; 128/200.24, 128/200.23, 200.22, 200.16, 200.14, 203.16, 128/203.17, 204.18, 204.23; 422/120, 122; 55/356, 473, 504, 312; 96/97; D14/188, D14/170, 172; D32/31; D15/5

See application file for complete search history.

(56) **References Cited**

U.S. PATENT DOCUMENTS

D305,562 S	1/1990	Martinez
5,464,460 A	11/1995	Bosses
D374,479 S	10/1996	Bucher et al.
D377,212 S	1/1997	Moore
D384,452 S	9/1997	Wareham
D419,658 S	1/2000	Matchett et al.

D427,675 S	7/2000	Hansel
6,131,958 A	10/2000	Craig
D468,011 S	12/2002	Lithgow et al.
D468,497 S	1/2003	Lovely, Jr.
D475,165 S	5/2003	Biere et al.
D479,876 S	9/2003	Gradon et al.
D488,270 S	4/2004	Biere et al.
D492,759 S *	7/2004	Yoshida D23/364
D493,520 S *	7/2004	Bertinetti et al. D24/110
D498,527 S *	11/2004	Virr et al. D24/110
D503,796 S *	4/2005	Lithgow et al. D24/110

(Continued)

OTHER PUBLICATIONS

Virr et al., Parent U.S. Appl. No. 29/371,042, filed Sep. 28, 2010.

Primary Examiner — David Muller

(74) *Attorney, Agent, or Firm* — Nixon & Vanderhye P.C.

(57) **CLAIM**

The ornamental design for a humidifier tub for a humidifier for a positive airway pressure delivery device, as shown and described.

DESCRIPTION

FIG. 1 is a perspective view of a humidifier tub for a humidifier for a positive airway pressure delivery device according to our design;

FIG. 2 is a front view thereof;

FIG. 3 is a rear view thereof;

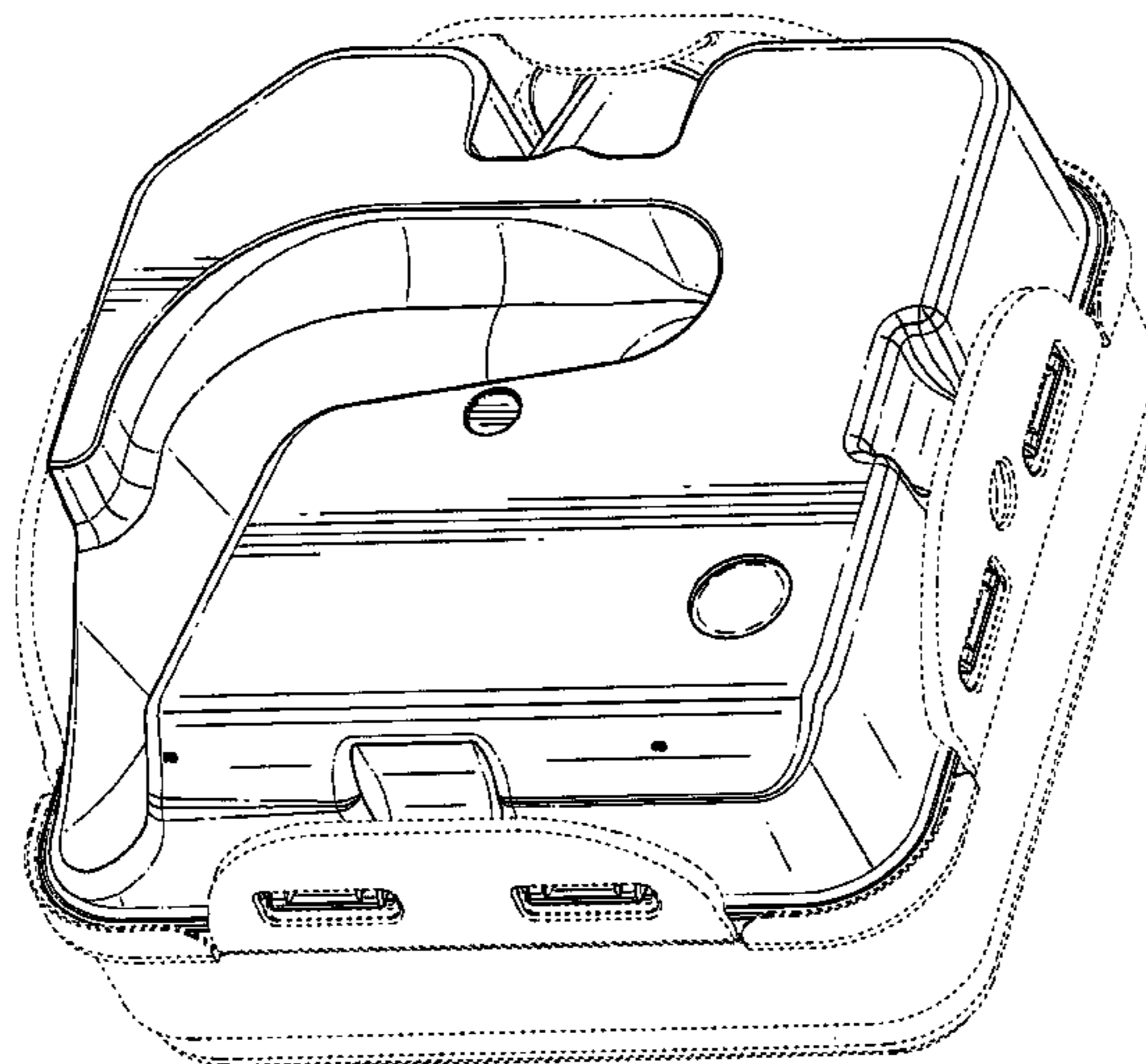
FIG. 4 is a top view thereof;

FIG. 5 is a left side view thereof; and,

FIG. 6 is a right side view thereof.

The closely spaced broken lines of the humidifier tub represent environmental structure and do not form a part of the claimed design. The more widely spaced broken lines within the circular openings in the top of the humidifier tub in FIGS. 1 and 4 represent the border between claimed and unclaimed subject matter and do not form a part of the claimed design. None of the broken lines form any part of the claimed design.

1 Claim, 4 Drawing Sheets



US D643,114 S

Page 2

U.S. PATENT DOCUMENTS

D517,672 S	3/2006	Schmitt et al.	
D525,991 S *	8/2006	Walters	D15/5
D528,655 S	9/2006	Clawson	
D529,514 S *	10/2006	Maeda et al.	D15/5
D536,441 S	2/2007	Garren et al.	
D548,750 S *	8/2007	Neeley et al.	D15/5
D553,228 S	10/2007	Virr et al.	
D556,908 S	12/2007	Jones et al.	
D557,407 S	12/2007	Lithgow et al.	
D559,483 S	1/2008	Matter et al.	
D561,891 S *	2/2008	Lithgow et al.	D24/110
D578,204 S *	10/2008	Lithgow et al.	D24/110
D585,459 S	1/2009	Jing	
D585,540 S	1/2009	Lithgow et al.	
D593,190 S	5/2009	Glass	
D605,273 S *	12/2009	Mallet-Roulon	D23/364
D605,285 S	12/2009	Garren et al.	
D612,480 S	3/2010	Cork et al.	
D626,642 S	11/2010	Virr et al.	
D630,310 S *	1/2011	Beland et al.	D23/356
2003/0029143 A1 *	2/2003	Arden et al.	55/312
2003/0029145 A1 *	2/2003	Sudoh	55/497
2003/0182907 A1	10/2003	Steele	

* cited by examiner

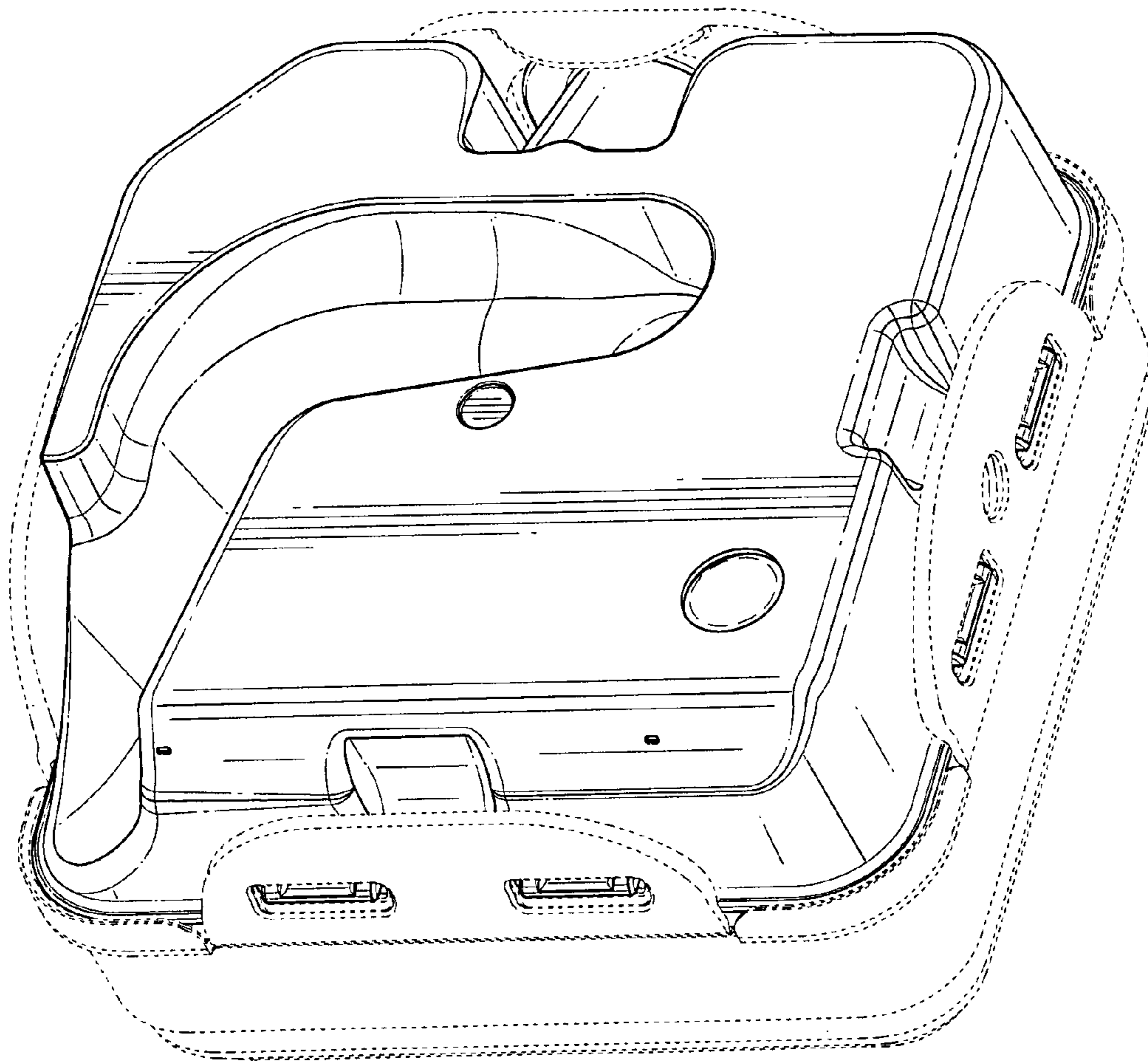


Figure 1

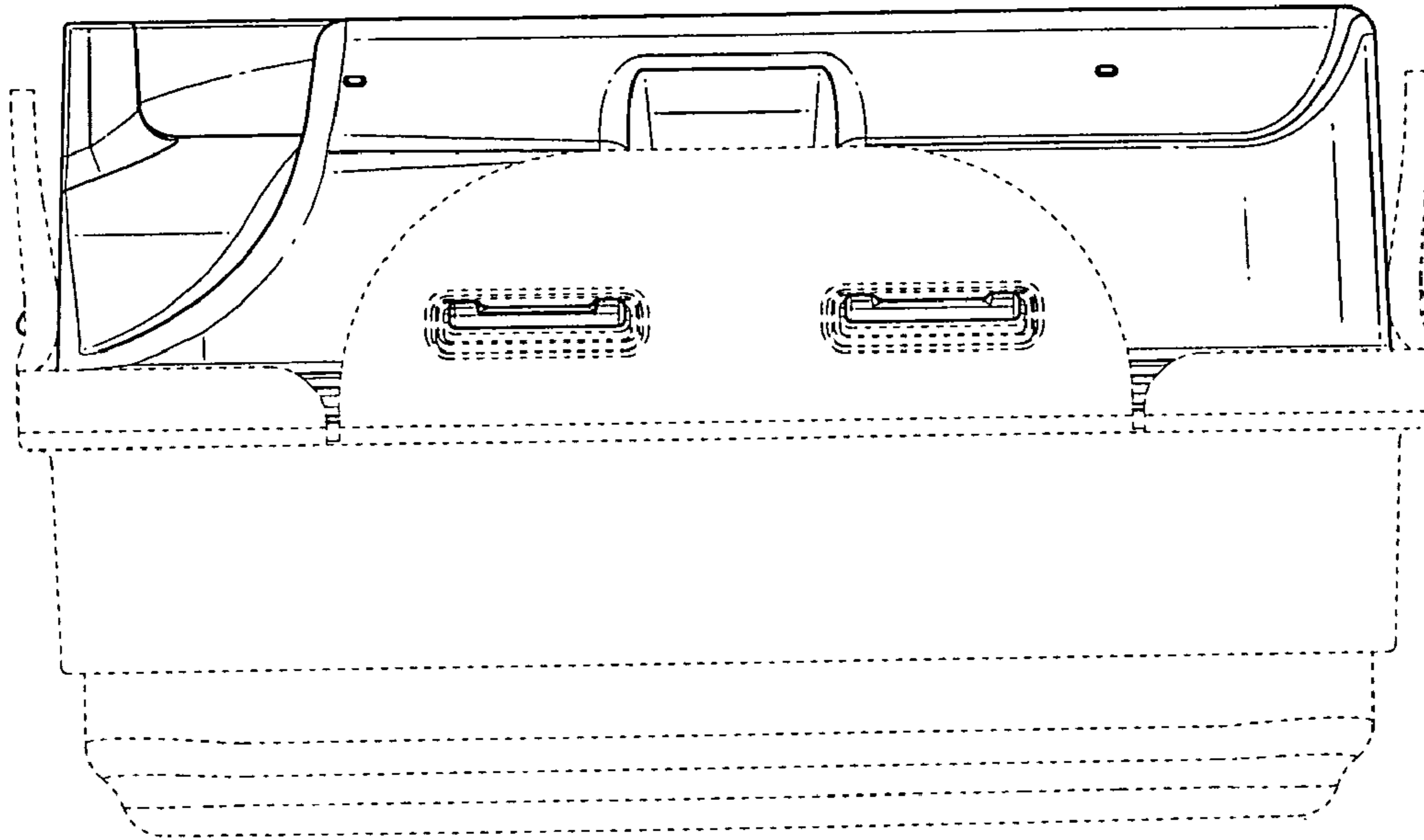


Figure 2

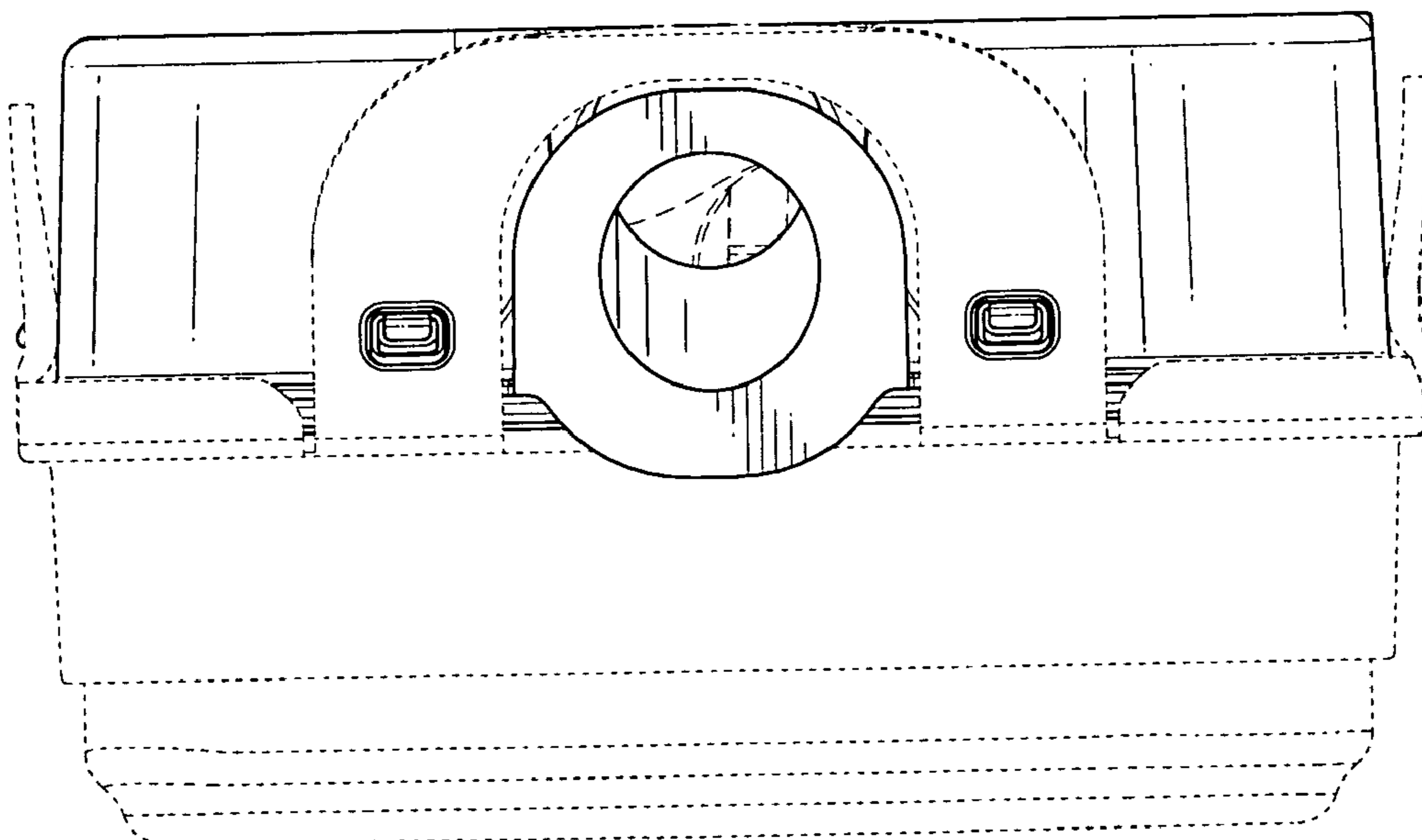


Figure 3

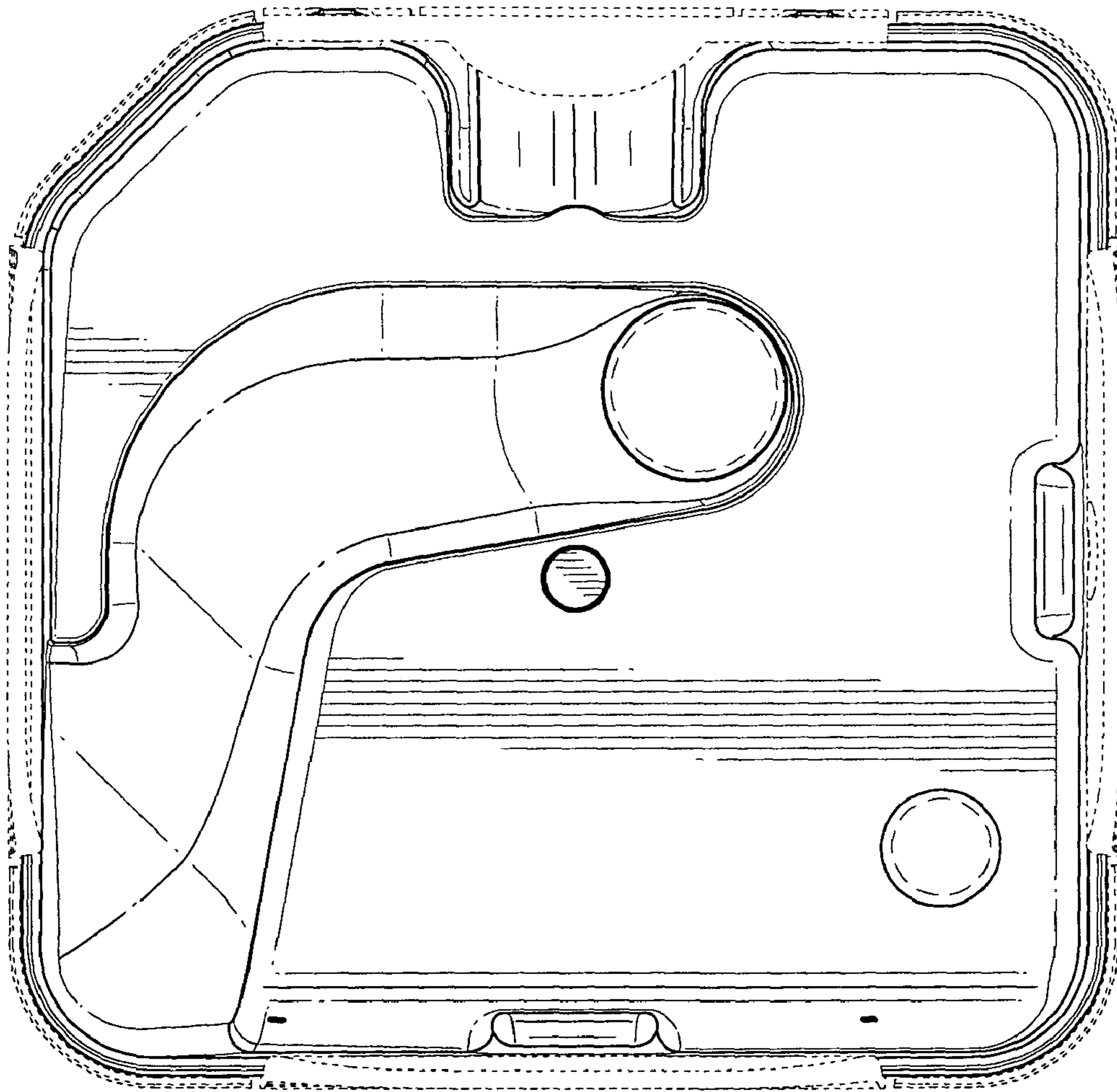


Figure 4

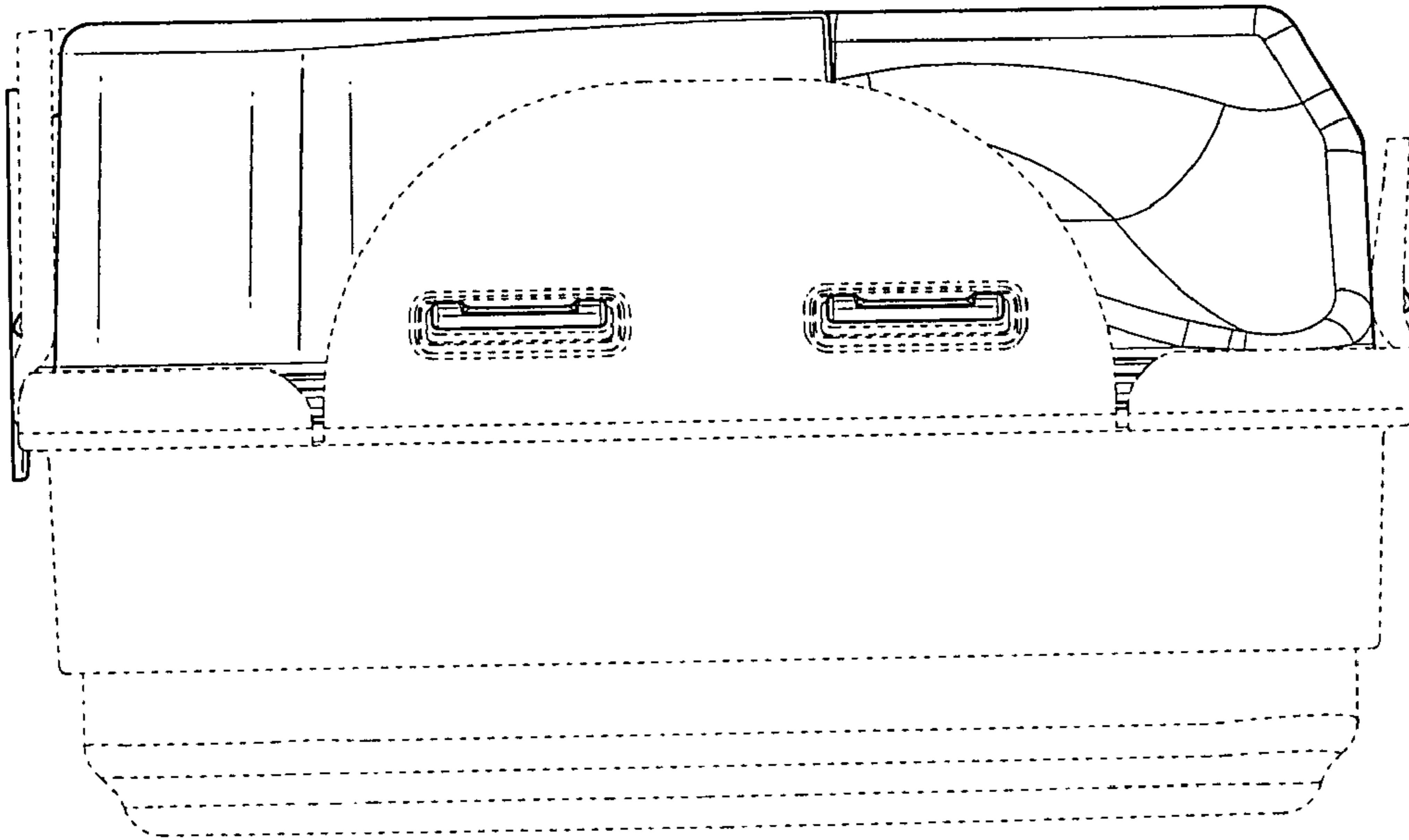


Figure 5

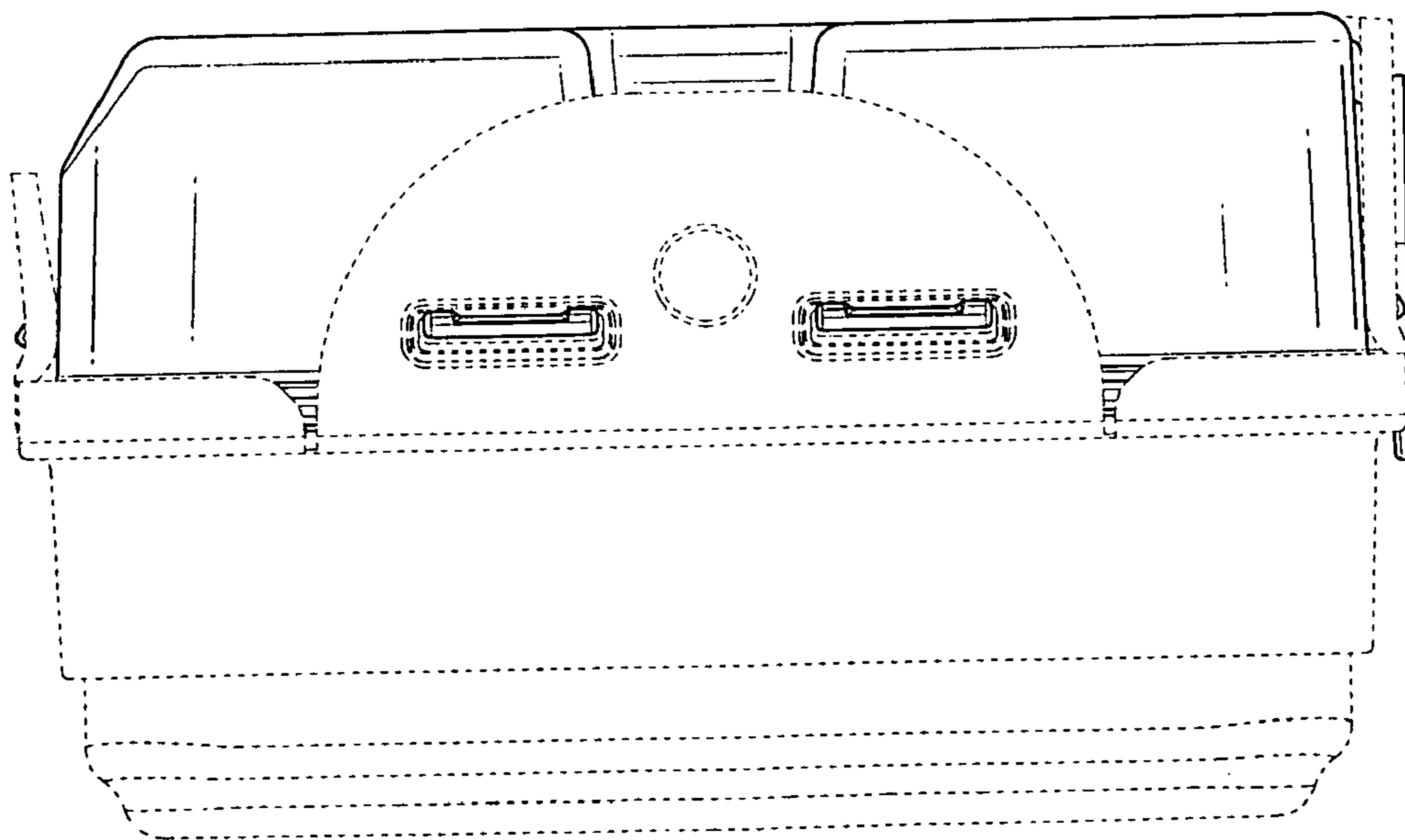


Figure 6