



US00D643105S

(12) **United States Design Patent**
Orozco

(10) **Patent No.:** **US D643,105 S**
(45) **Date of Patent:** **** Aug. 9, 2011**

(54) **CEILING FAN**

(75) Inventor: **Sergio Orozco**, New York, NY (US)

(73) Assignee: **Chien Luen Industries Co., Ltd., Inc.**,
Oakland Park, FL (US)

(**) Term: **14 Years**

(21) Appl. No.: **29/315,923**

(22) Filed: **Aug. 6, 2009**

D564,652 S	3/2008	Pan	
D566,258 S	4/2008	Bucher et al.	
D566,259 S	4/2008	Bucher et al.	
D567,357 S	4/2008	Curtin	
D567,359 S	4/2008	Teiber et al.	
D568,982 S	5/2008	Hidalgo	
D572,814 S	7/2008	Bucher et al.	
D575,863 S	8/2008	Bucher et al.	
D577,116 S	9/2008	Orozco	
D580,045 S	11/2008	Orozco	
D586,452 S	2/2009	Orozco	
D598,091 S *	8/2009	Orozco D23/377

* cited by examiner

Related U.S. Application Data

(62) Division of application No. 29/328,769, filed on Dec. 2, 2008, now Pat. No. Des. 598,091.

(51) **LOC (9) Cl.** **23-04**

(52) **U.S. Cl.** **D23/377**

(58) **Field of Classification Search** D23/377,
D23/379, 385, 411; D26/59, 81-86, 72,
D26/51; 362/96

See application file for complete search history.

Primary Examiner — Lisa Lichtenstein

(74) *Attorney, Agent, or Firm* — Brian S. Steinberger; Law Offices of Brian S. Steinberger, P.A.

(57) **CLAIM**

The ornamental design for a ceiling fan, as shown.

DESCRIPTION

FIG. 1 is a lower front side perspective view of a ceiling fan. FIG. 2 is an upper front side perspective view of the design of FIG. 1.

FIG. 3 is a front side view of the design of FIG. 1.

FIG. 4 is a rear side view of the design of FIG. 1.

FIG. 5 is a left side view of the design of FIG. 1.

FIG. 6 is a right side view of the design of FIG. 1.

FIG. 7 is a reduced top view of the design of FIG. 1; and,

FIG. 8 is a reduced bottom view of the design of FIG. 1.

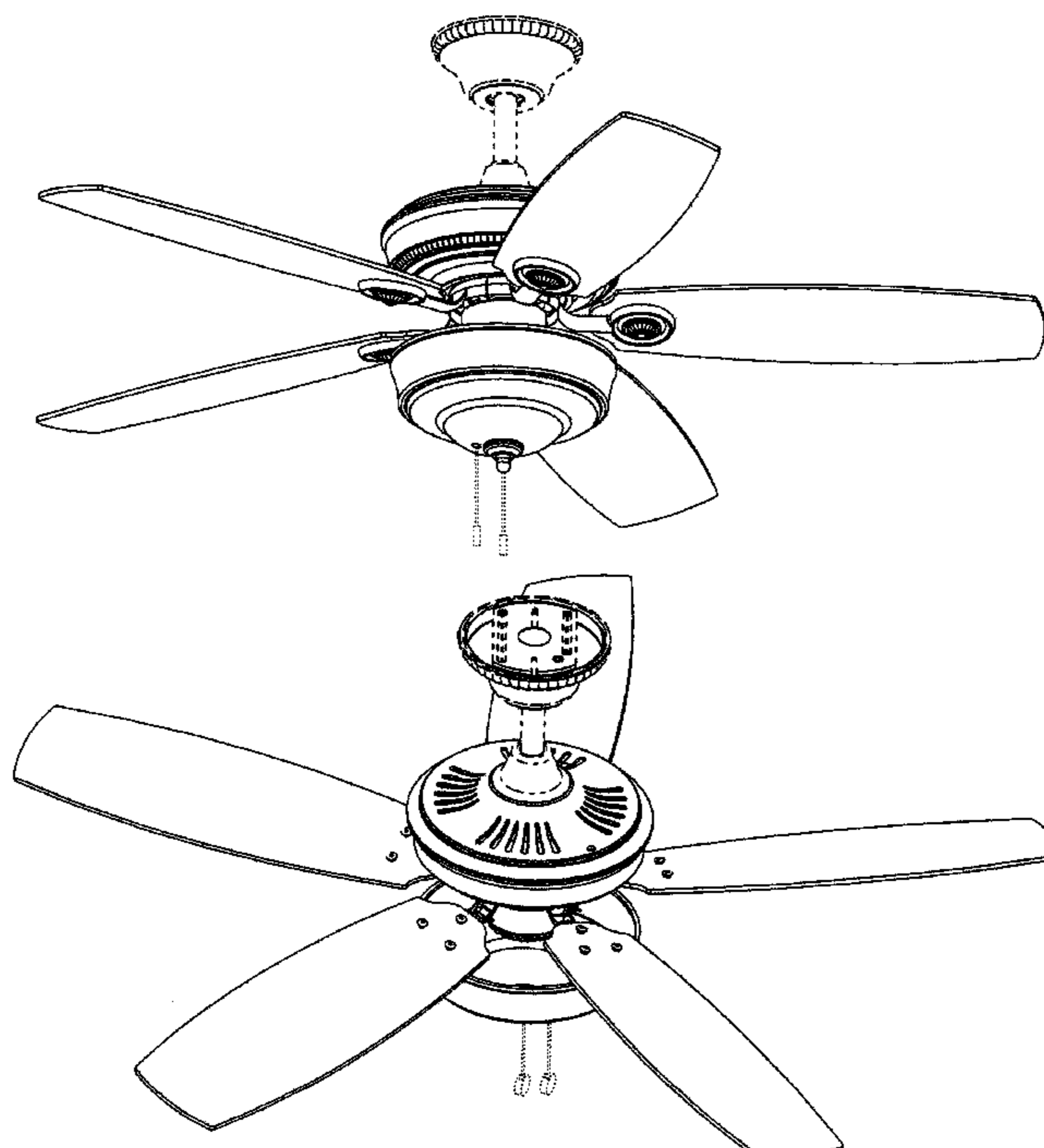
The broken line showing of the canopy, support rod and pull at the end of the pull chain, is included for the purpose of illustrating environmental structure and forms no part of the claimed design.

(56) **References Cited**

U.S. PATENT DOCUMENTS

D484,233 S	12/2003	Bucher et al.
D485,346 S	1/2004	Bucher et al.
D485,347 S	1/2004	Bucher et al.
D527,093 S	8/2006	Holmes
D539,894 S	4/2007	Bucher
D540,460 S	4/2007	Pickett
D547,433 S	7/2007	Wang
D553,240 S	10/2007	Badarello
D555,779 S	11/2007	Bucher
D556,881 S	12/2007	Bucher et al.
D563,541 S	3/2008	Bucher et al.

1 Claim, 8 Drawing Sheets



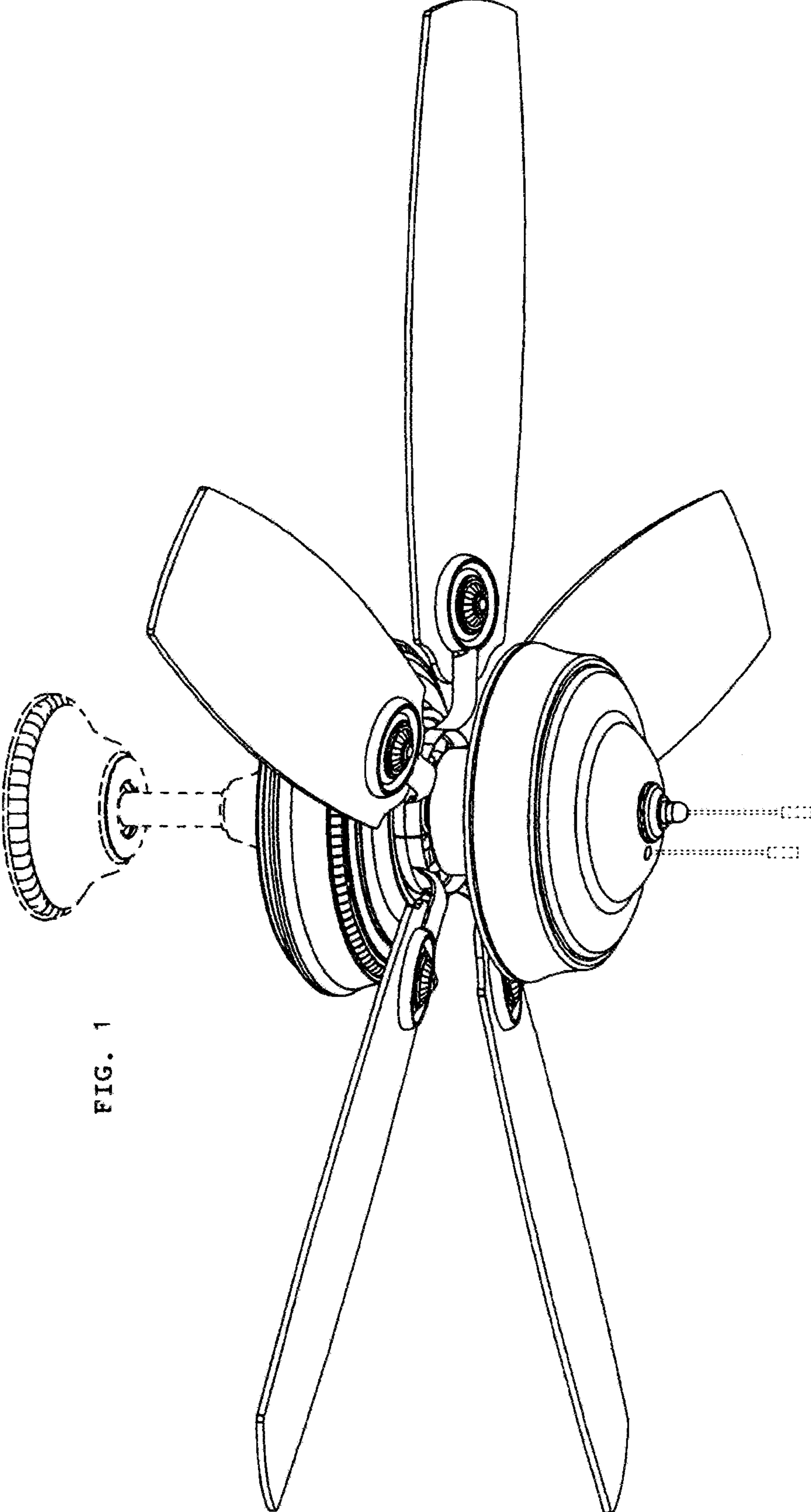


FIG. 1

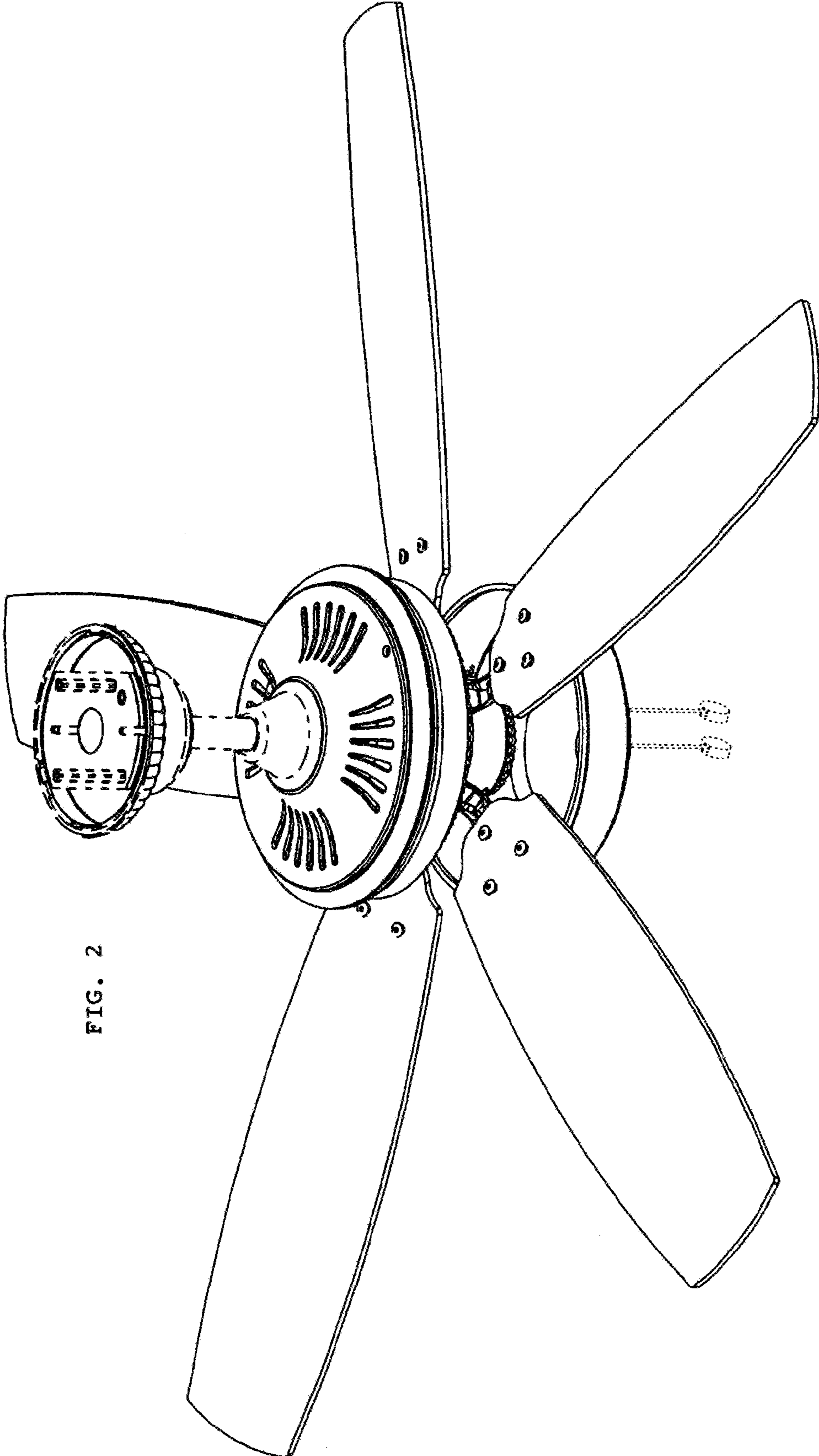


FIG. 2

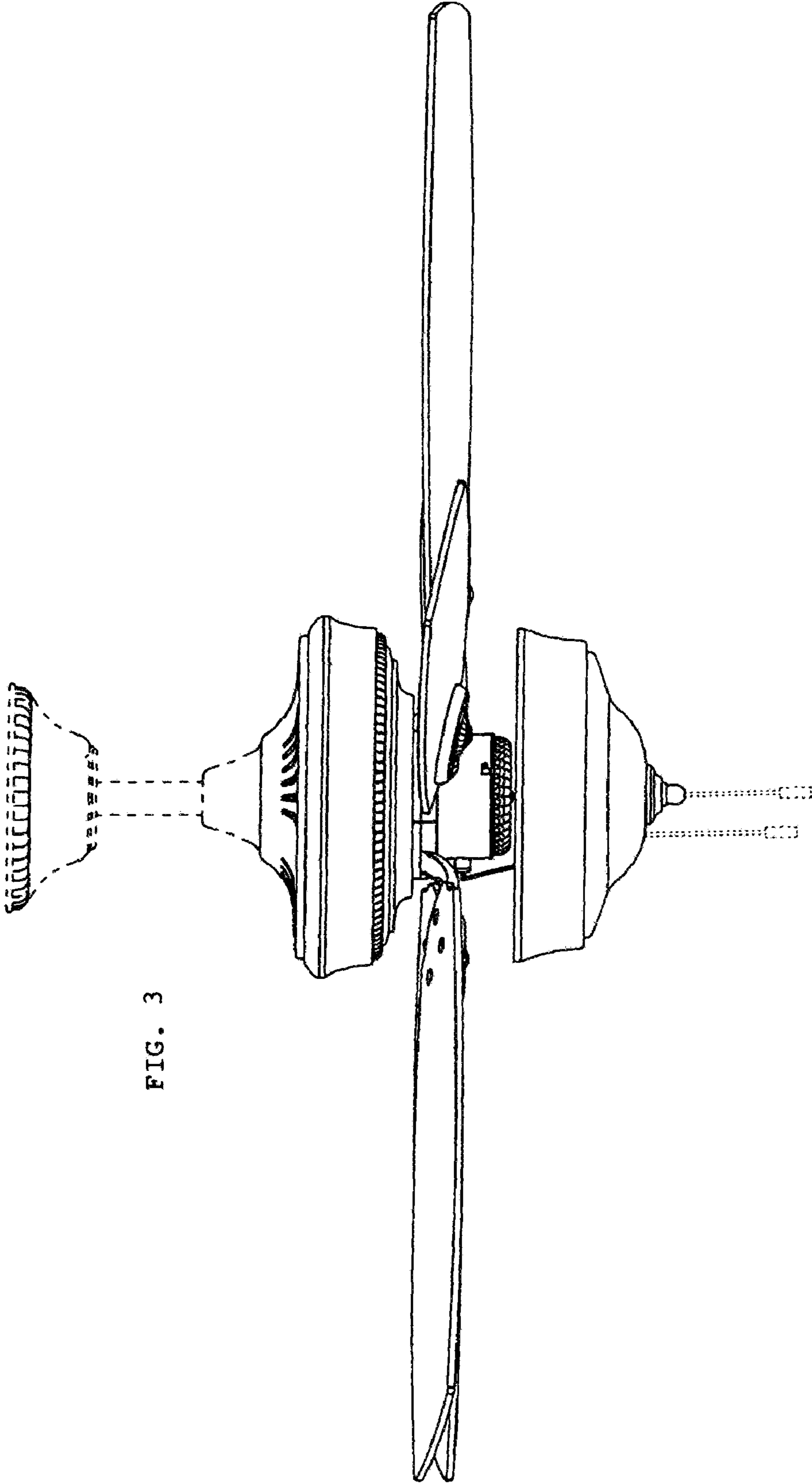


FIG. 3

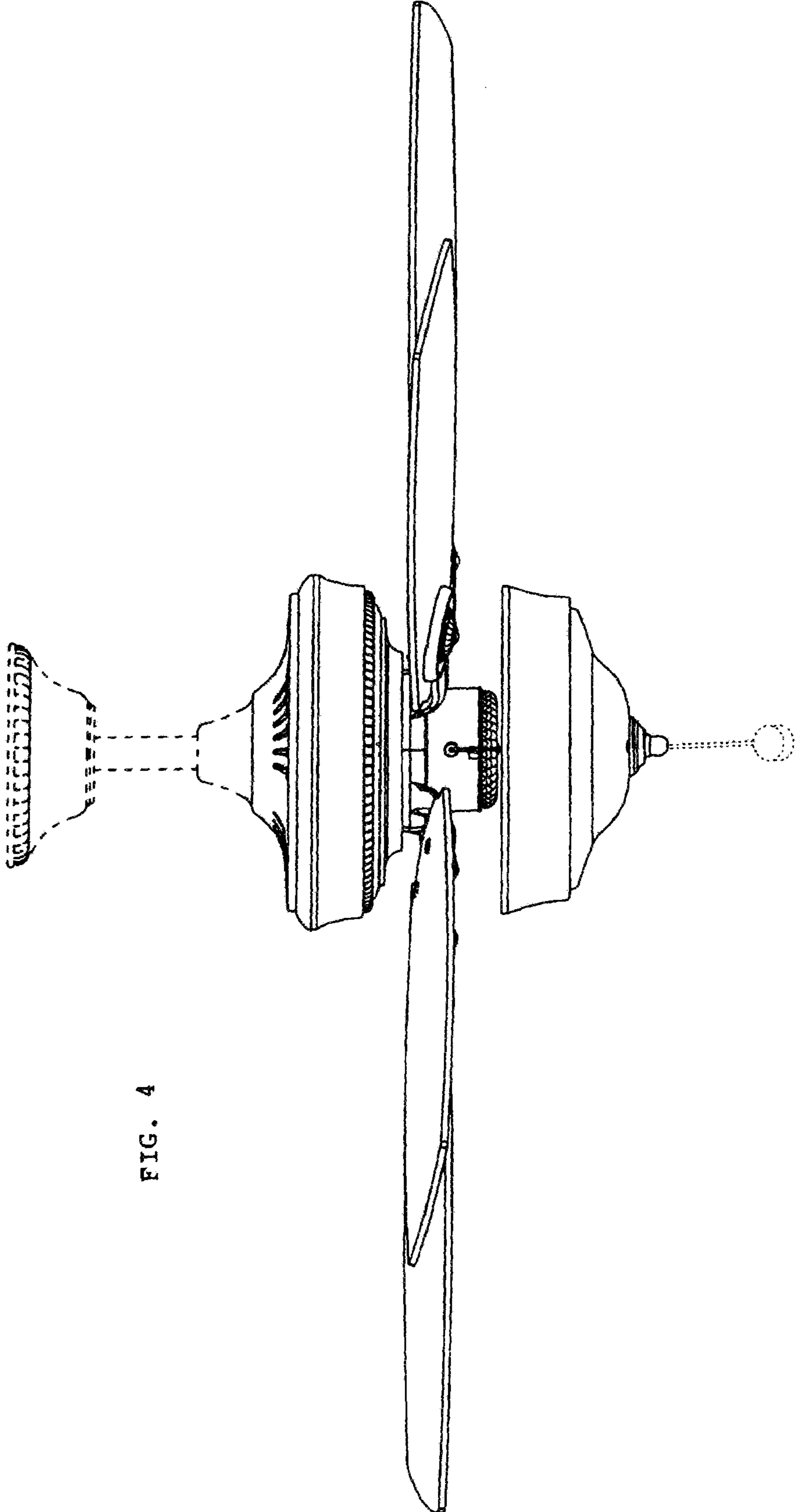


FIG. 4

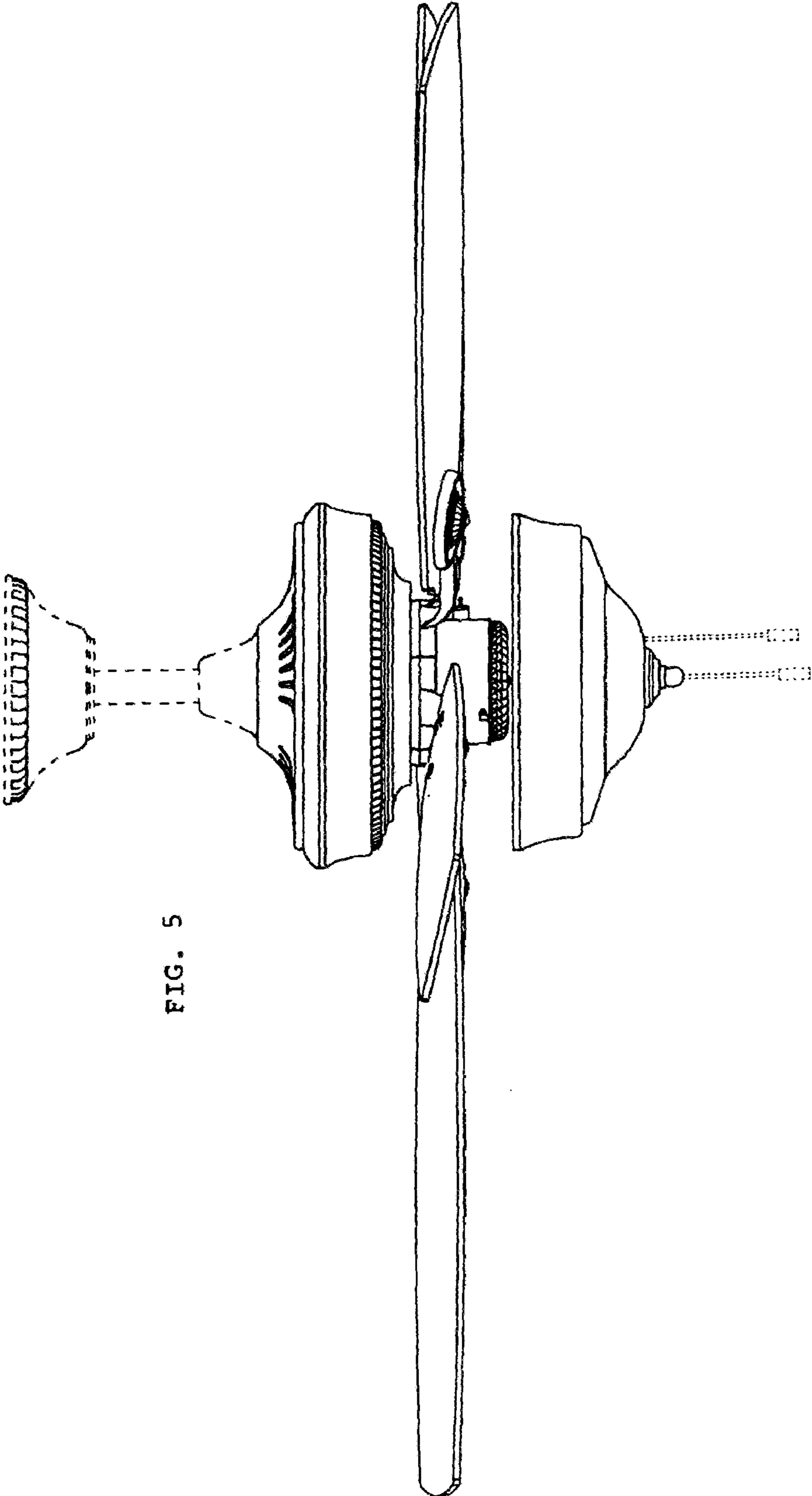


FIG. 5

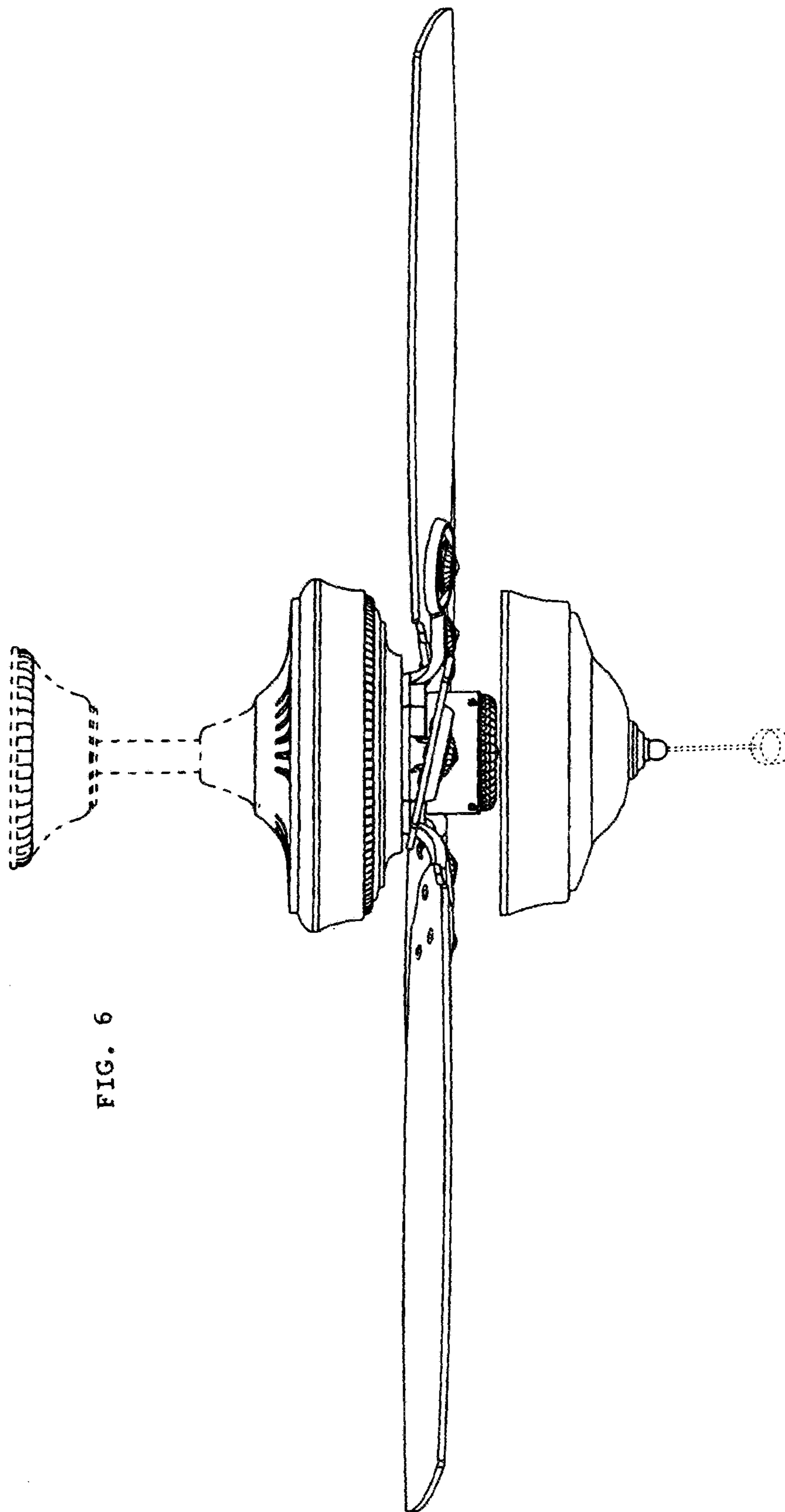


FIG. 6

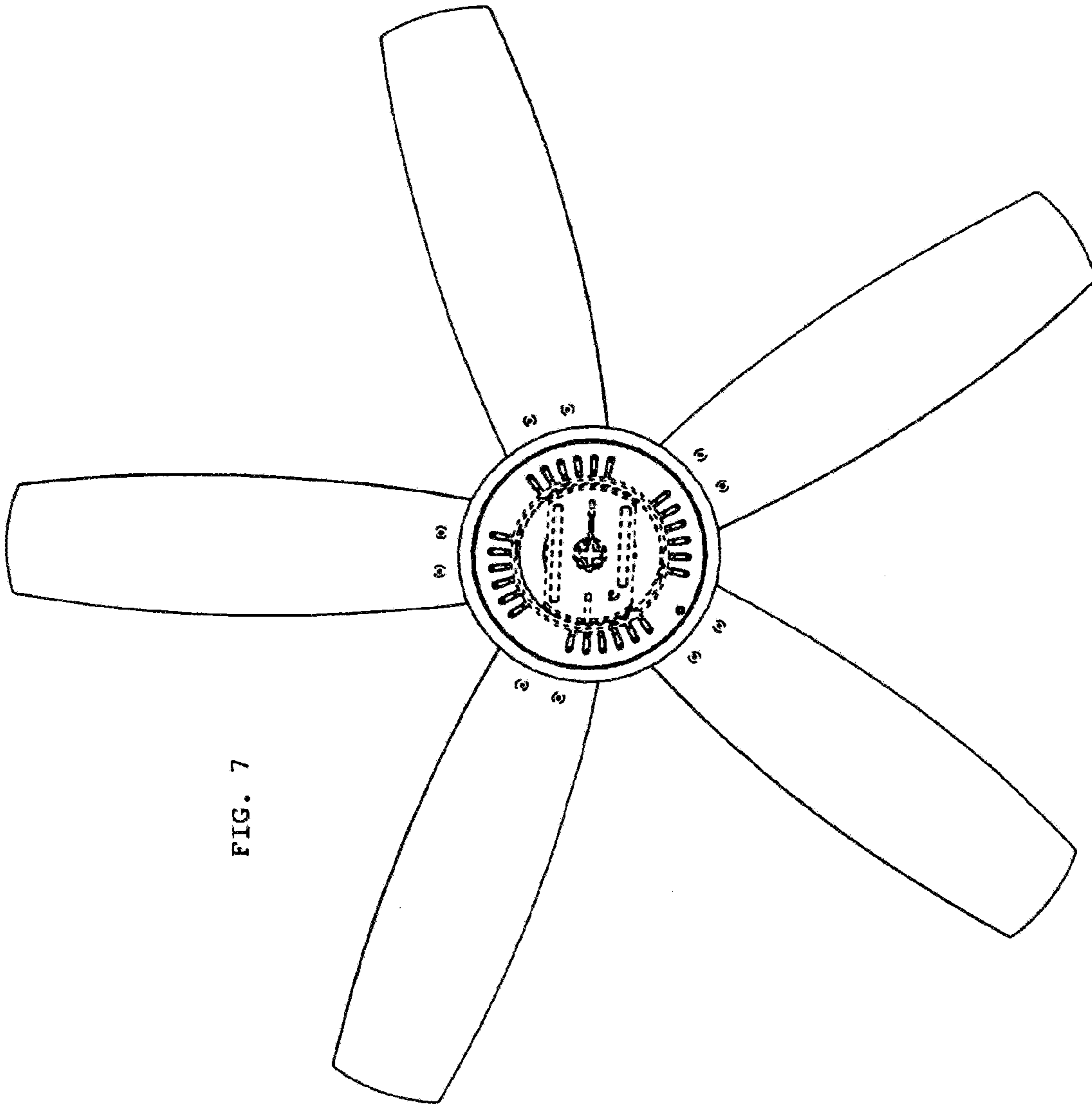


FIG. 7

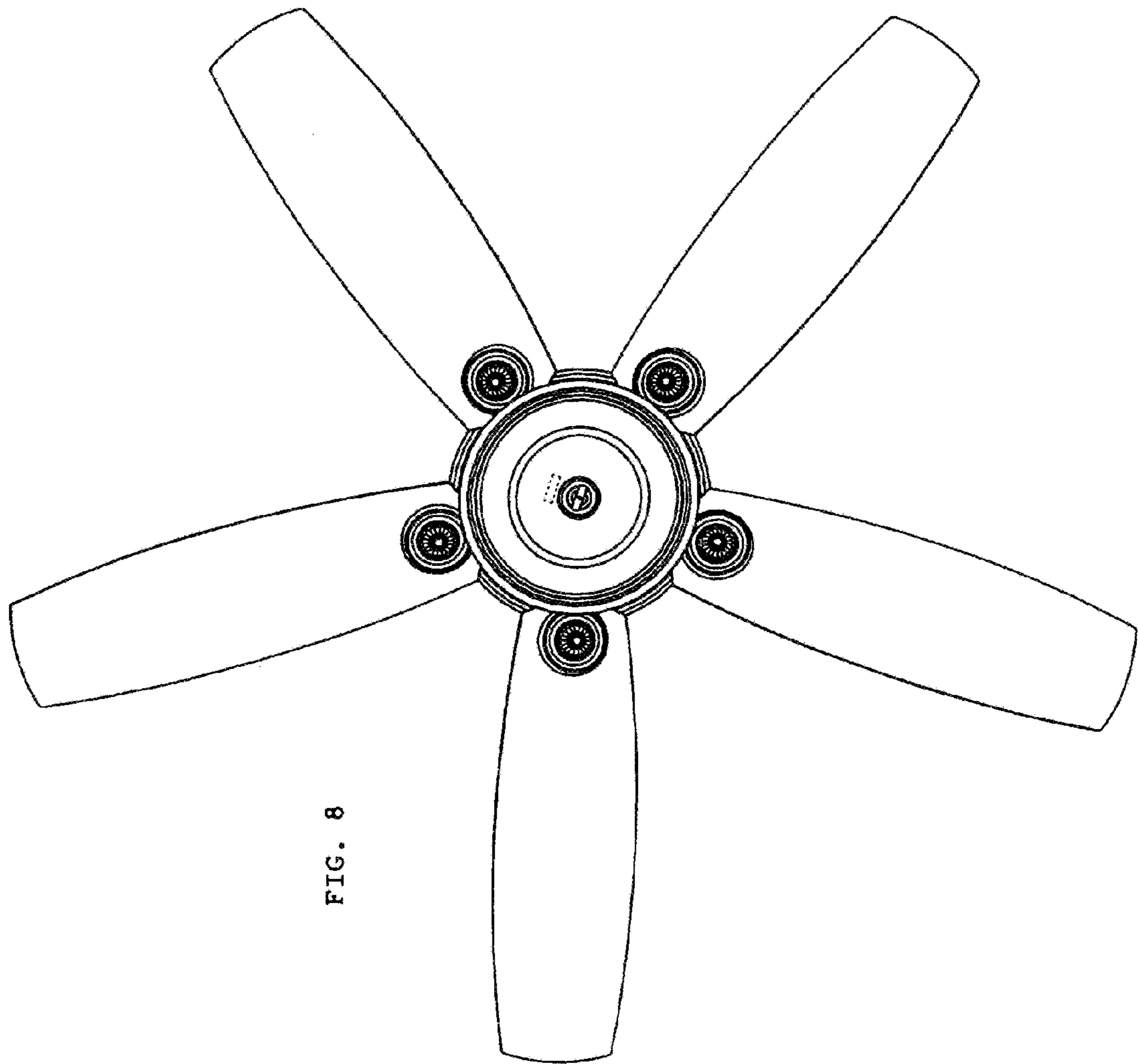


FIG. 8