



US00D643104S

(12) **United States Design Patent**
Ediger et al.

(10) **Patent No.:** **US D643,104 S**

(45) **Date of Patent:** **** Aug. 9, 2011**

(54) **FRAGRANCE DISPENSER**

(75) Inventors: **Glen W. Ediger**, North Newton, KS (US); **Gary P. Israel**, Andover, KS (US)

(73) Assignee: **Vornado Air, LLC**, Andover, KS (US)

(**) Term: **14 Years**

(21) Appl. No.: **29/381,438**

(22) Filed: **Dec. 20, 2010**

(51) **LOC (9) Cl.** **28-99**

(52) **U.S. Cl.** **D23/366**

(58) **Field of Classification Search** D23/355-369;
D28/5, 6; 261/DIG. 17, DIG. 42, DIG. 65,
261/DIG. 88, DIG. 89; 392/386, 390-395;
239/34, 35, 44-47, 50, 53, 56, 60, 145, 326

See application file for complete search history.

(56) **References Cited**

U.S. PATENT DOCUMENTS

4,263,907	A *	4/1981	Lindsey	128/200.18
4,369,776	A *	1/1983	Roberts	128/200.14
4,452,239	A *	6/1984	Malem	128/200.17
4,702,415	A *	10/1987	Hughes	239/8
D390,939	S *	2/1998	Colandro	D23/366

D486,213	S *	2/2004	Novak	D23/366
D541,400	S *	4/2007	Heijdenrijk	D23/366
D544,592	S *	6/2007	Caserta et al.	D23/366

* cited by examiner

Primary Examiner — Sandra Snapp

(74) *Attorney, Agent, or Firm* — Advent IP, P.C., L.L.O.

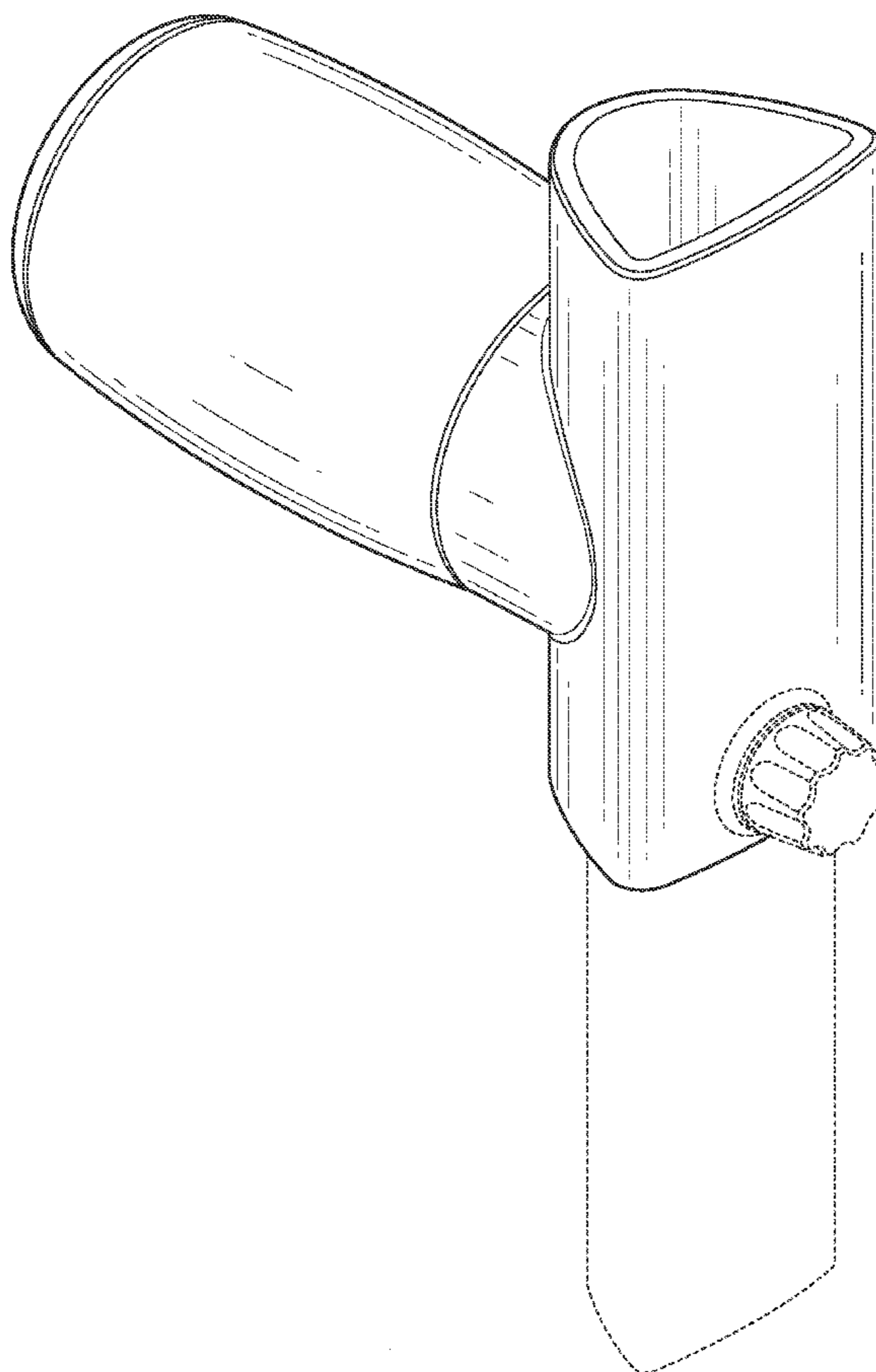
(57) **CLAIM**

The ornamental design for a fragrance dispenser, as shown and described.

DESCRIPTION

FIG. 1 is a front left plan view of the fragrance dispenser; FIG. 2 is a front elevation view of the fragrance dispenser of FIG. 1; FIG. 3 is a bottom plan view of the fragrance dispenser of FIG. 1; FIG. 4 is a left elevation view of the fragrance dispenser of FIG. 1; FIG. 5 is a right elevation view of the fragrance dispenser of FIG. 1; FIG. 6 is a front plan view of the fragrance dispenser of FIG. 1; and, FIG. 7 is a rear plan view of the fragrance dispenser of FIG. 1. The broken lines shown in the drawings are for illustrative purposes only and form no part of the claimed design.

1 Claim, 7 Drawing Sheets



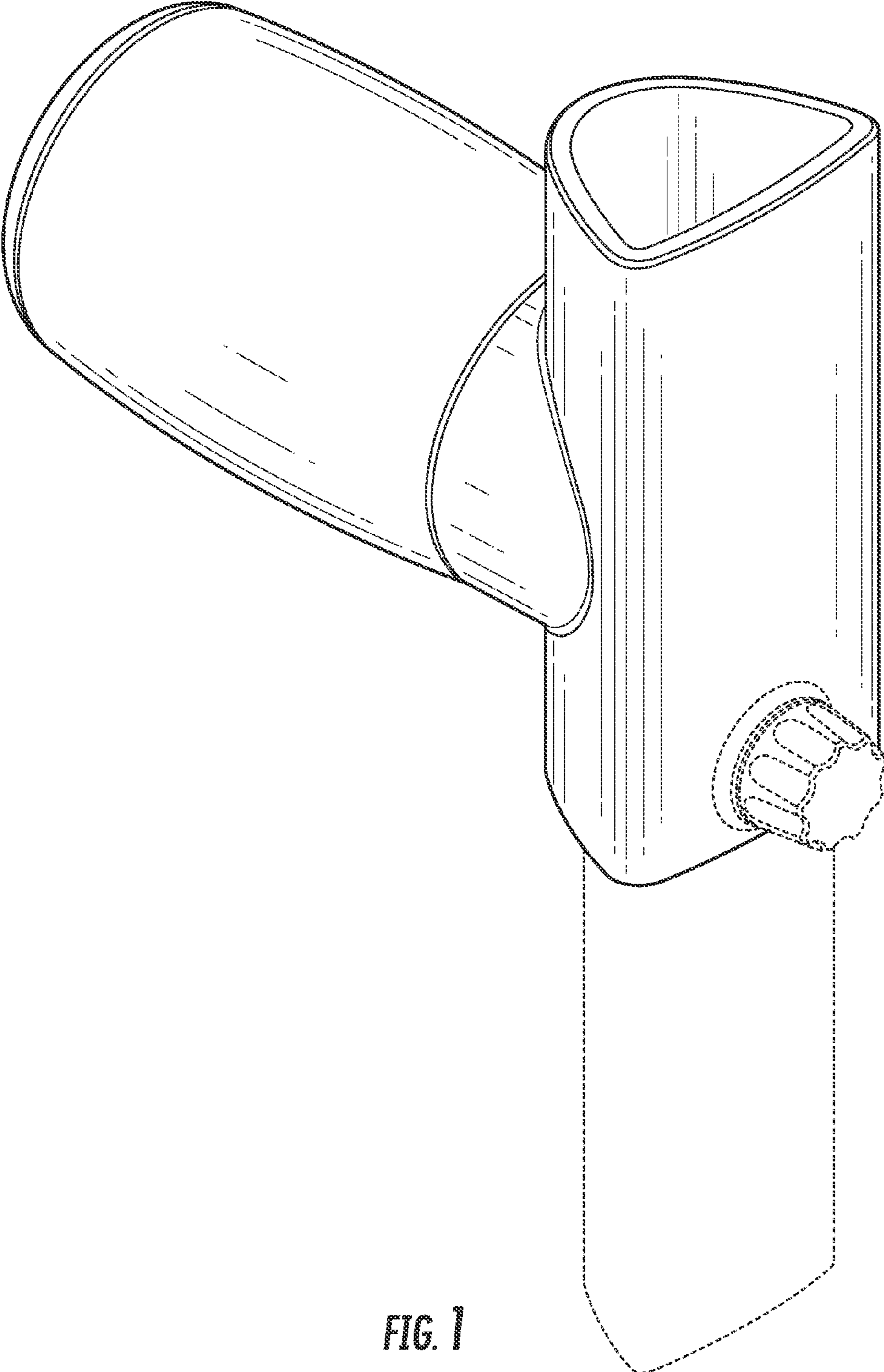


FIG. 1

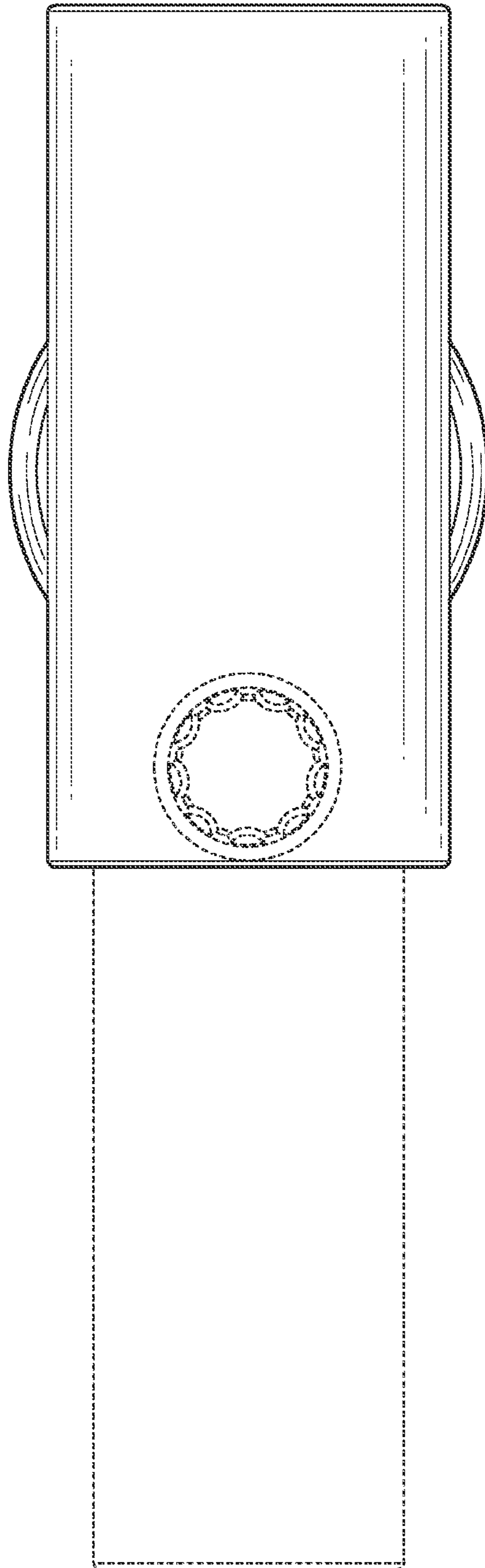


FIG. 2

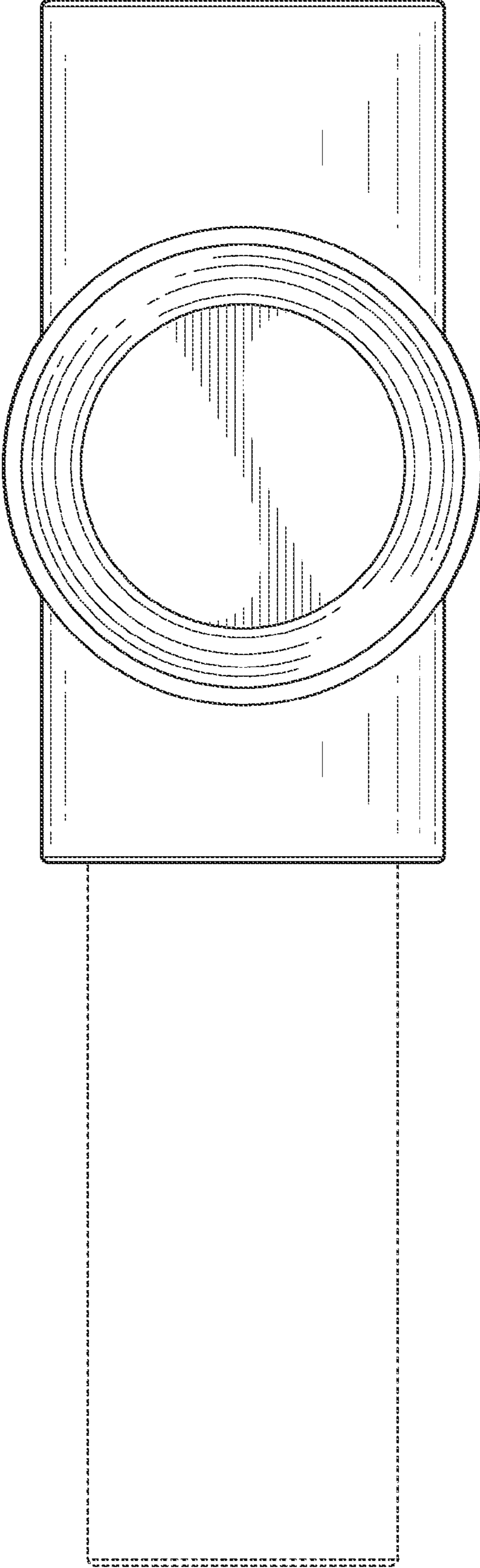


FIG. 3

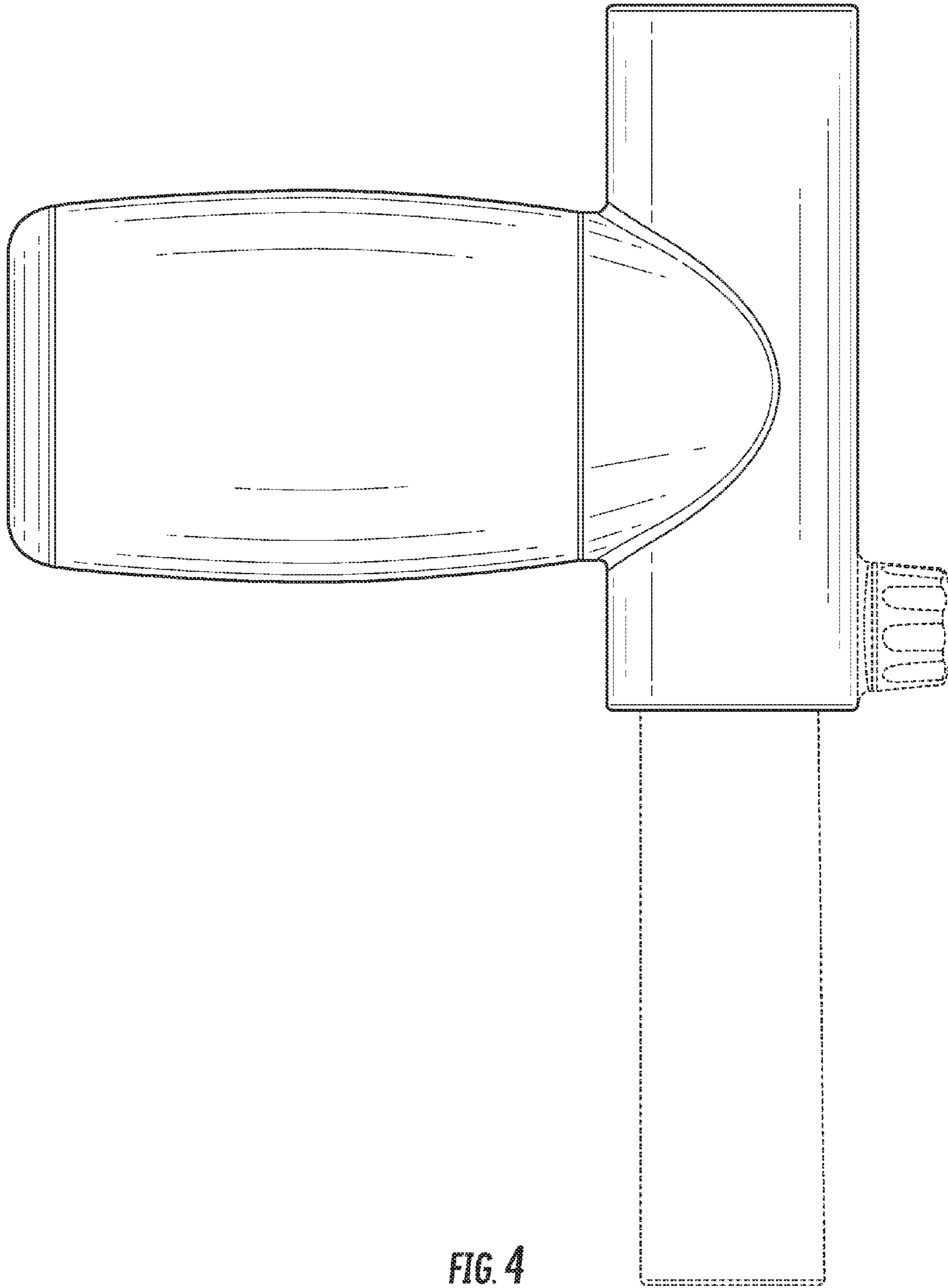


FIG. 4

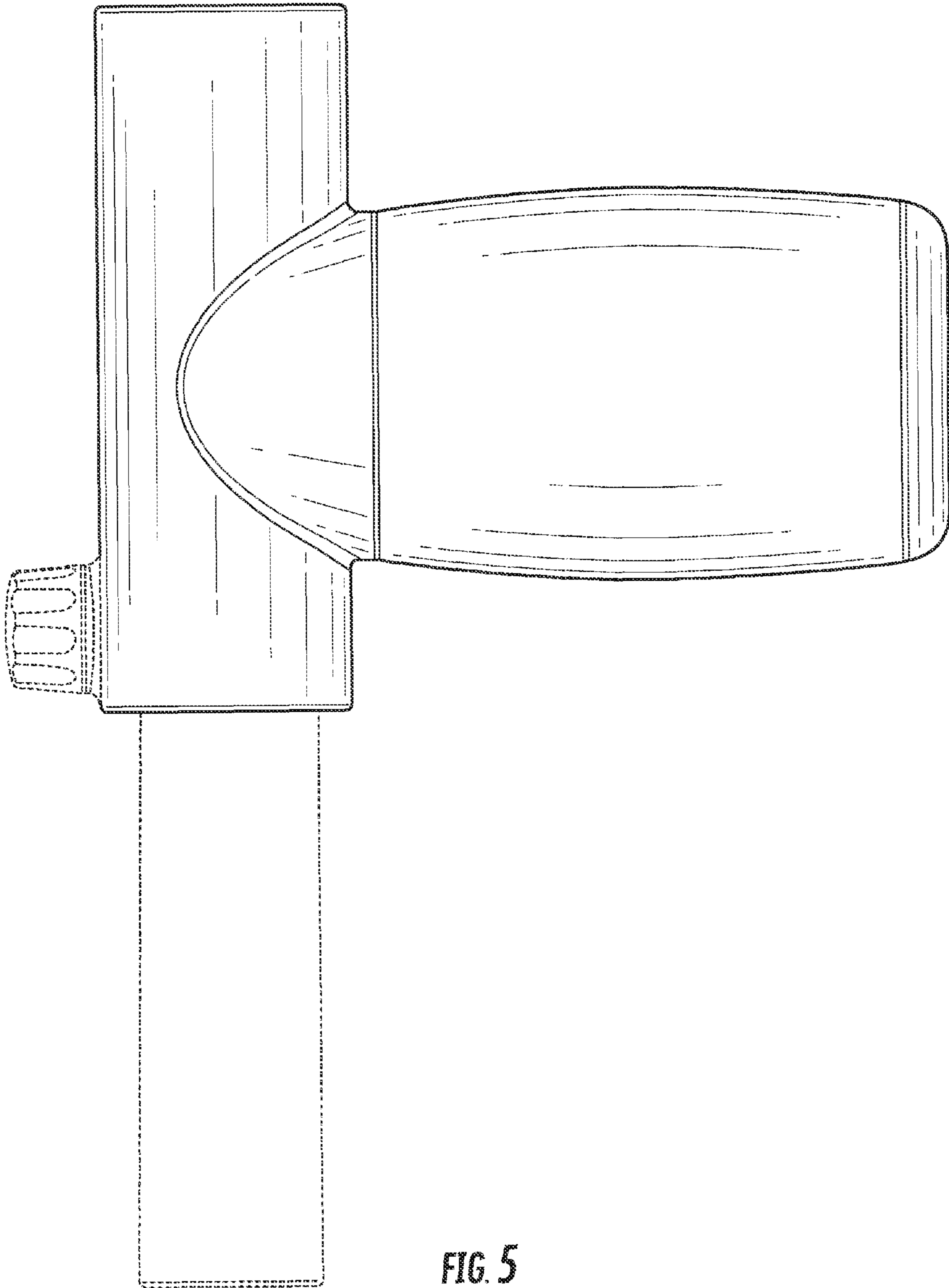


FIG. 5

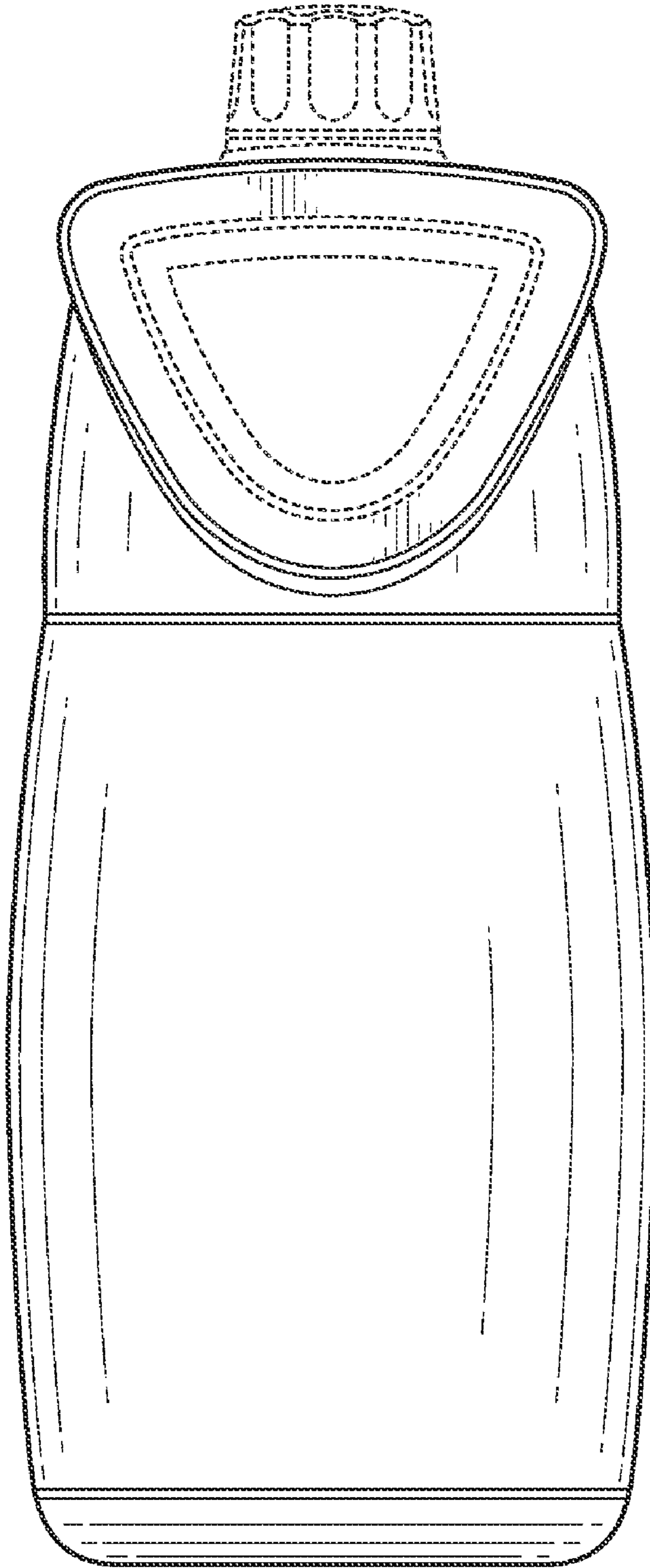


FIG. 6

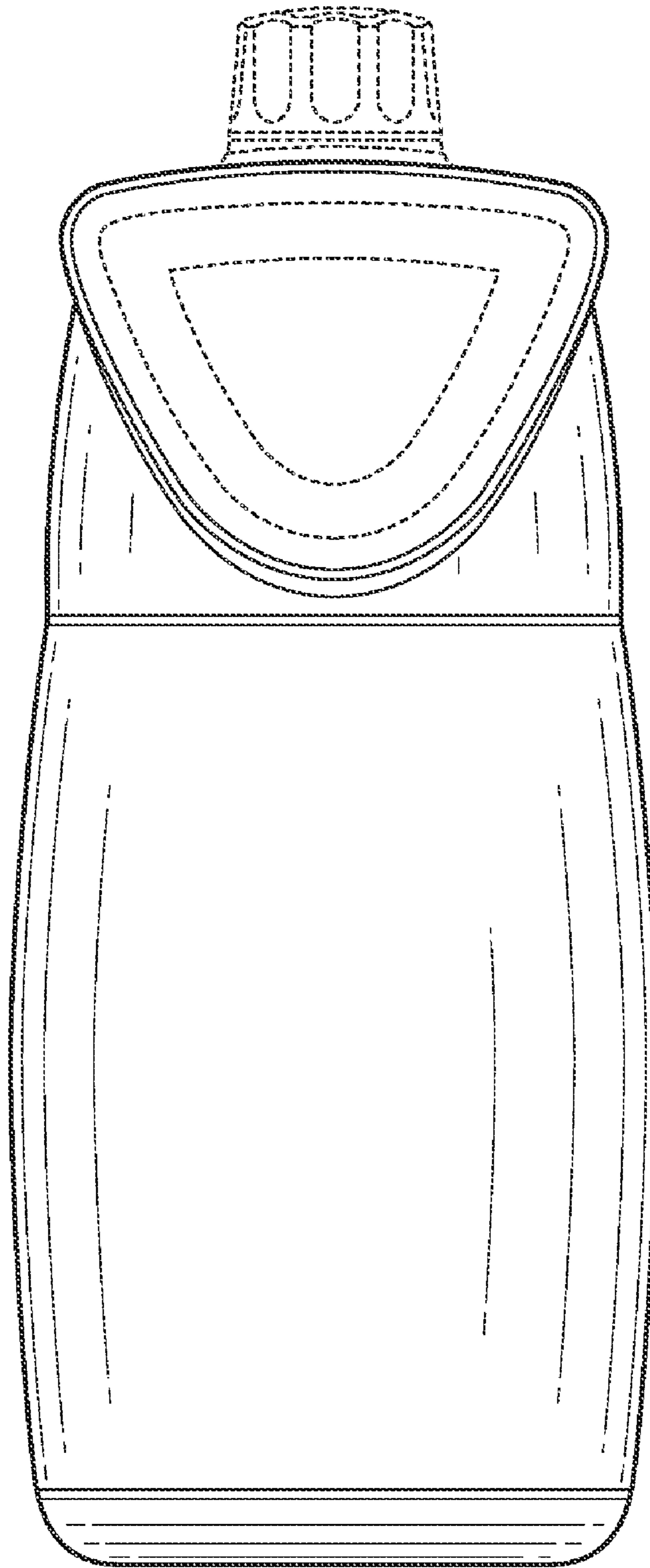


FIG. 7