



US00D643103S

(12) **United States Design Patent**
Bilko et al.

(10) **Patent No.:** **US D643,103 S**

(45) **Date of Patent:** **** Aug. 9, 2011**

(54) **ELECTRONIC AEROSOL**

(75) Inventors: **John Pawel Bilko**, Swindon (GB);
Oliver George Glynn, Faringdon (GB);
Stephen Robert Arnell, Swindon (GB);
Adrian Roy Chapman, Swindon (GB)

(73) Assignee: **Crown Packaging Technology, Inc.**,
Alsip, IL (US)

(**) Term: **14 Years**

(21) Appl. No.: **29/381,216**

(22) Filed: **Dec. 16, 2010**

(30) **Foreign Application Priority Data**

Jun. 16, 2010 (EM) 001720681-0001

(51) **LOC (9) Cl.** **28-99**

(52) **U.S. Cl.** **D23/366**

(58) **Field of Classification Search** D23/355-369;
D28/5, 6; 261/DIG. 17, DIG. 42, DIG. 65,
261/DIG. 88, DIG. 89; 392/386, 390-395;
239/34, 35, 44-47, 50, 53, 56, 60, 145, 326

See application file for complete search history.

(56) **References Cited**

U.S. PATENT DOCUMENTS

1,586,044 A * 5/1926 Reed 132/293
4,352,457 A * 10/1982 Weick 239/45
D281,281 S * 11/1985 Matalon D28/5
D411,881 S * 7/1999 Weick D23/366
D438,608 S * 3/2001 Chen D23/366
D468,033 S * 12/2002 Warren et al. D26/26
D477,390 S * 7/2003 Chen D23/366

D488,549 S * 4/2004 Chen D23/366
D512,493 S * 12/2005 Haranaka D23/355
D512,494 S * 12/2005 Haranaka D23/355
D519,624 S * 4/2006 Chen D23/368
D521,138 S * 5/2006 Wu D23/366
D534,641 S * 1/2007 Chen D23/366
D575,384 S * 8/2008 Huang D23/366
D575,859 S * 8/2008 Scimone D23/366
D611,584 S * 3/2010 Gruenbacher et al. D23/366
D622,400 S * 8/2010 Freeman et al. D24/186

* cited by examiner

Primary Examiner — Sandra Snapp

(74) Attorney, Agent, or Firm — Woodcock Washburn LLP

(57) **CLAIM**

The ornamental design for an electronic aerosol, as shown and described.

DESCRIPTION

This application is related by subject matter to copending applications 29/381,222 and 29/381,226, each entitled "Electronic Aerosol," both filed on Dec. 16, 2010, both currently pending.

FIG. 1 is a top perspective view of an electronic aerosol according to our design;

FIG. 2 is a right side view thereof;

FIG. 3 is a left side view thereof;

FIG. 4 is a top plan view thereof;

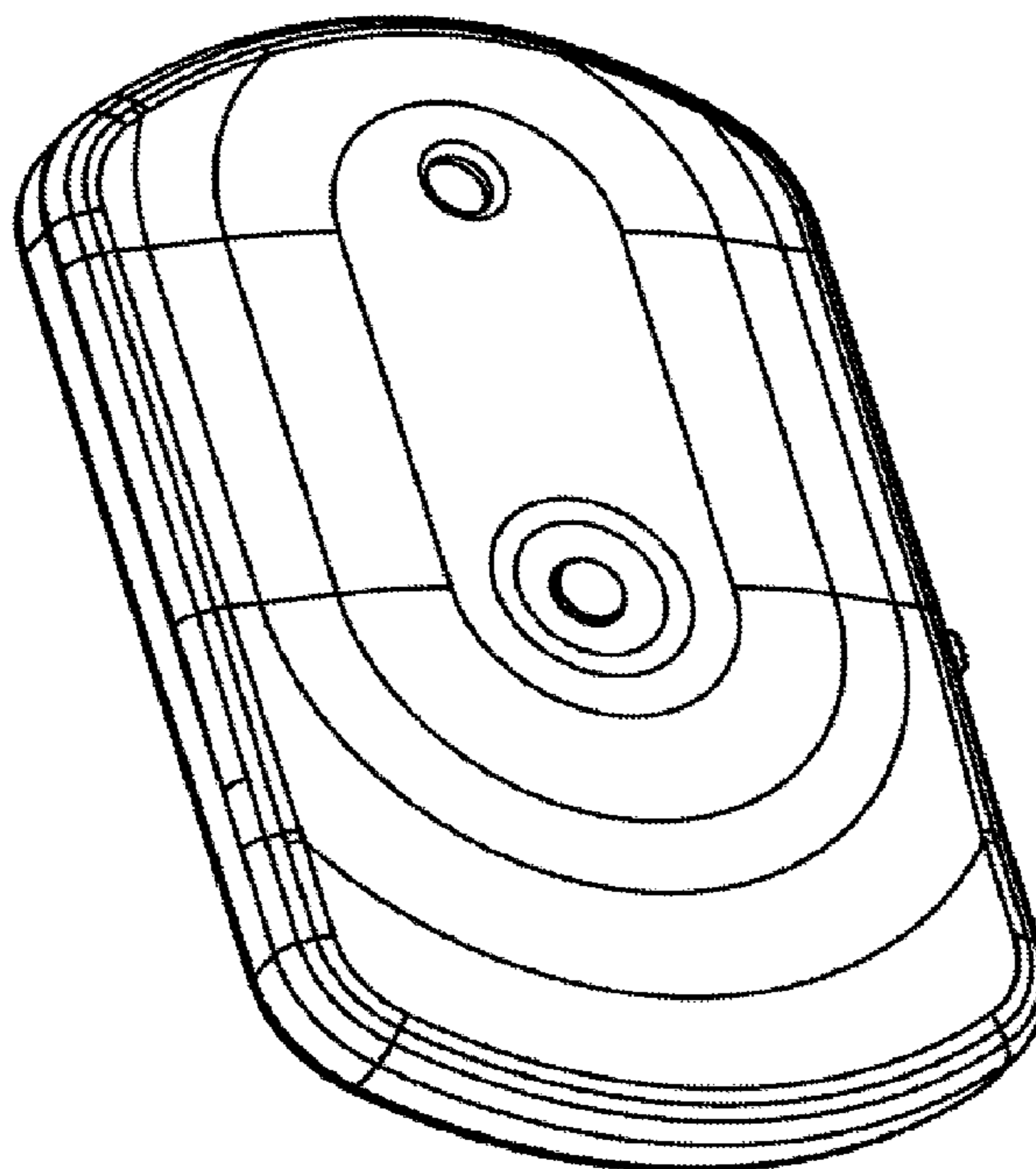
FIG. 5 is bottom plan view thereof;

FIG. 6 is a front elevation view thereof; and,

FIG. 7 is a rear elevation view thereof.

Any broken line portion of the drawings is included to show environmental subject matter only and forms no part of the claimed design.

1 Claim, 3 Drawing Sheets



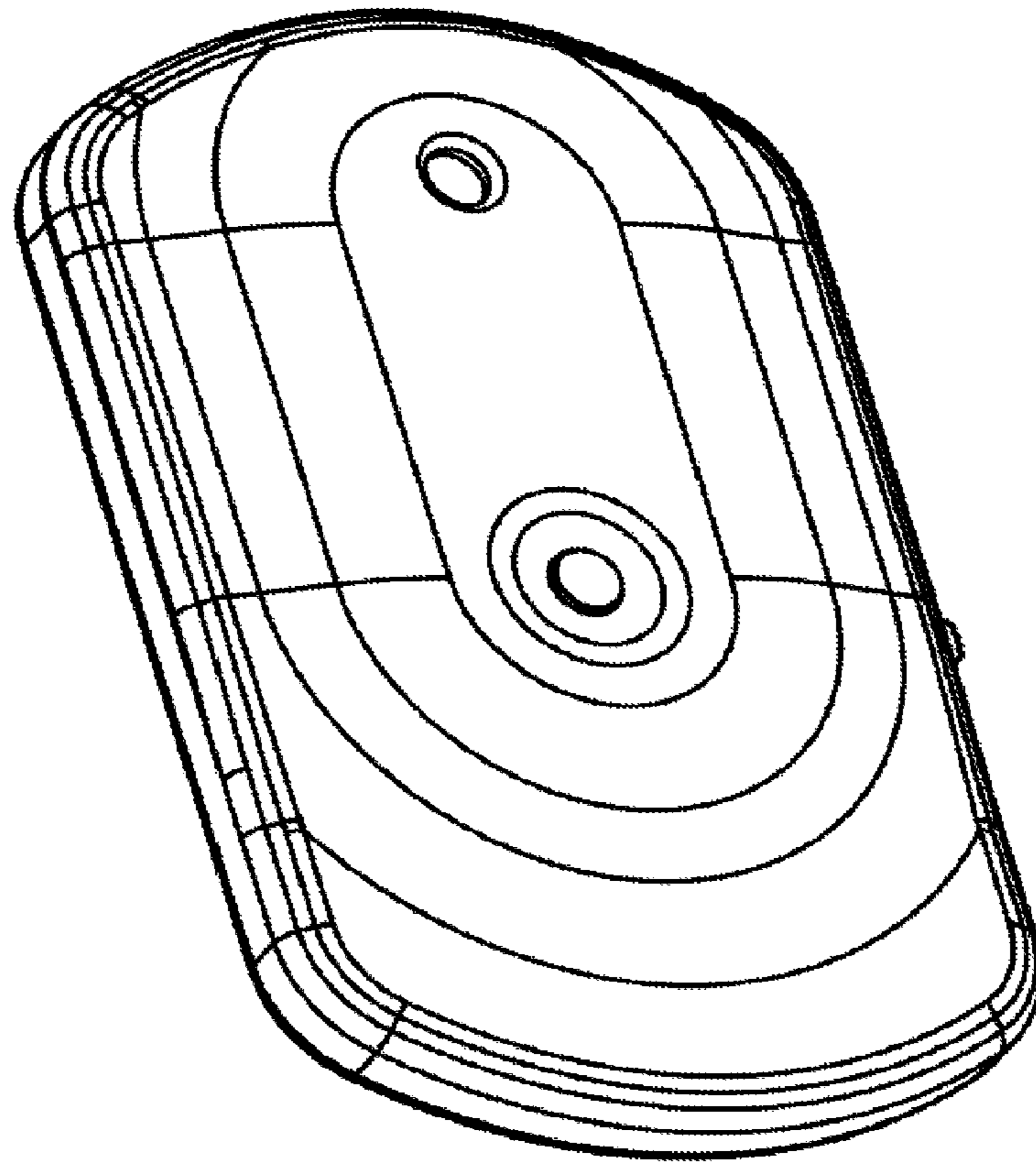


Fig. 1

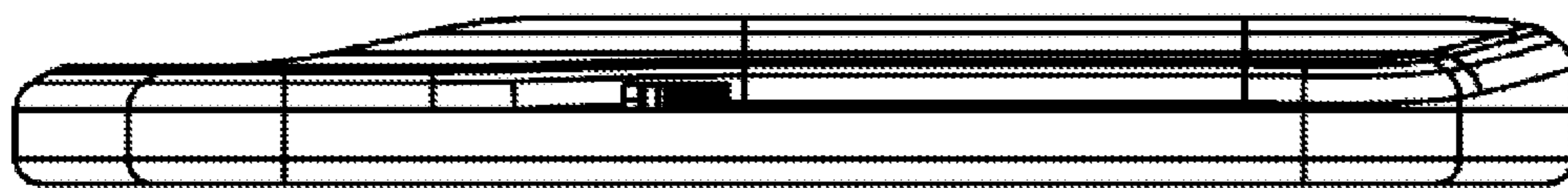


Fig. 2



Fig. 3

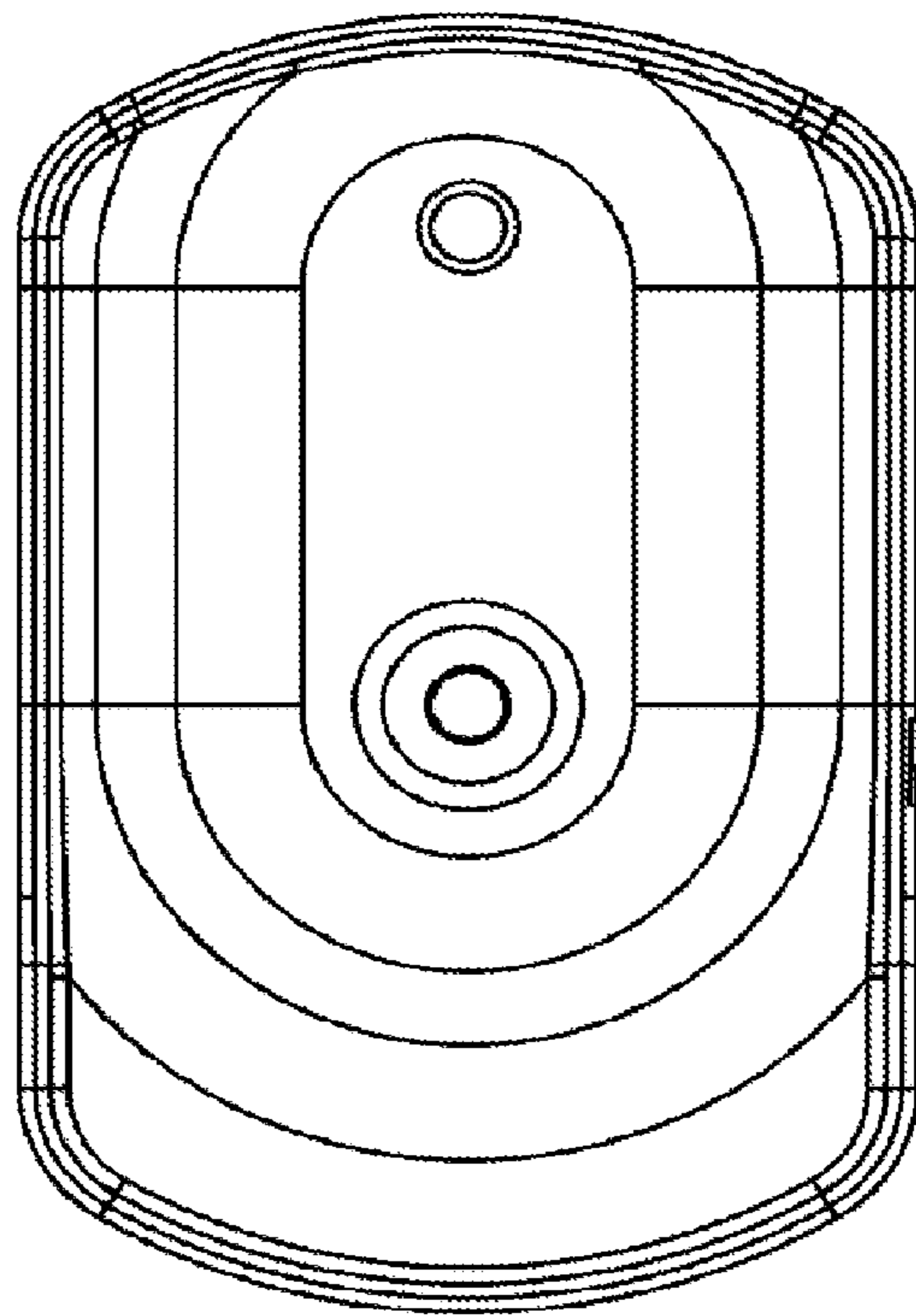


Fig. 4

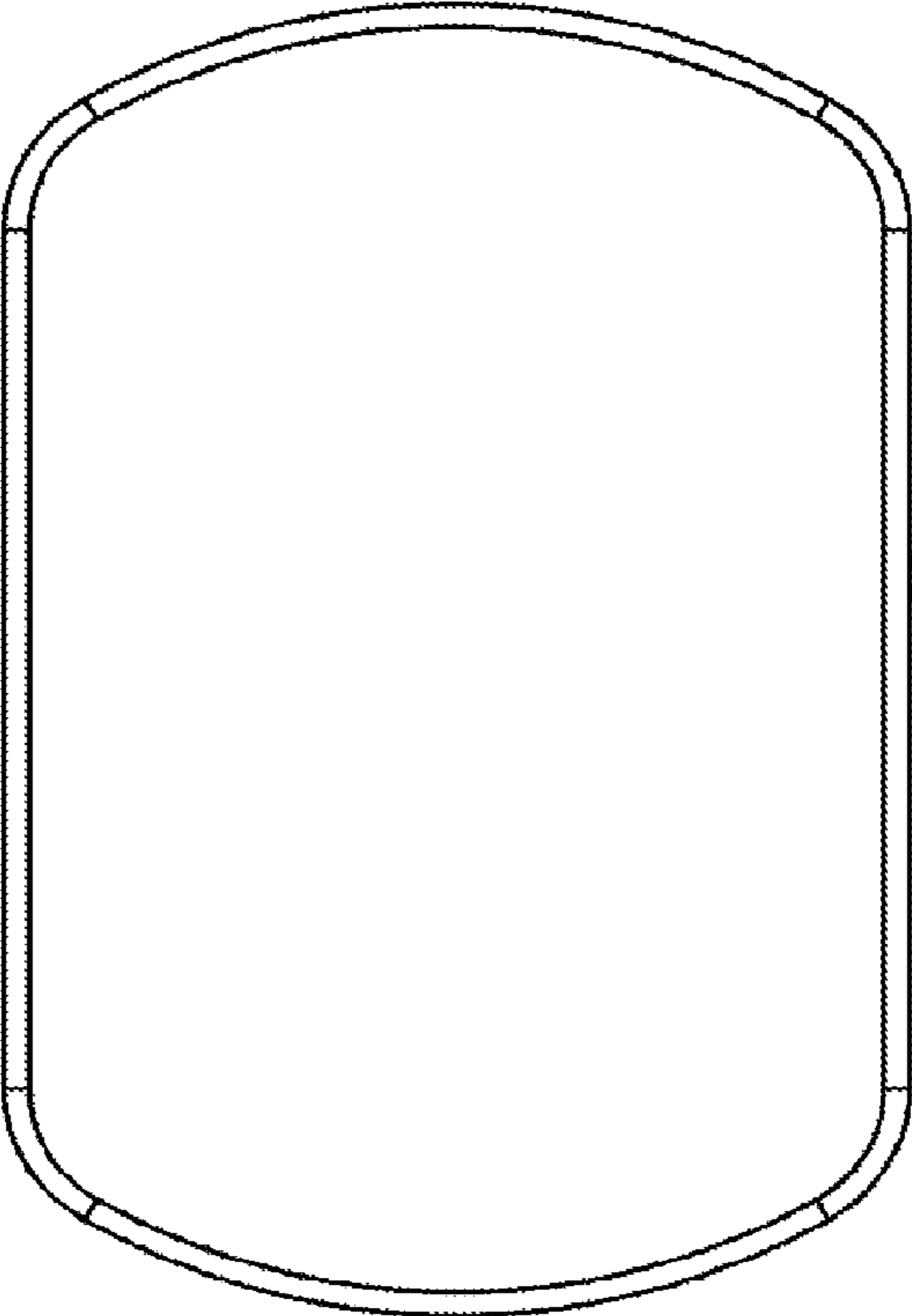


Fig. 5

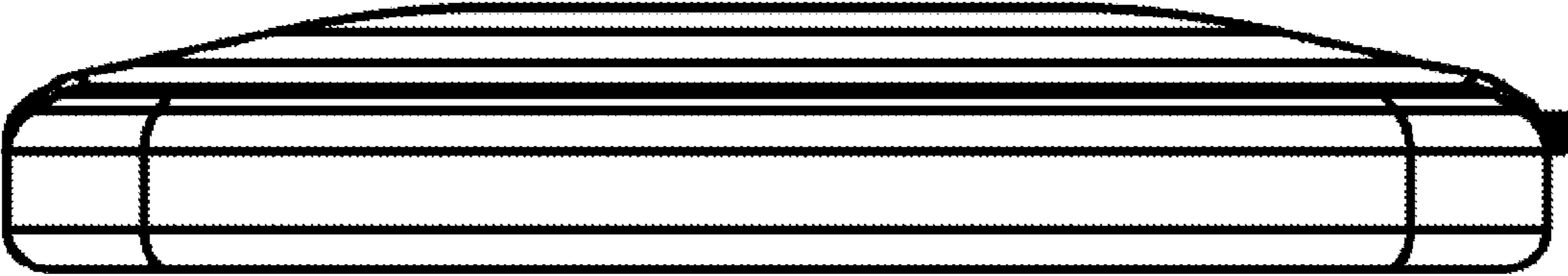


Fig. 6

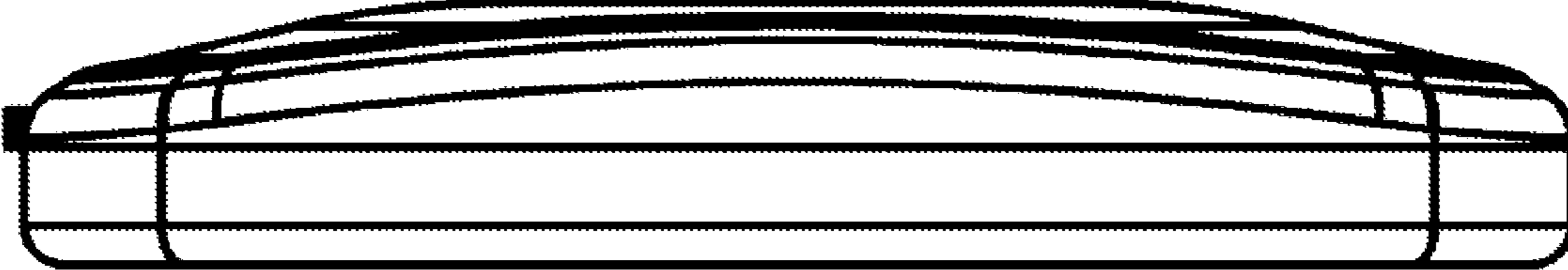


Fig. 7