



US00D643101S

(12) **United States Design Patent**
Abbondanzio et al.

(10) **Patent No.:** **US D643,101 S**

(45) **Date of Patent:** **** Aug. 9, 2011**

(54) **SPRAYER FOR A FLUID DELIVERY DEVICE**

(75) Inventors: **Matthew Abbondanzio**, Milwaukee, WI (US); **Jason R. Gebhardt**, Buffalo Grove, IL (US); **Kristian Buschmann**, Chicago, IL (US)

(73) Assignee: **S.C. Johnson & Son, Inc.**, Racine, WI (US)

(**) Term: **14 Years**

(21) Appl. No.: **29/379,917**

(22) Filed: **Nov. 26, 2010**

(51) **LOC (9) Cl.** **28-99**

(52) **U.S. Cl.** **D23/366**

(58) **Field of Classification Search** D23/355-369; D28/5, 6; 261/DIG. 17, DIG. 42, DIG. 65, 261/DIG. 88, DIG. 89; 392/386, 390, 391, 392/392, 393, 394, 395; 239/34, 35, 44-47, 239/50, 53, 56, 60, 145, 326

See application file for complete search history.

(56) **References Cited**

U.S. PATENT DOCUMENTS

D384,736 S	*	10/1997	Goode et al.	D23/366
D389,234 S	*	1/1998	Arrigo	D23/368
D400,965 S	*	11/1998	Akwei	D23/208
D454,946 S	*	3/2002	Jackson	D23/366
D480,462 S	*	10/2003	Conway et al.	D23/368
D500,550 S	*	1/2005	Bariou et al.	D23/368

D512,771 S	*	12/2005	Conway et al.	D23/368
D515,188 S	*	2/2006	Schalansky et al.	D23/355
D530,806 S	*	10/2006	Holquin-Remolina	D23/364
D546,431 S	*	7/2007	Quinn et al.	D23/359
2002/0083514	A1	7/2002	Lhoste		
2003/0137081	A1	7/2003	Pitkanen		
2007/0240252	A1	10/2007	Leonard et al.		
2008/0017762	A1	1/2008	Leonard et al.		
2008/0092282	A1	4/2008	Altmann et al.		
2008/0272200	A1	11/2008	Ordiway et al.		
2010/0205728	A1	8/2010	Muhlhausen et al.		

* cited by examiner

Primary Examiner — Sandra Snapp

(57) **CLAIM**

The ornamental design for a sprayer for a fluid delivery device, as shown and described.

DESCRIPTION

FIG. 1 is a top, left, front perspective view of an embodiment of a sprayer for a fluid delivery device embodying our new design;

FIG. 2 is a left elevational view thereof, the right elevational view being a mirror image thereof;

FIG. 3 is a front elevational view thereof;

FIG. 4 is a rear elevational view thereof;

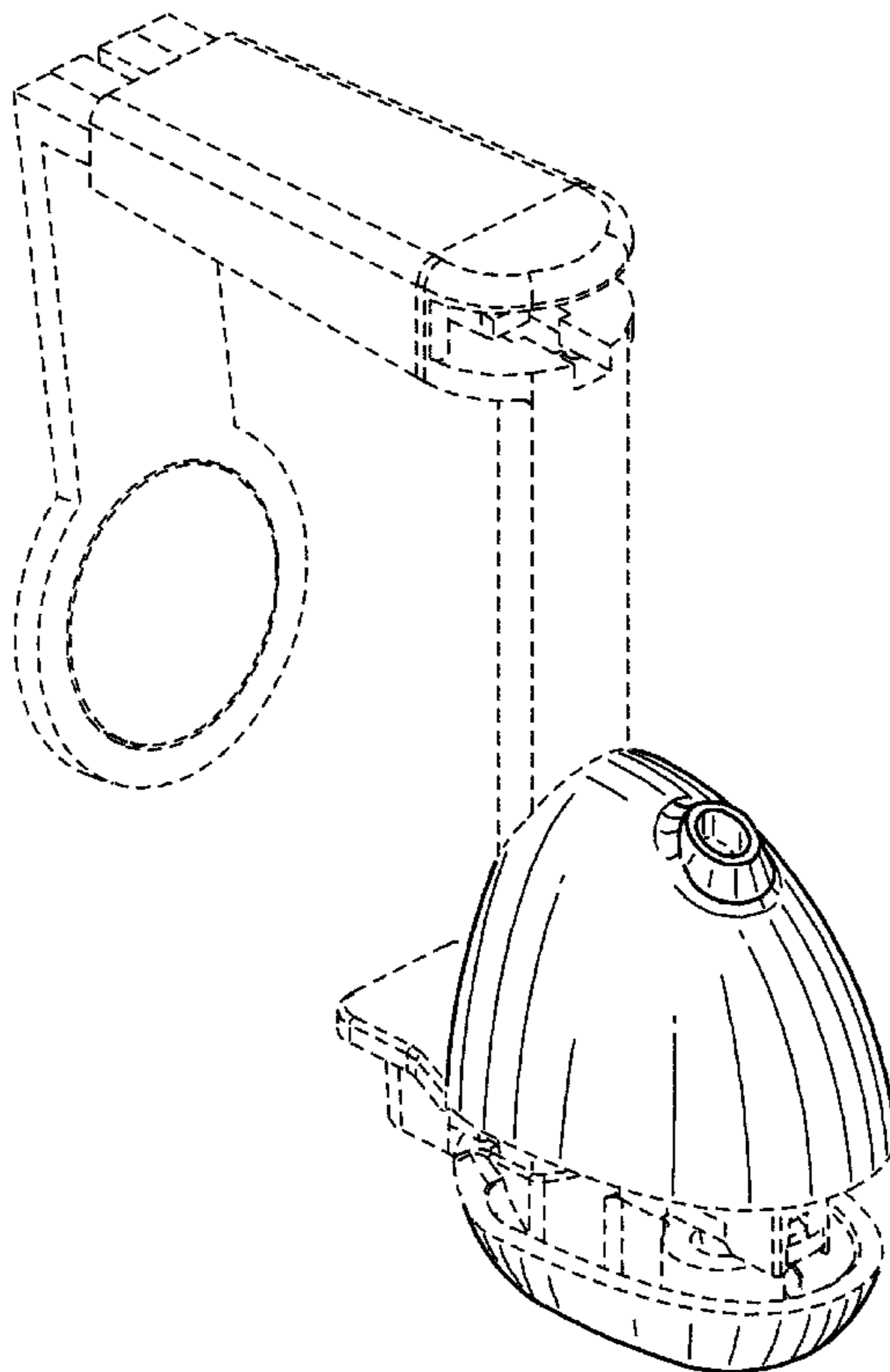
FIG. 5 is a top plan view thereof; and,

FIG. 6 is a bottom plan view thereof.

The broken line representations in the views are for illustrative purposes only and form no part of the claimed design.

In a preferred embodiment, the nature of this product is a liquid sprayer for dispensing liquids from the rim of a toilet.

1 Claim, 4 Drawing Sheets



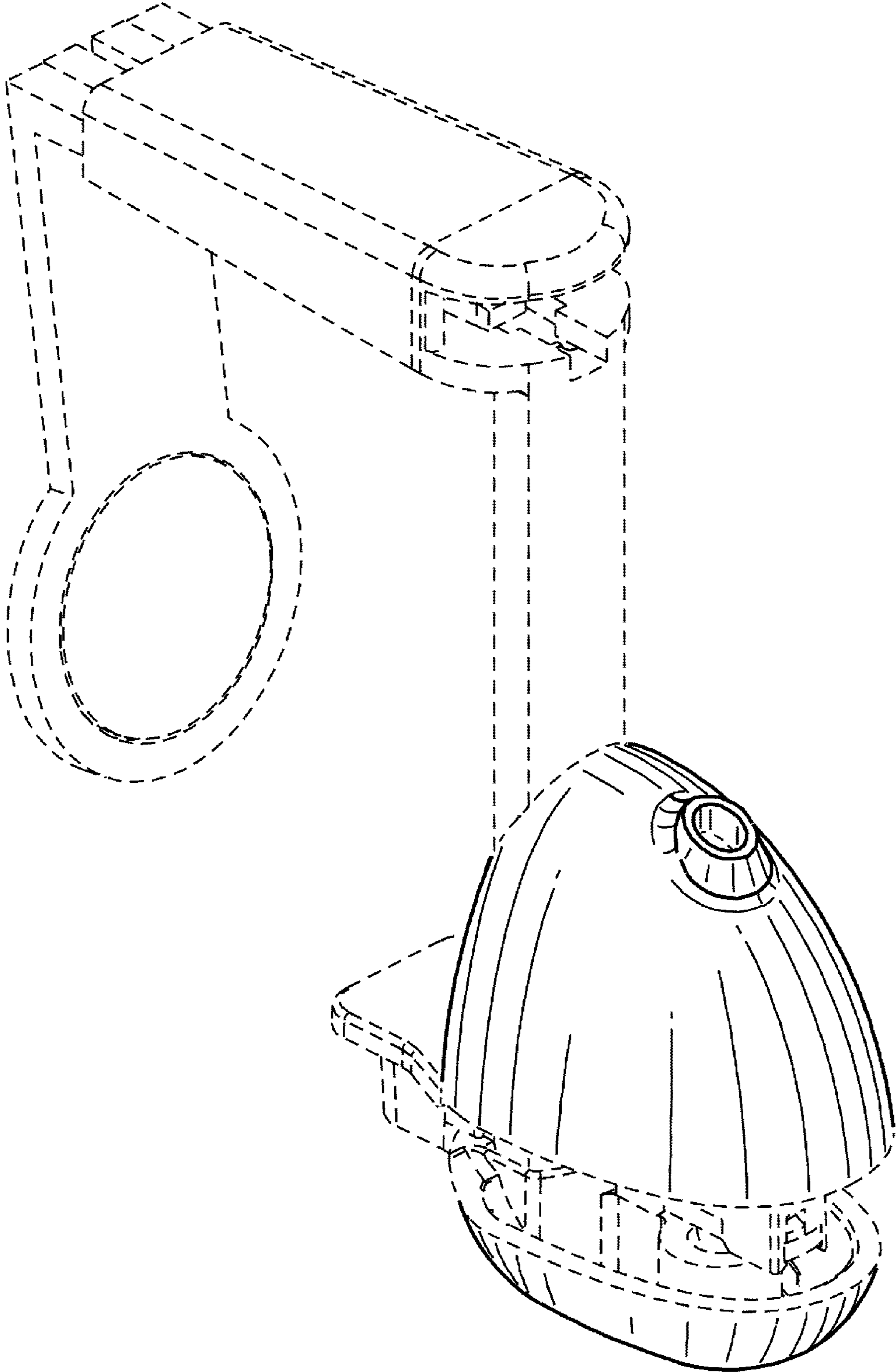


FIG. 1

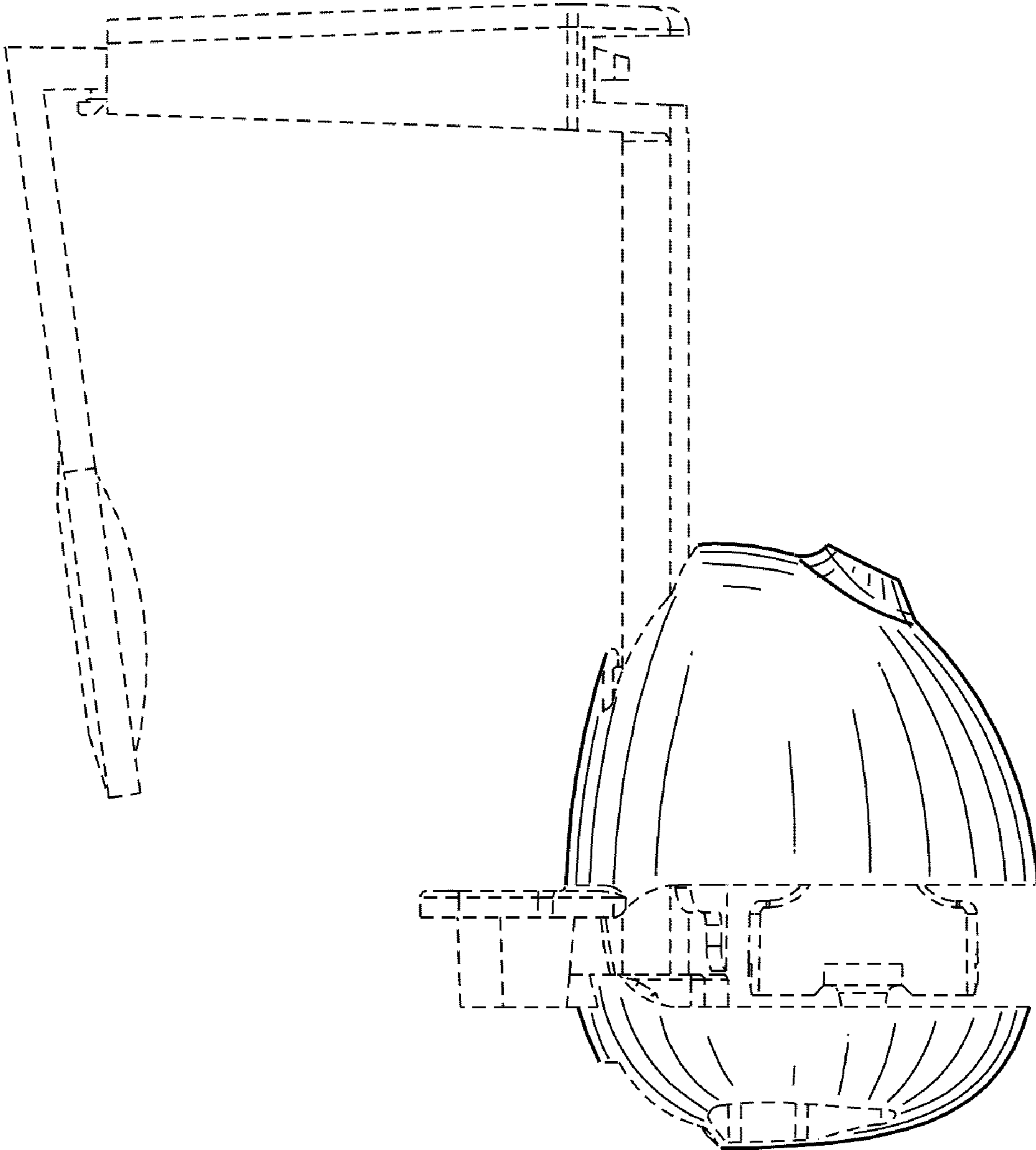


FIG. 2

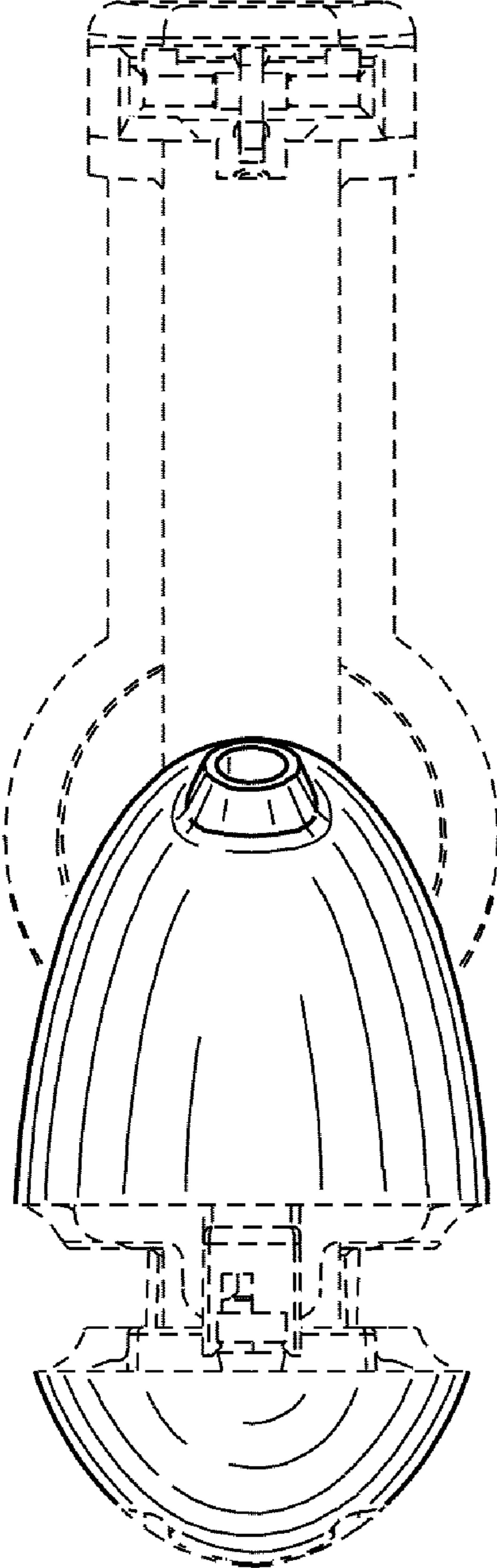


FIG. 3

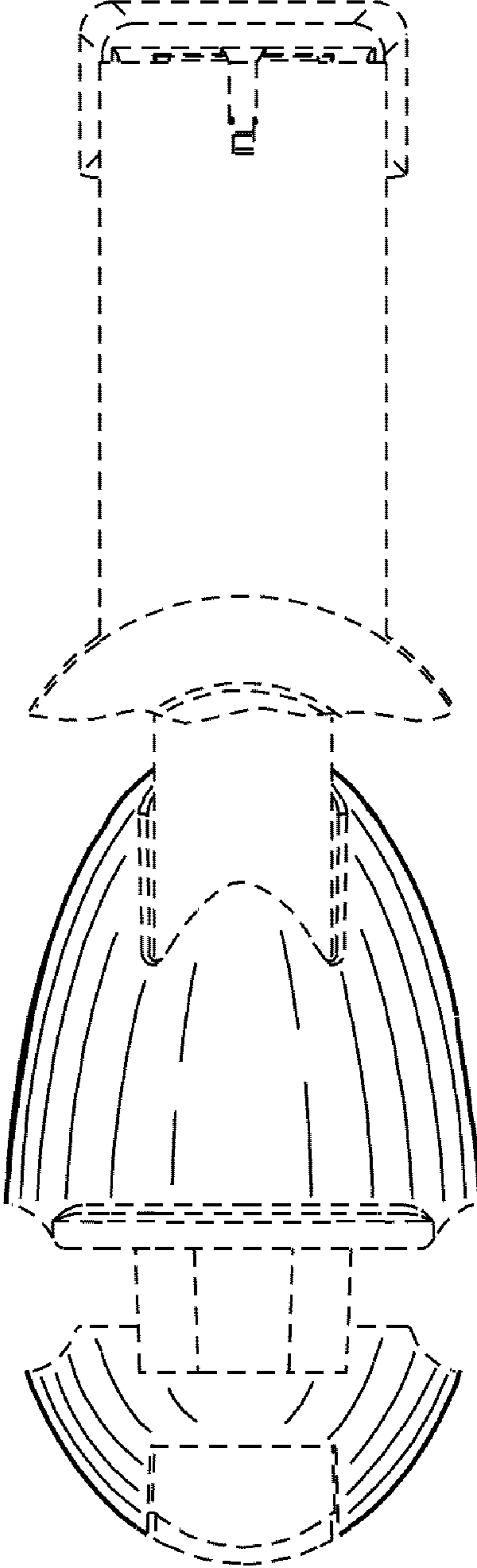


FIG. 4

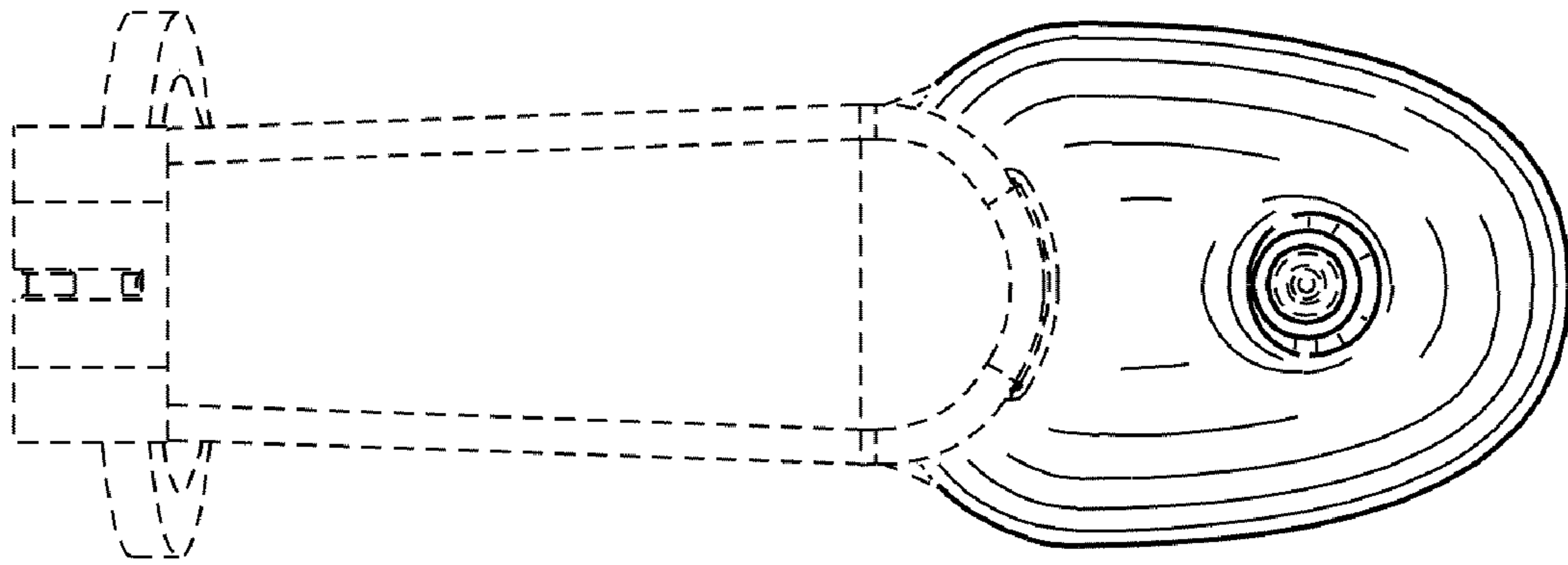


FIG. 5

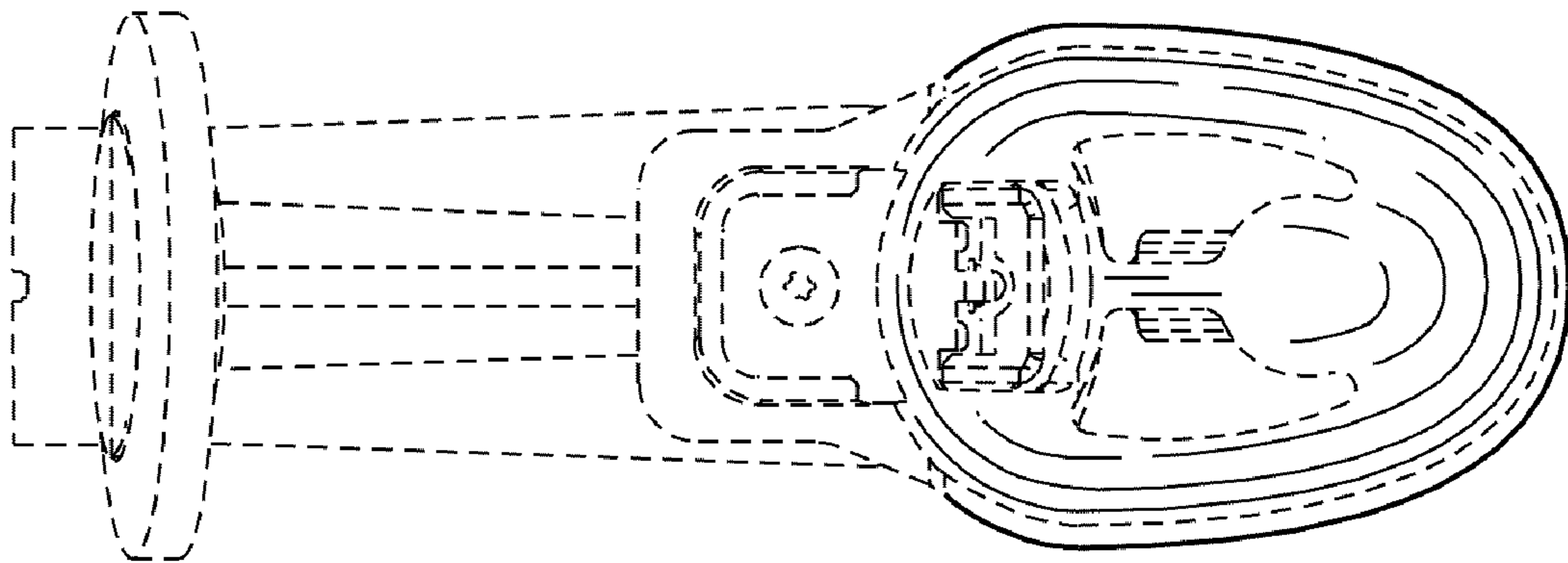


FIG. 6