



US00D643100S

(12) **United States Design Patent**
Whitehead et al.

(10) **Patent No.:** **US D643,100 S**
(45) **Date of Patent:** **** Aug. 9, 2011**

(54) **AIR FRESHENER**

(76) Inventors: **Kenneth R. Whitehead**, Wind Gap, PA (US); **Ronald B. Smith**, Hockessin (DE)

(**) Term: **14 Years**

(21) Appl. No.: **29/378,518**

(22) Filed: **Nov. 5, 2010**

(51) **LOC (9) Cl.** **28-99**

(52) **U.S. Cl.** **D23/366**

(58) **Field of Classification Search** D23/355-369;
D28/5, 6; 261/DIG. 17, DIG. 42, DIG. 65,
261/DIG. 88, DIG. 89; 392/386, 390-395;
239/34, 35, 44-47, 50, 53, 56, 60, 145, 326

See application file for complete search history.

(56) **References Cited**

U.S. PATENT DOCUMENTS

2,128,118	A *	8/1938	Burford	248/346.11
2,301,385	A *	11/1942	Ehrgott	248/346.11
2,851,713	A *	9/1958	Tupper	15/105
D539,698	S *	4/2007	Choi	D11/220
D598,530	S *	8/2009	Whitehead et al.	D23/366

* cited by examiner

Primary Examiner — Sandra Snapp

(74) *Attorney, Agent, or Firm* — Louis C Paul

(57) **CLAIM**

The ornamental design for an air freshener, as shown and described.

DESCRIPTION

FIG. 1 is a top left perspective view of the air freshener of the present invention in the closed position. By “closed position” is meant “in-use”. The top right perspective view of the air freshener of the present invention in the closed position is identical/symmetrical to the top left perspective view of the air freshener of the present invention in the closed position. FIG. 2 is a bottom left perspective view of the air freshener of the present invention in the closed position. The bottom right

perspective view of the air freshener of the present invention in the closed position is identical/symmetrical to the bottom left perspective view of the air freshener of the present invention in the closed position.

FIG. 3 is a top plan view of the air freshener of the present invention in the closed position.

FIG. 4 is a bottom plan view of the air freshener of the present invention in the closed position.

FIG. 5 is a left side elevation view of the air freshener of the present invention in the closed position. The right side elevation view of the air freshener of the present invention in the closed position is identical/symmetrical to the left side elevation view of the air freshener of the present invention in the closed position.

FIG. 6 is a front elevation view of the air freshener of the present invention in the closed position.

FIG. 7 is a top left perspective view of the air freshener of the present invention in the open position. By “open position” is meant the product as shipped or stored. The top right perspective view of the air freshener of the present invention in the open position is identical/symmetrical to the top left perspective view of the air freshener of the present invention in the open position.

FIG. 8 is a bottom left perspective view of the air freshener of the present invention in the open position. The bottom right perspective view of the air freshener of the present invention in the open position is identical/symmetrical to the bottom left perspective view of the air freshener of the present invention in the open position.

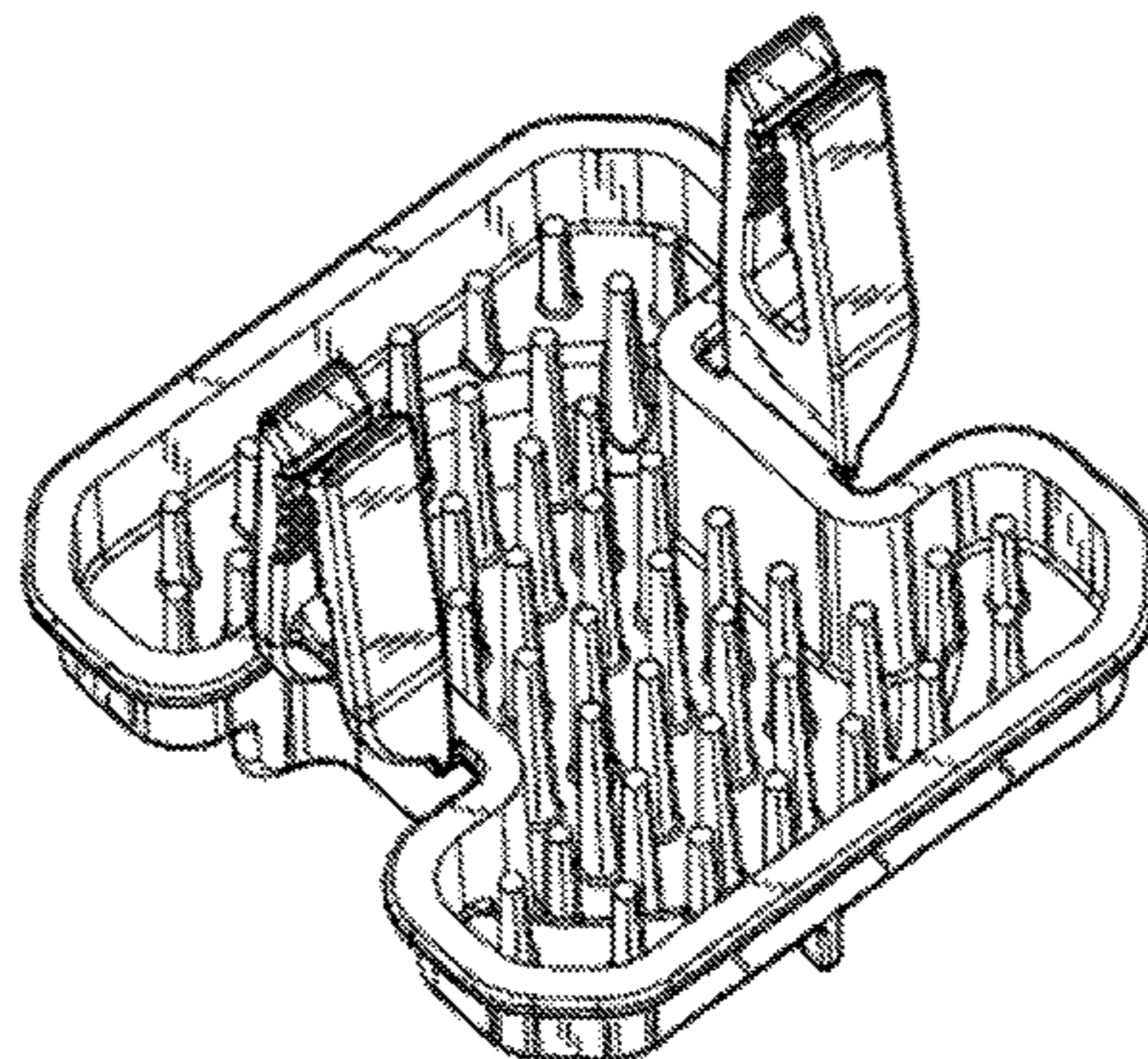
FIG. 9 is a top plan view of the air freshener of the present invention in the open position.

FIG. 10 is a bottom plan view of the air freshener of the present invention in the open position.

FIG. 11 is a left side elevation view of the air freshener of the present invention in the open position. The right side elevation view of the air freshener of the present invention in the open position is identical/symmetrical to the left side elevation view of the air freshener of the present invention in the open position; and,

FIG. 12 is a front elevation view of the air freshener of the present invention in the open position.

1 Claim, 12 Drawing Sheets



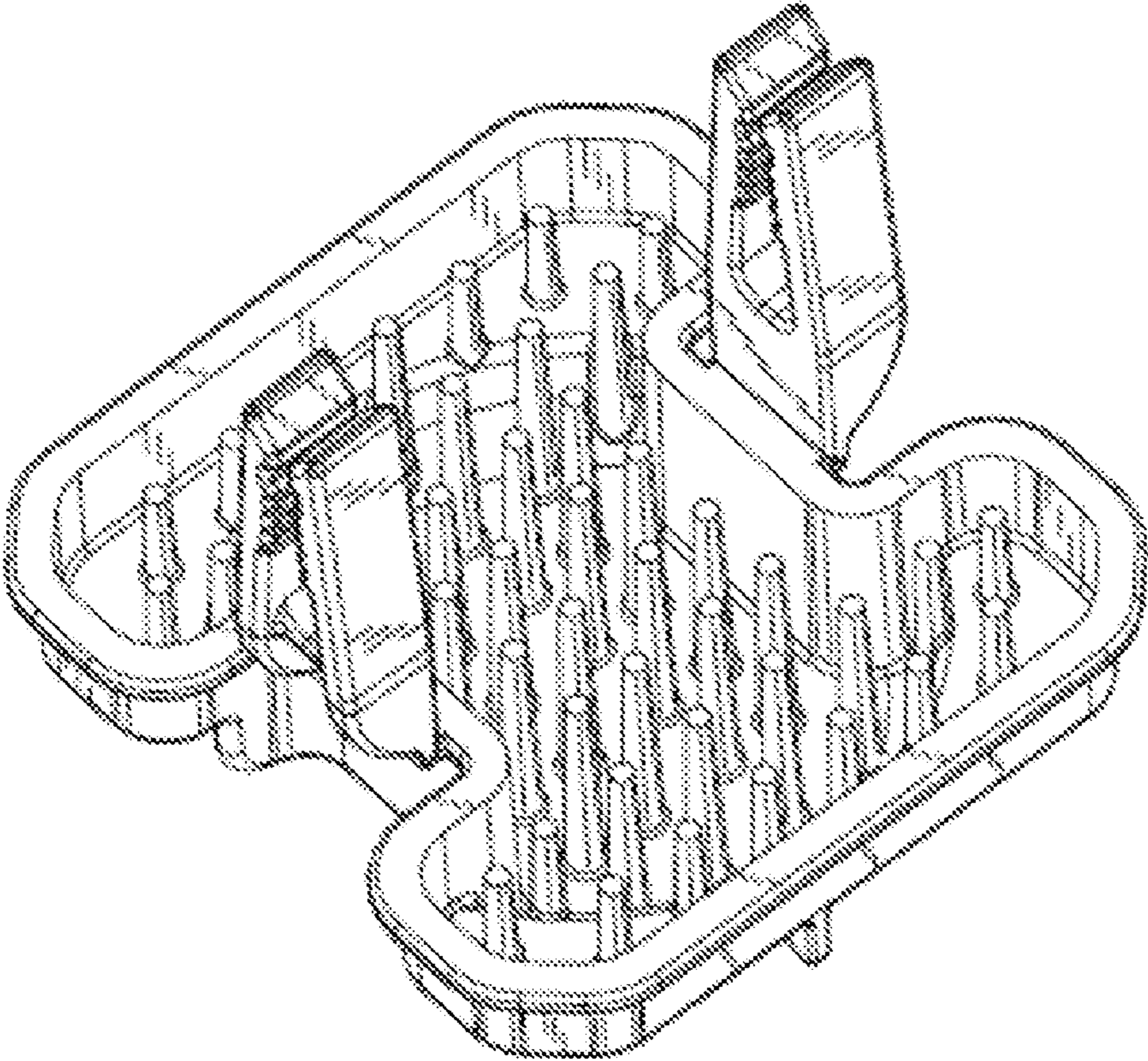


FIG. 1

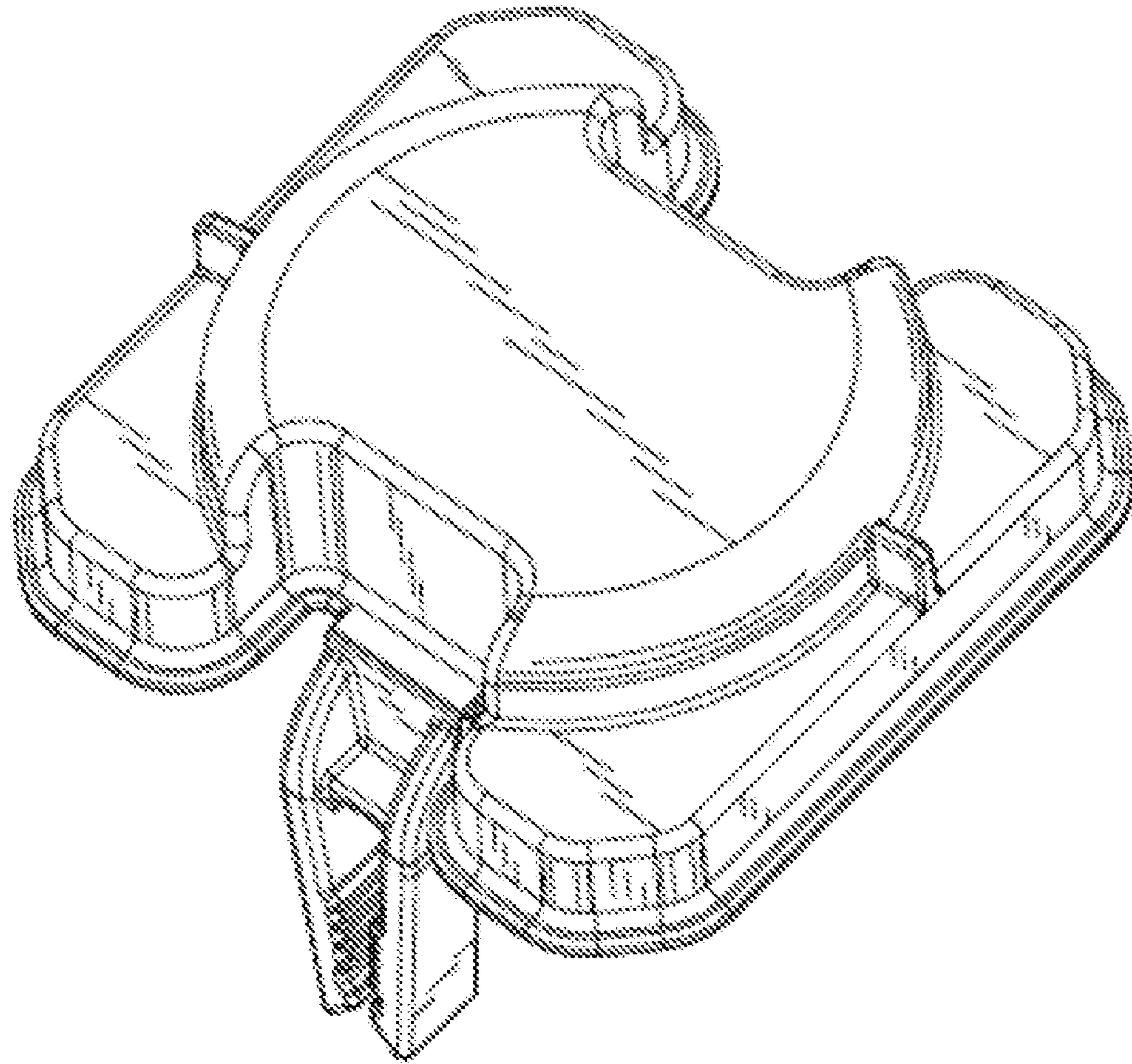


FIG. 2

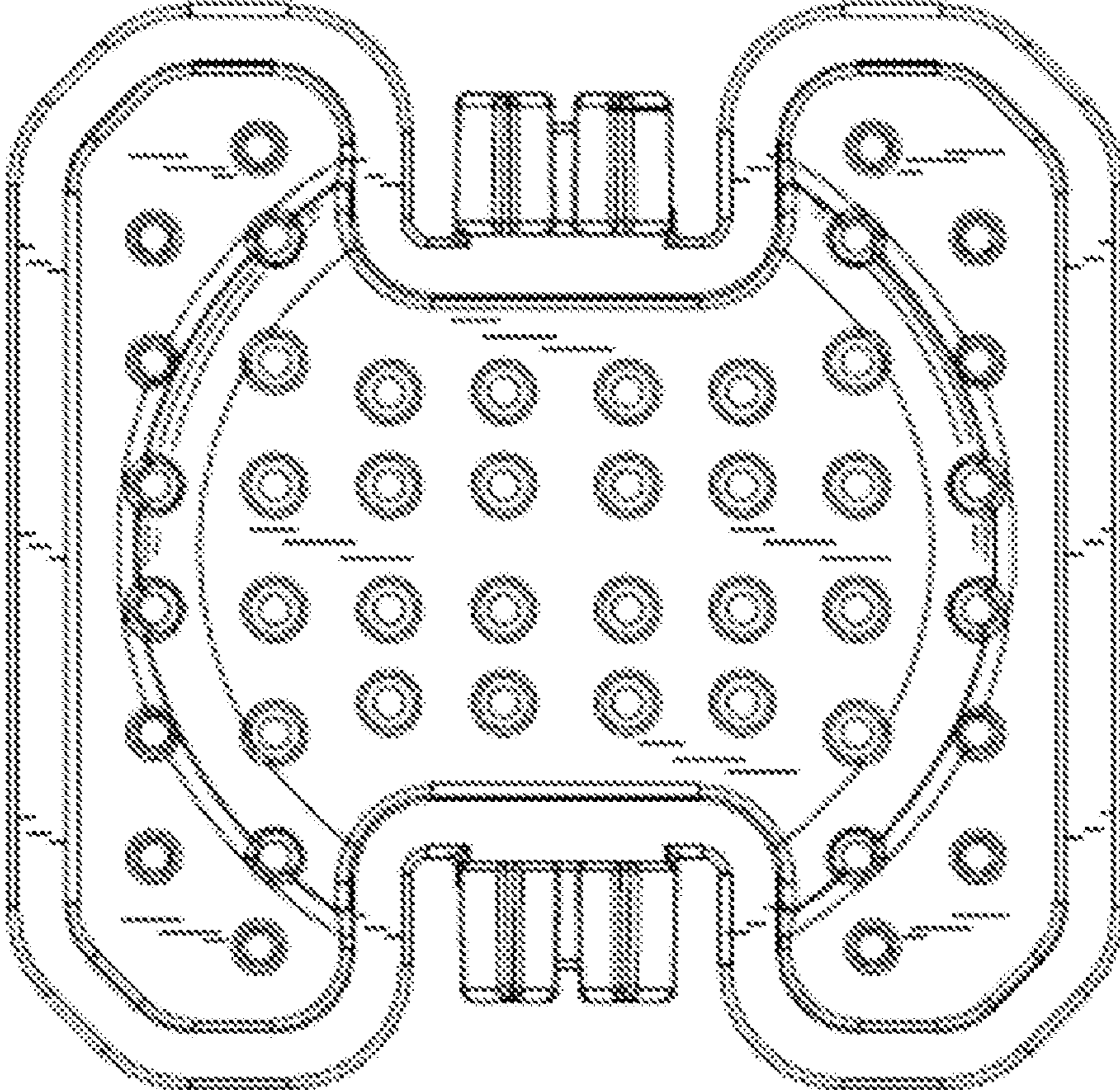


FIG. 3

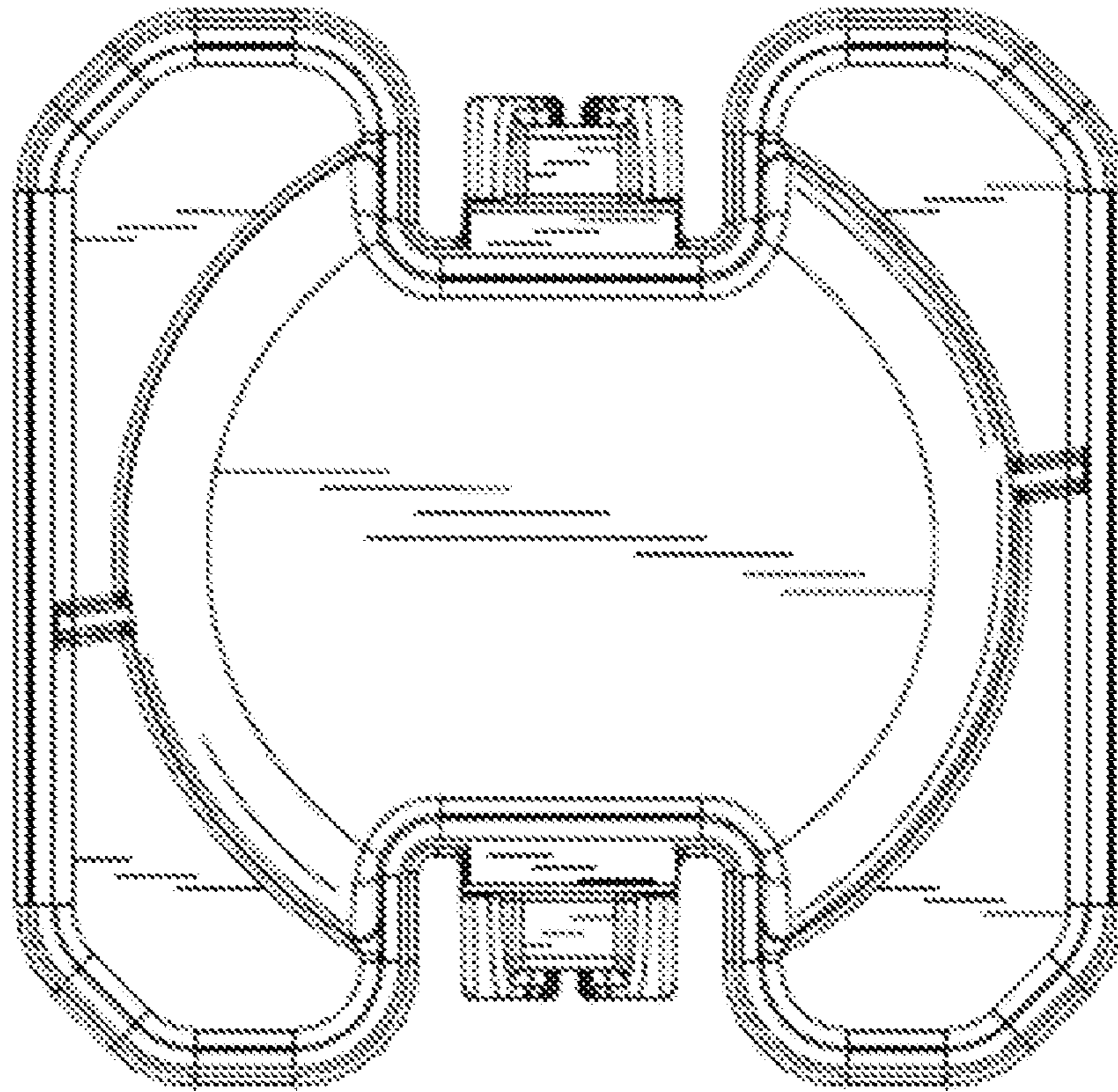


FIG. 4

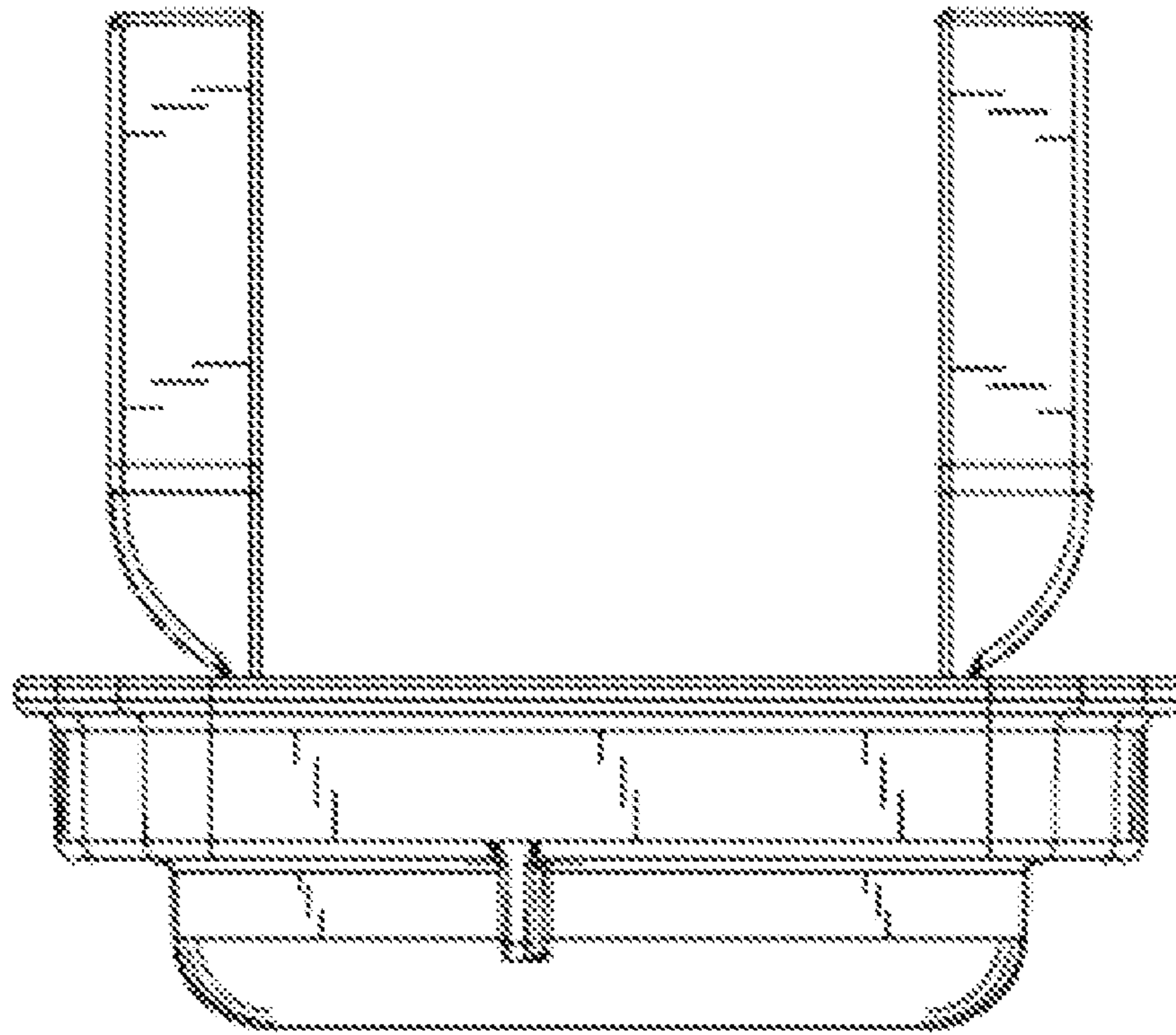


FIG. 5

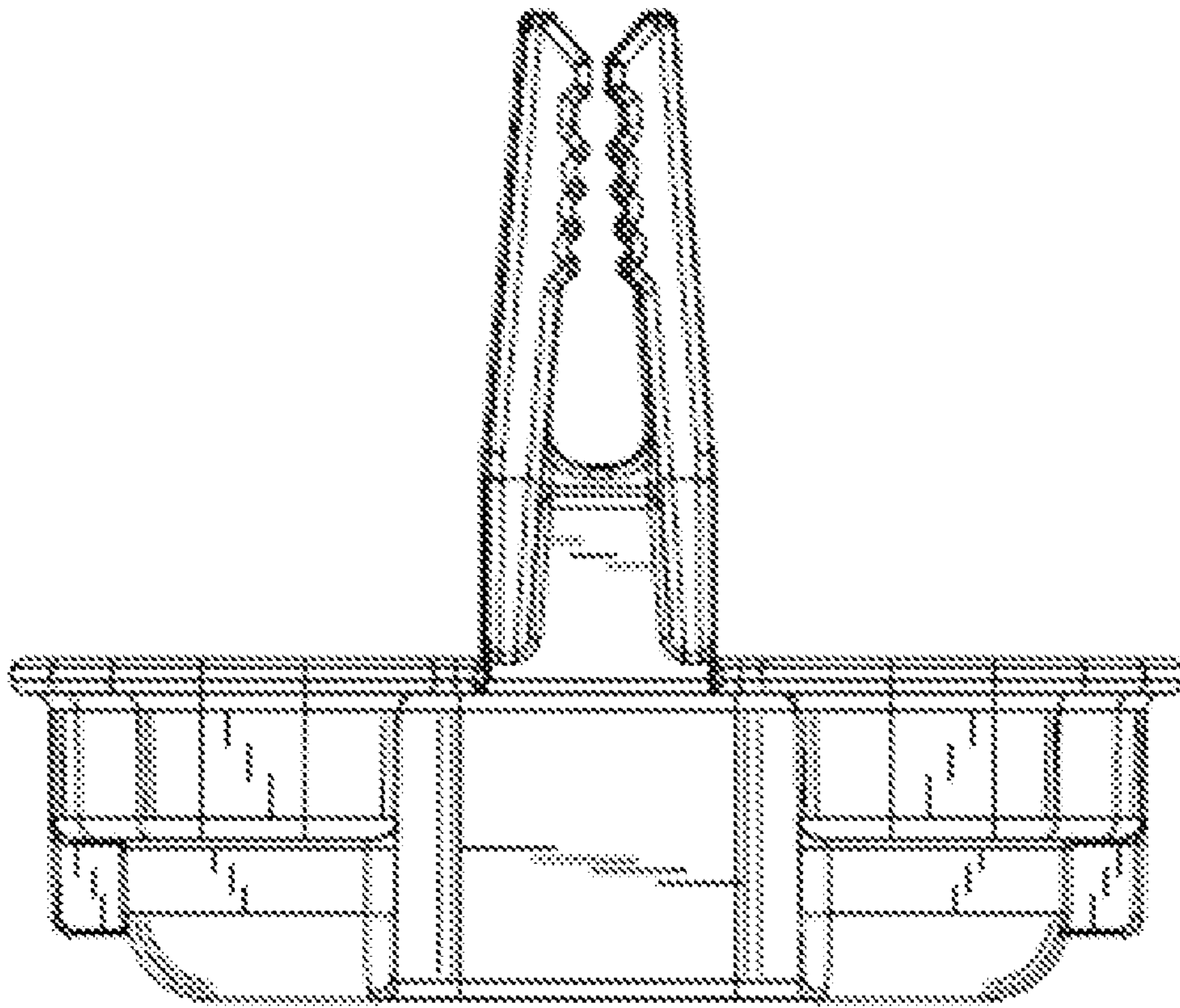


FIG. 6

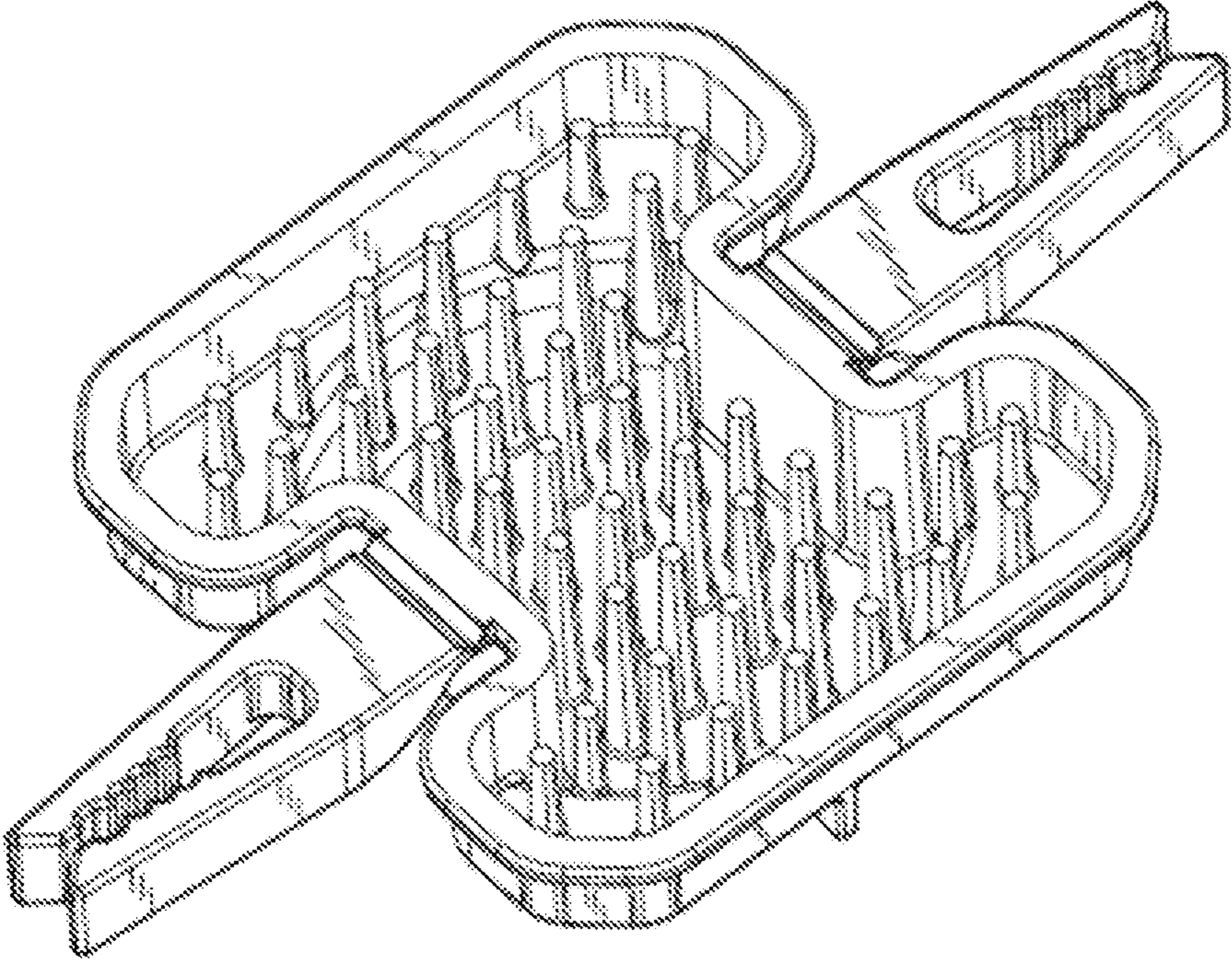


FIG. 7

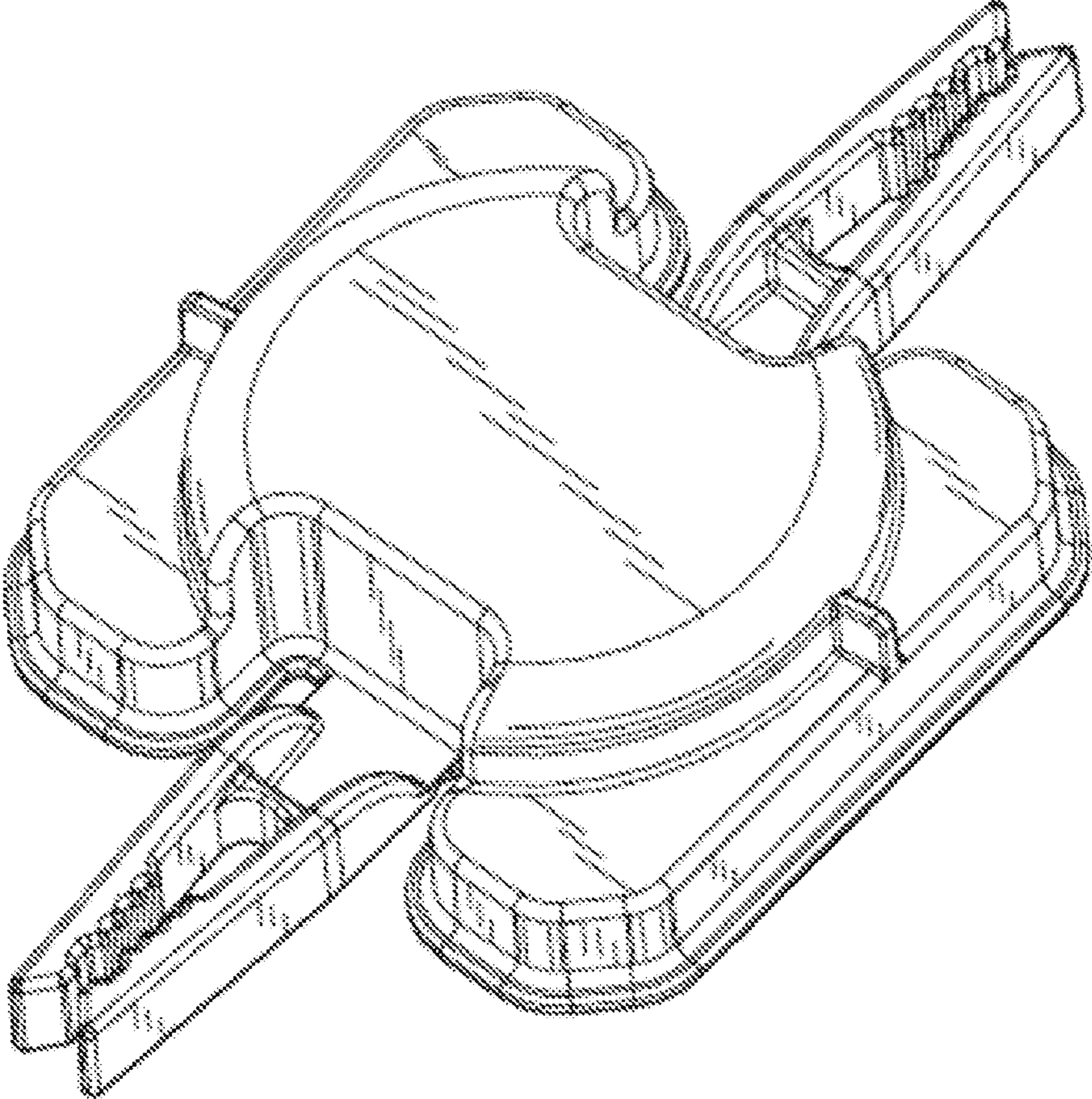


FIG. 8

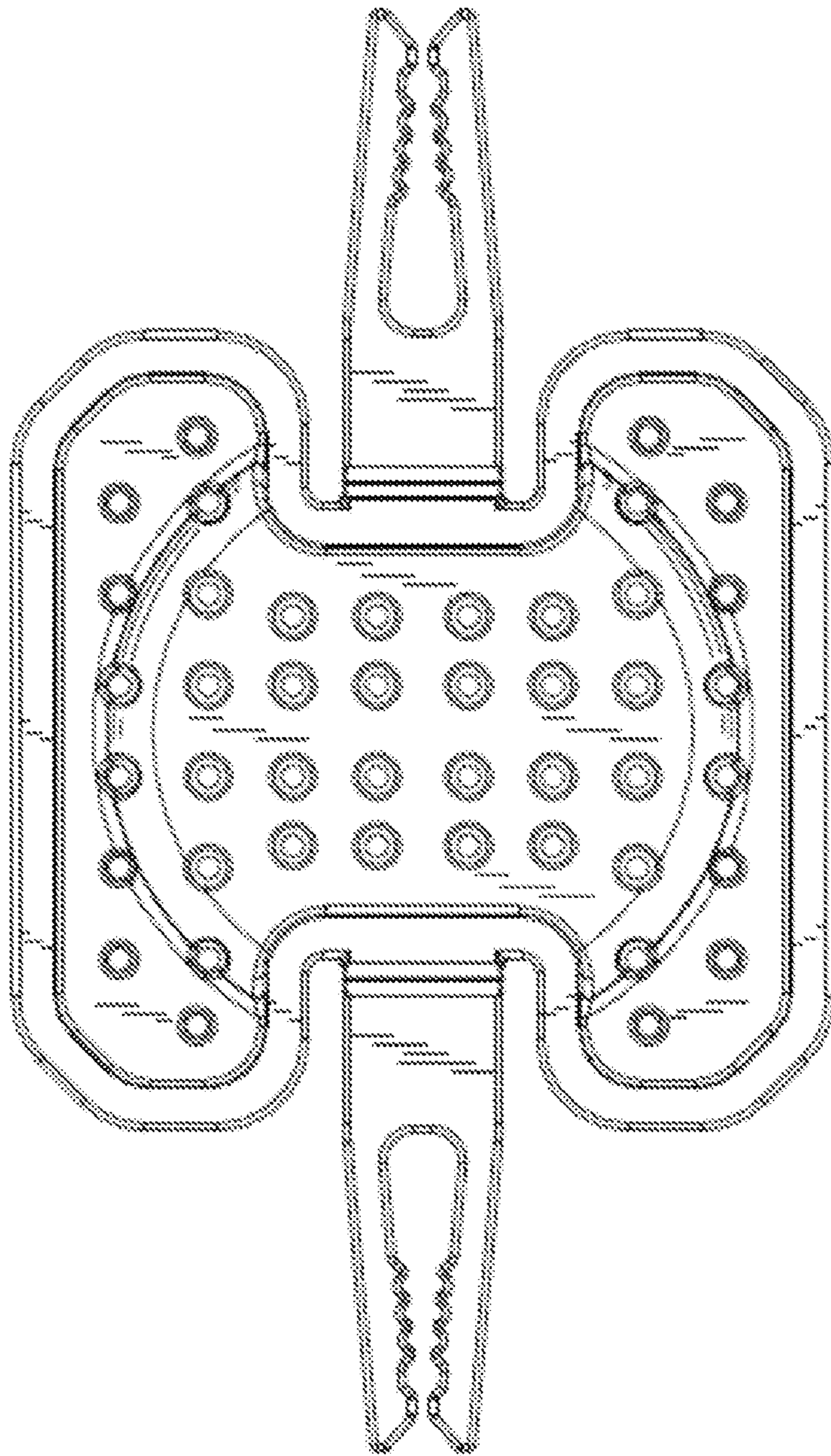


FIG. 9

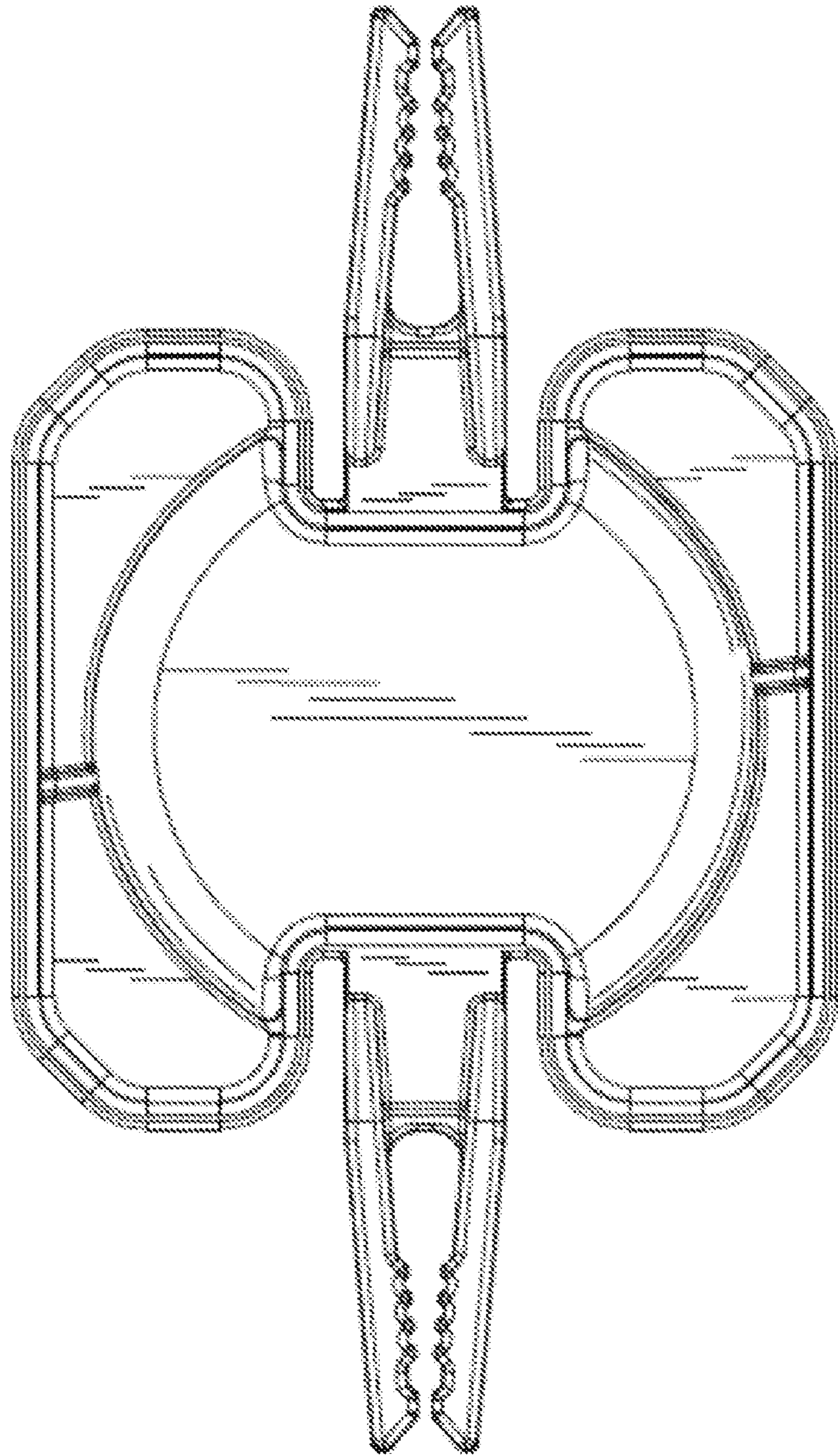


FIG. 10

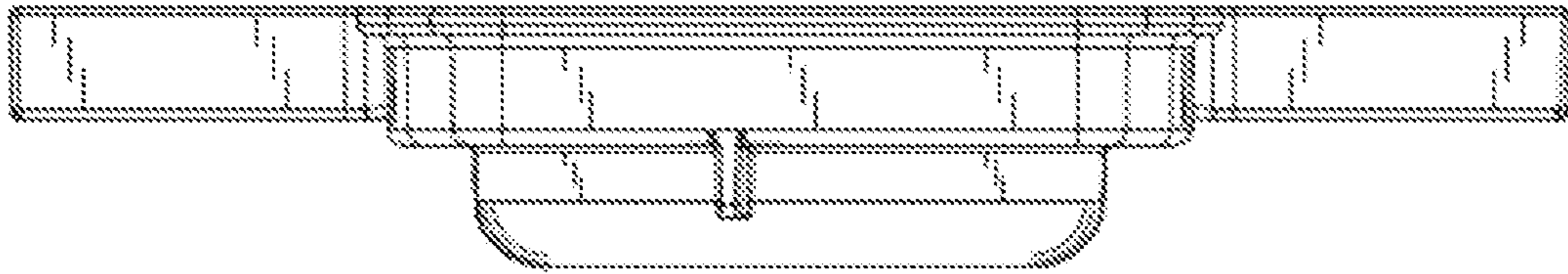


FIG. 11

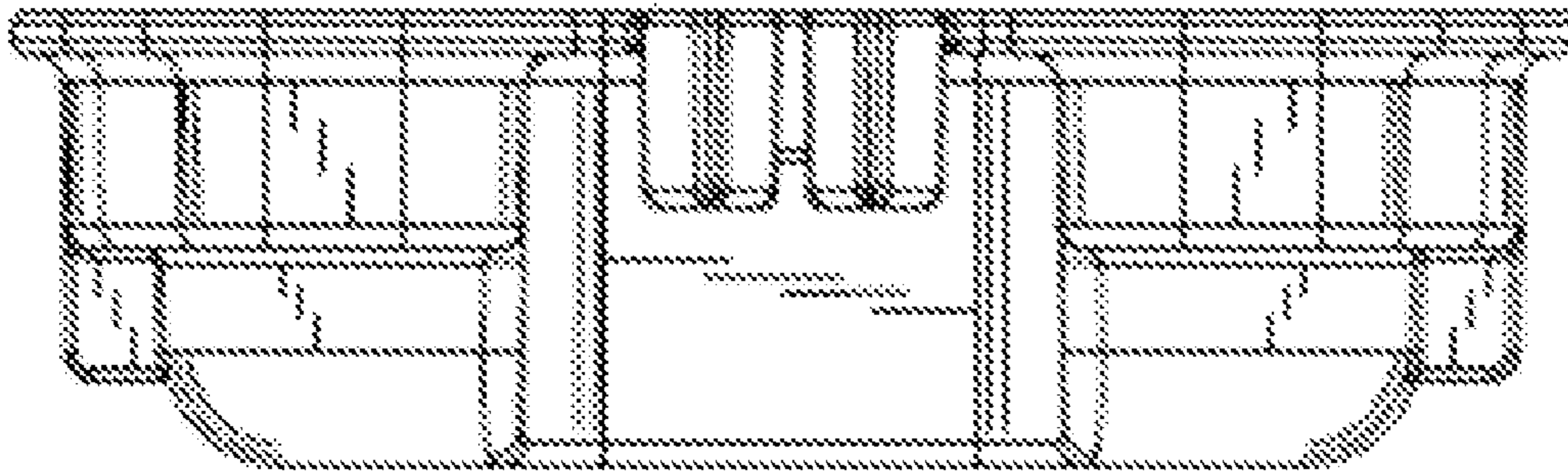


FIG. 12