

US00D643099S

(12) **United States Design Patent**
Bates et al.

(10) **Patent No.:** **US D643,099 S**

(45) **Date of Patent:** **** Aug. 9, 2011**

(54) **FILTER FRAME FOR A DUST REMOVAL AND PREVENTION DEVICE**

(75) Inventors: **Julie L. Bates**, Franklin, WI (US);
David H. Leifheit, Racine, WI (US)

(73) Assignee: **S.C. Johnson & Son, Inc.**, Racine, WI (US)

(**) Term: **14 Years**

(21) Appl. No.: **29/336,100**

(22) Filed: **Apr. 28, 2009**

(51) **LOC (9) Cl.** **23-04**

(52) **U.S. Cl.** **D23/365**

(58) **Field of Classification Search** D23/355-365,
D23/352, 366, 369, 332, 333, 335, 336, 342,
D23/351, 209; 422/120, 122; 55/356, 473,
55/504; 96/97; D14/188, 170, 172, 223;
261/DIG. 17, DIG. 65, DIG. 88, DIG. 31;
137/296; 210/450; D32/31; D7/391; D12/197
See application file for complete search history.

(56) **References Cited**

U.S. PATENT DOCUMENTS

D164,698	S	*	10/1951	Mathews	D23/209
4,602,654	A	*	7/1986	Stehling et al.	137/296
D306,199	S	*	2/1990	Meissner	D23/209
D306,640	S	*	3/1990	Kott	D23/209
5,102,435	A		4/1992	Rau et al.		
5,188,646	A		2/1993	Nolen, Jr.		
5,376,271	A	*	12/1994	Morgan, Jr.	210/450
5,378,254	A		1/1995	Maly et al.		
D355,702	S	*	2/1995	Johnson	D23/209
RE34,980	E		6/1995	Rau et al.		
RE35,236	E		5/1996	Nolen, Jr.		
5,536,290	A		7/1996	Stark et al.		
5,730,766	A		3/1998	Clements		
5,766,289	A		6/1998	Haggard		
5,916,435	A		6/1999	Spearman et al.		

5,954,848	A		9/1999	Otto et al.		
5,972,059	A		10/1999	Morgan		
6,051,144	A		4/2000	Clack et al.		
6,387,144	B1		5/2002	Jaroszczyk et al.		
D475,165	S	*	5/2003	Biere et al.	D32/31
6,599,343	B2		7/2003	Fredrick et al.		
6,620,223	B2		9/2003	Bloomer		
6,660,060	B2		12/2003	Chasen		
6,734,801	B2		5/2004	Scotfield		
6,849,107	B1		2/2005	Huffman		
6,860,916	B2		3/2005	Kubokawa et al.		
6,921,480	B2		7/2005	Post		
6,960,245	B2		11/2005	Tokar et al.		
6,994,744	B2		2/2006	Tokar et al.		
7,008,465	B2		3/2006	Graham et al.		
7,008,467	B2		3/2006	Krisko et al.		
7,150,774	B2		12/2006	Kubokawa et al.		

(Continued)

Primary Examiner — David Muller

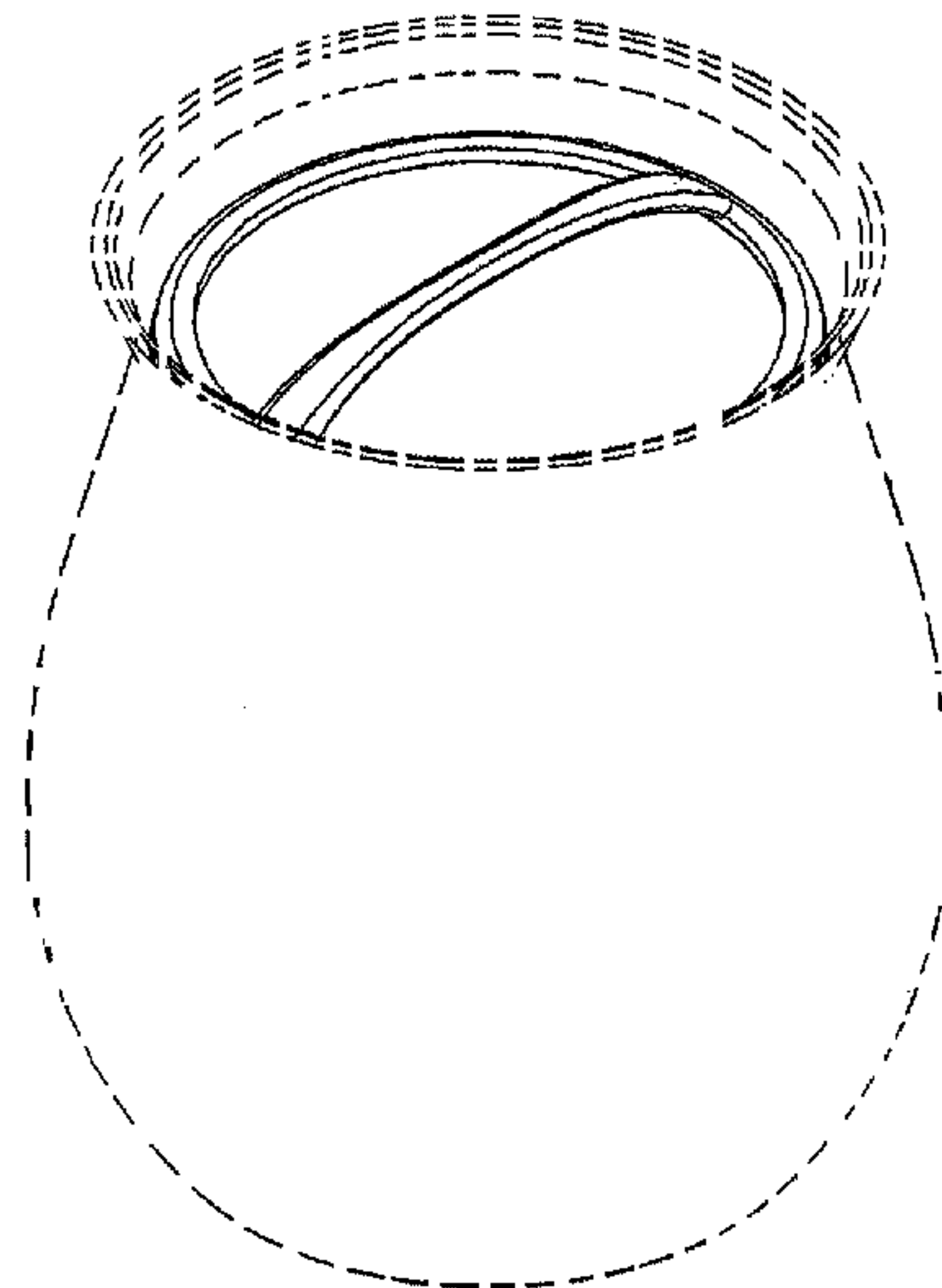
(57) **CLAIM**

The ornamental design for a filter frame for a dust removal and prevention device, substantially as shown and described.

DESCRIPTION

FIG. 1 is an isometric view of a filter frame for a dust removal and prevention device according to the present invention; FIG. 2 is a front elevation view of the filter frame of FIG. 1; FIG. 3 is a side elevation view of the filter frame of FIG. 1; FIG. 4 is a rear elevation view of the filter frame of FIG. 1; FIG. 5 is a top plan view of the filter frame of FIG. 1; FIG. 6 is an opposite side elevation view of the filter frame of FIG. 1; and, FIG. 7 is a bottom plan view of the filter frame of FIG. 1. The dash dot lines immediately adjacent to the claimed areas in the views represent the boundaries of the claimed design. The dashed lines in the figures illustrate the portions of the design that form no part of the claimed design. None of the broken lines form any part of the claimed design.

1 Claim, 7 Drawing Sheets



US D643,099 S

Page 2

U.S. PATENT DOCUMENTS

7,252,704	B2	8/2007	Tokar et al.		2004/0001003	A1	1/2004	Scofield
D554,745	S *	11/2007	Urfig	D23/351	2004/0182055	A1	9/2004	Wynn
D570,675	S *	6/2008	Snider et al.	D23/209	2004/0200354	A1	10/2004	Barris et al.
D571,145	S *	6/2008	Rae	D7/391	2005/0183405	A1	8/2005	Gillingham et al.
D575,216	S *	8/2008	Shelby	D12/197	2006/0196359	A1	9/2006	Gillingham et al.
D615,149	S *	5/2010	Reid et al.	D23/209	2007/0034082	A1	2/2007	Adair et al.
D617,316	S *	6/2010	Elabidi et al.	D14/223	2007/0157808	A1	7/2007	Wagner
2003/0126986	A1	7/2003	Chasen					

* cited by examiner

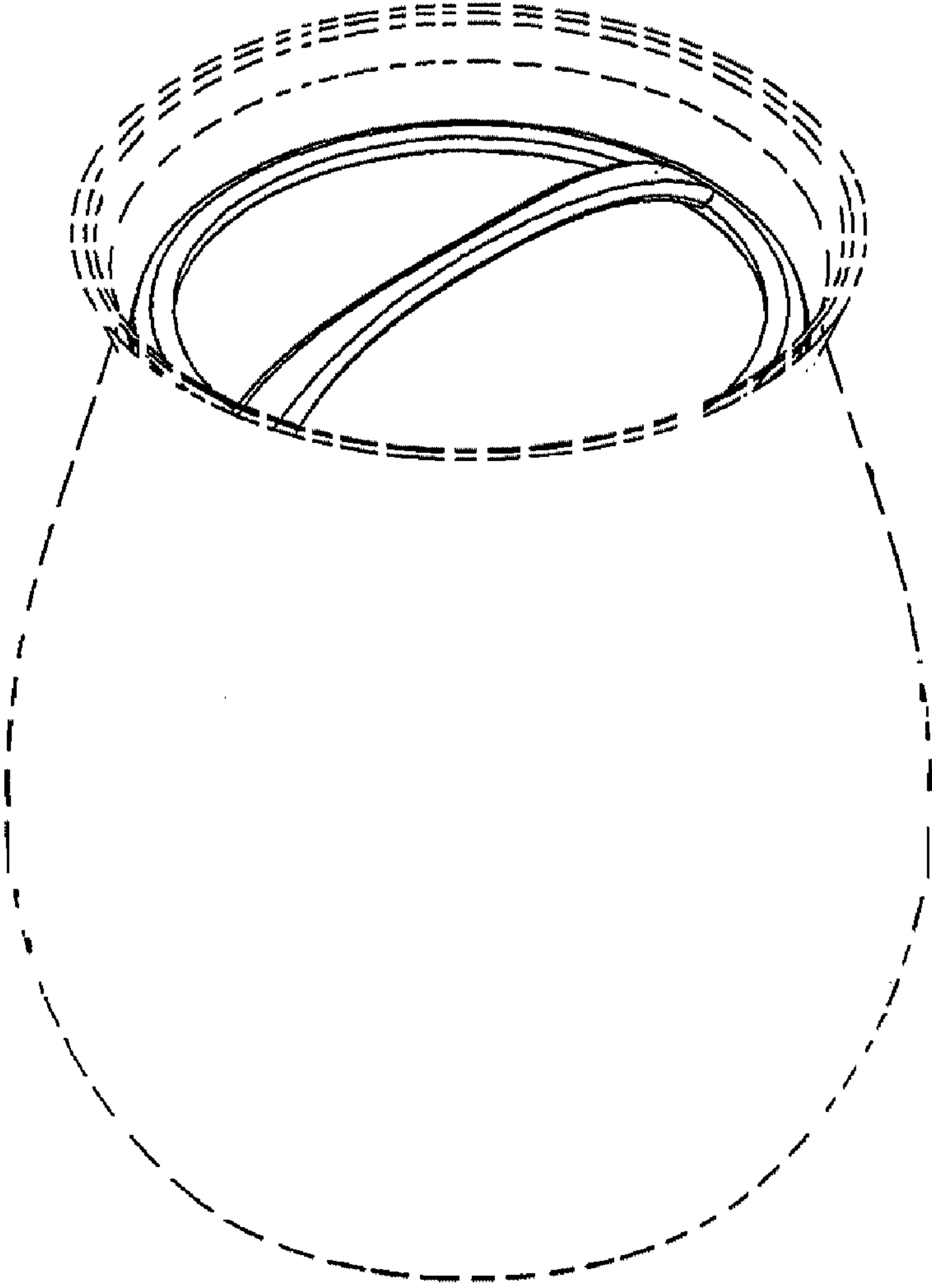


FIG. 1

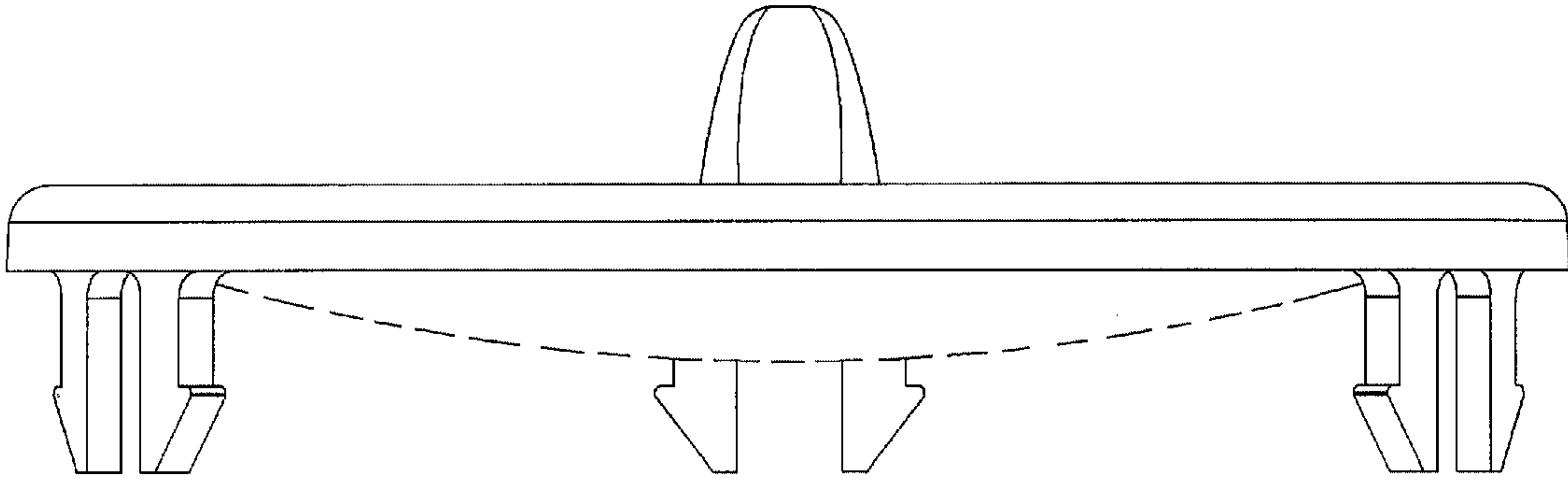


FIG. 2

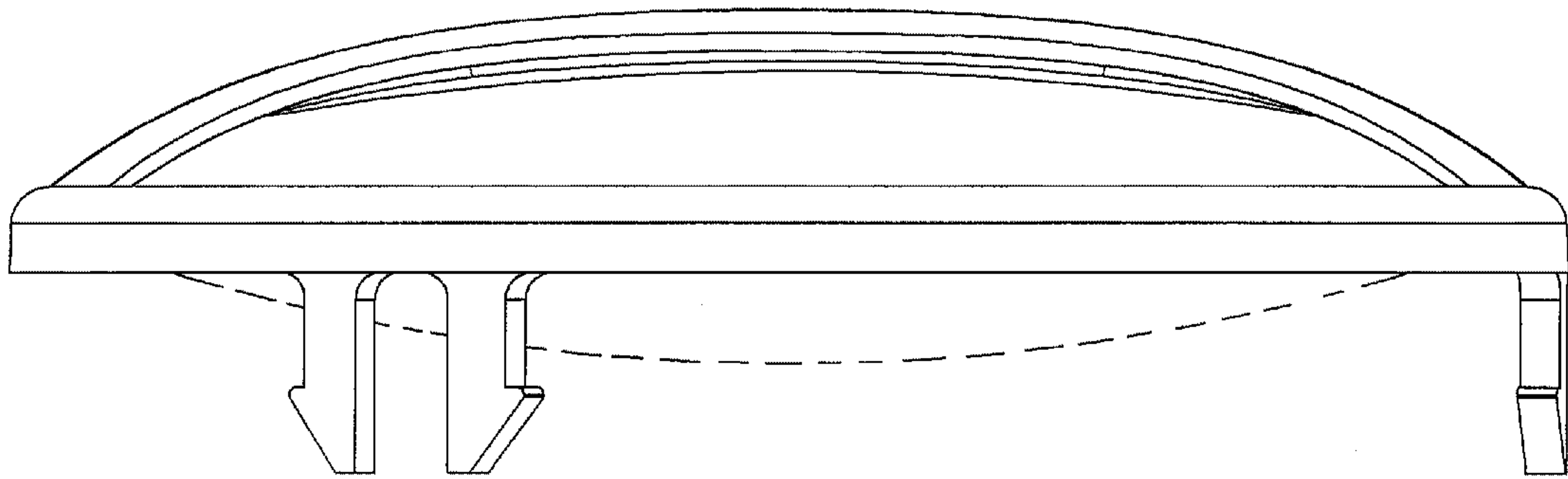


FIG. 3

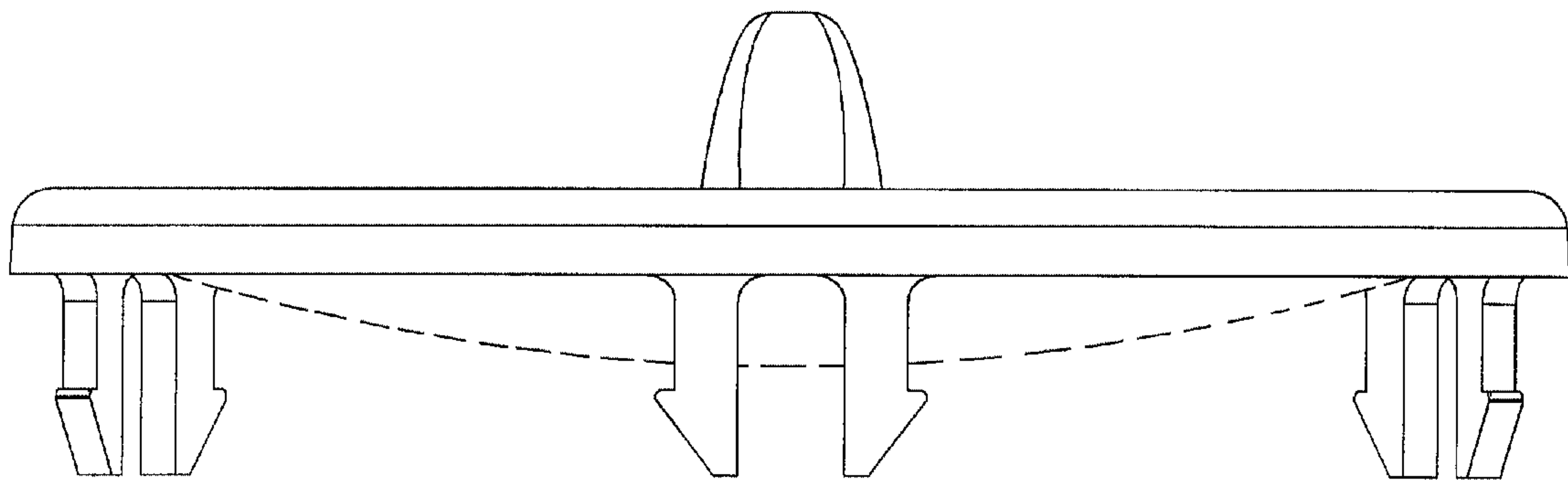


FIG. 4

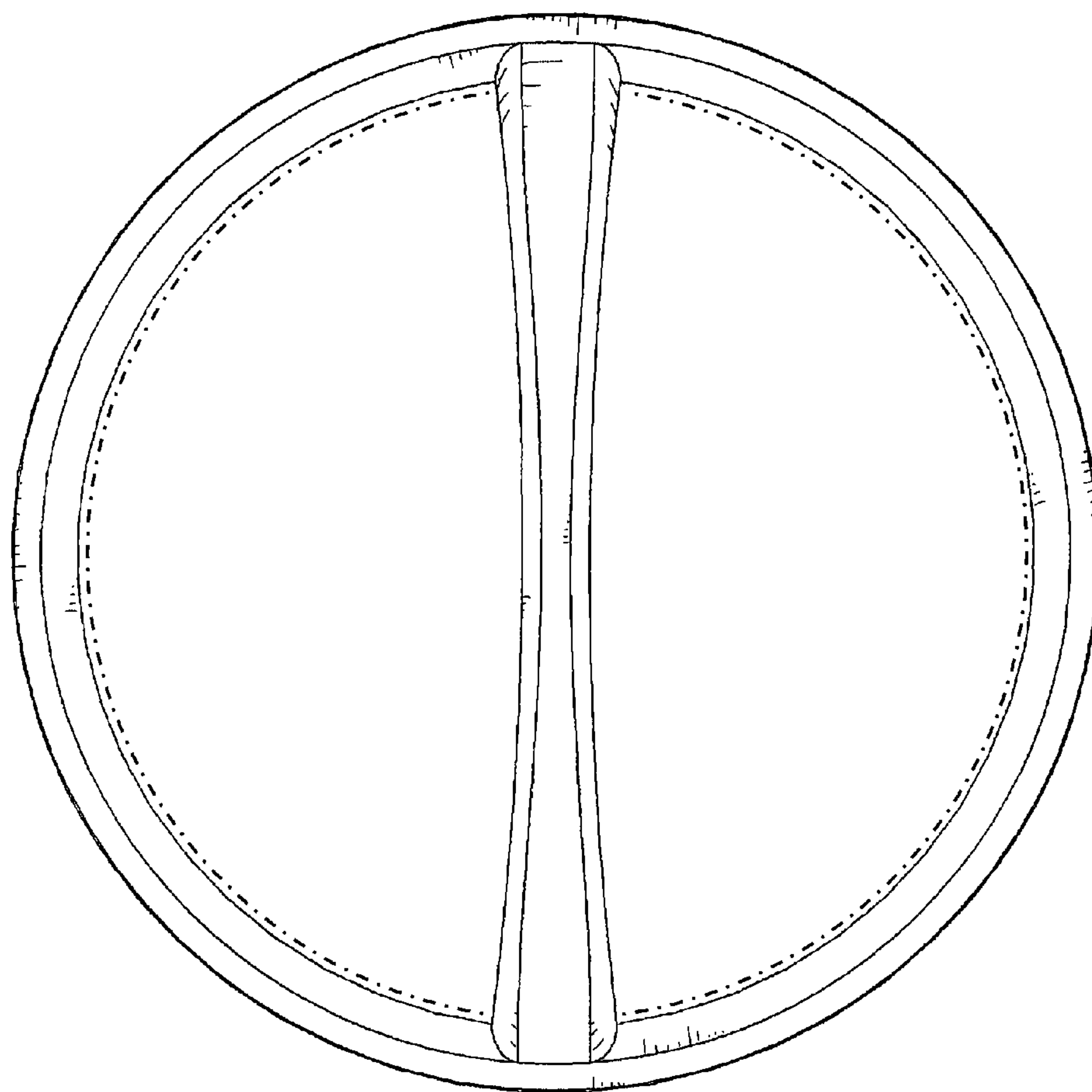


FIG. 5

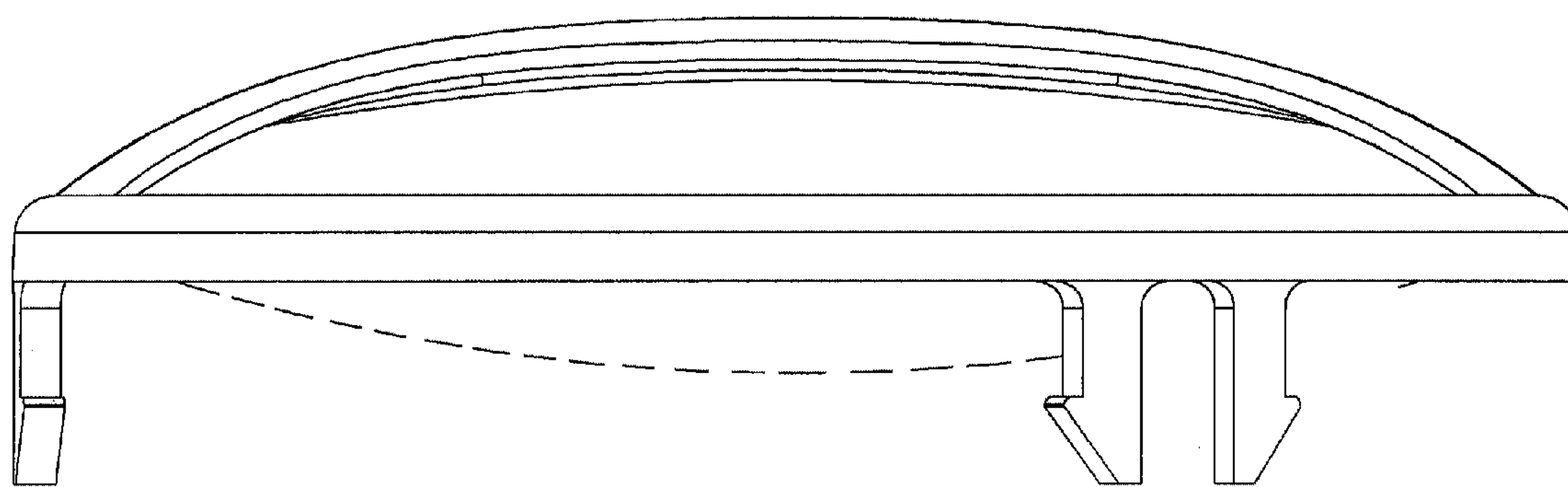


FIG. 6

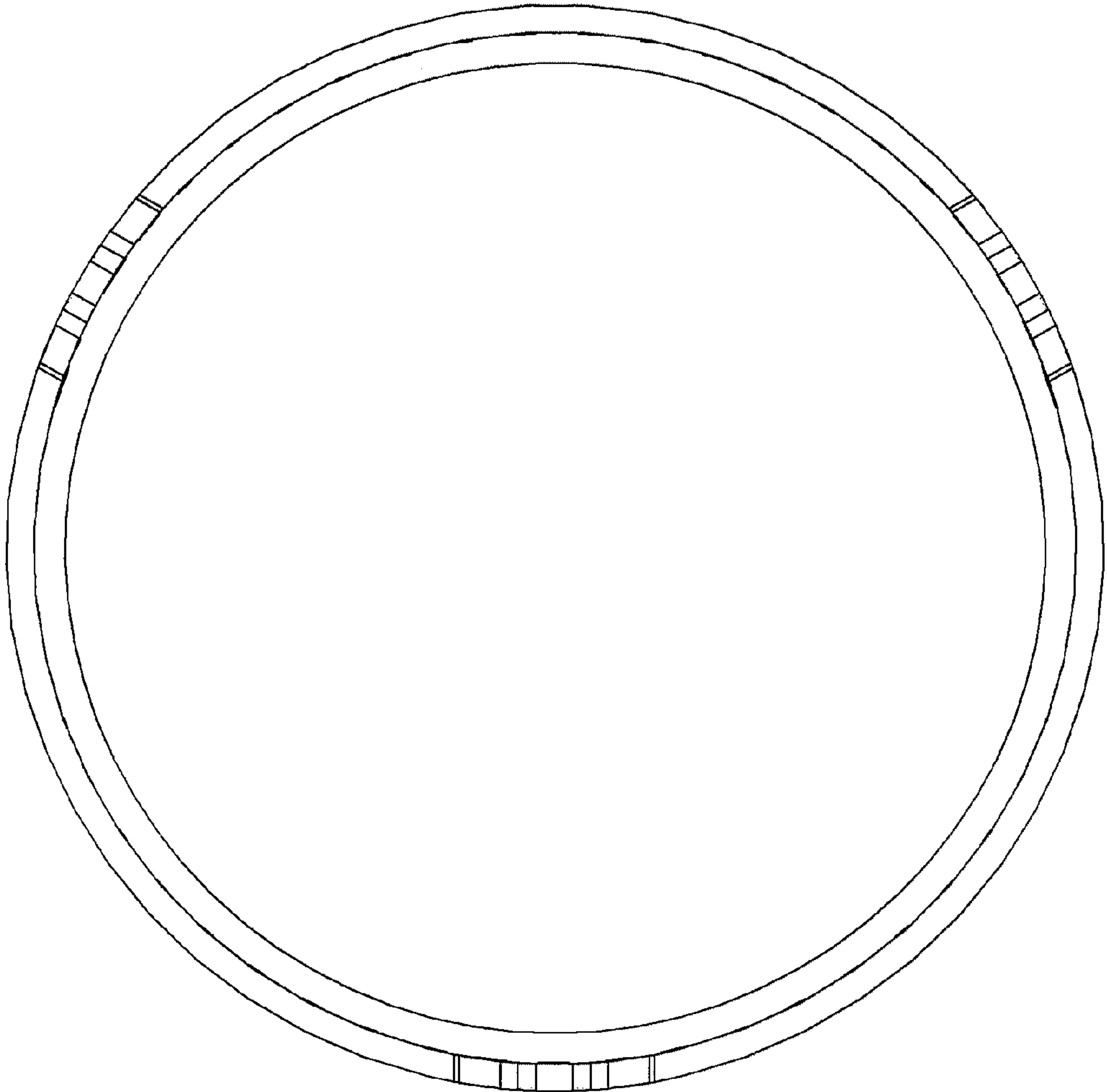


FIG. 7