



US00D643094S

(12) **United States Design Patent**
Matsuura et al.

(10) **Patent No.:** **US D643,094 S**

(45) **Date of Patent:** **** Aug. 9, 2011**

(54) **FAUCET AND HANDLE SET**

(75) Inventors: **Touichirou Matsuura**, Tokoname (JP);
Kensaku Oshiro, Mirano (IT)

(73) Assignee: **LIXIL Corporation**, Tokyo (JP)

(**) Term: **14 Years**

(21) Appl. No.: **29/367,499**

(22) Filed: **Aug. 9, 2010**

(30) **Foreign Application Priority Data**

Feb. 10, 2010 (JP) 2010-002994

(51) **LOC (9) Cl.** **23-01**

(52) **U.S. Cl.** **D23/242**

(58) **Field of Classification Search** D23/238,
D23/241-243, 250, 252, 255, 257; 4/676-678;
137/801

See application file for complete search history.

(56) **References Cited**

U.S. PATENT DOCUMENTS

4,750,519 A * 6/1988 Chao-Chun 137/625.17
D353,441 S * 12/1994 Haug et al. D23/238

D439,952 S * 4/2001 Fleischmann D23/238
* cited by examiner

Primary Examiner — Robert Delehanty

(74) *Attorney, Agent, or Firm* — Hamre, Schumann, Mueller
& Larson, P.C.

(57) **CLAIM**

The ornamental design for a faucet and handle set, as shown
and described.

DESCRIPTION

FIG. 1 is a perspective view of front, right and top plan of a
faucet and handle set showing our new design;

FIG. 2 is a front view thereof;

FIG. 3 is a rear view thereof;

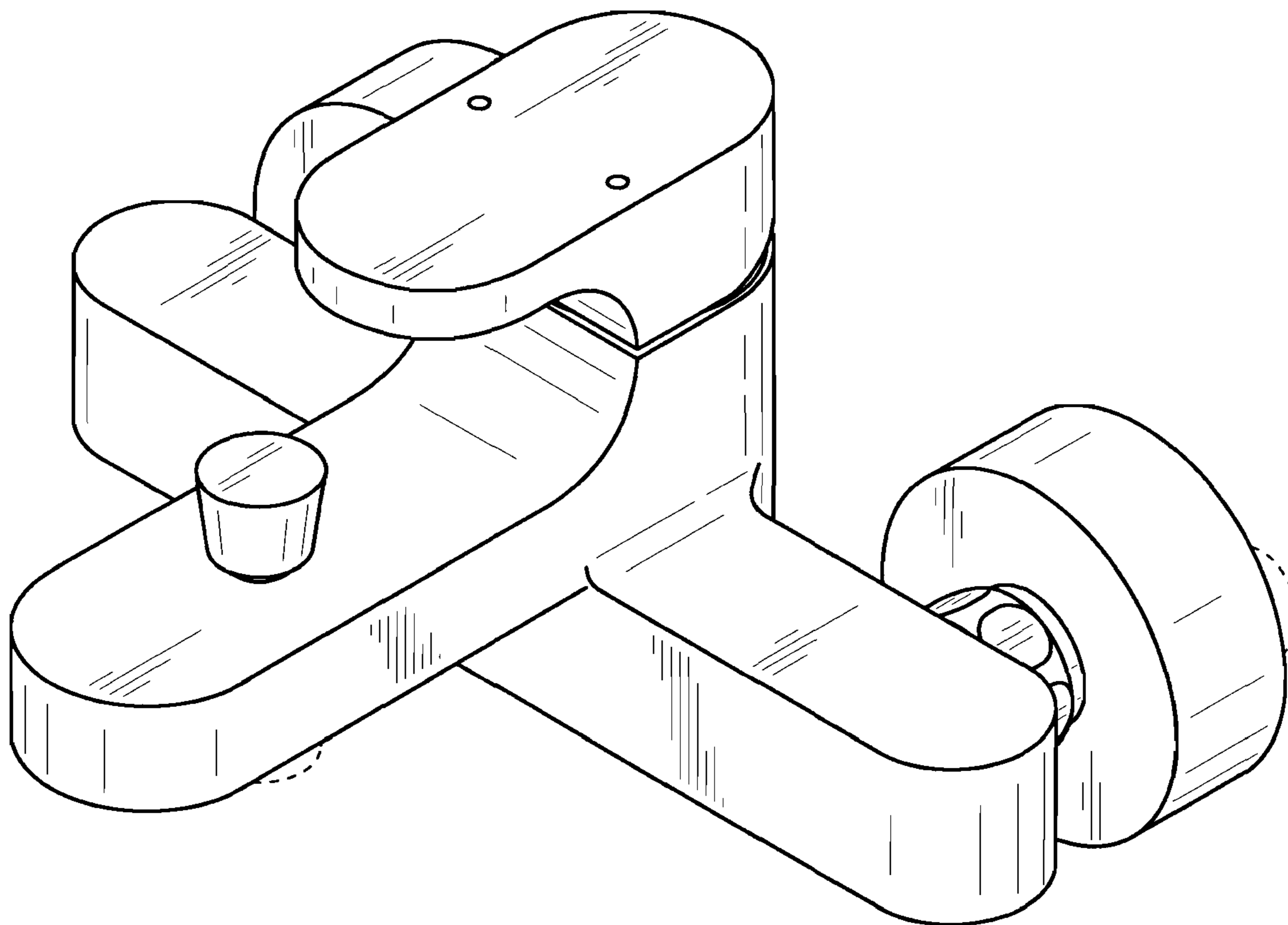
FIG. 4 is a top plan view thereof;

FIG. 5 is a bottom view thereof; and,

FIG. 6 is a right side view thereof; the left side view being
mirror image thereof.

The portions of the article in broken lines are shown for
illustrative purposes only and form no part of the claimed
design.

1 Claim, 5 Drawing Sheets



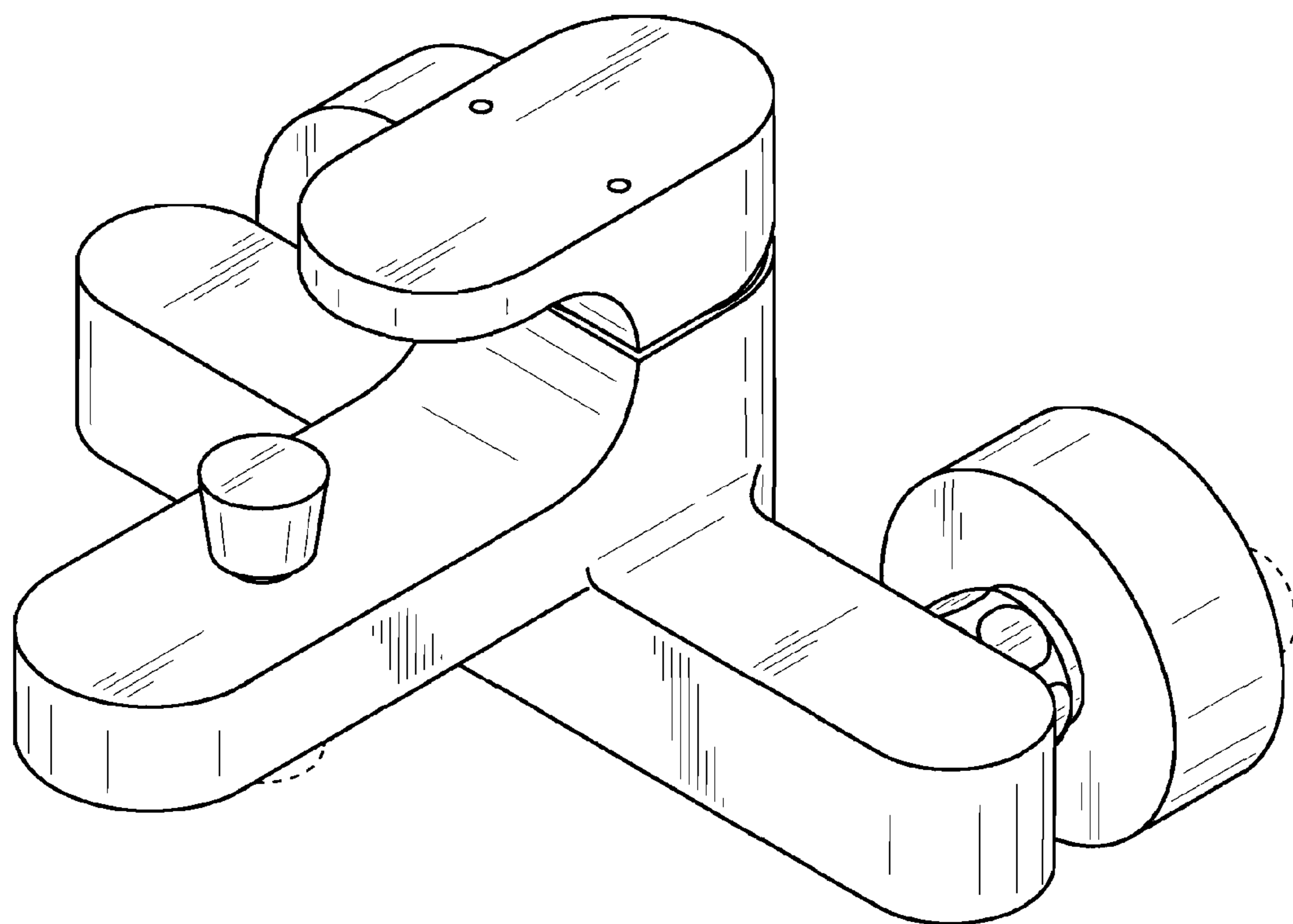


FIG. 1

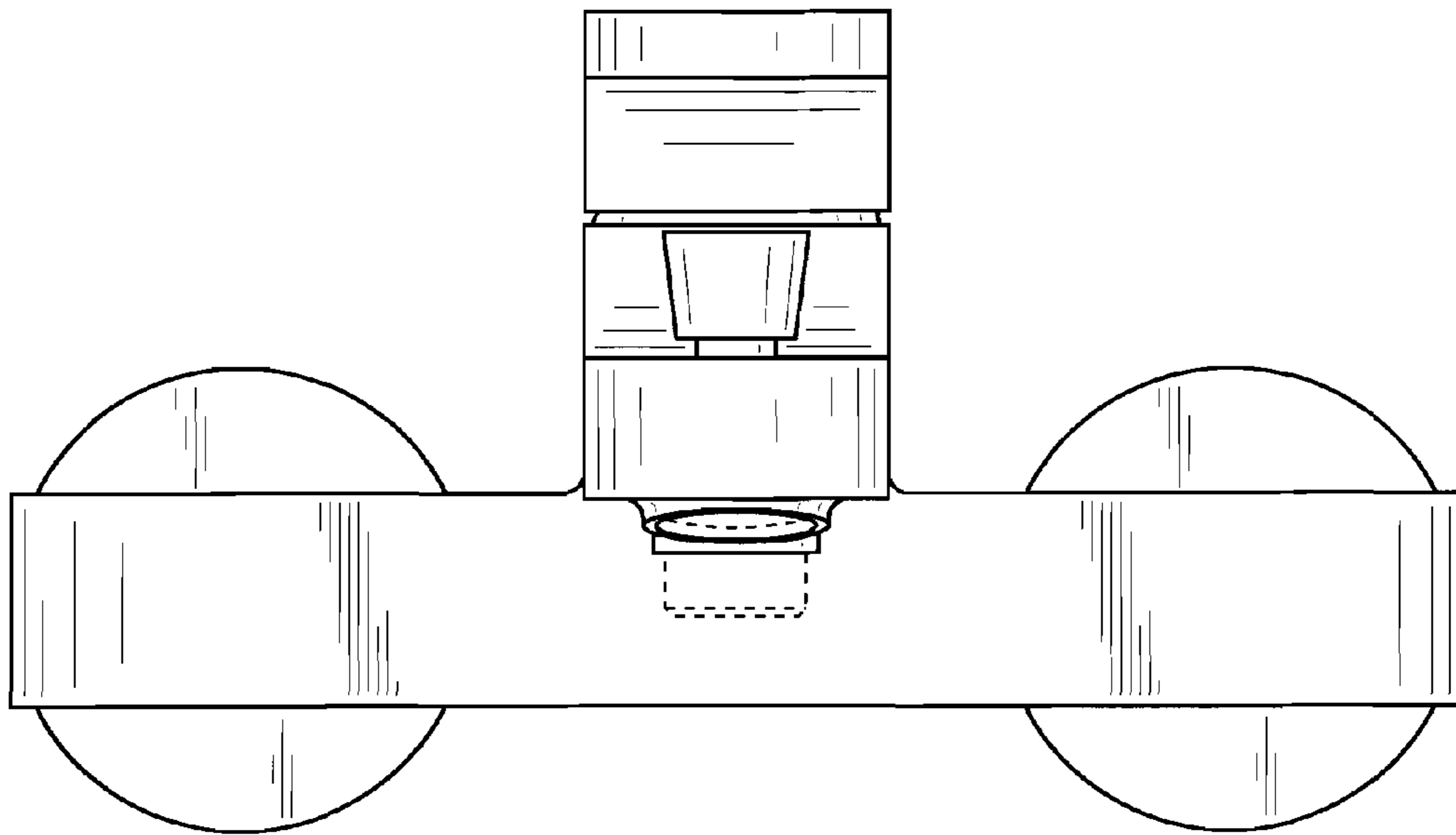


FIG. 2

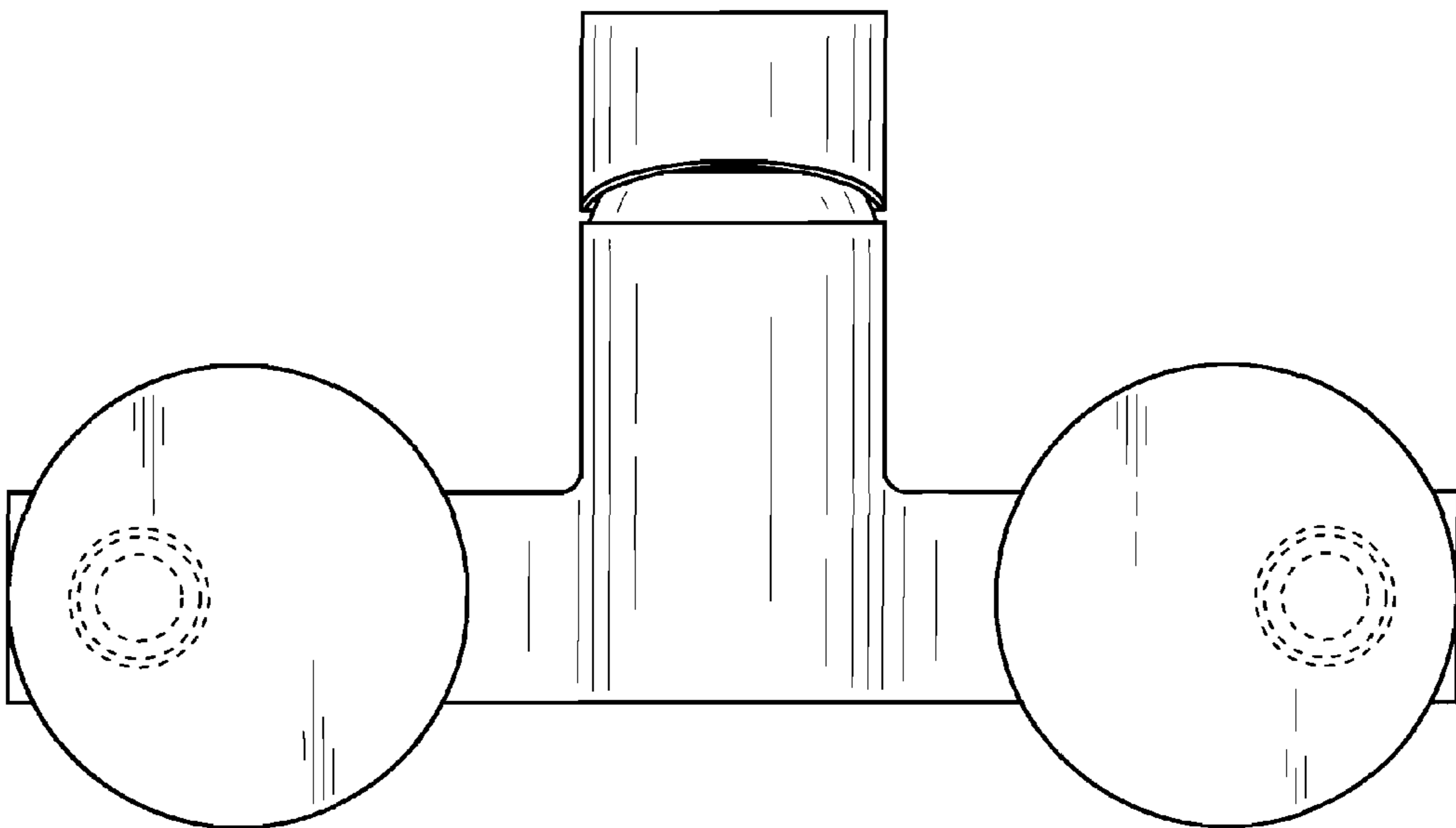


FIG. 3

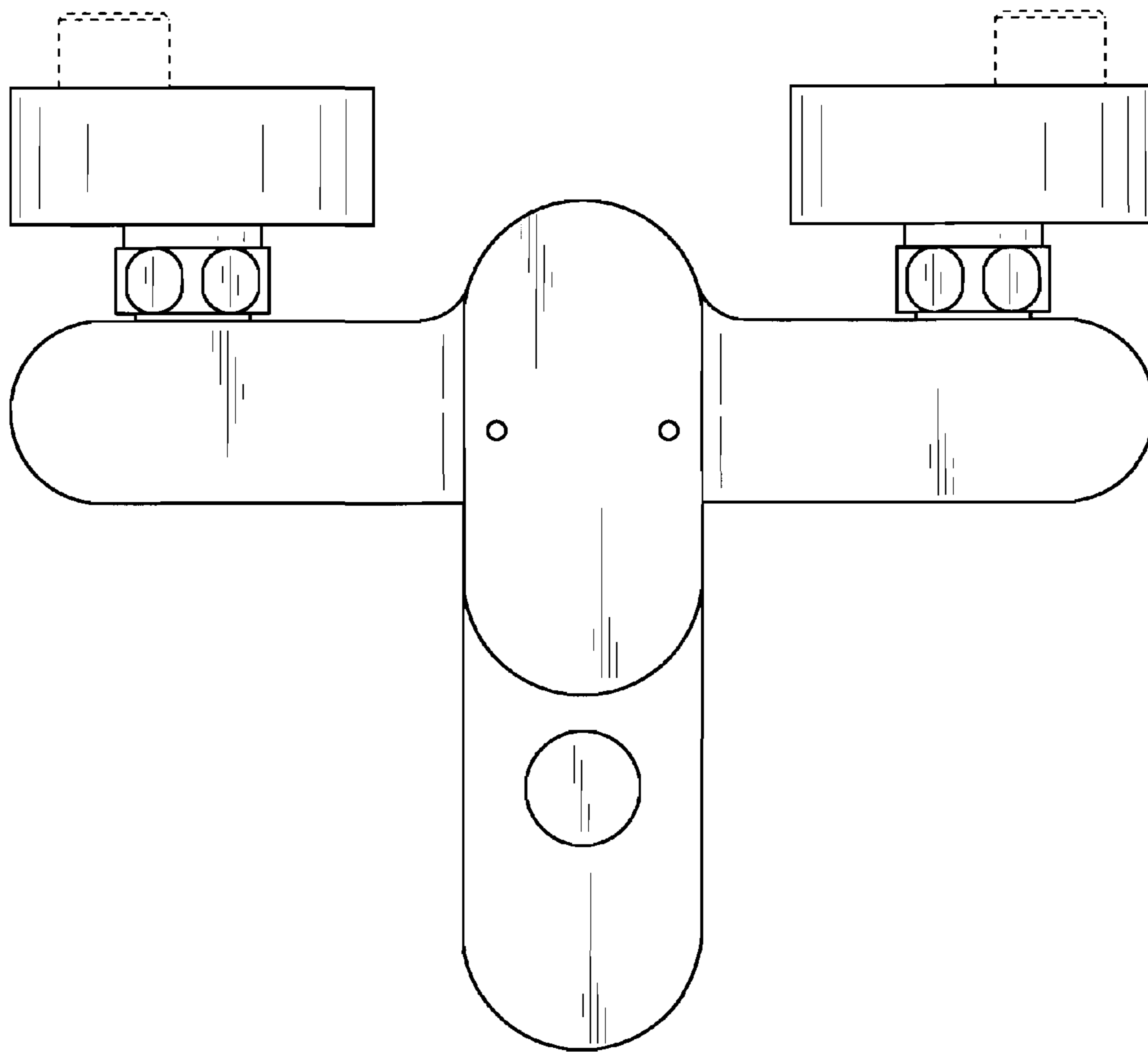


FIG. 4

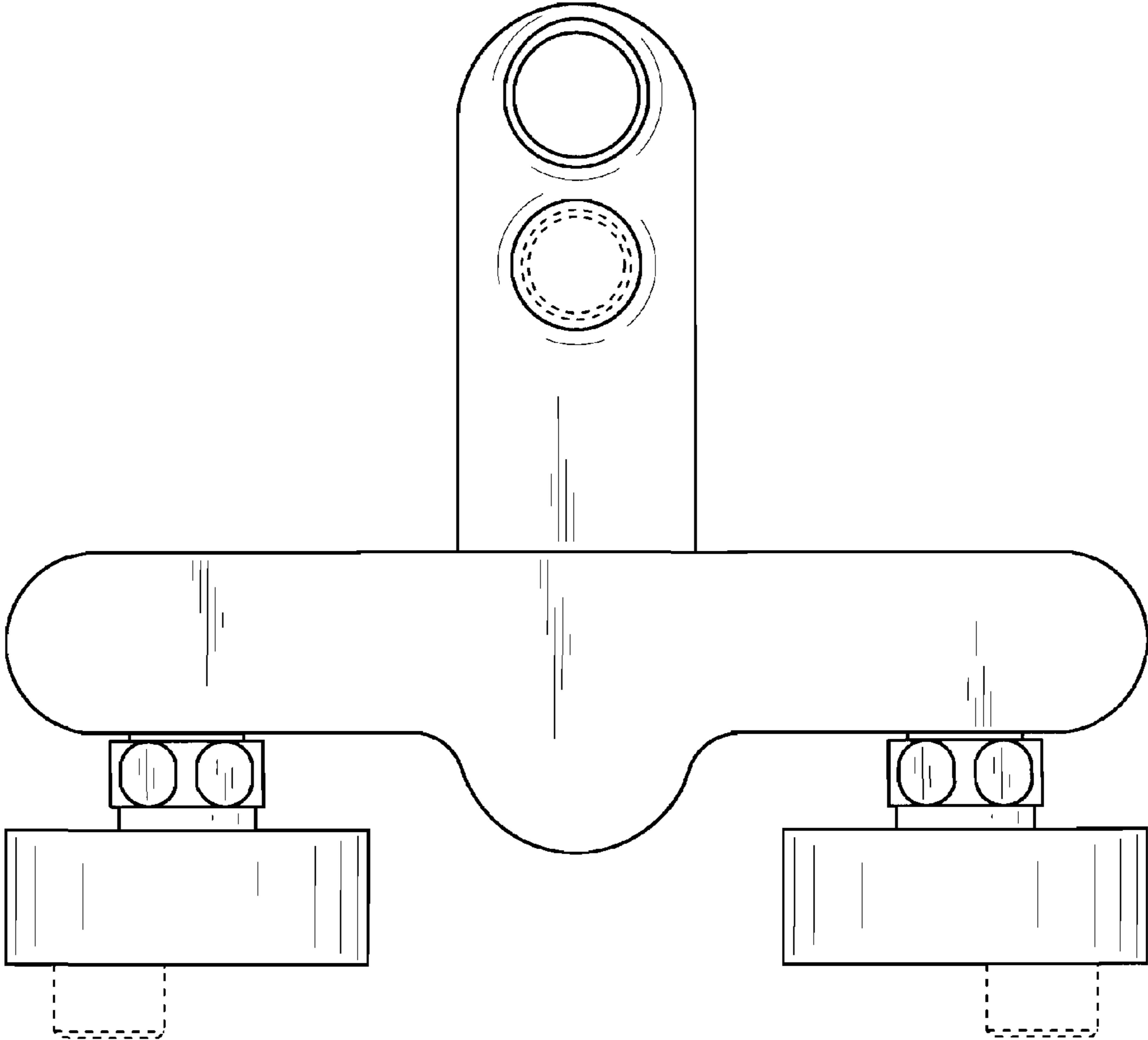


FIG. 5

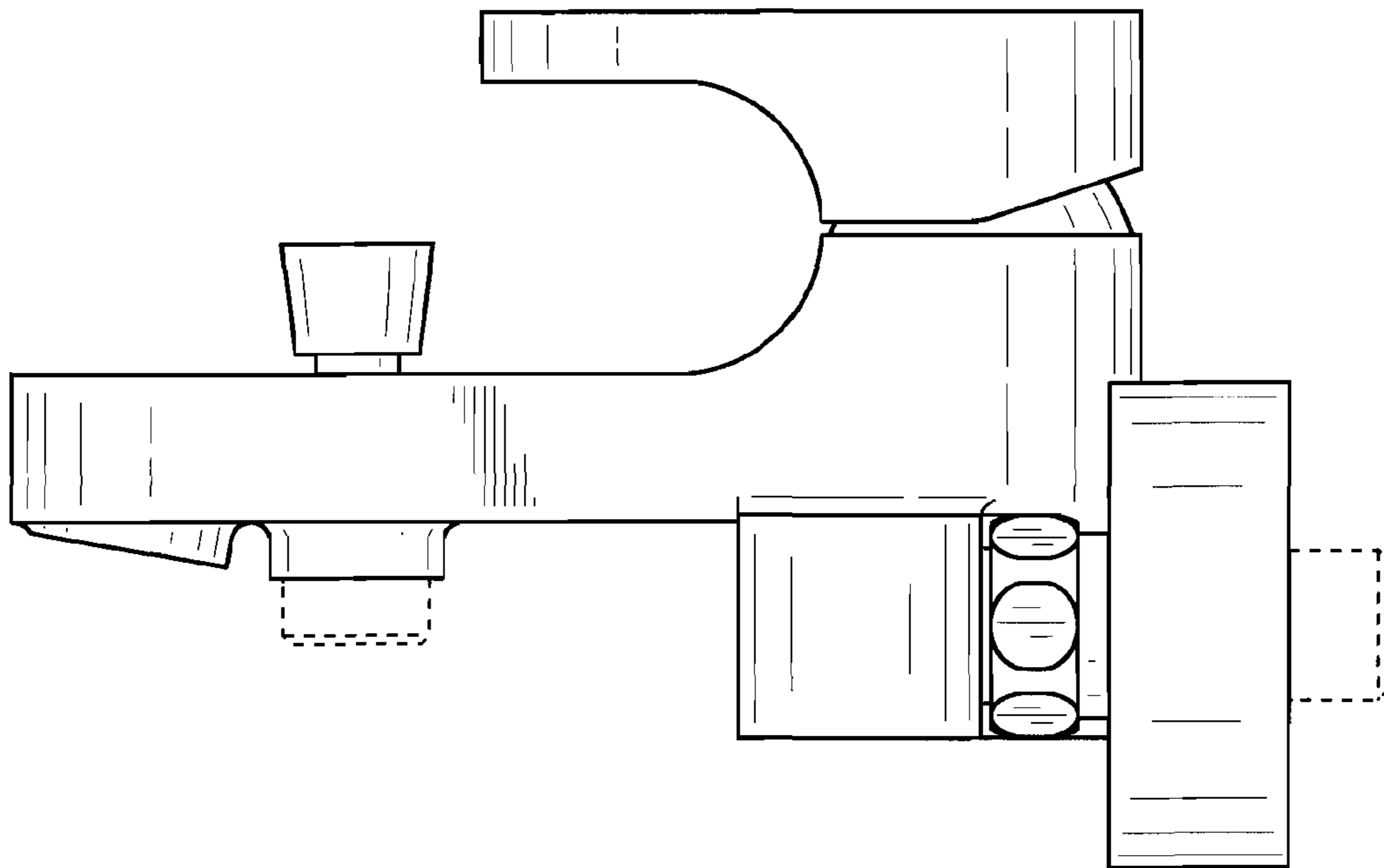


FIG. 6