



US00D643092S

(12) **United States Design Patent**
Bandawat et al.

(10) **Patent No.:** **US D643,092 S**

(45) **Date of Patent:** **** Aug. 9, 2011**

(54) **DURABLE PORTABLE PRESSURIZED MIST COOLING DEVICE**

(75) Inventors: **David Bandawat**, Paradise Valley, AZ (US); **Kyle Swen**, San Carlos, CA (US); **Chris Harsacky**, San Francisco, CA (US); **Chris Morast**, San Francisco, CA (US); **Christopher Fruhauf**, San Anselmo, CA (US)

(73) Assignee: **Misty Mate, Inc.**, Tempe, AZ (US)

(**) Term: **14 Years**

(21) Appl. No.: **29/389,515**

(22) Filed: **Apr. 12, 2011**

Related U.S. Application Data

(63) Continuation of application No. 12/006,652, filed on Jan. 4, 2008.

(51) **LOC (9) Cl.** **23-01**

(52) **U.S. Cl.** **D23/225**; D23/202; D23/231

(58) **Field of Classification Search** D23/202, D23/213, 225, 231, 232; 239/152, 154, 373, 239/337, 302, 308, 310, 333, 332; 261/24
See application file for complete search history.

(56) **References Cited**

U.S. PATENT DOCUMENTS

D170,387 S *	9/1953	Russel	D23/231
D215,654 S *	10/1969	Huthsing	D29/126
3,705,689 A *	12/1972	Lee	239/337
D239,172 S *	3/1976	Berthoud	D23/202
D300,553 S *	4/1989	Willis	D23/231

5,186,391 A *	2/1993	Roueché et al.	239/373
5,535,951 A	7/1996	Utter		
5,620,140 A	4/1997	Utter		
5,775,590 A	7/1998	Utter		
5,967,415 A	10/1999	Utter		
6,241,164 B1 *	6/2001	Wolfe	239/303
D621,471 S *	8/2010	Bock	D23/202

* cited by examiner

Primary Examiner — Robin V Webster

(74) *Attorney, Agent, or Firm* — Etherton Law Group, LLC; Benjamin D. Tietgen; Sandra L. Etherton

(57) **CLAIM**

The ornamental design for a durable portable pressurized mist cooling device, as shown and described.

DESCRIPTION

FIG. 1 is a top left perspective view of the personal cooling apparatus showing the handle in its normal, retracted position.

FIG. 2 is a top right perspective view of the personal cooling apparatus showing the handle in its normal, retracted position.

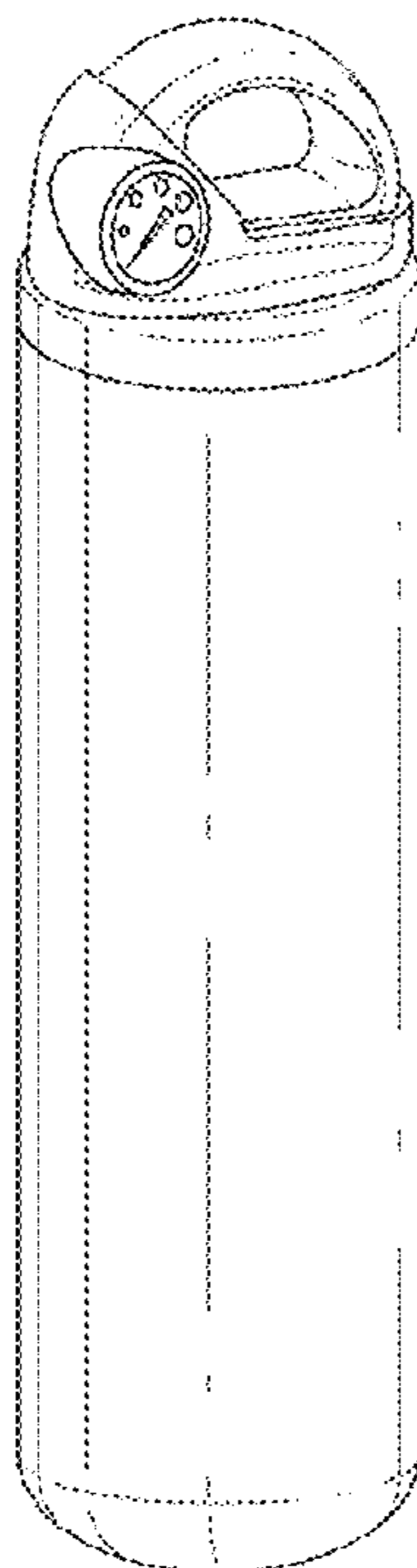
FIG. 3 is a top view of the personal cooling apparatus.

FIG. 4 is a bottom view of the personal cooling apparatus; and,

FIG. 5 is the perspective view of FIG. 1 of the personal cooling apparatus, showing the handle in its extended position.

The nature and intended use of the article in which the design is embodied is as a personal cooling apparatus that contains a liquid and, when pressurized, ejects the liquid in a mist. The personal cooling apparatus is pressurized by pumping a handle in the top of the apparatus.

1 Claim, 4 Drawing Sheets



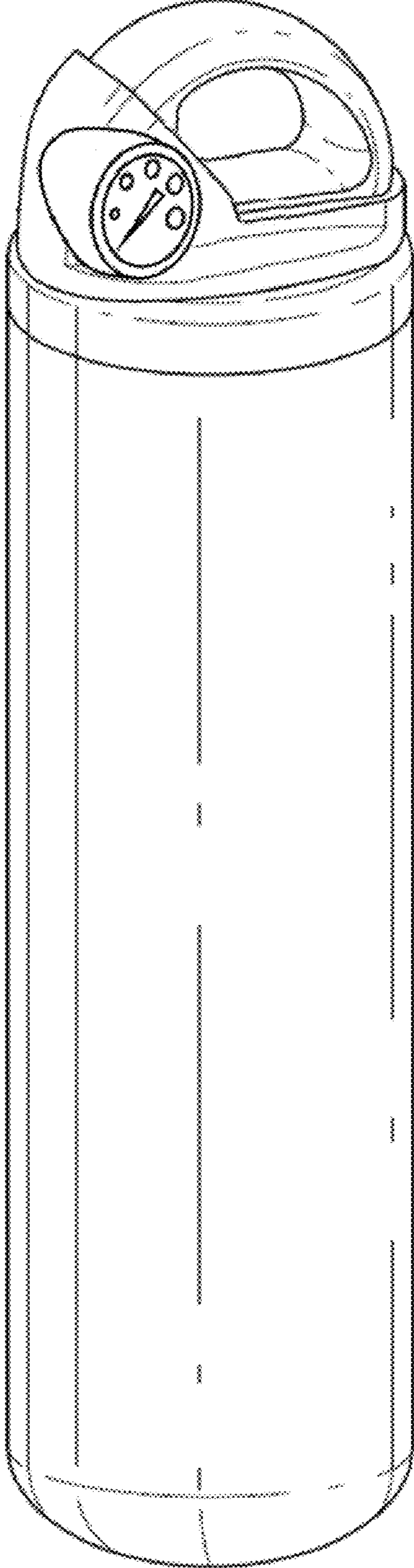


FIG. 1

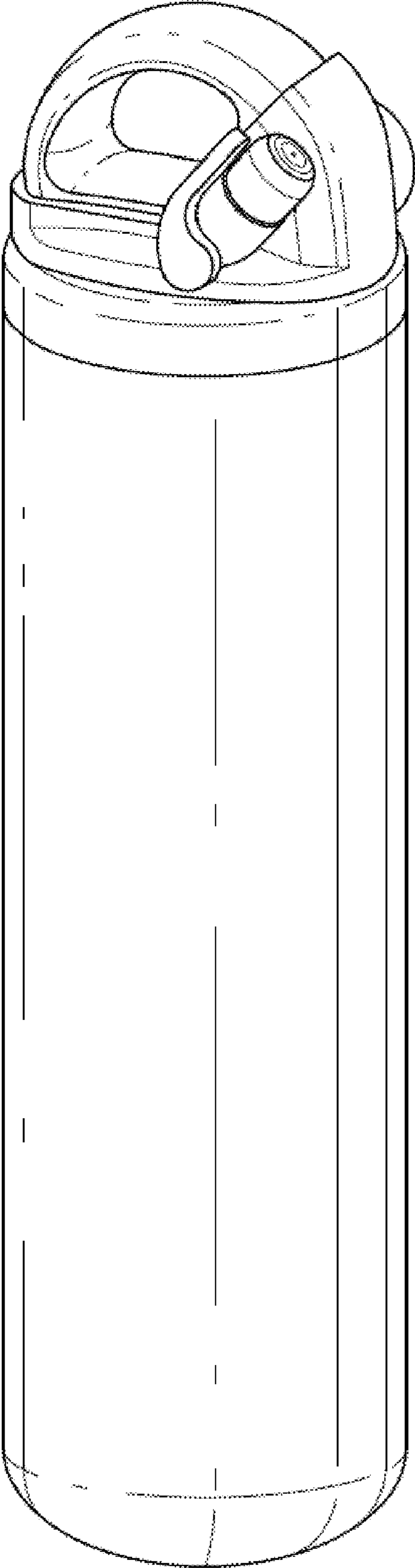


FIG. 2

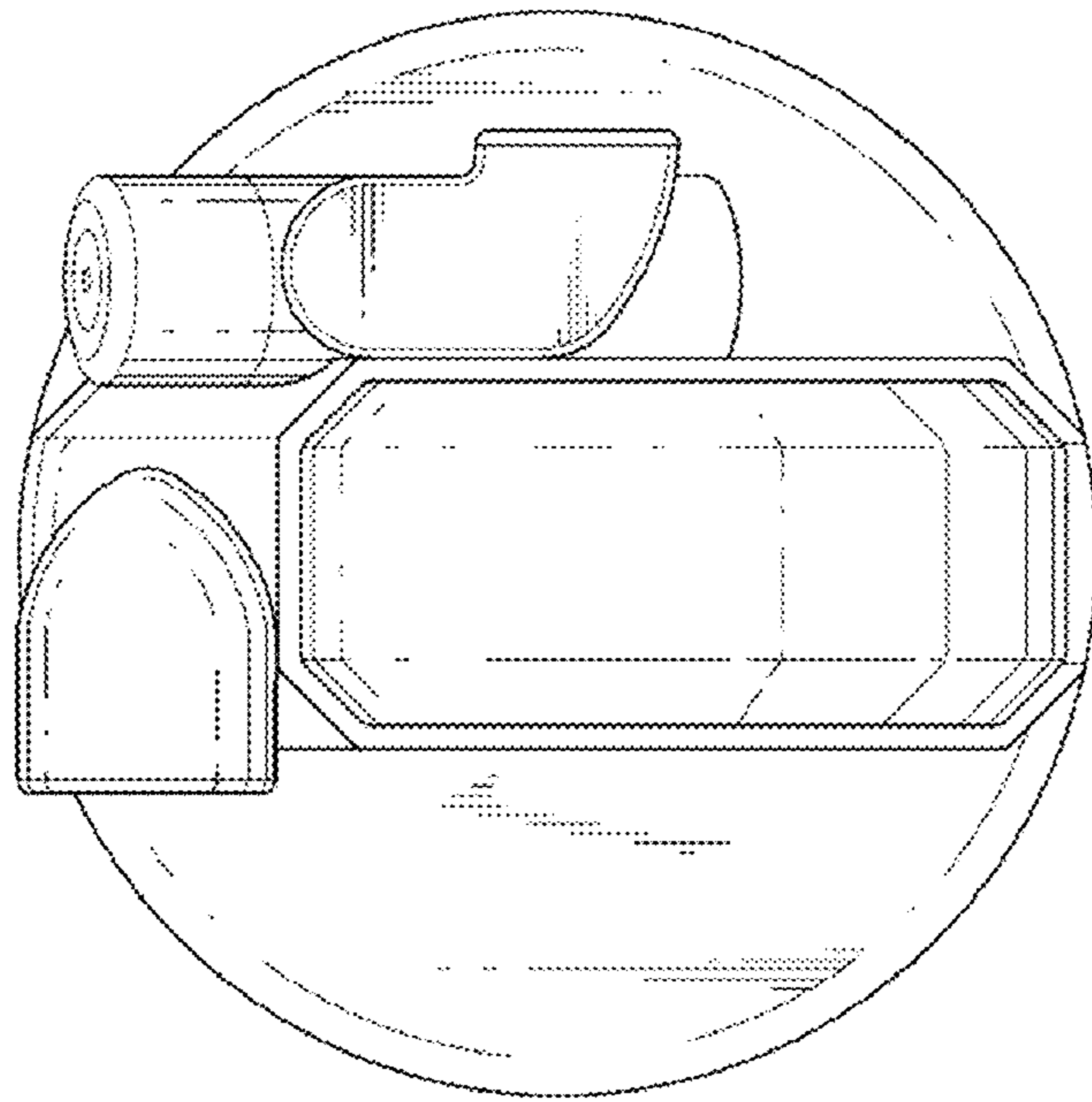


FIG. 3

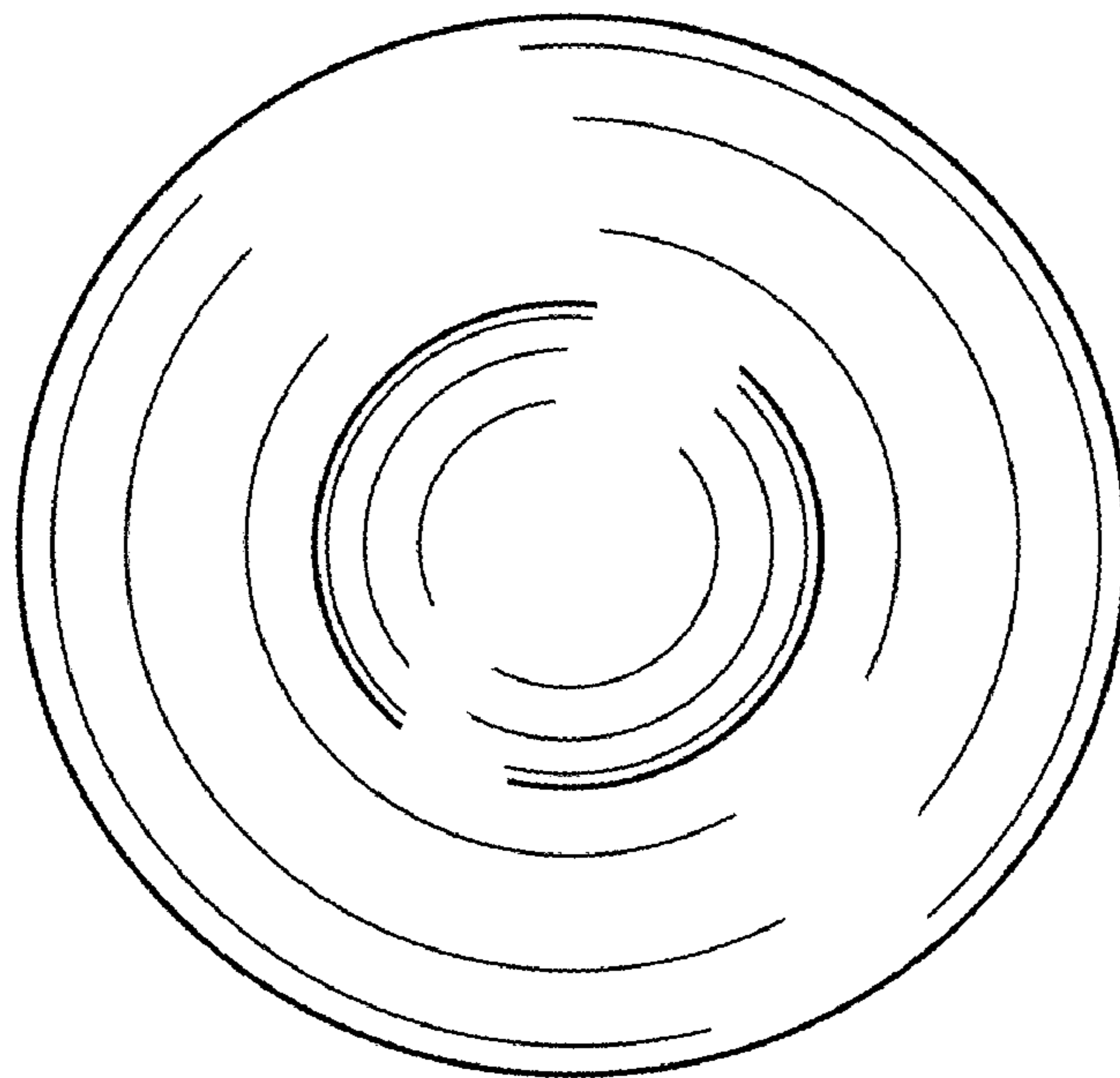


FIG. 4

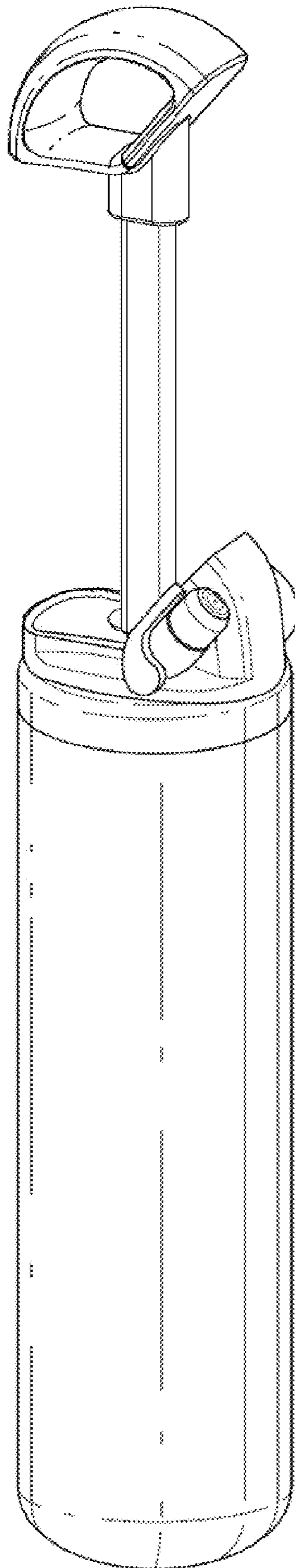


FIG. 5