



US00D643091S

(12) **United States Design Patent**  
**Yasuoka et al.**

(10) **Patent No.:** **US D643,091 S**

(45) **Date of Patent:** **\*\* \*Aug. 9, 2011**

(54) **IONIZER**

(75) Inventors: **Takashi Yasuoka**, Tsukubamirai (JP);  
**Takayuki Toshida**, Tsukubamirai (JP);  
**Yuka Shiohama**, Tsukubamirai (JP);  
**Akira Tadano**, Tsukubamirai (JP)

(73) Assignee: **SMC Corporation**, Chiyoda-ku, Tokyo  
(JP)

(\*) Notice: This patent is subject to a terminal disclaimer.

(\*\*) Term: **14 Years**

(21) Appl. No.: **29/376,436**

(22) Filed: **Oct. 6, 2010**

(30) **Foreign Application Priority Data**

Jun. 30, 2010 (JP) ..... 2010-015966

(51) **LOC (9) Cl.** ..... **23-01**

(52) **U.S. Cl.** ..... **D23/213; D23/207; D23/355**

(58) **Field of Classification Search** ..... D23/213,  
D23/207, 209, 355; 96/43; 361/225-230;  
422/186.03; 239/548

See application file for complete search history.

(56) **References Cited**

**U.S. PATENT DOCUMENTS**

3,499,143	A *	3/1970	Martin Samuel W	.....	250/324
3,697,806	A *	10/1972	Herbert, Jr.	.....	361/230
6,653,638	B2 *	11/2003	Fujii	.....	250/423 R
D490,497	S *	5/2004	Okazaki et al.	.....	D23/209
D490,876	S *	6/2004	Okazaki et al.	.....	D23/209
D550,340	S *	9/2007	Sato et al.	.....	D23/355

D572,354	S *	7/2008	Tsuchiya et al.	.....	D23/355
7,497,898	B2 *	3/2009	Sato et al.	.....	96/43
7,697,258	B2 *	4/2010	Vernitskiy et al.	.....	361/230

\* cited by examiner

*Primary Examiner* — Robin V Webster

(74) *Attorney, Agent, or Firm* — Yokoi & Co., U.S.A., Inc.;  
Toshiyuki Yokoi

(57) **CLAIM**

The ornamental design for an ionizer, as shown and described.

**DESCRIPTION**

FIG. 1 shows a front view of an ionizer showing my new design;

FIG. 2 shows a rear view thereof;

FIG. 3 shows a right side view thereof;

FIG. 4 shows a left side view thereof;

FIG. 5 shows a top view thereof;

FIG. 6 shows a bottom view thereof;

FIG. 7 shows an enlarged front view thereof;

FIG. 8 shows an enlarged rear view thereof;

FIG. 9 shows an enlarged right side view thereof;

FIG. 10 shows an enlarged left side view thereof;

FIG. 11 shows an enlarged top view thereof;

FIG. 12 shows an enlarged bottom view thereof;

FIG. 13 shows a top, front and left side perspective view thereof;

FIG. 14 shows a bottom, rear and right side perspective view thereof;

FIG. 15 shows a top, front and left side enlarged perspective view thereof; and,

FIG. 16 shows a bottom, rear and right side enlarged perspective view thereof.

The claimed design is shown fragmented in enlarged FIGS. 7, 8, 11, 12, 15 and 16 for ease of illustration.

The portions of the design shown in broken lines in FIGS. 1, 5, 7, 11, 13 and 15 are for the purpose of illustrating the environment only and form no part of the claimed design.

**1 Claim, 10 Drawing Sheets**

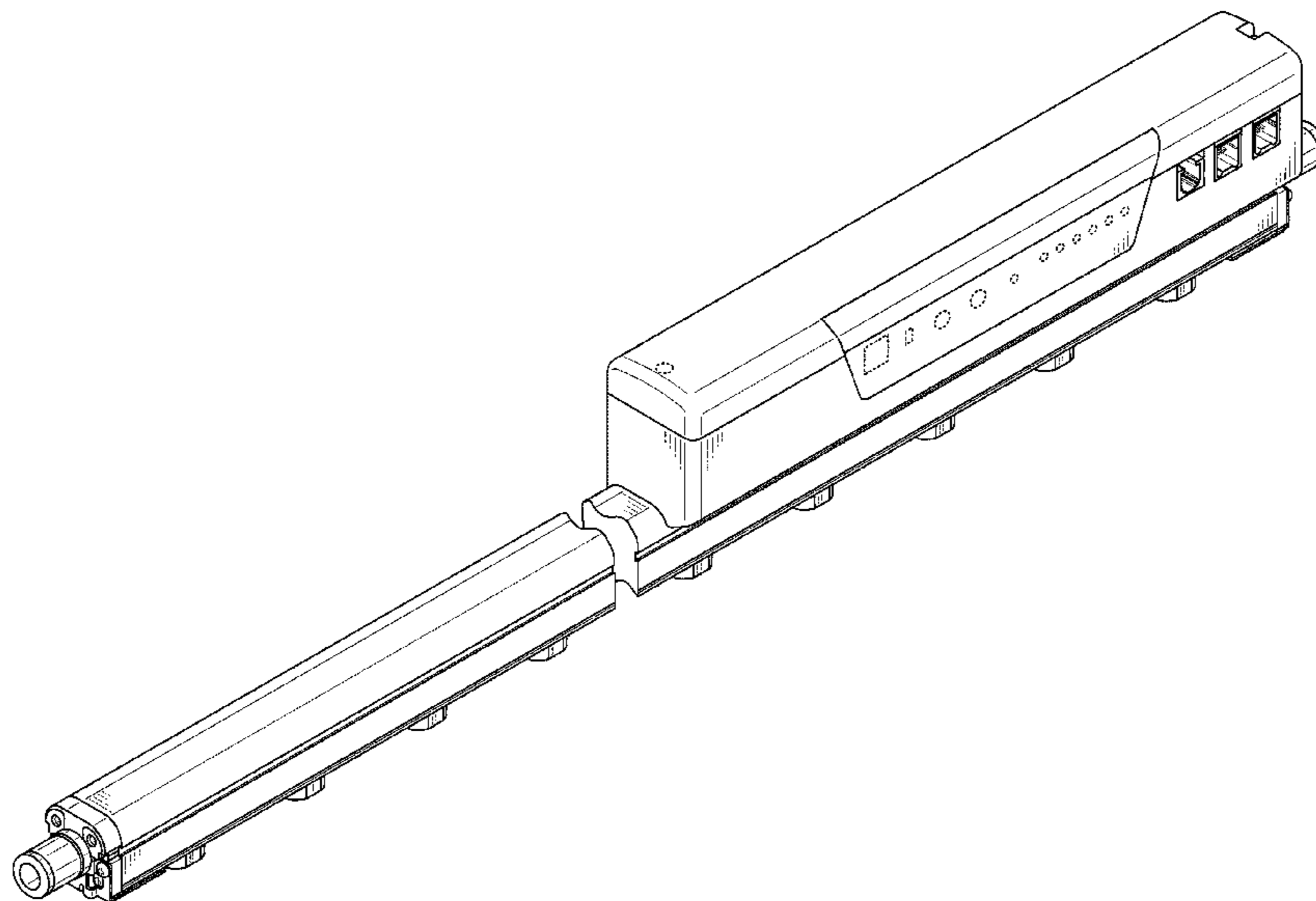


FIG. 1

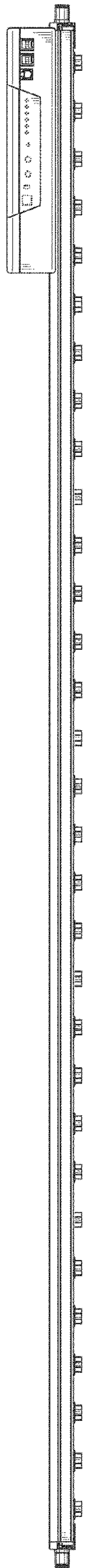


FIG. 2

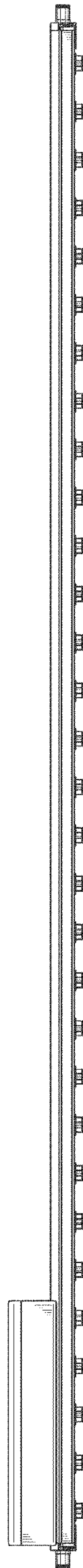


FIG. 3

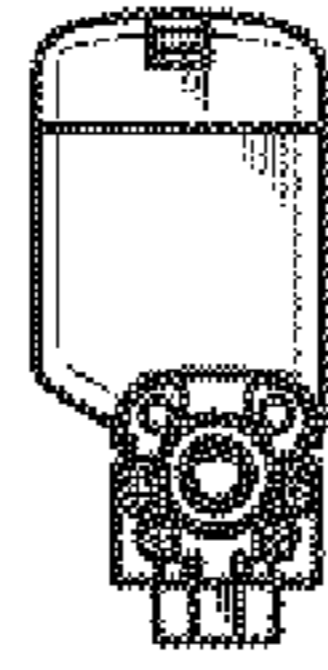


FIG. 4

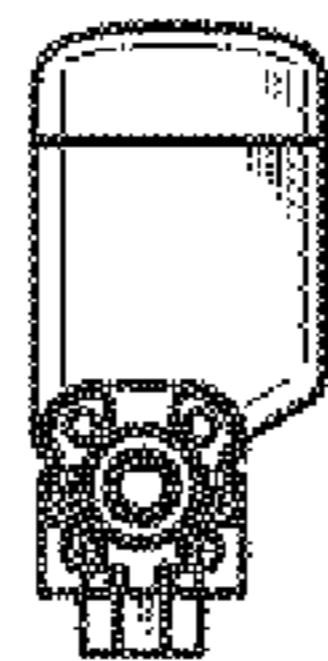


FIG. 5

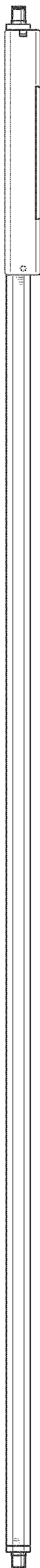


FIG. 6





FIG. 7

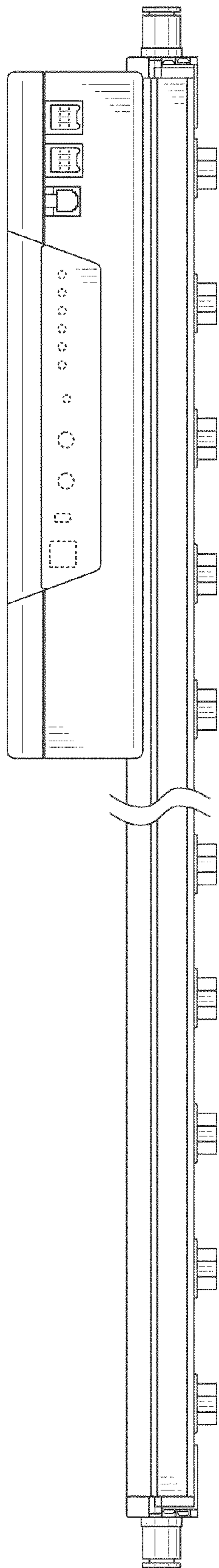


FIG. 8

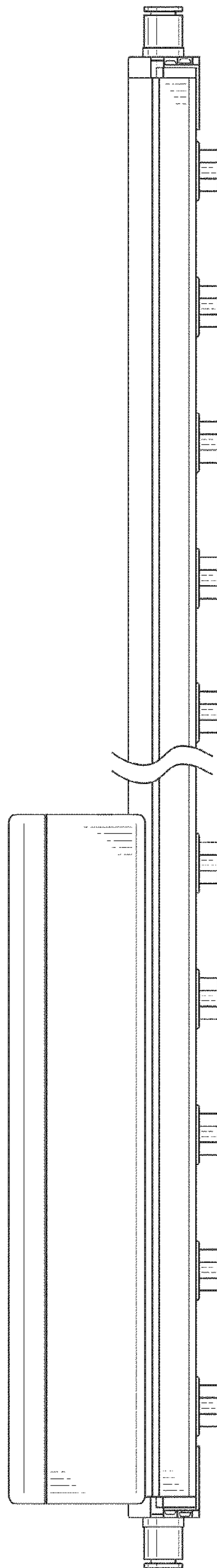


FIG. 9

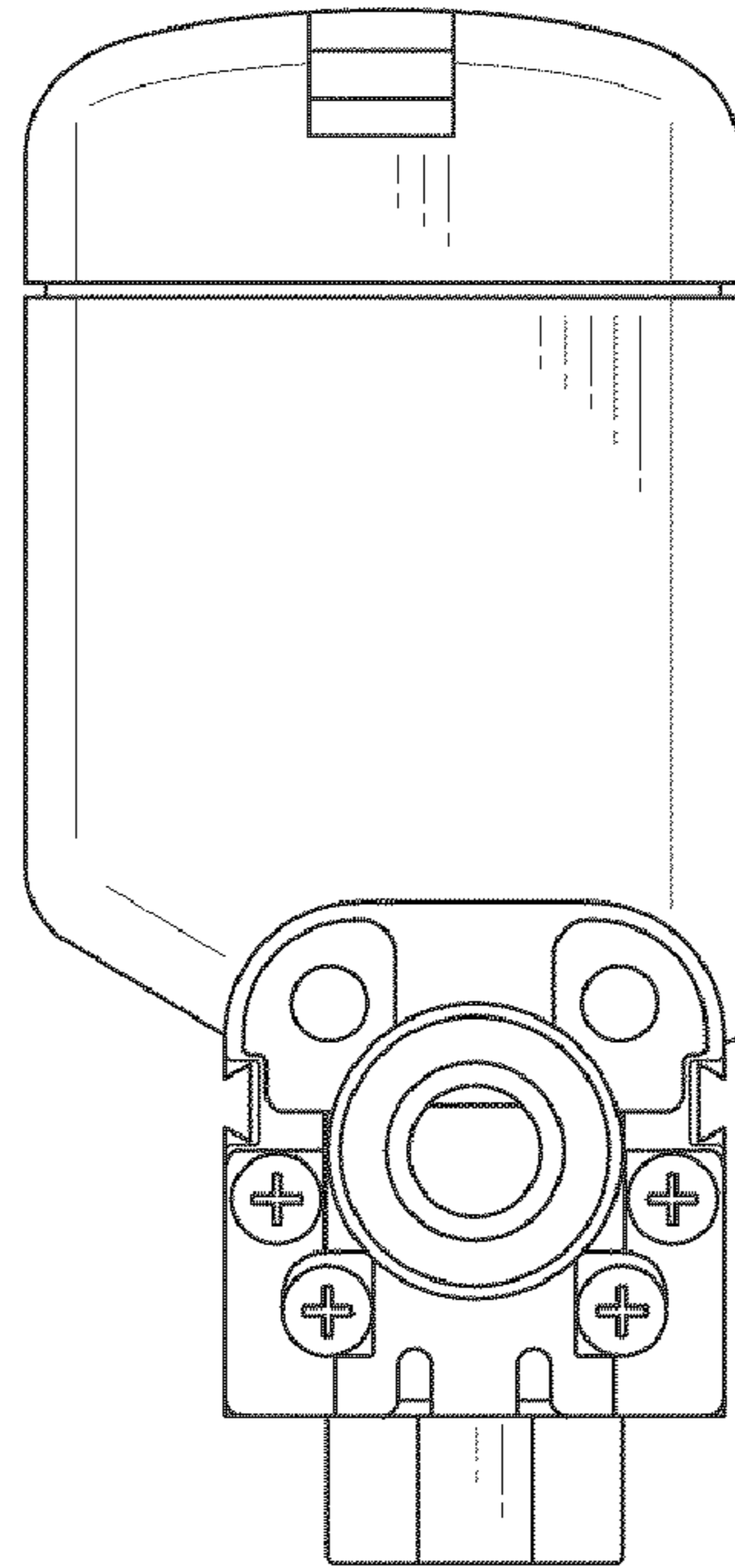


FIG. 10

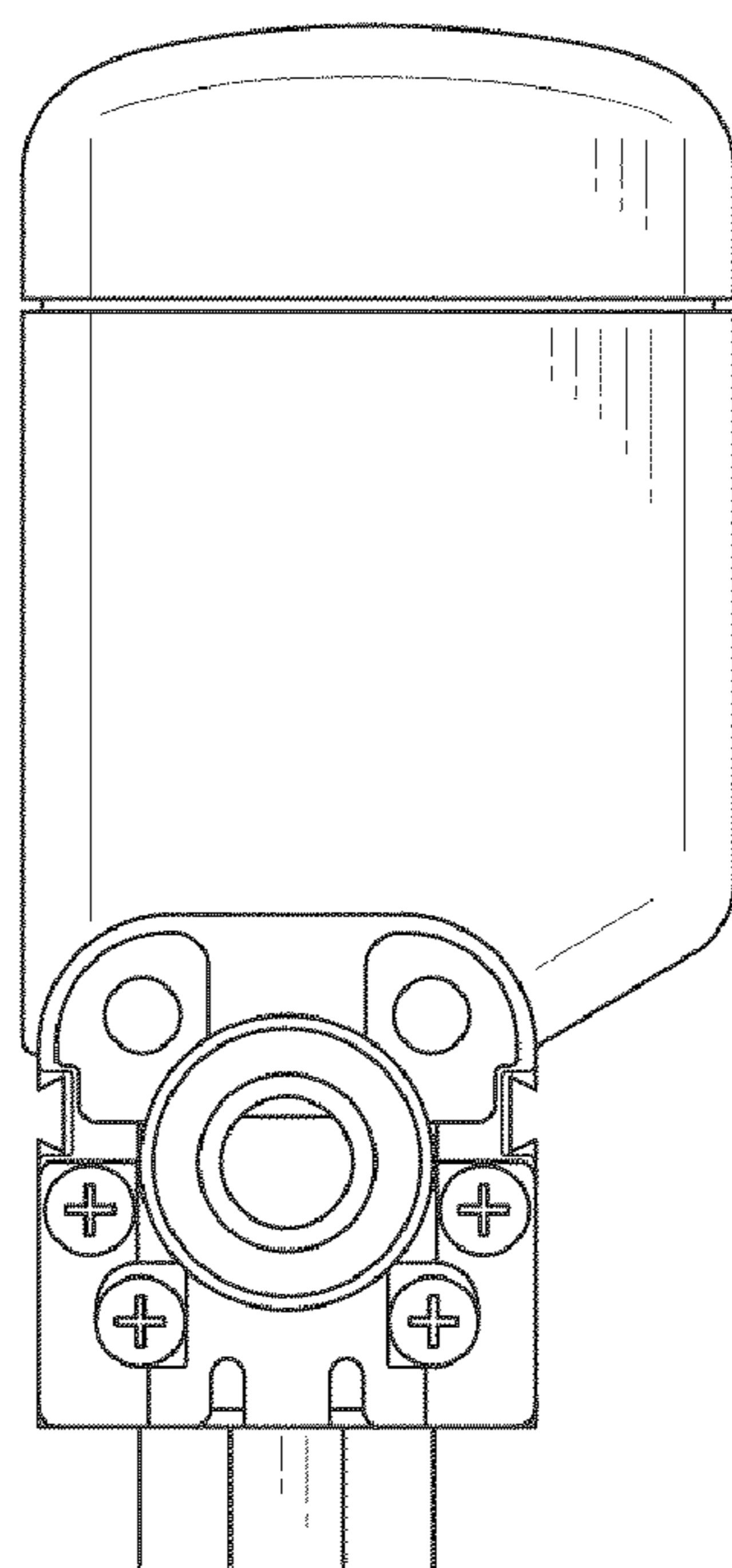


FIG. 11

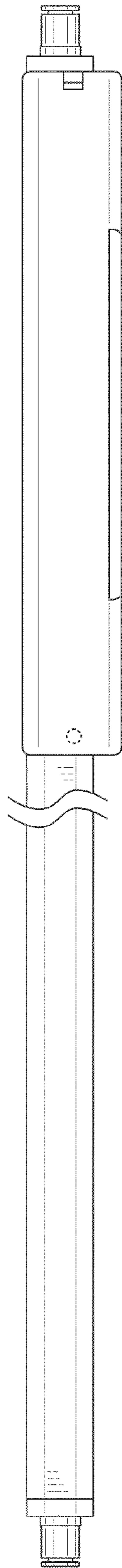
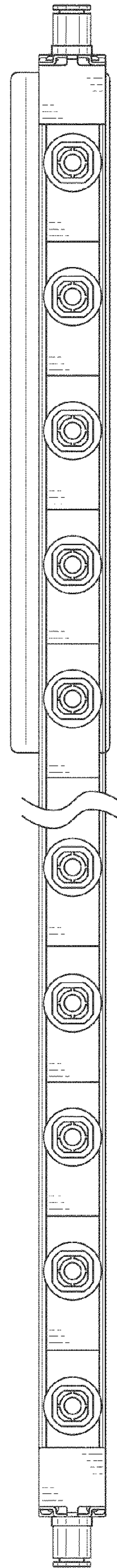


FIG. 12



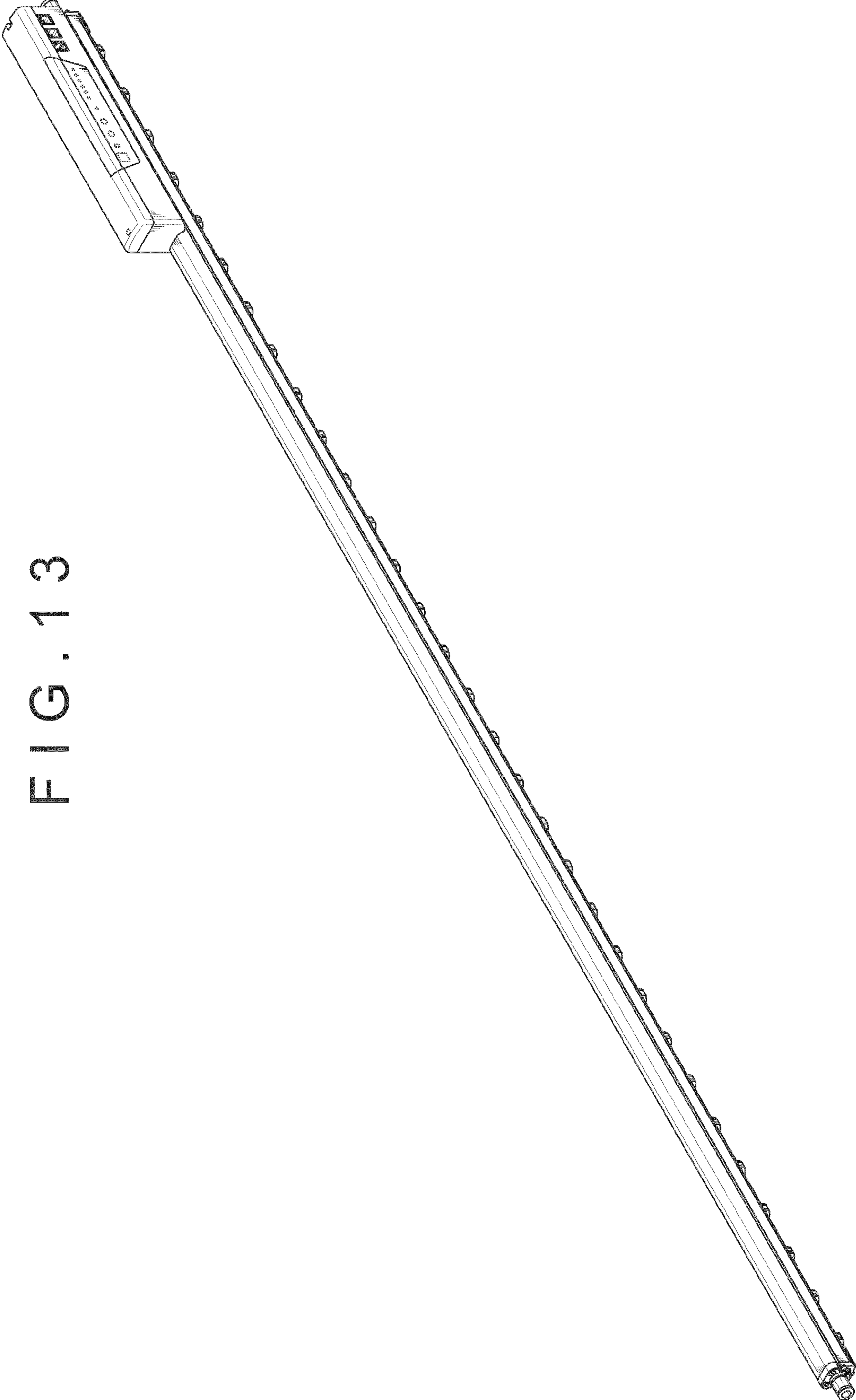
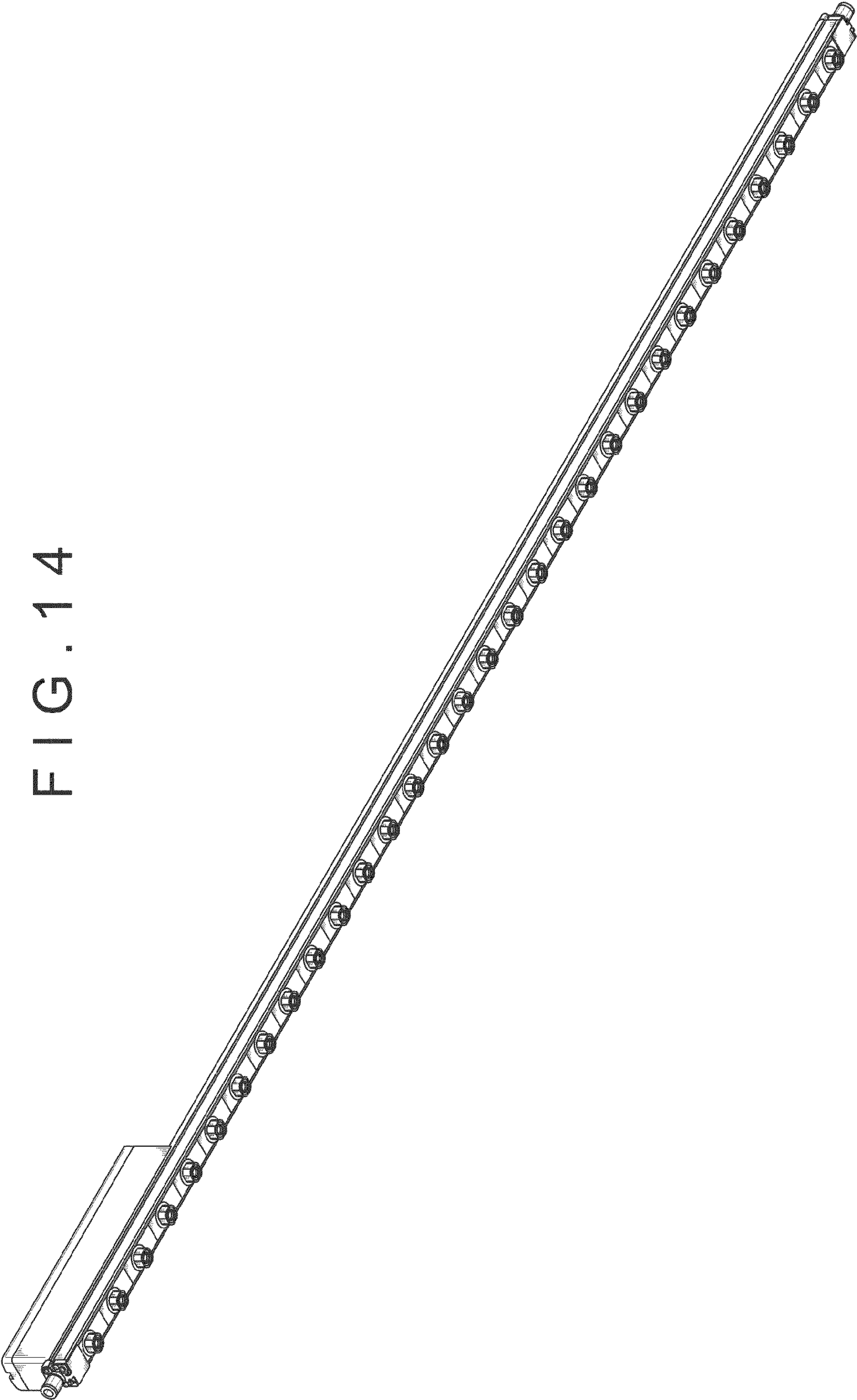


FIG. 13



FIG. 14



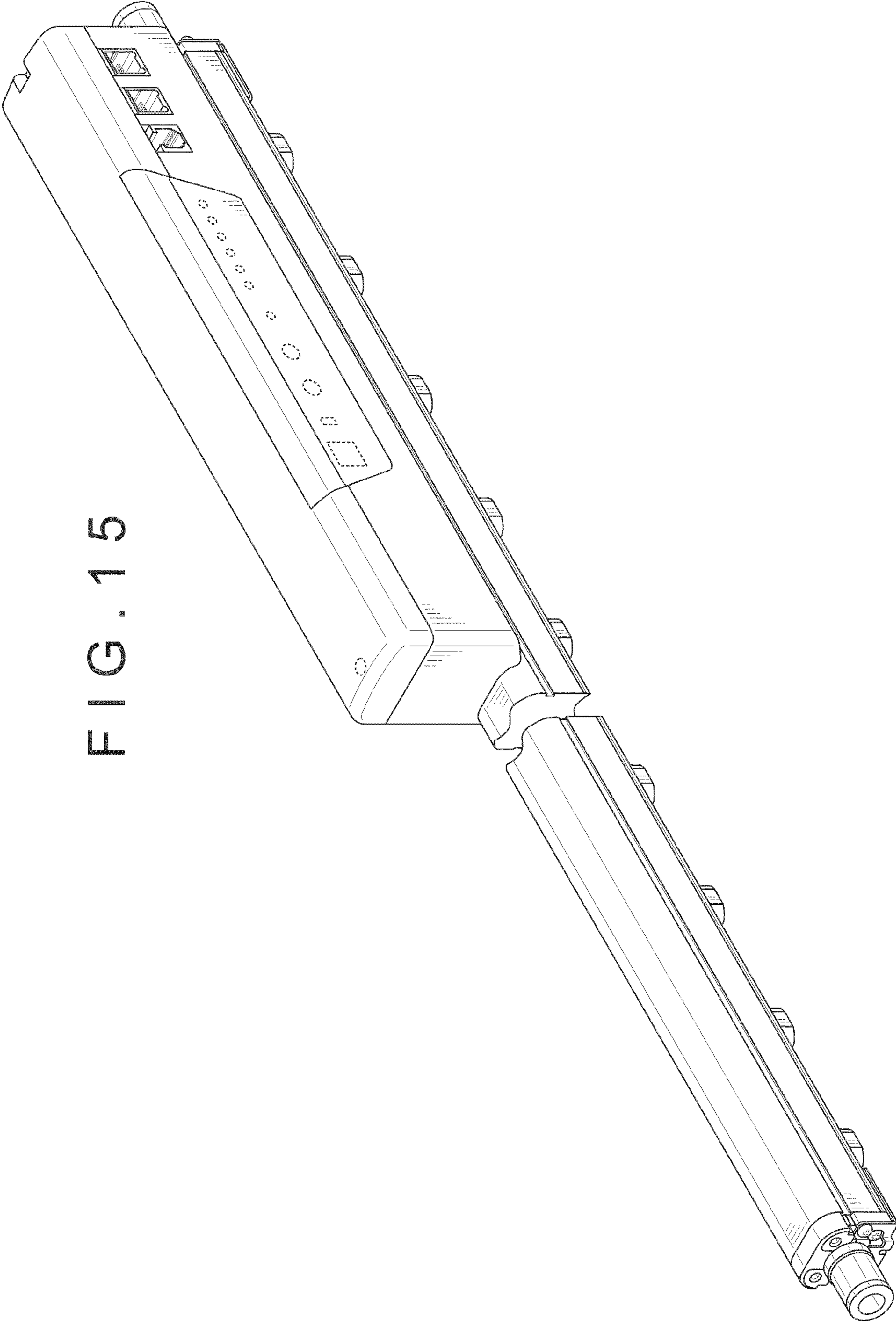


FIG. 15

FIG. 16

