

US00D643089S

(12) **United States Design Patent**  
**Lawson**

(10) **Patent No.:** **US D643,089 S**

(45) **Date of Patent:** **\*\* Aug. 9, 2011**

(54) **FILTRATION SYSTEM**

(75) Inventor: **Gary Lawson**, Suffolk, VA (US)

(73) Assignee: **General Foam Plastics Corporation**,  
Norfolk, VA (US)

(\*\*) Term: **14 Years**

(21) Appl. No.: **29/369,202**

(22) Filed: **Sep. 3, 2010**

(51) **LOC (9) Cl.** ..... **23-01**

(52) **U.S. Cl.** ..... **D23/209**

(58) **Field of Classification Search** ..... D23/207,  
D23/209; 210/167.01, 167.1, 323.1, 323.2  
See application file for complete search history.

(56) **References Cited**

**U.S. PATENT DOCUMENTS**

- 5,143,605 A \* 9/1992 Masciarelli ..... 210/167.1
- 6,080,313 A \* 6/2000 Kelada ..... 210/631
- D439,304 S \* 3/2001 Tilp et al. .... D23/209
- 6,527,953 B2 \* 3/2003 Tai ..... 210/223
- 6,793,811 B1 \* 9/2004 Fleischmann ..... 210/163

- D506,806 S \* 6/2005 St-Hilaire ..... D23/209
- 7,438,811 B2 \* 10/2008 Lin ..... 210/232
- 7,517,450 B2 \* 4/2009 Hersey et al. .... 210/155

\* cited by examiner

*Primary Examiner* — Robin Webster

(74) *Attorney, Agent, or Firm* — Ryan A. Schneider, Esq.;  
Troutman Sanders LLP

(57) **CLAIM**

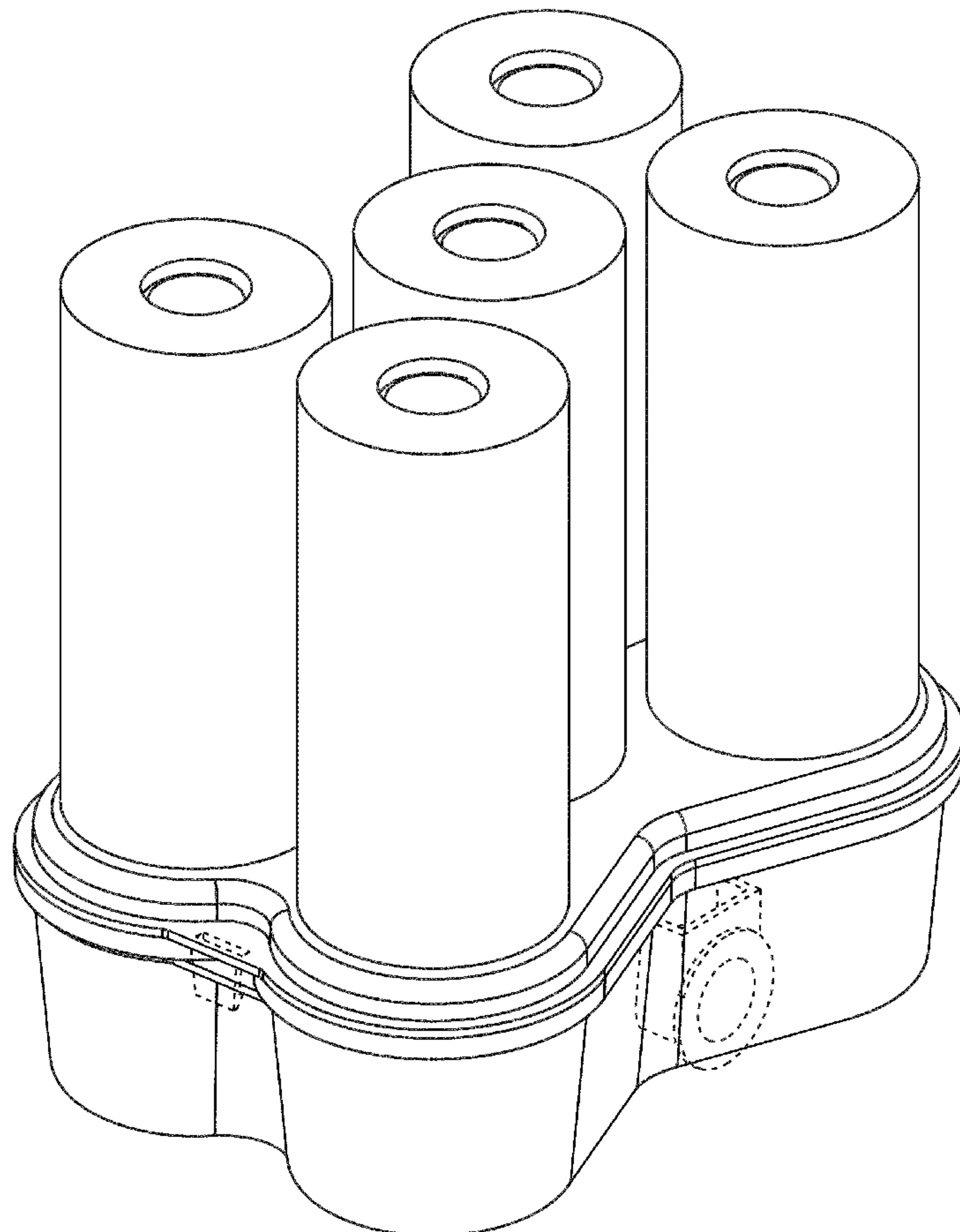
The ornamental design for a filtration system, as shown and described.

**DESCRIPTION**

FIG. 1 is a front perspective view of the filtration system in accordance with the present invention;  
 FIG. 2 is a rear perspective view thereof;  
 FIG. 3 is an exploded view thereof;  
 FIG. 4 is a front view thereof;  
 FIG. 5 is a back view thereof;  
 FIG. 6 is a top view thereof;  
 FIG. 7 is a bottom view thereof;  
 FIG. 8 is a left view thereof; and,  
 FIG. 9 is a right view thereof.

The broken line illustrations in the foregoing figures are for illustrative purposes only and form no part of the claimed design.

**1 Claim, 9 Drawing Sheets**



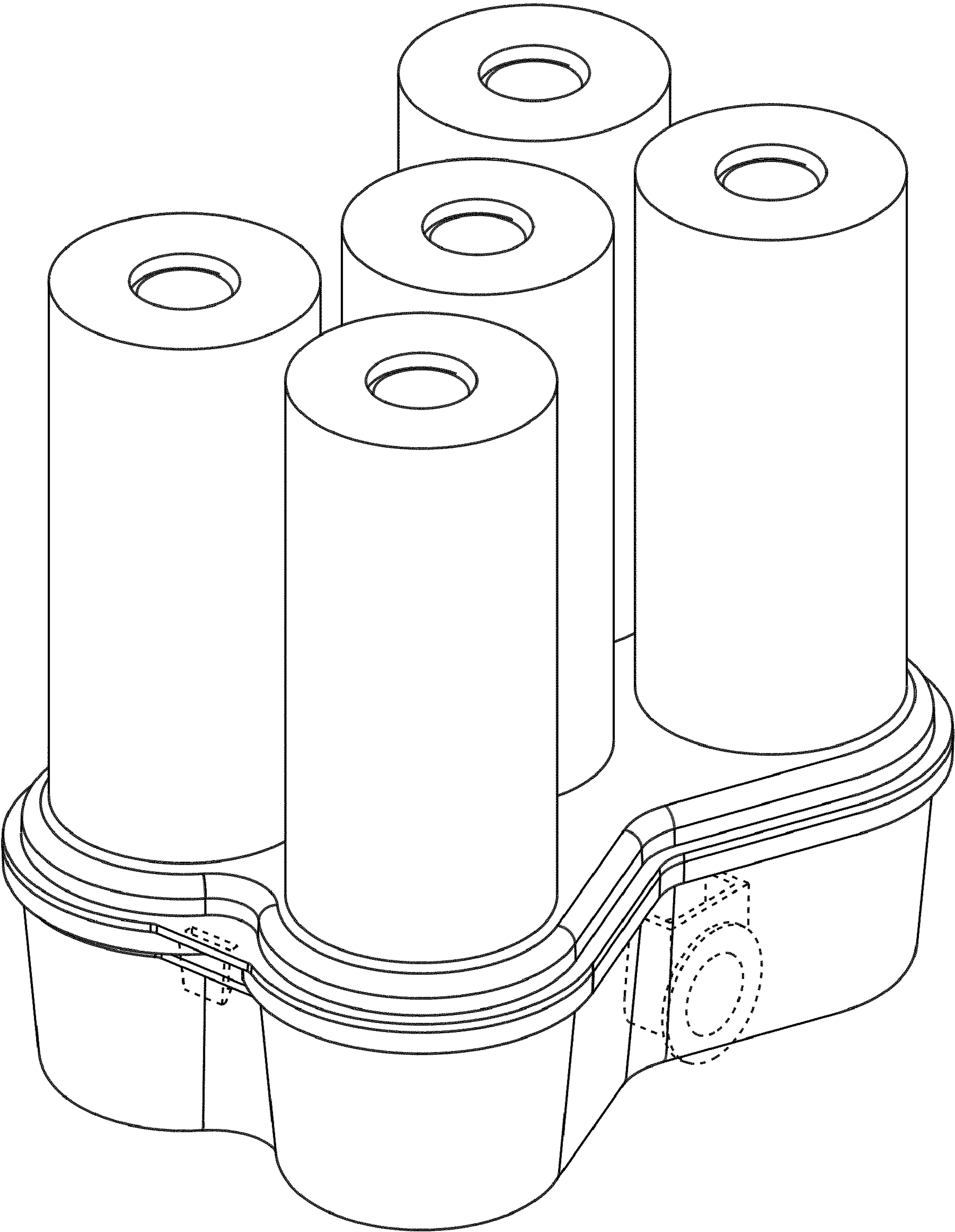


FIG. 1

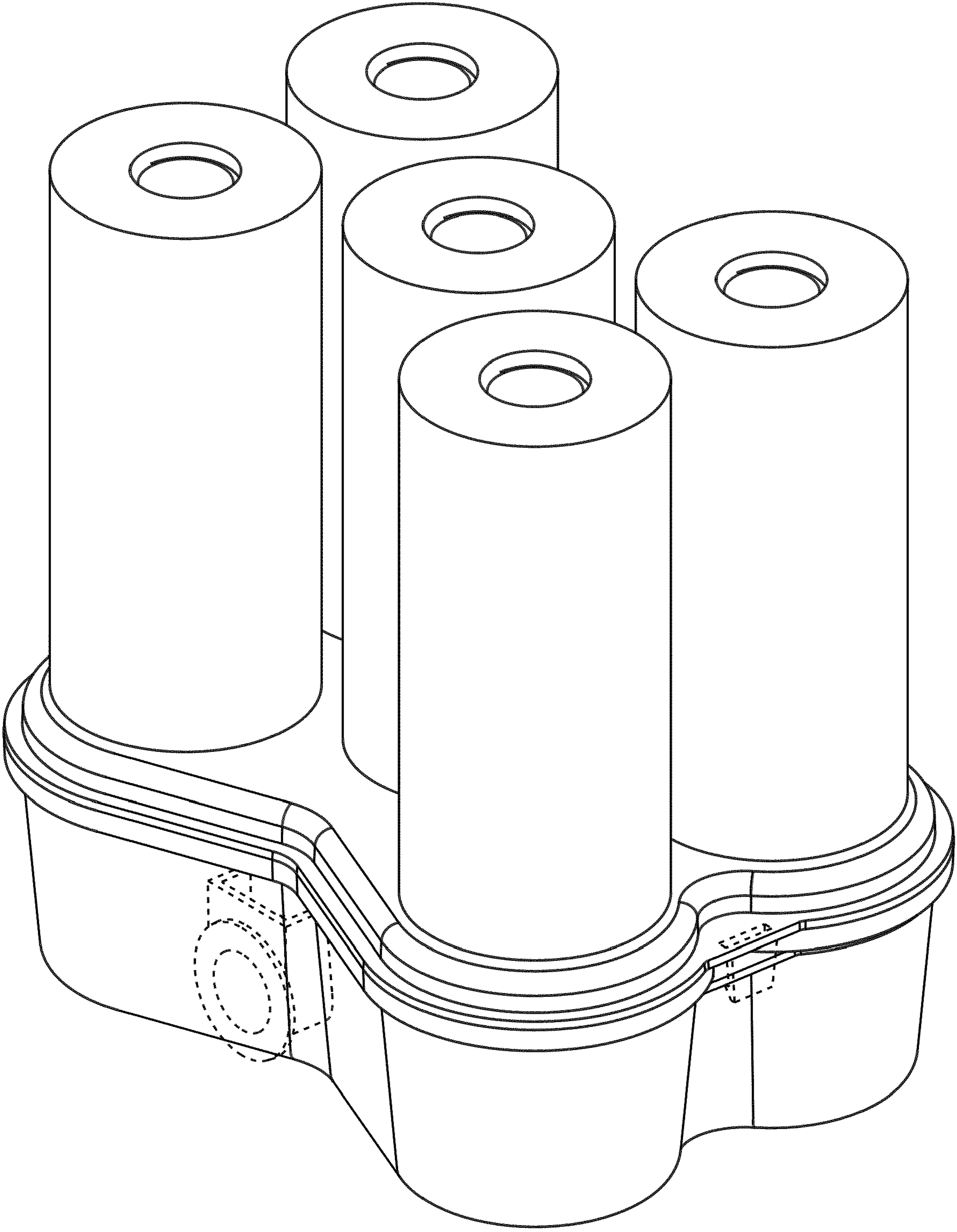


FIG. 2



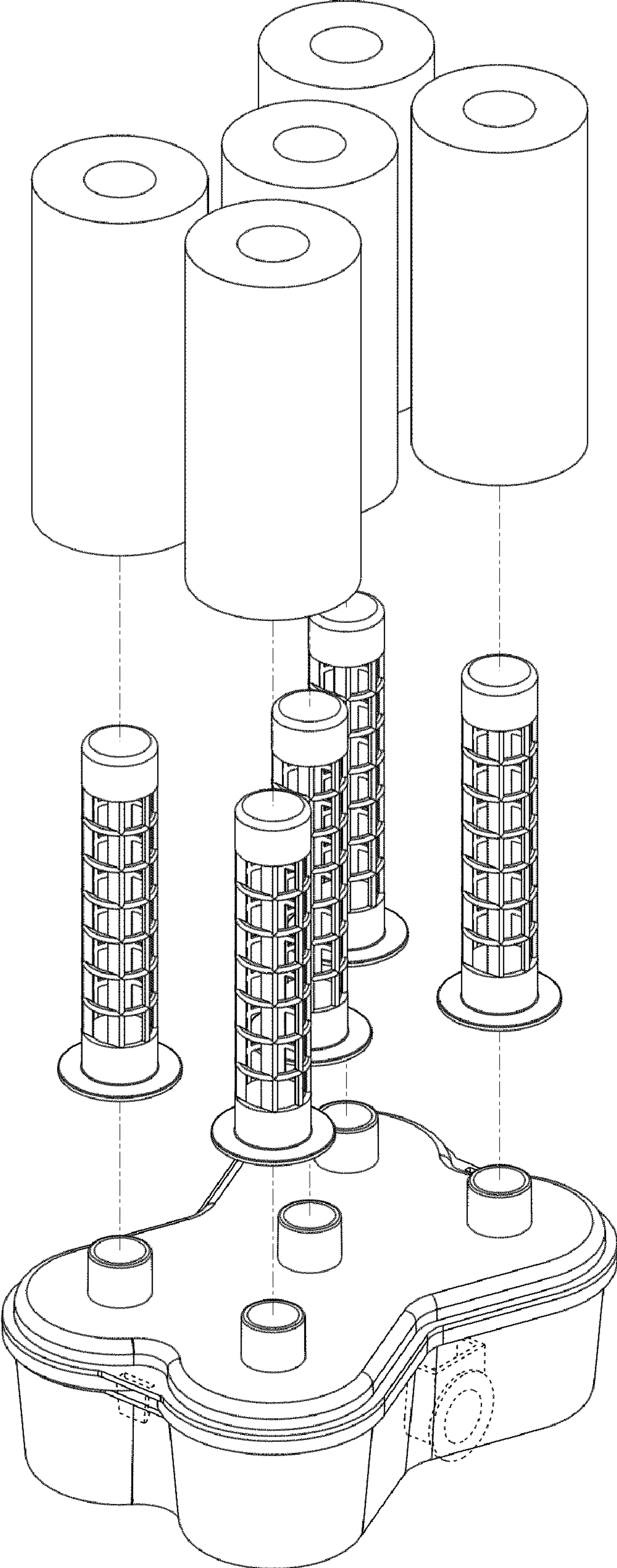


FIG. 3

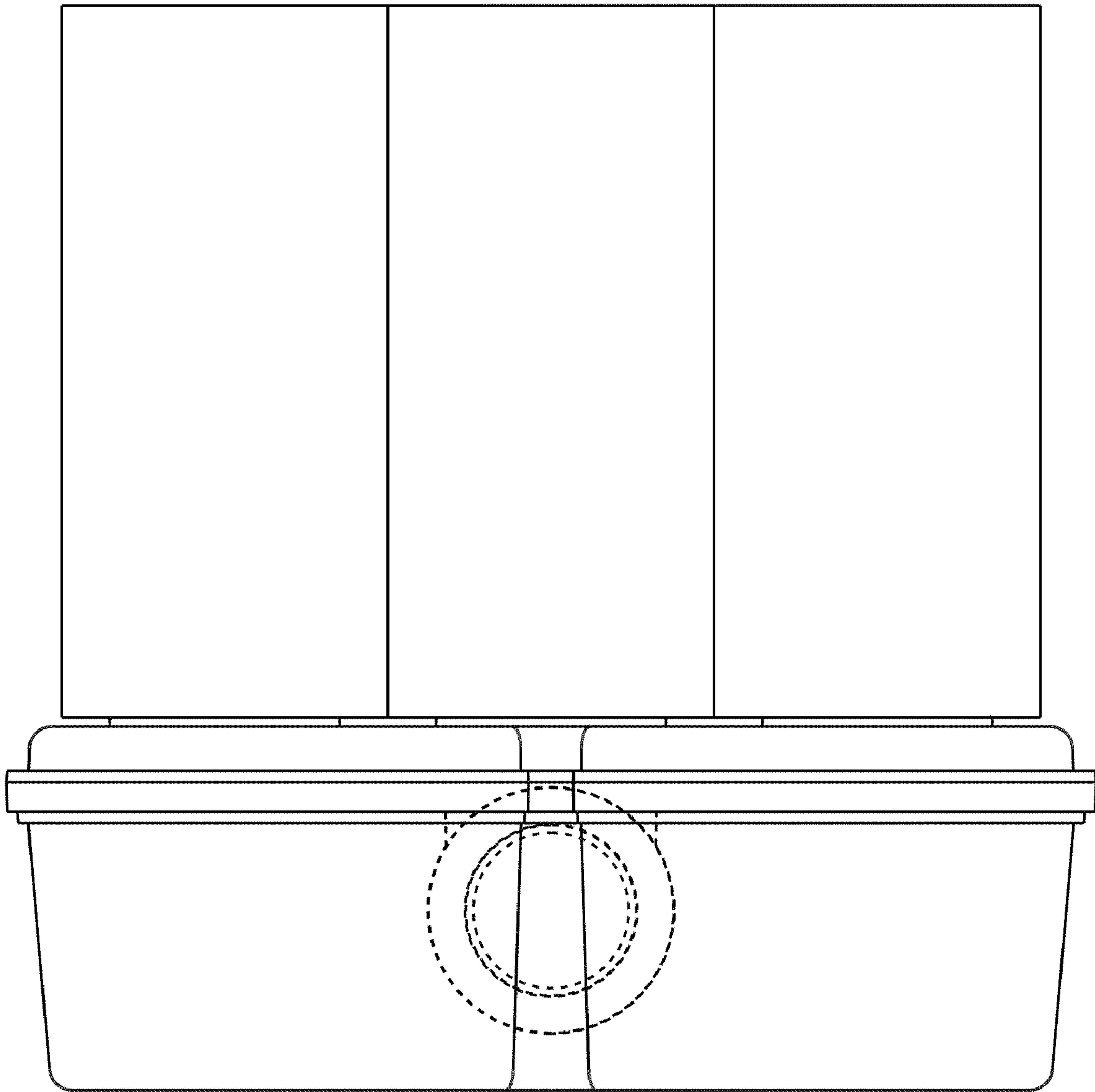


FIG. 4

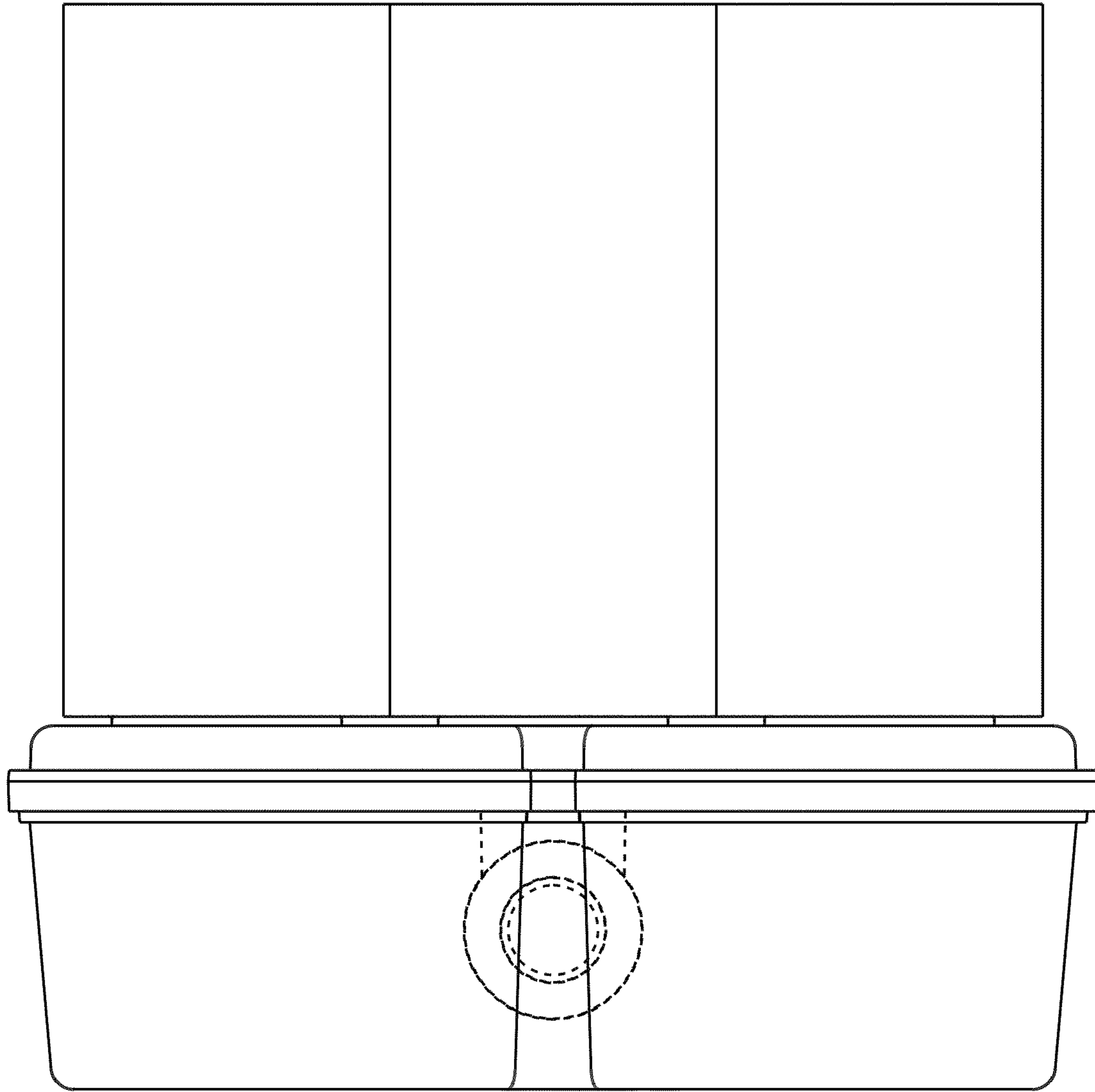
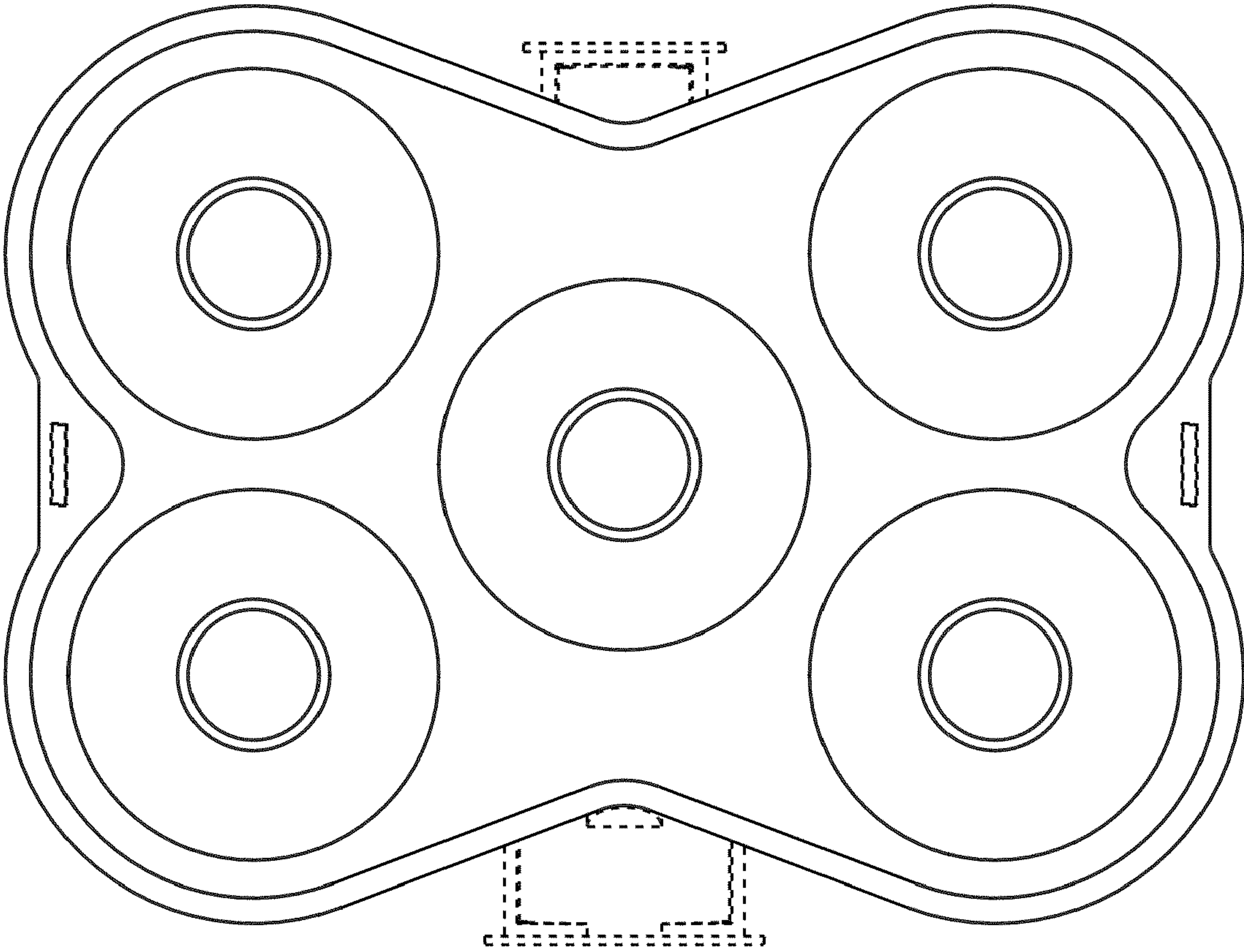


FIG. 5

FIG. 6



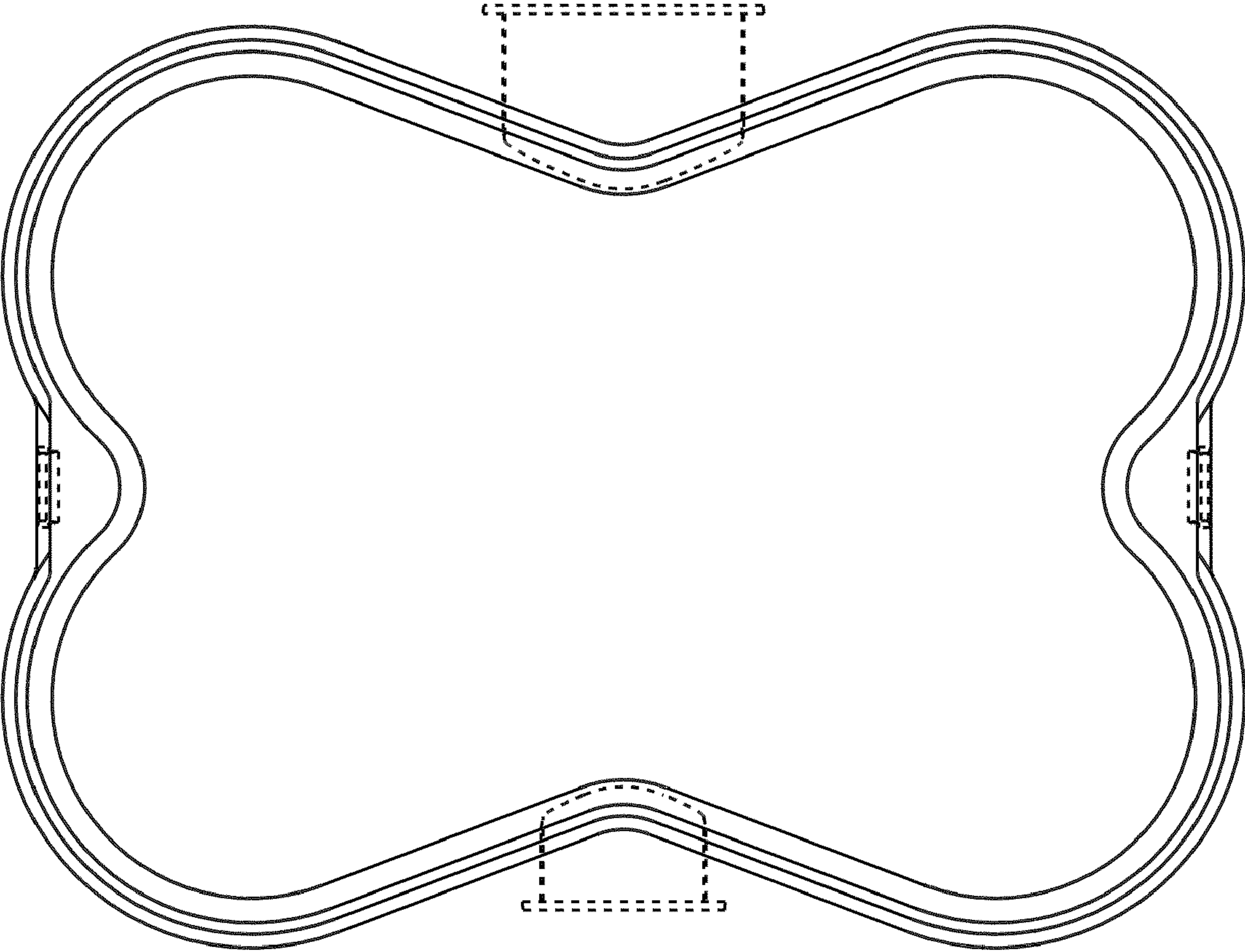


FIG. 7



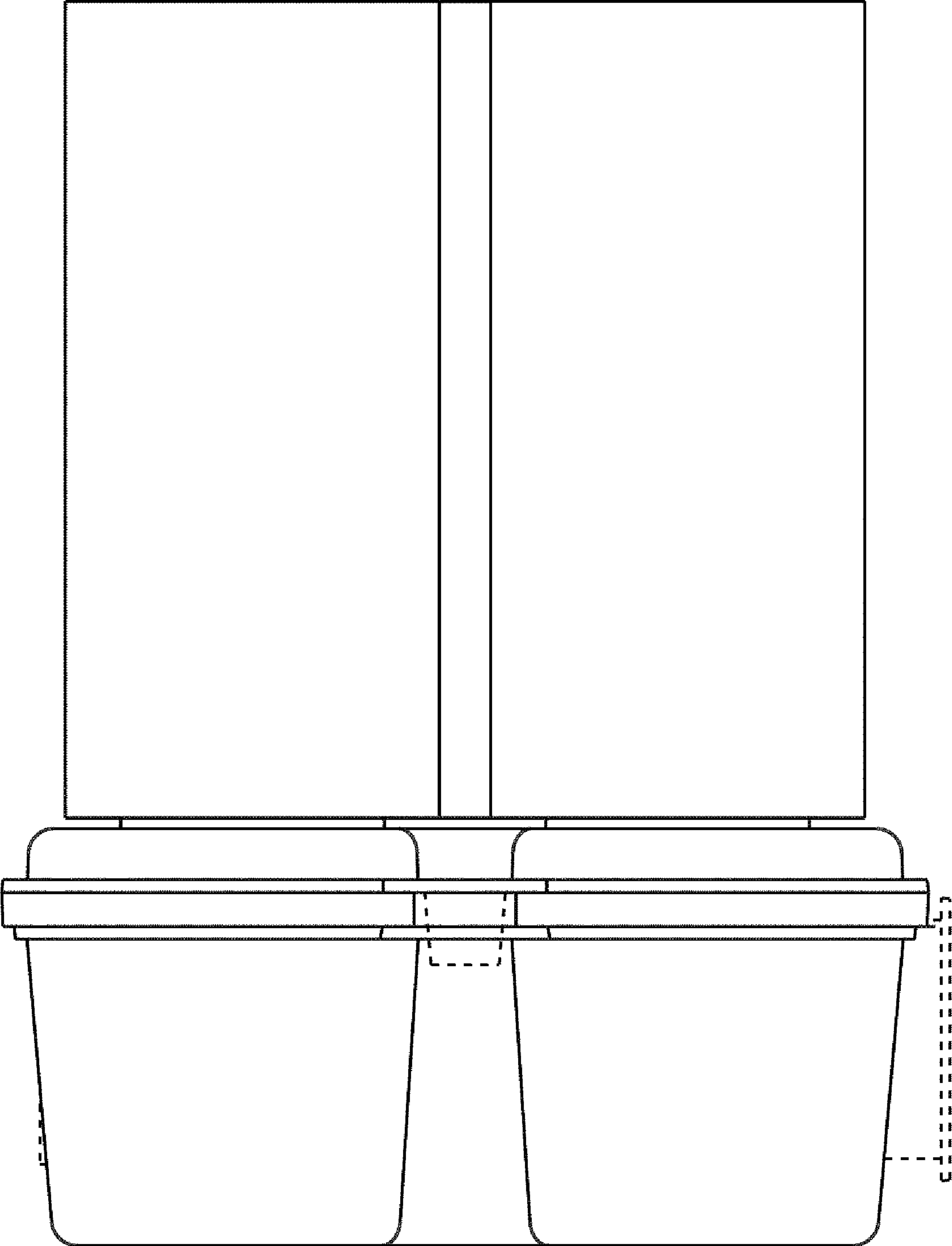


FIG. 8

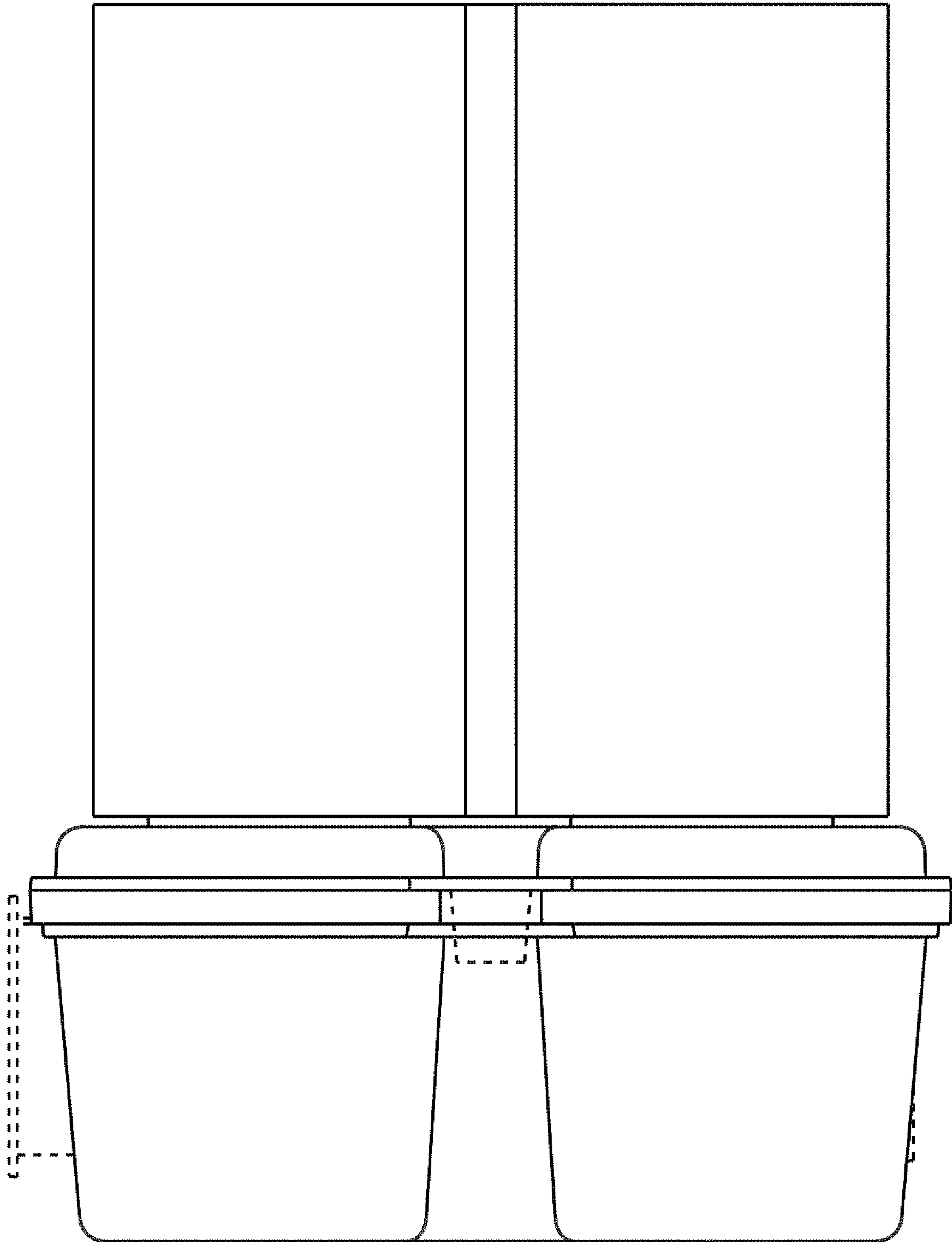


FIG. 9