



US00D643088S

(12) **United States Design Patent**  
**McDaniel et al.**

(10) **Patent No.:** **US D643,088 S**

(45) **Date of Patent:** **\*\* Aug. 9, 2011**

(54) **HUNTING SCENT DISTRIBUTION DEVICE**

(76) Inventors: **Russell E. McDaniel**, Orlando, FL (US);  
**Eric B. McDaniel**, Orlando, FL (US)

(\*\*) Term: **14 Years**

(21) Appl. No.: **29/385,202**

(22) Filed: **Feb. 10, 2011**

(51) **LOC (9) Cl.** ..... **22-05**

(52) **U.S. Cl.** ..... **D22/125**

(58) **Field of Classification Search** ..... D22/125,  
D22/199; 43/1-3; D23/368; 239/6, 55-56,  
239/59, 70; D8/391; 222/187, 146.5, 180;  
392/395

See application file for complete search history.

(56) **References Cited**

U.S. PATENT DOCUMENTS

5,161,646 A \* 11/1992 Aurich et al. .... 222/187  
D447,533 S \* 9/2001 Cox ..... D22/125  
6,655,604 B2 \* 12/2003 Tuttobene, Jr. .... 239/6  
6,857,214 B1 \* 2/2005 Pelissier ..... 43/1

D505,479 S \* 5/2005 Burgeson ..... D22/125  
D575,841 S \* 8/2008 Prichard ..... D22/125  
D594,337 S \* 6/2009 Burgeson ..... D22/125

\* cited by examiner

*Primary Examiner* — Catheri Oliver

(74) *Attorney, Agent, or Firm* — Allen Dyer Doppelt  
Milbrath & Gilchrist

(57) **CLAIM**

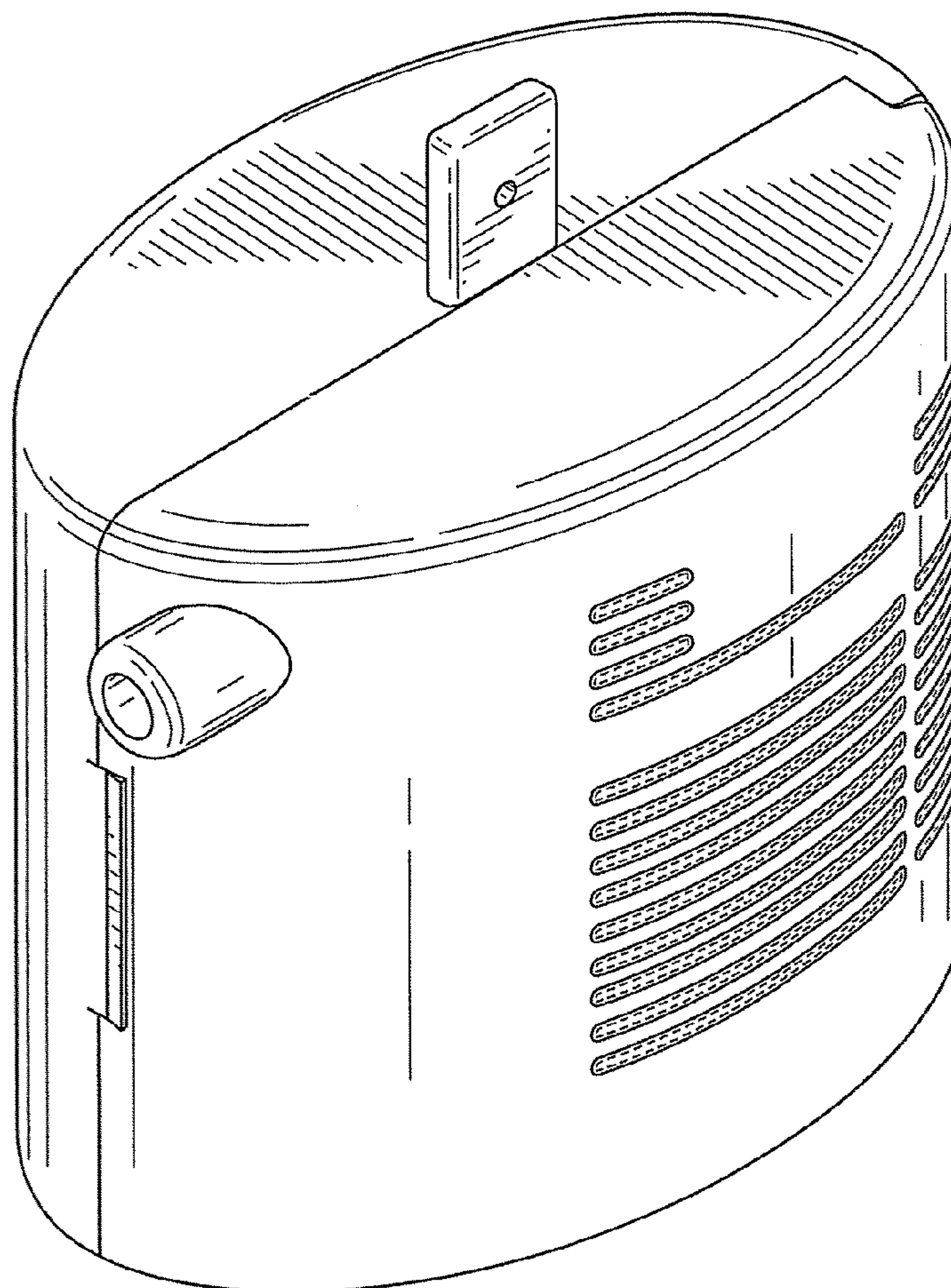
The ornamental design for a hunting scent distribution device, as shown and described.

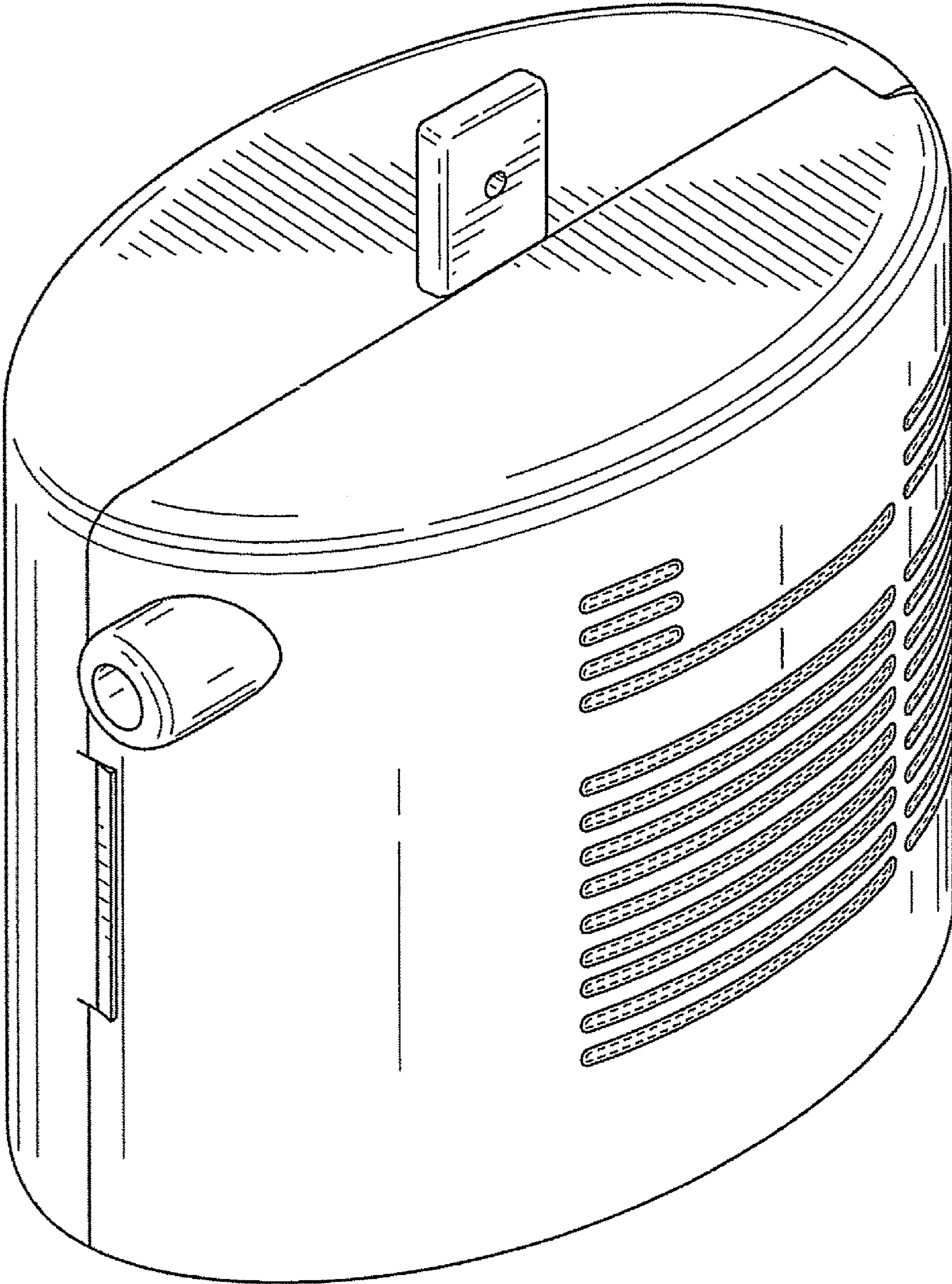
**DESCRIPTION**

FIG. 1 is a front, left, top perspective view thereof;  
FIG. 2 is a rear, right, bottom perspective view thereof;  
FIG. 3 is a front view thereof;  
FIG. 4 is a rear view thereof;  
FIG. 5 is a left side view thereof;  
FIG. 6 is a right side view thereof;  
FIG. 7 is a top view thereof; and,  
FIG. 8 is a bottom view thereof.

Broken lines illustrate boundaries of the claimed invention, such that the internal structure of the hunting scent distribution device beyond the broken lines forms no part thereof.

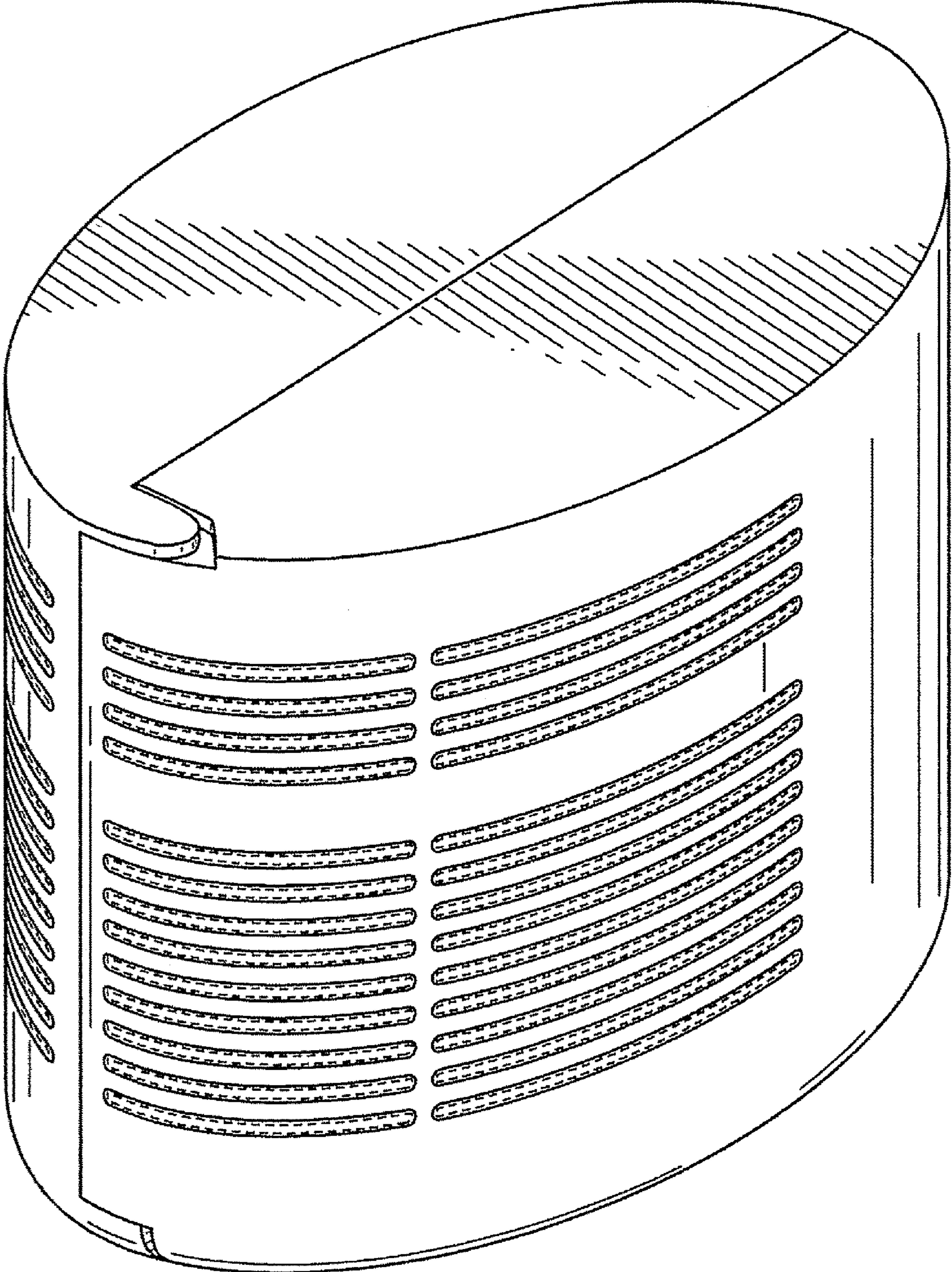
**1 Claim, 8 Drawing Sheets**



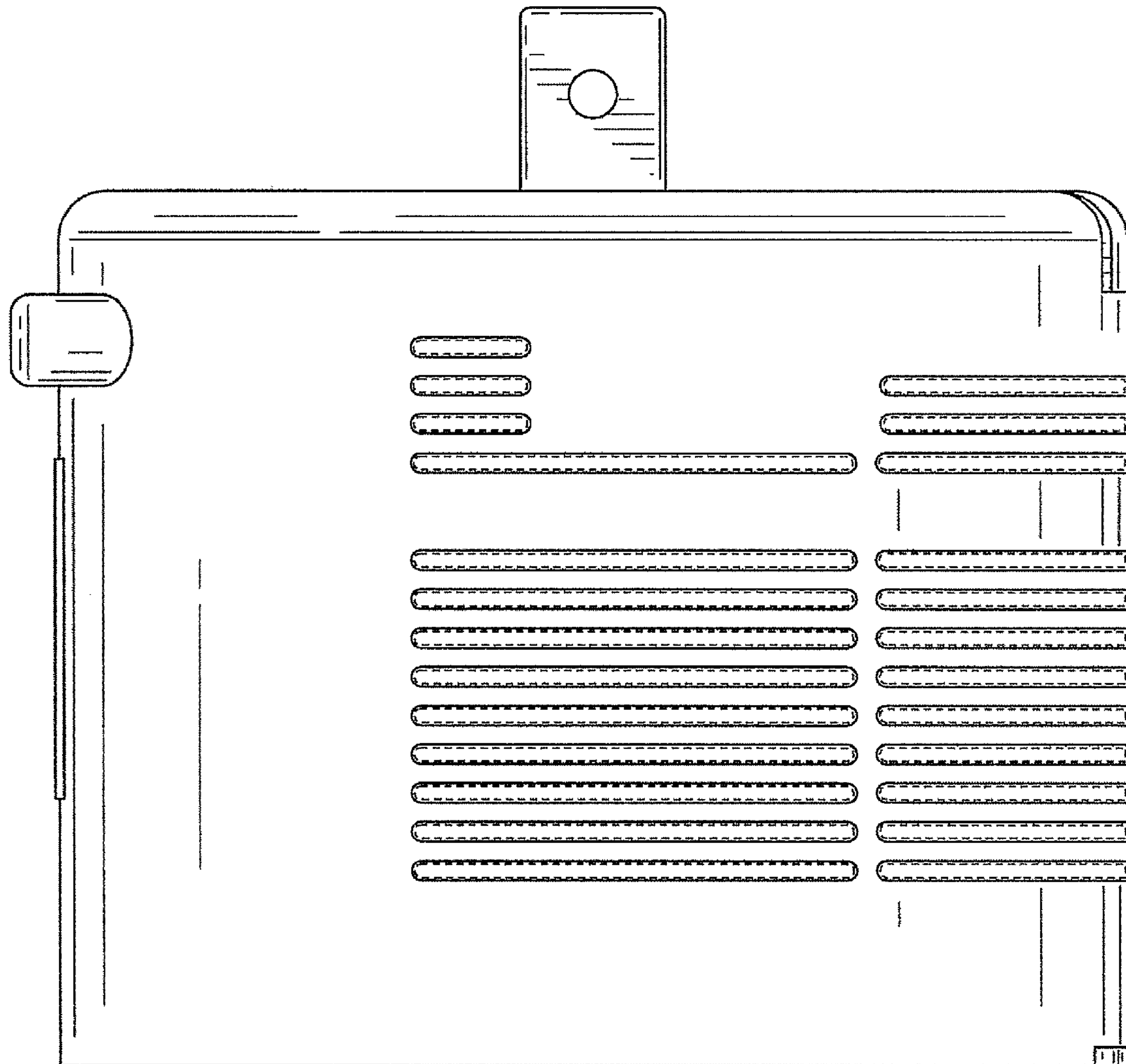


**FIG. 1**





**FIG. 2**



**FIG. 3**

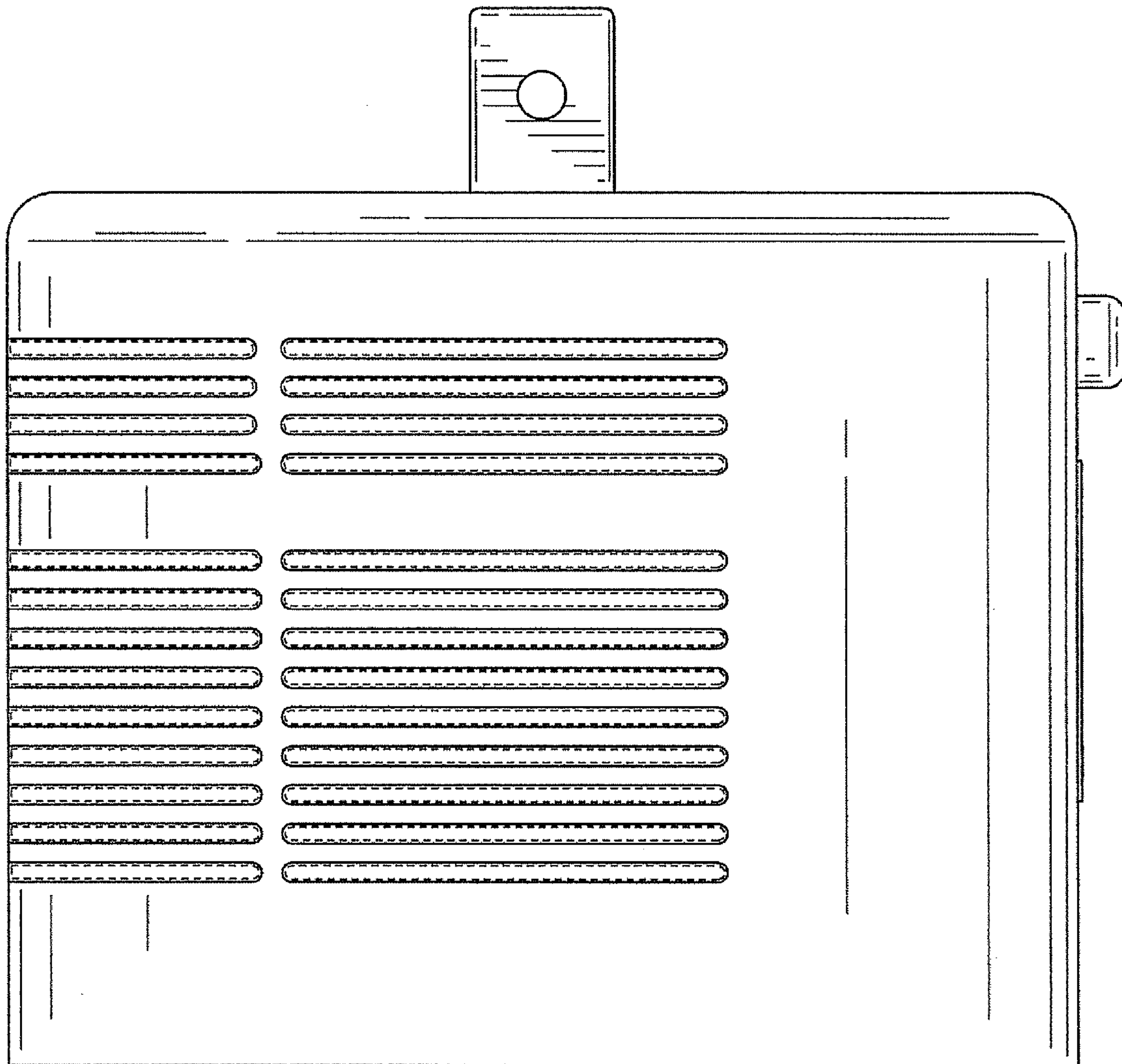
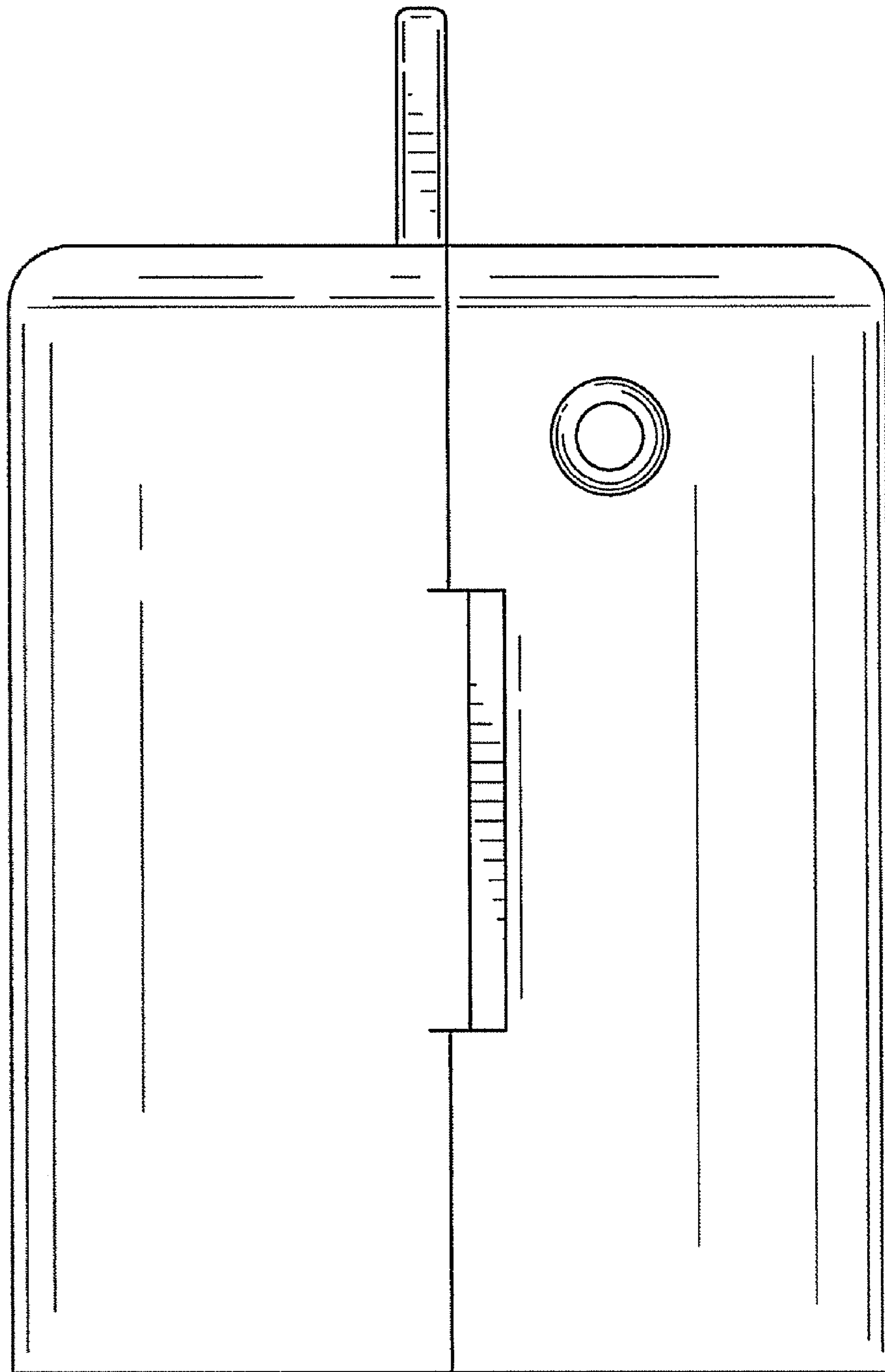
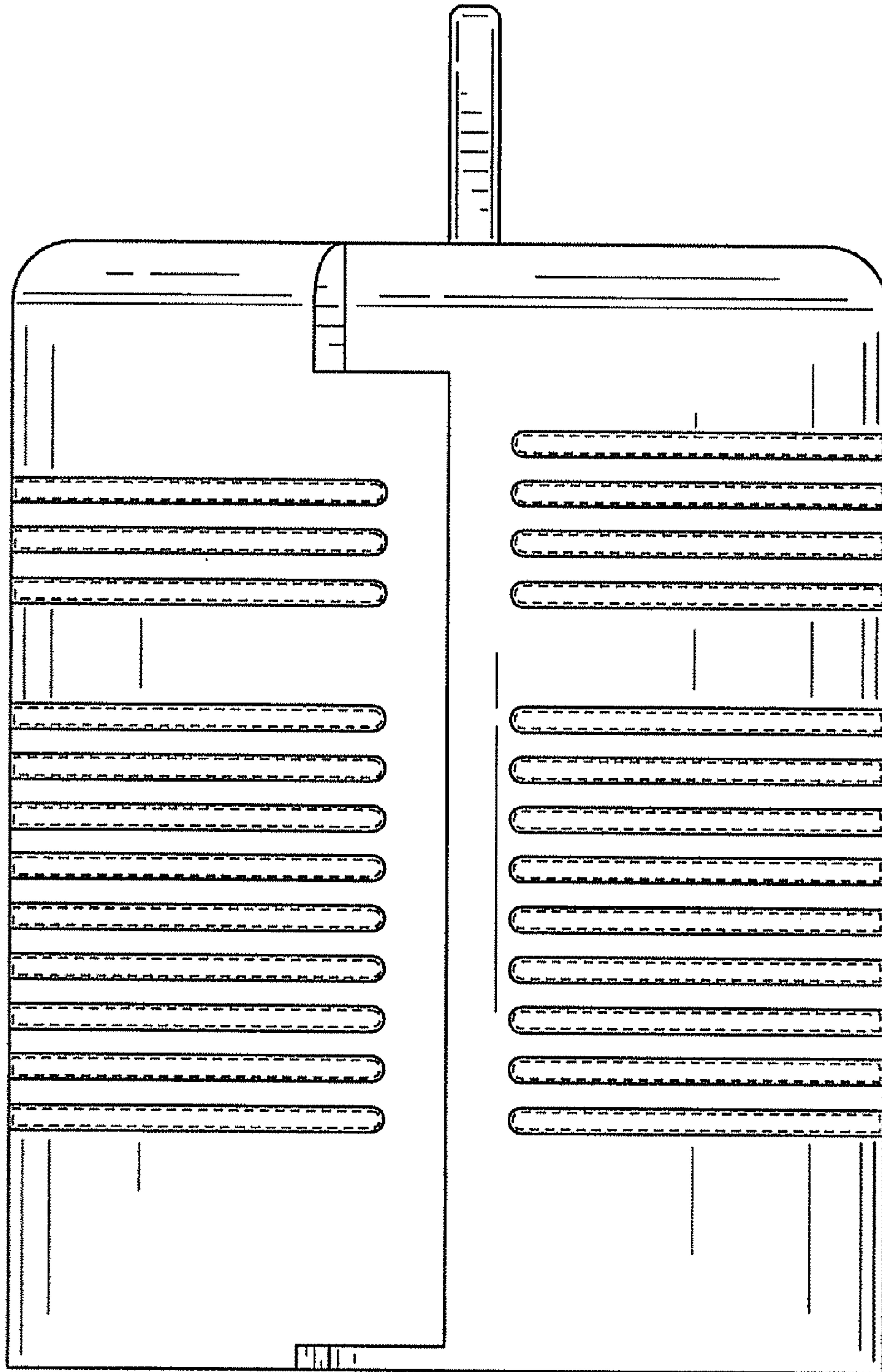


FIG. 4

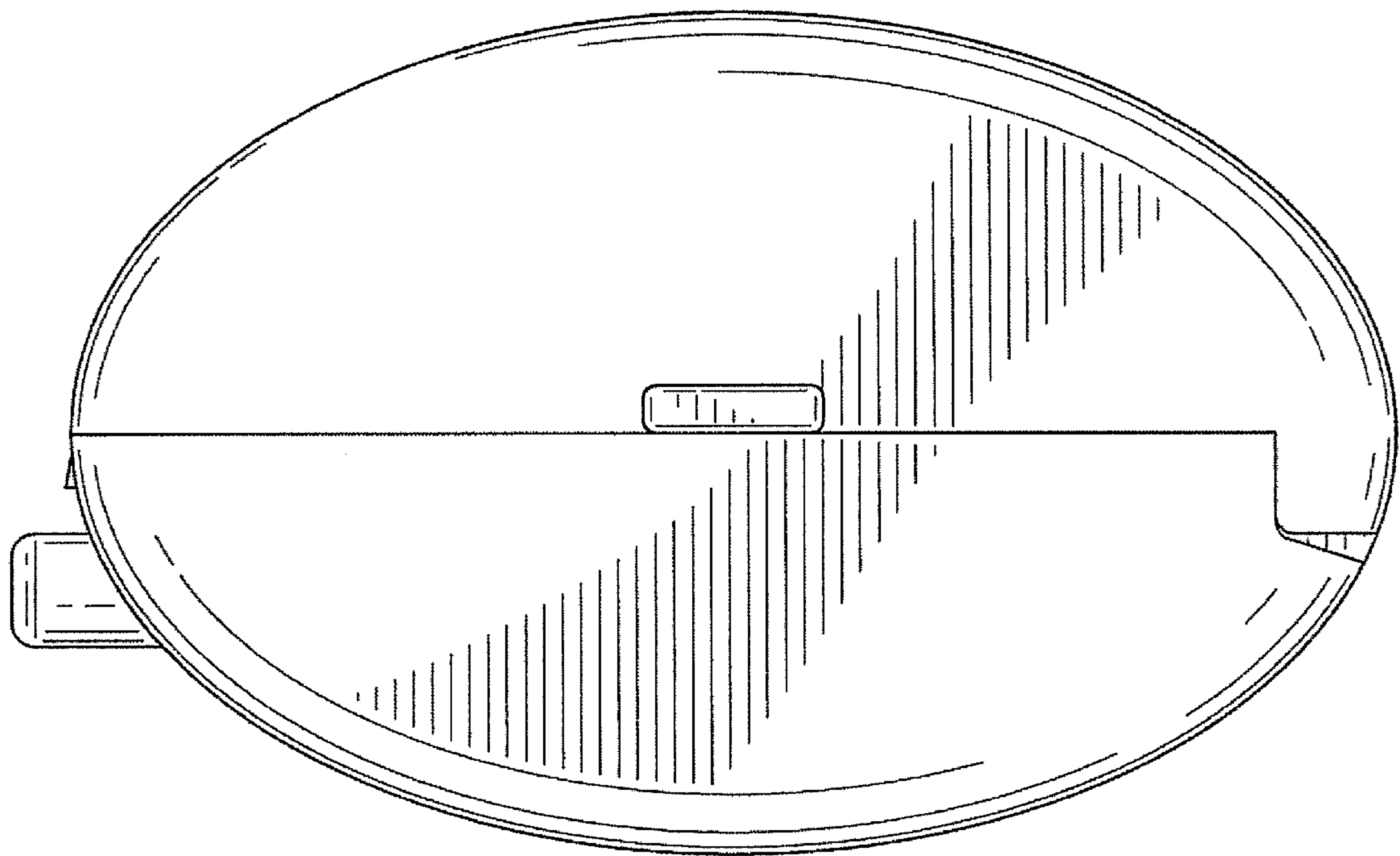


**FIG. 5**



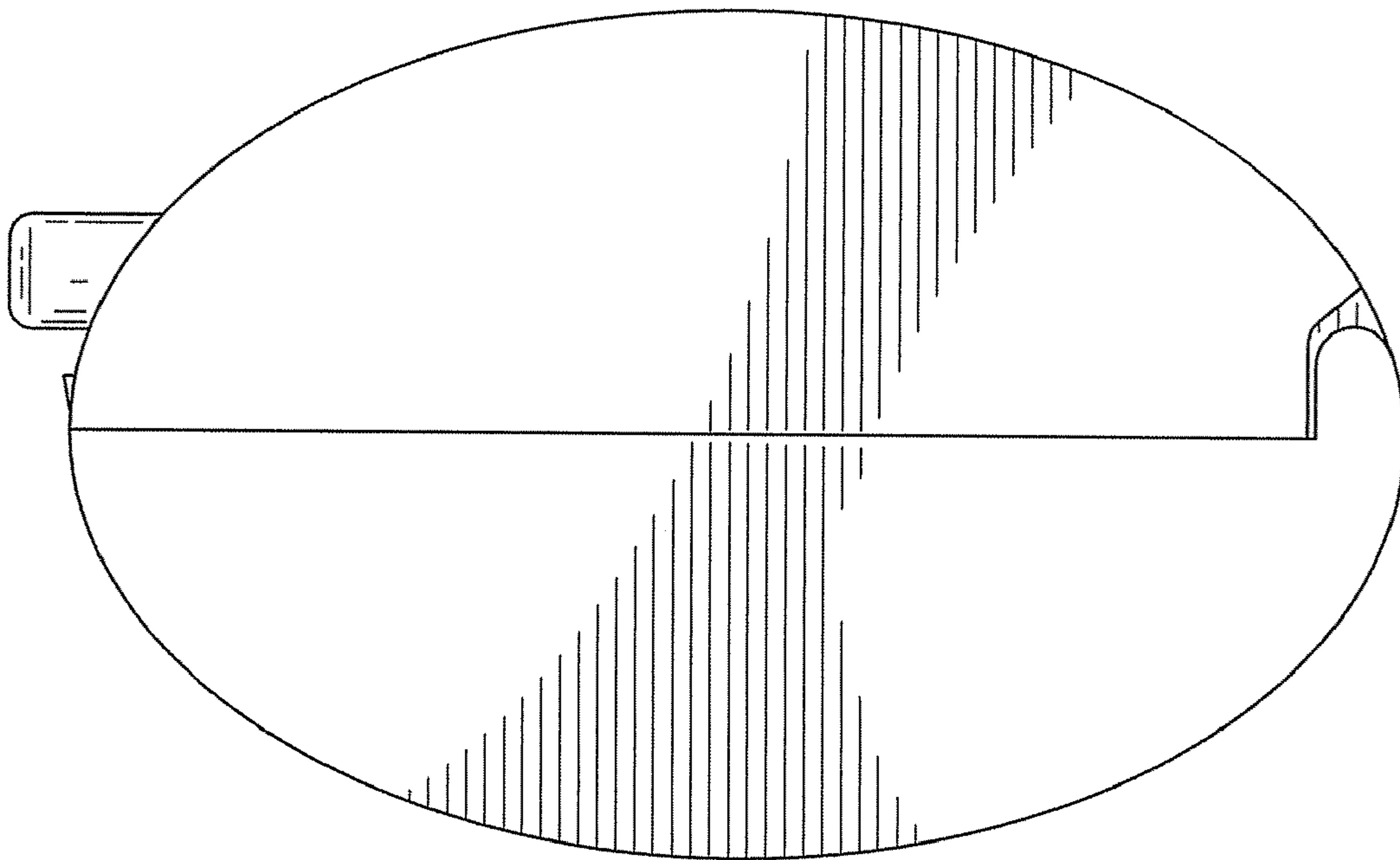


**FIG. 6**



**FIG. 7**





**FIG. 8**