



US00D643087S

(12) **United States Design Patent**
Oliver

(10) **Patent No.:** **US D643,087 S**

(45) **Date of Patent:** **** *Aug. 9, 2011**

(54) **NONAGONAL FIREARM SUPPRESSOR**

(75) Inventor: **Russell Oliver**, Sandy, UT (US)

(73) Assignee: **OS Inc.**, Cheyenne, WY (US)

(*) Notice: This patent is subject to a terminal disclaimer.

(**) Term: **14 Years**

(21) Appl. No.: **29/362,723**

(22) Filed: **May 28, 2010**

(51) **LOC (9) Cl.** **22-01**

(52) **U.S. Cl.** **D22/108**

(58) **Field of Classification Search** D22/100,
D22/101, 103, 104, 108, 199; D21/386,
D21/572, 573; 42/51, 71.01, 75.01, 75.02,
42/90, 94, 134, 136, 139, 125, 72, 111; 362/110;
33/241, 277; 313/105 R; 89/40.06, 41.19,
89/37.04, 33.04, 191.01, 200-204; 124/67,
124/66, 72, 74; D1/100, 127-130, 199; D11/10-11,
D11/26-28, 40-43, 75, 89-93; D28/8.1;
D24/100-101; 119/702, 707-711; 102/485;
D25/106, 119; D8/320

See application file for complete search history.

(56) **References Cited**

U.S. PATENT DOCUMENTS

37,193 A * 12/1862 Alsop 42/78
1,932,986 A * 10/1933 Powell 43/18.1 R
4,964,192 A * 10/1990 Marui 16/421
D369,360 S * 4/1996 Hunter D15/126
6,302,009 B1 10/2001 O'Quinn et al.
D458,089 S * 6/2002 Huckaba D7/683
D598,516 S * 8/2009 Butler D22/108
D611,562 S * 3/2010 Sjoberg D22/142

7,681,530 B2 * 3/2010 Perry 119/269
2009/0175404 A1 * 7/2009 Singh et al. 376/272
2009/0176034 A1 * 7/2009 Ruuttu et al. 427/566
2010/0216568 A1 * 8/2010 Chol 473/296
2010/0275738 A1 * 11/2010 Taylor, Jr. 81/121.1

OTHER PUBLICATIONS

“Lever Action Octagon—Frontier Model,” Henry Repeating Arms Rifles, www.henryrepeating.com/h001t_leveroctagon.cfm, accessed Jul. 14, 2010.

* cited by examiner

Primary Examiner — T. Chase Nelson

Assistant Examiner — Michael Pratt

(74) *Attorney, Agent, or Firm* — Thorpe North & Western LLP

(57) **CLAIM**

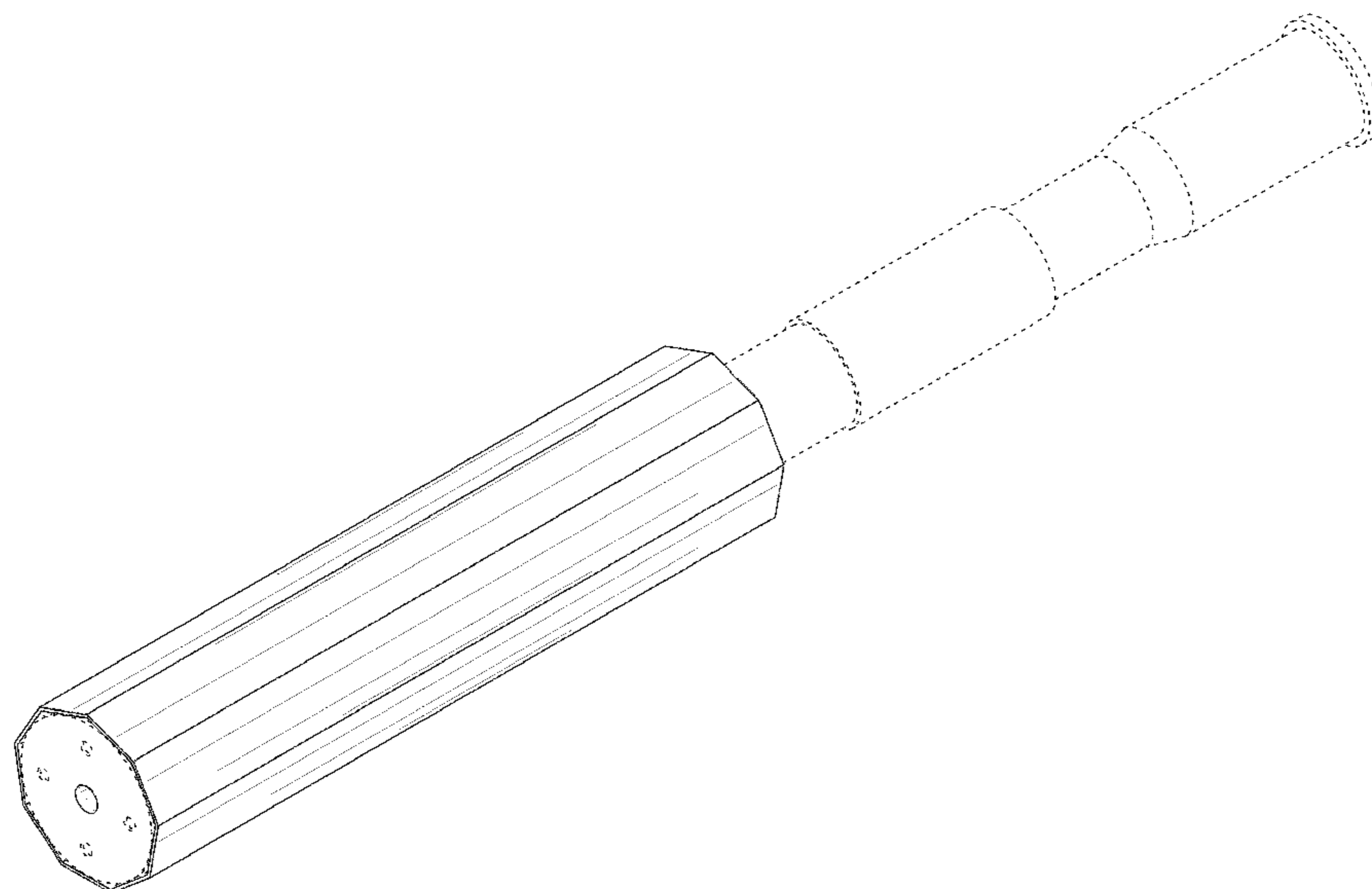
The ornamental design for a nonagonal firearm suppressor, as shown and described herein.

DESCRIPTION

FIG. 1 is a perspective view of the nonagonal firearm suppressor in accordance with my invention; FIG. 2 is an end view thereof, taken from the left side of FIG. 1; FIG. 3 is an end view thereof, taken from the right side of FIG. 1; FIG. 4 is a first side view thereof; FIG. 5 is a second side view thereof; FIG. 6 is a top view thereof; and, FIG. 7 is a bottom view thereof.

Broken lines shown in FIGS. 1-7 are for illustrative purposes only and form no part of the claimed design. The surface indicia of parallel lines also form no part of the claimed design and are merely surface shading.

1 Claim, 4 Drawing Sheets



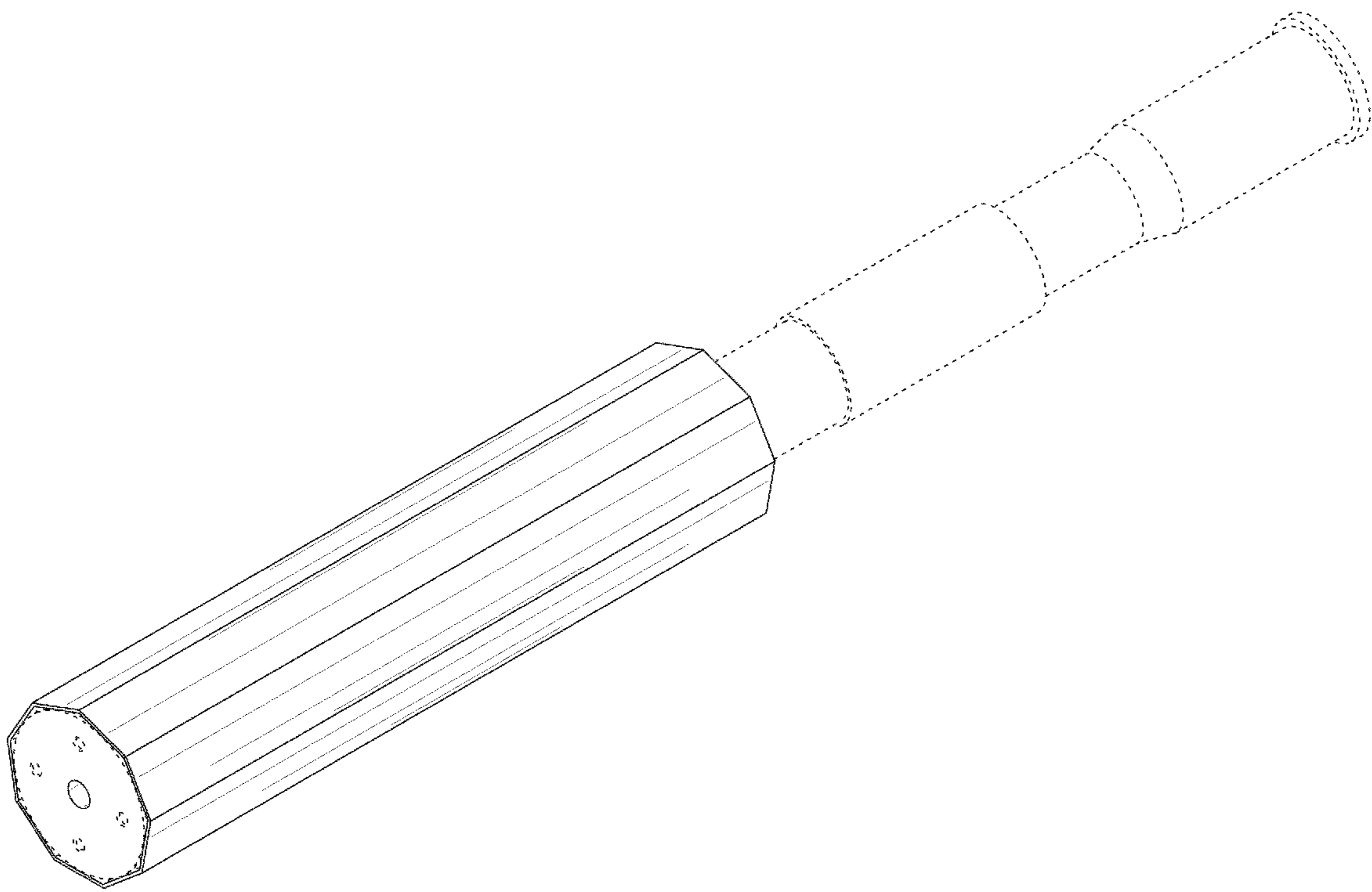


FIG. 1

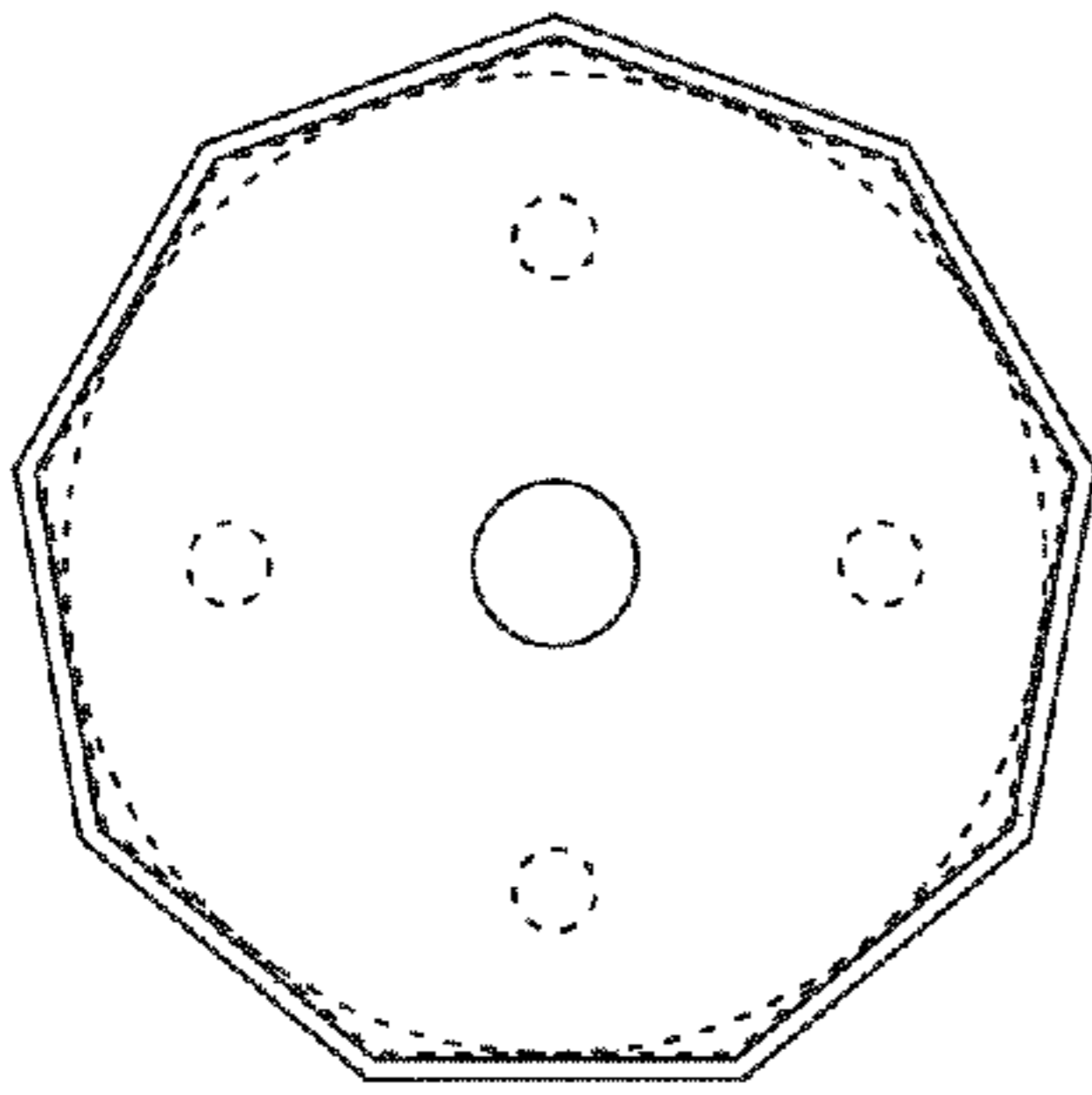


FIG. 2

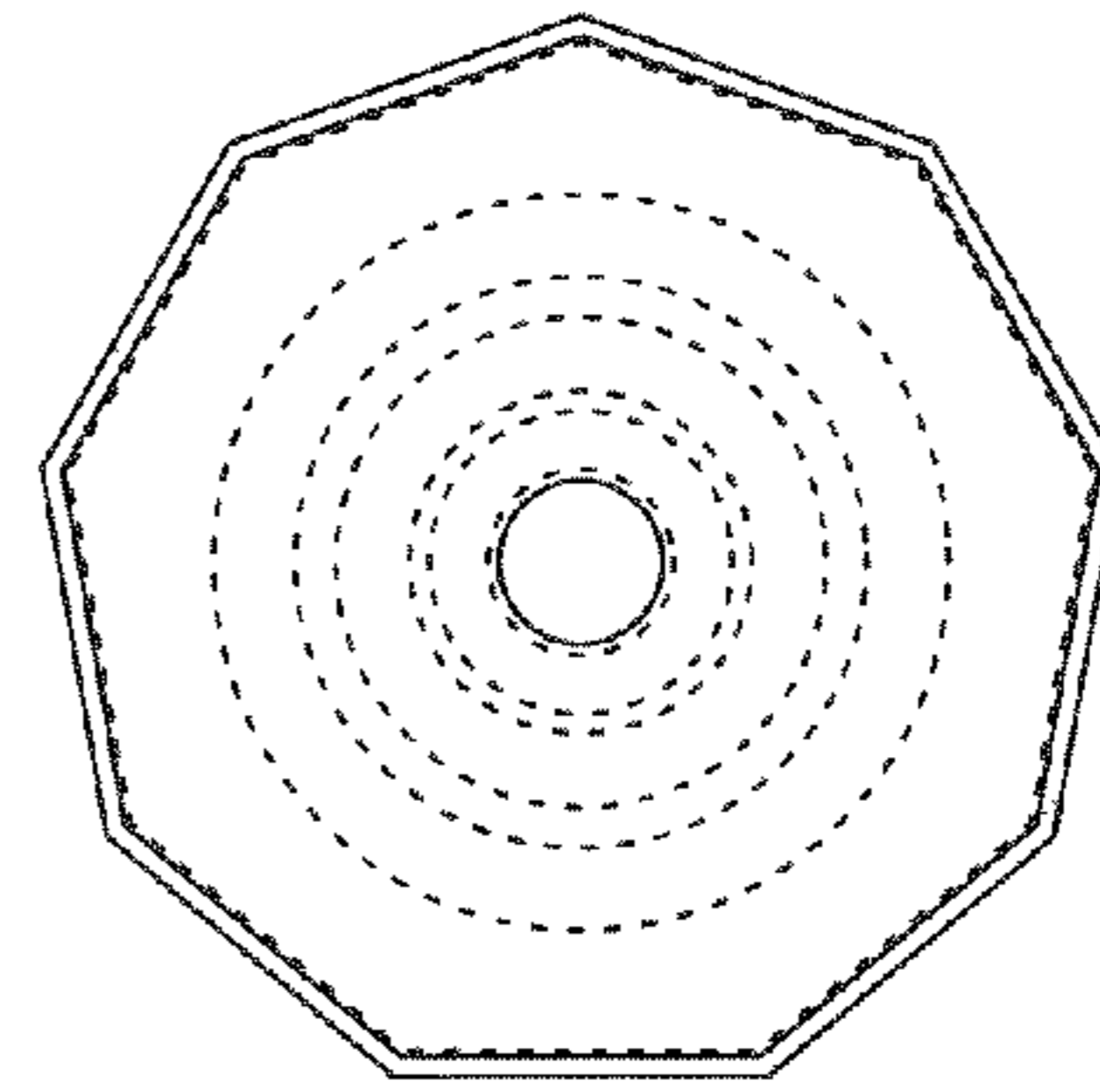


FIG. 3

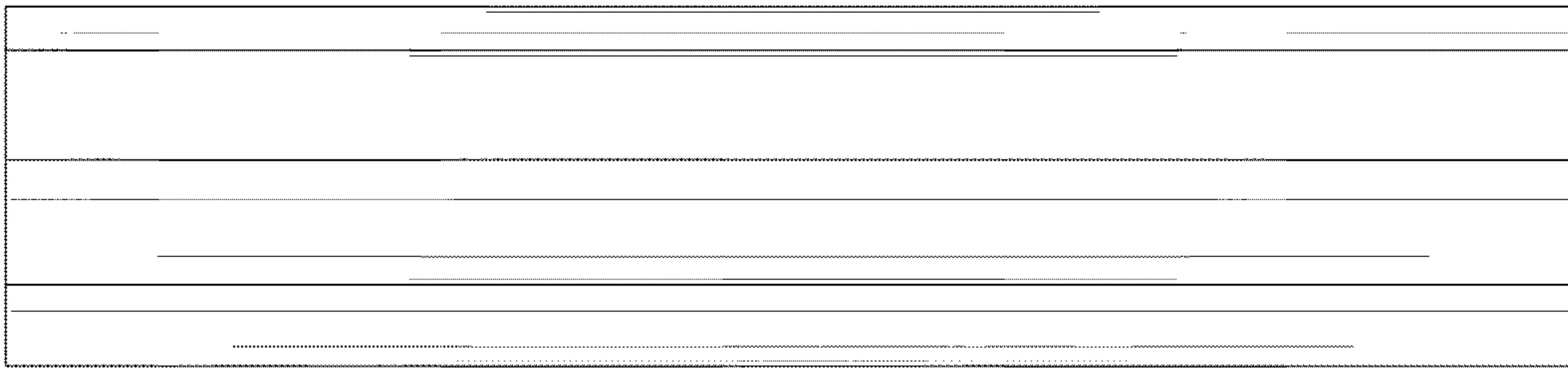


FIG. 4

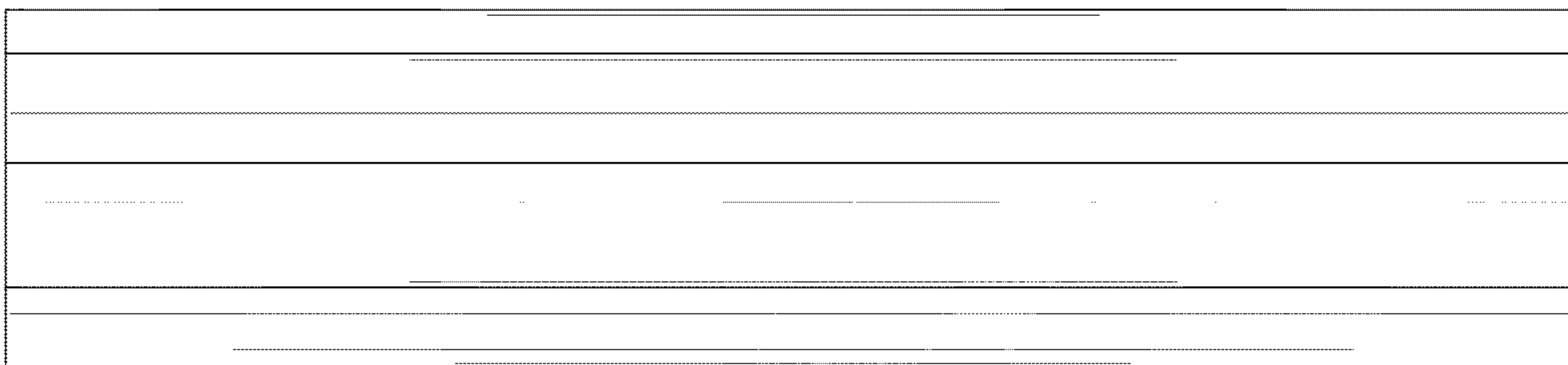


FIG. 5

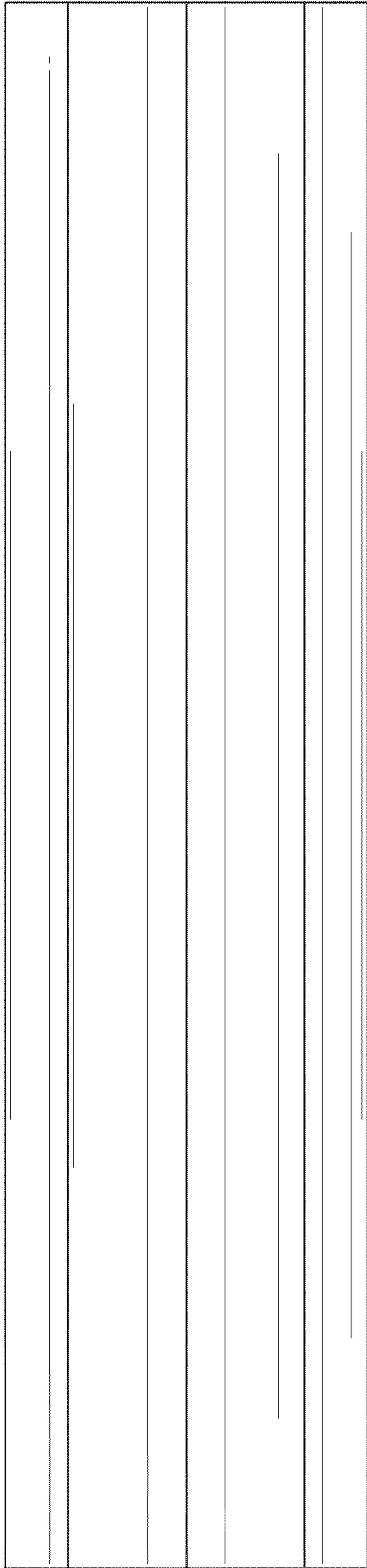


FIG. 6

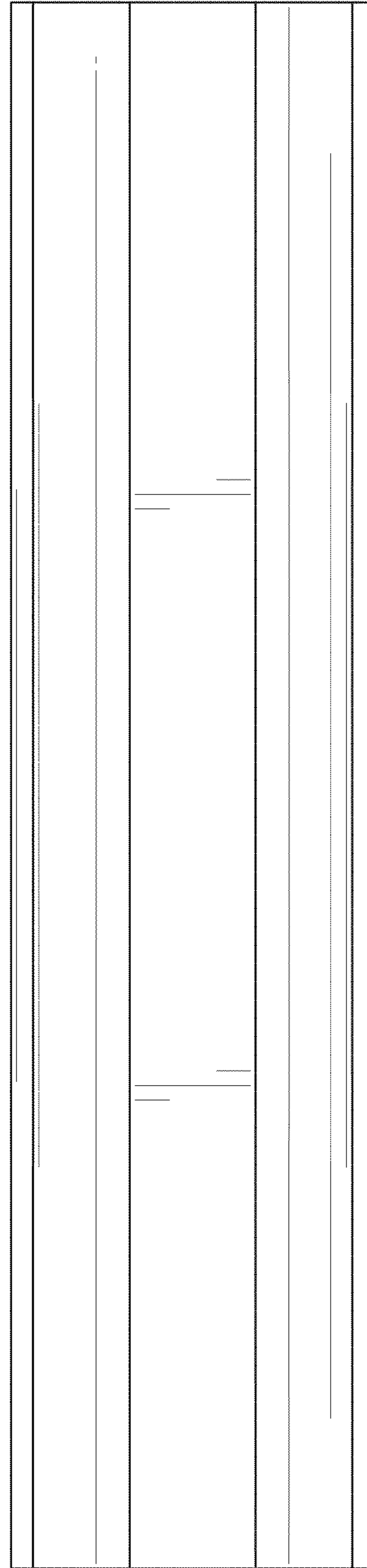


FIG. 7