



US00D643085S

(12) **United States Design Patent**
Peterson et al.

(10) **Patent No.:** **US D643,085 S**

(45) **Date of Patent:** **** Aug. 9, 2011**

(54) **MODULAR ADJUSTABLE TACTICAL FIREARM SYSTEM**

(75) Inventors: **Morris Peterson**, Earlysville, VA (US);
Matthew Peterson, Crozet, VA (US);
Gary Vance, Bristol, VA (US); **William McCormick**, Bluff City, TN (US);
Charles Robert Overbey, Jr., Deland, FL (US)

(73) Assignee: **Ashbury International Group, Inc.**,
Ruckersville, VA (US)

(**) Term: **14 Years**

(21) Appl. No.: **29/367,161**

(22) Filed: **Aug. 4, 2010**

Related U.S. Application Data

(60) Division of application No. 29/340,269, filed on Jul. 15, 2009, now Pat. No. Des. 626,618, which is a continuation of application No. 12/251,384, filed on Oct. 14, 2008.

(51) **LOC (9) Cl.** **22-01**

(52) **U.S. Cl.** **D22/103**

(58) **Field of Classification Search** D22/100,
D22/101, 103, 104, 108, 199; D21/572,
D21/573; 42/51, 71.01, 75.01, 75.02, 90,
42/94, 134, 136, 139, 125, 72, 111; 362/110;
33/241, 277; 313/105 R; 89/40.06, 41.19,
89/37.04, 33.04, 191.01, 200-204; 124/67,
124/66, 74

See application file for complete search history.

(56) **References Cited**

U.S. PATENT DOCUMENTS

6,598,330	B2 *	7/2003	Garrett et al.	42/85
2005/0000142	A1 *	1/2005	Kim et al.	42/124
2005/0241206	A1 *	11/2005	Teetzel et al.	42/72
2006/0026883	A1 *	2/2006	Hochstrate et al.	42/75.01
2006/0048424	A1 *	3/2006	Weir	42/69.01
2006/0162227	A1 *	7/2006	Samson	42/148
2007/0199435	A1 *	8/2007	Hochstrate et al.	89/191.02

* cited by examiner

Primary Examiner — T. Chase Nelson

Assistant Examiner — Michael Pratt

(74) *Attorney, Agent, or Firm* — Troutman Sanders LLP;
Robert R. Elliott, Jr.

(57) **CLAIM**

The ornamental design for a modular, adjustable tactical firearm system, as shown and described.

DESCRIPTION

FIG. 1 illustrates a perspective, side view of a new design for a modular, adjustable tactical firearm system depicting a modular, extendable folding buttstock; a modular truss-type forend; and a modular lower receiver;

FIG. 2 illustrates a cross-sectional view of a new design for a modular, adjustable tactical firearm system depicting a modular, extendable folding buttstock; a modular truss-type forend; and a modular lower receiver;

FIG. 3 illustrates a cross-sectional view of a new design for a modular, adjustable tactical firearm system depicting a modular, extendable folding buttstock; a modular truss-type forend; and a modular lower receiver;

FIG. 4 illustrates a side view of a new design for a modular, adjustable tactical firearm system depicting a modular, extendable folding buttstock; a modular truss-type forend; and a modular lower receiver;

FIG. 5 illustrates a side view of a new design for a modular, adjustable tactical firearm system depicting a modular, extendable folding buttstock; a modular truss-type forend; and a modular lower receiver;

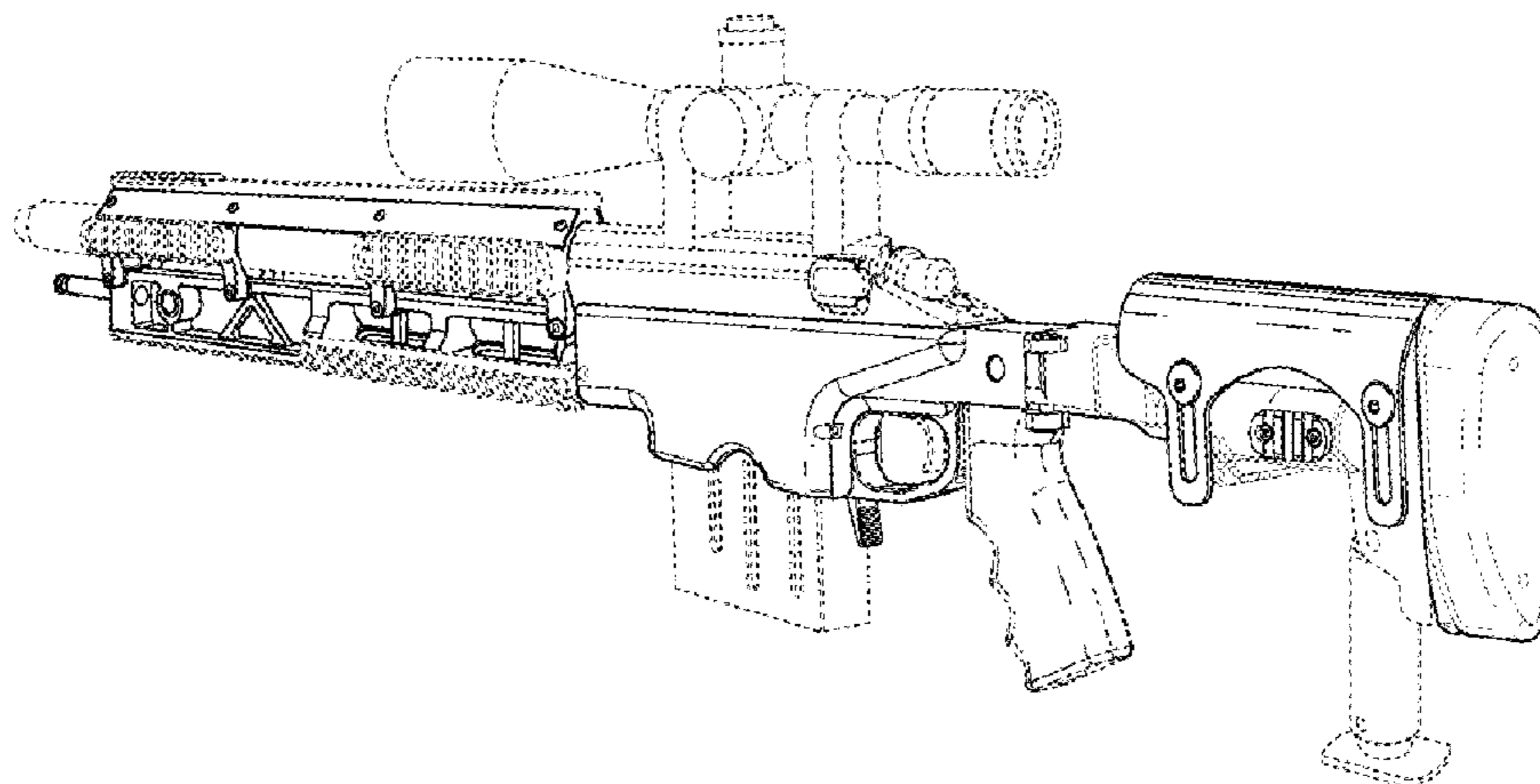
FIG. 6 illustrates a top view of a new design for a modular, adjustable tactical firearm system depicting a modular, extendable folding buttstock; a modular truss-type forend; and a modular lower receiver;

FIG. 7 illustrates a bottom view of a new design for a modular, adjustable tactical firearm system depicting a modular, extendable folding buttstock; a modular truss-type forend; and a modular lower receiver; and,

FIG. 8 illustrates an exploded, perspective, side view of a new design for a modular, adjustable tactical firearm system depicting a modular, extendable folding buttstock; a modular truss-type forend; and a modular lower receiver.

The broken, dashed lines shown in the various figures depicting embodiments of the invention are included for the purpose of illustrating environment and do not form any part of the claimed design.

1 Claim, 5 Drawing Sheets



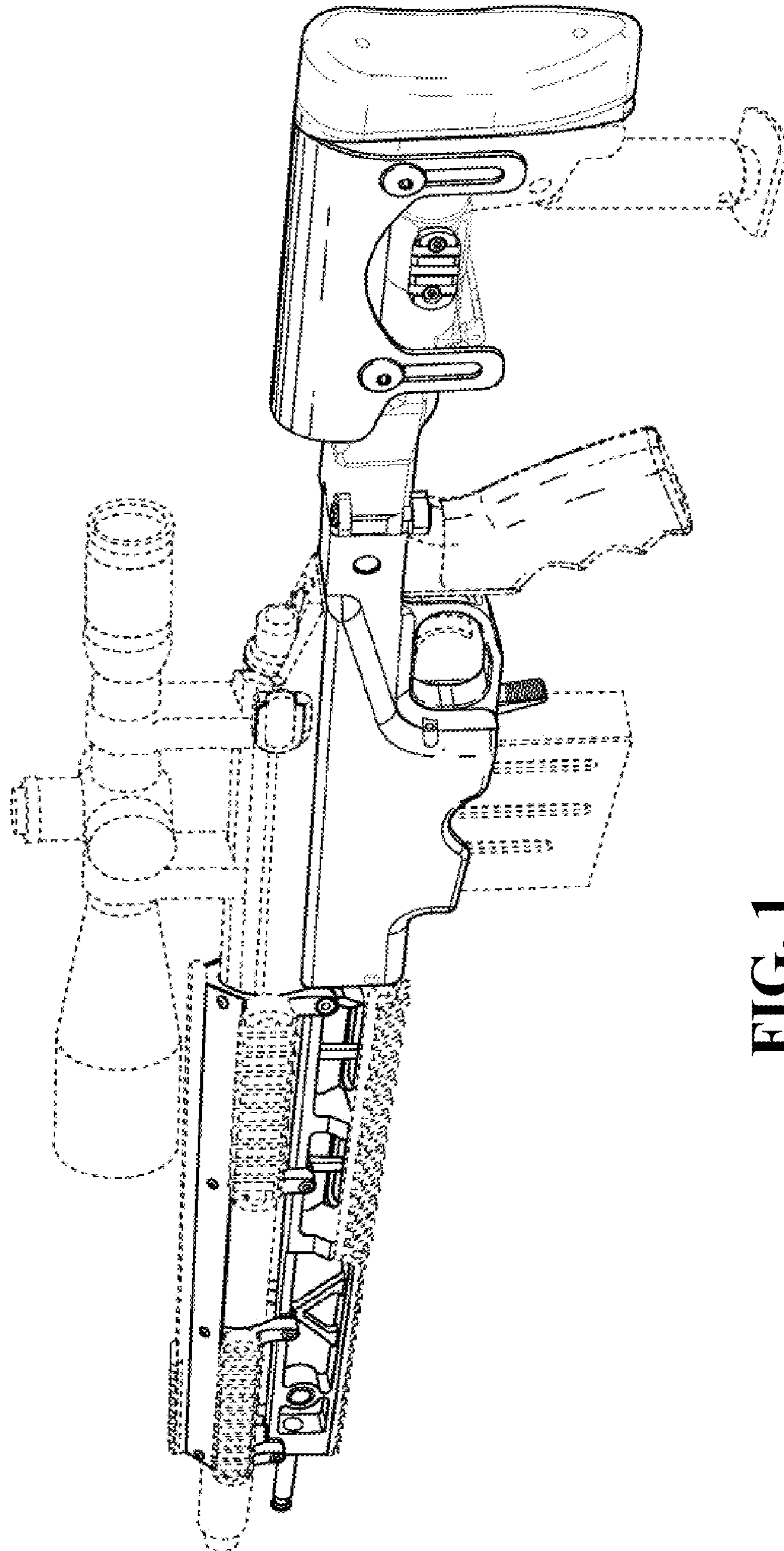


FIG. 1

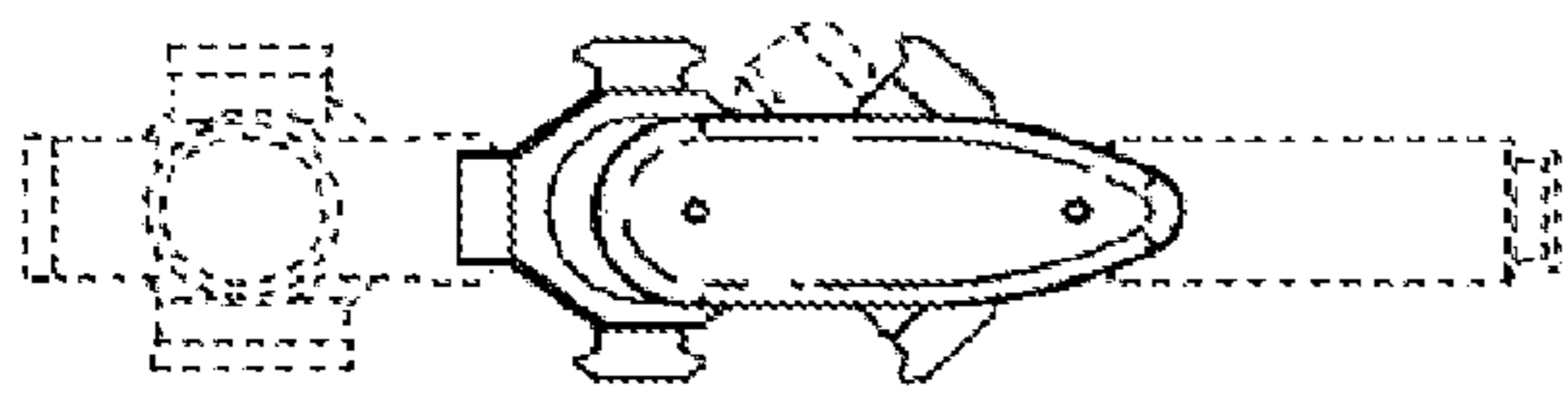


FIG. 2

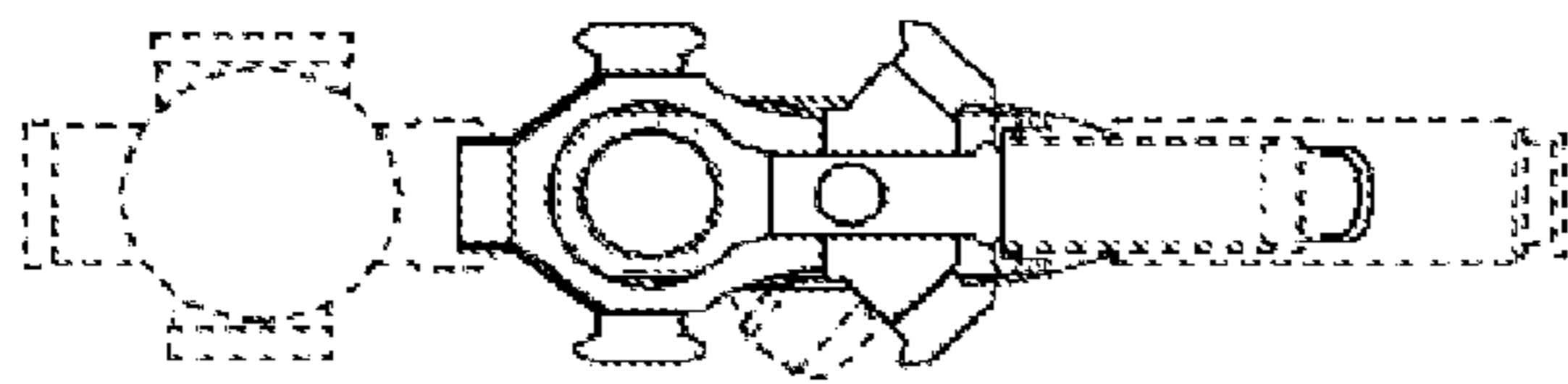


FIG. 3

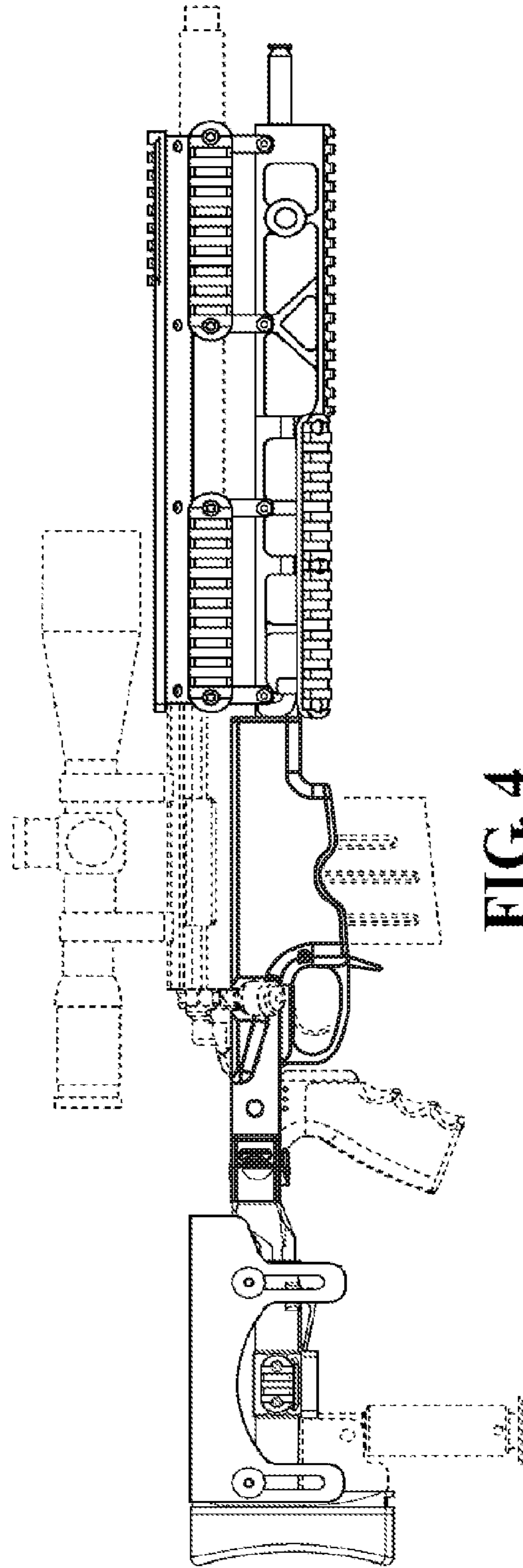


FIG. 4

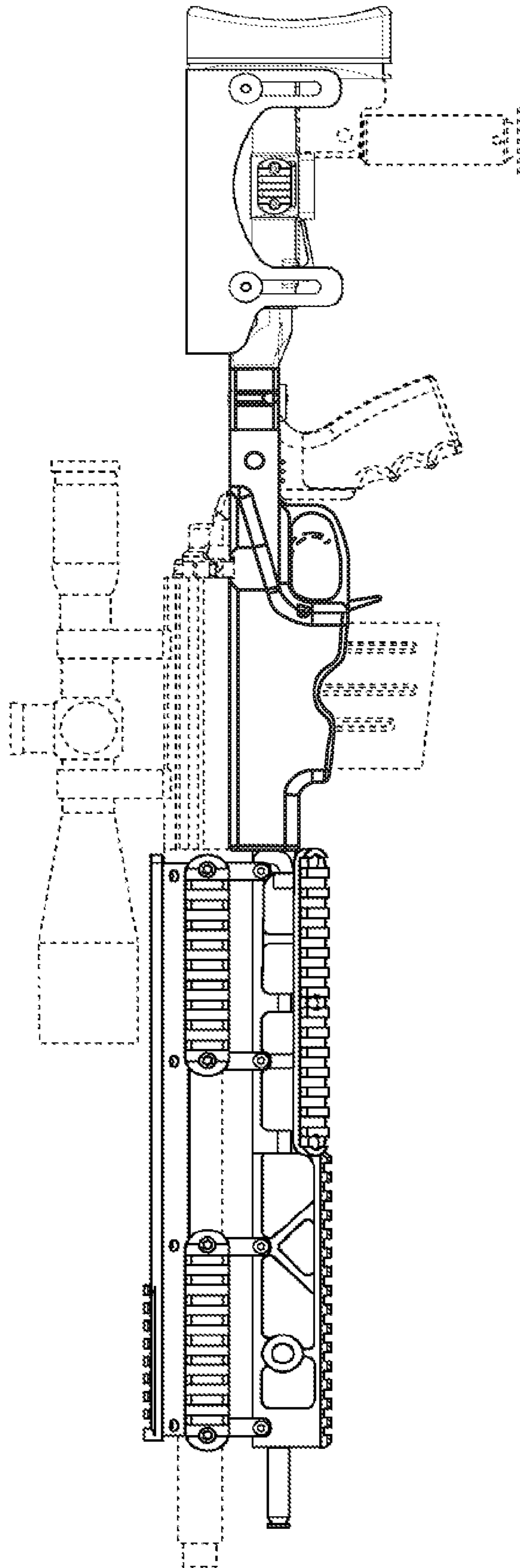


FIG. 5

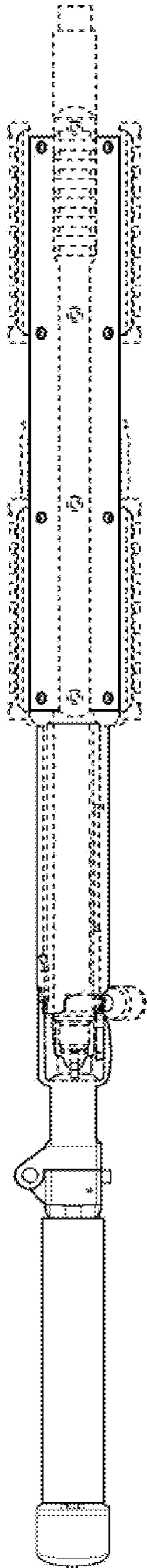


FIG. 6

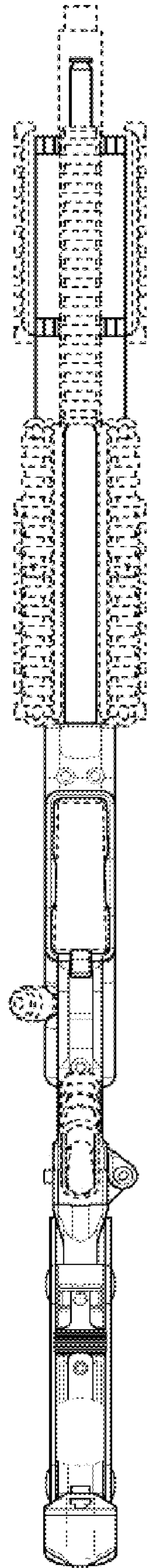


FIG. 7

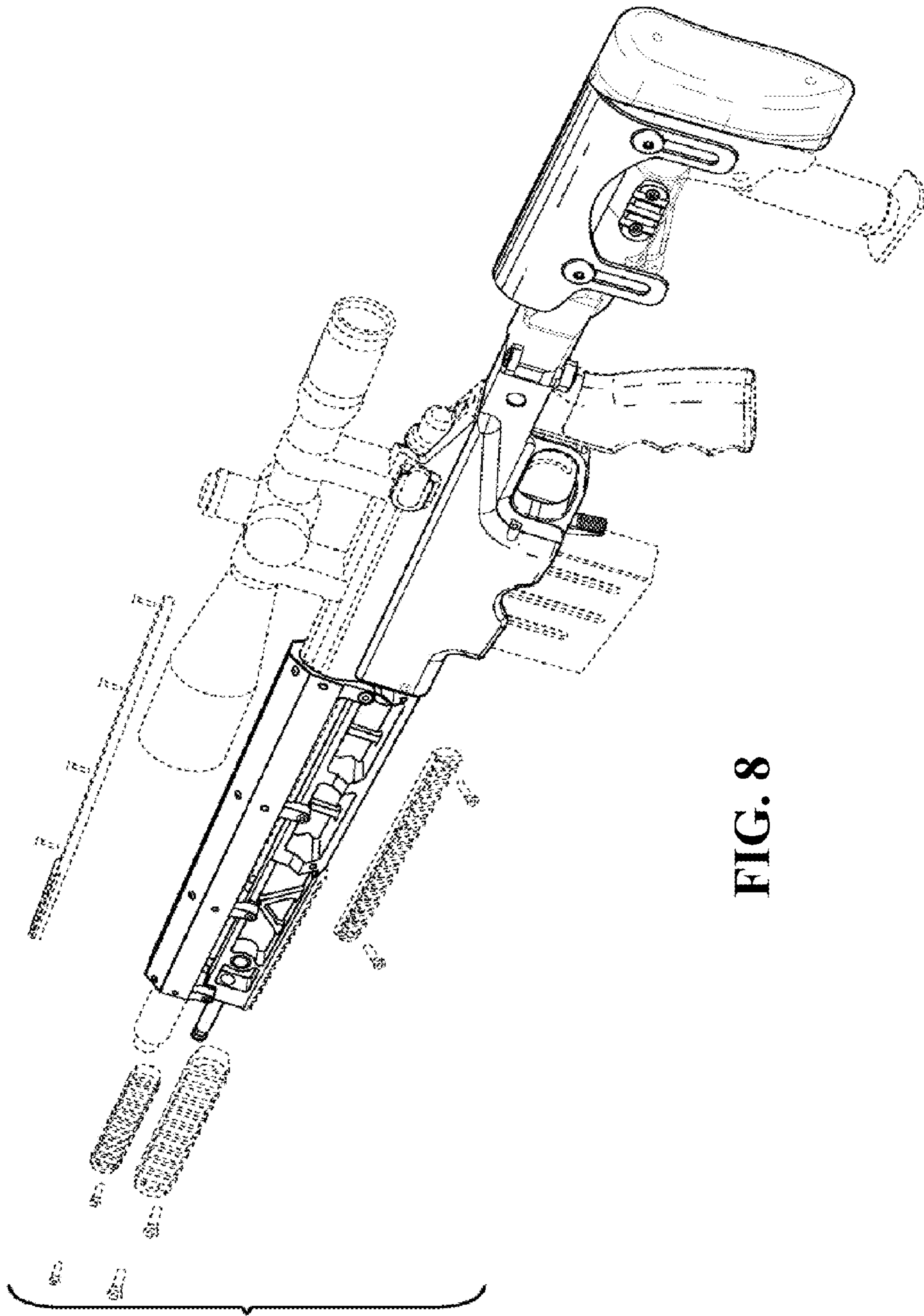


FIG. 8