



US00D643083S

(12) **United States Design Patent**
Crosbie et al.

(10) **Patent No.:** **US D643,083 S**

(45) **Date of Patent:** **** Aug. 9, 2011**

(54) **SNOOKER, POOL OR BILLIARDS BALL RACK**

(75) Inventors: **Robert Andrew Crosbie**, Newport (AU); **Adam Timothy Laws**, East Ryde (AU)

(73) Assignee: **Robert Andrew Crosbie**, Newport, New South Wales (AU)

(**) Term: **14 Years**

(21) Appl. No.: **29/365,918**

(22) Filed: **Jul. 16, 2010**

(30) **Foreign Application Priority Data**

Jan. 20, 2010 (EM) 001658915-0001

(51) **LOC (9) Cl.** **21-01**

(52) **U.S. Cl.** **D21/782**

(58) **Field of Classification Search** D21/782-784, D21/385; 473/40, 41

See application file for complete search history.

(56) **References Cited**

U.S. PATENT DOCUMENTS

D159,558 S * 8/1950 Sundell D21/782
4,469,328 A * 9/1984 Pacitti 473/40

5,556,341 A * 9/1996 Bonn, Jr. 473/40
5,716,285 A * 2/1998 Maceri 473/40
5,997,494 A * 12/1999 Watkins et al. 602/36
6,086,482 A * 7/2000 Voden 473/41
D454,380 S * 3/2002 Porper D21/782
D577,790 S * 9/2008 Yovanovich et al. D21/782
D588,669 S * 3/2009 Taggart et al. D21/782
D595,383 S * 6/2009 Taggart et al. D21/782
7,731,596 B1 * 6/2010 Yovanovich et al. 473/40

* cited by examiner

Primary Examiner — Prabhakar Deshmukh

(74) *Attorney, Agent, or Firm* — The Webb Law Firm

(57) **CLAIM**

The ornamental design for a snooker, pool or billiards ball rack, as shown and described.

DESCRIPTION

FIG. 1 is a first perspective view of a snooker, pool or billiards ball rack in accordance with an embodiment of the present invention;

FIG. 2 is a second perspective view thereof;

FIG. 3 is a front view thereof;

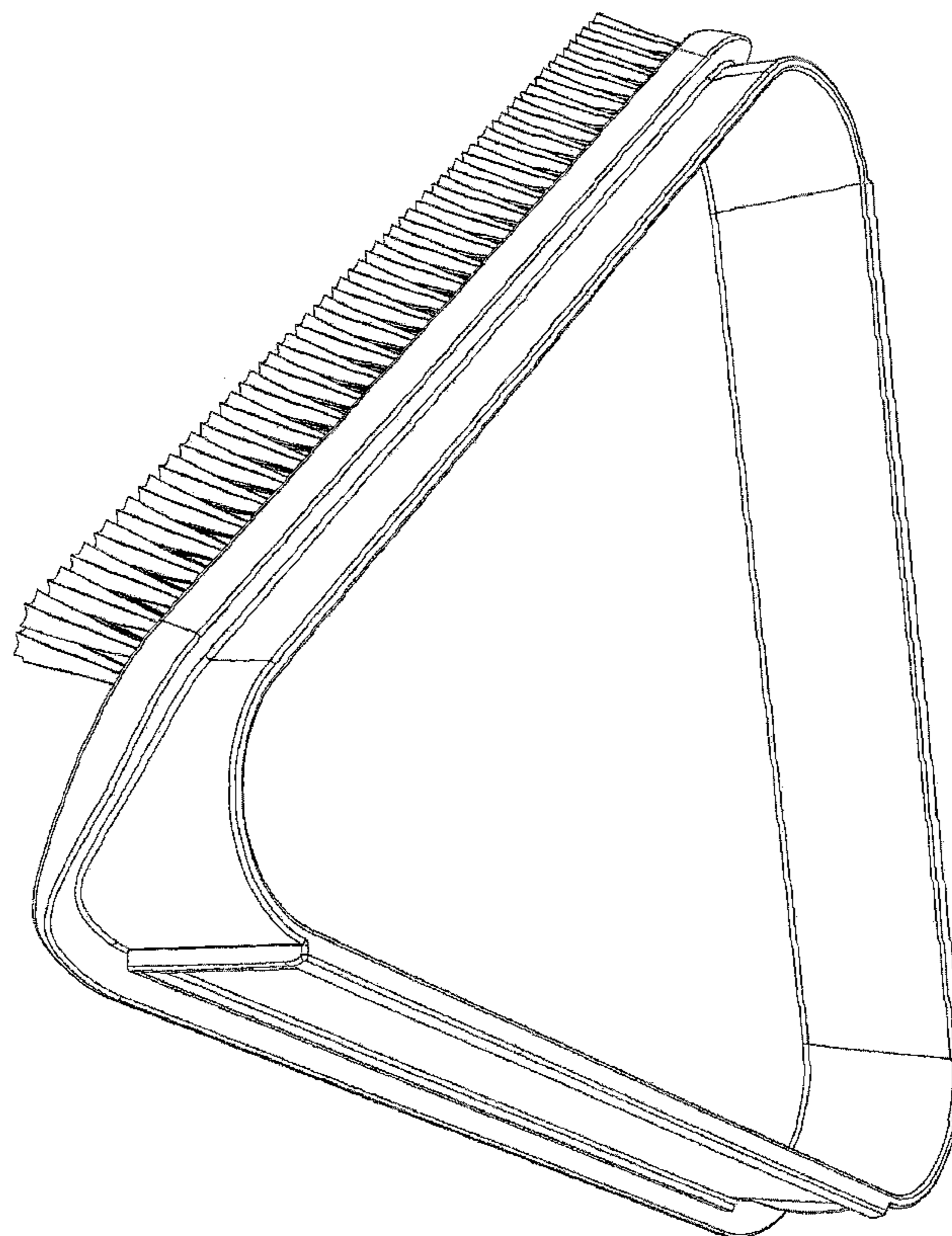
FIG. 4 is a rear view thereof;

FIG. 5 is a top view thereof;

FIG. 6 is a bottom view thereof; and,

FIG. 7 is a left side view thereof, the right side view being a mirror image thereof.

1 Claim, 7 Drawing Sheets



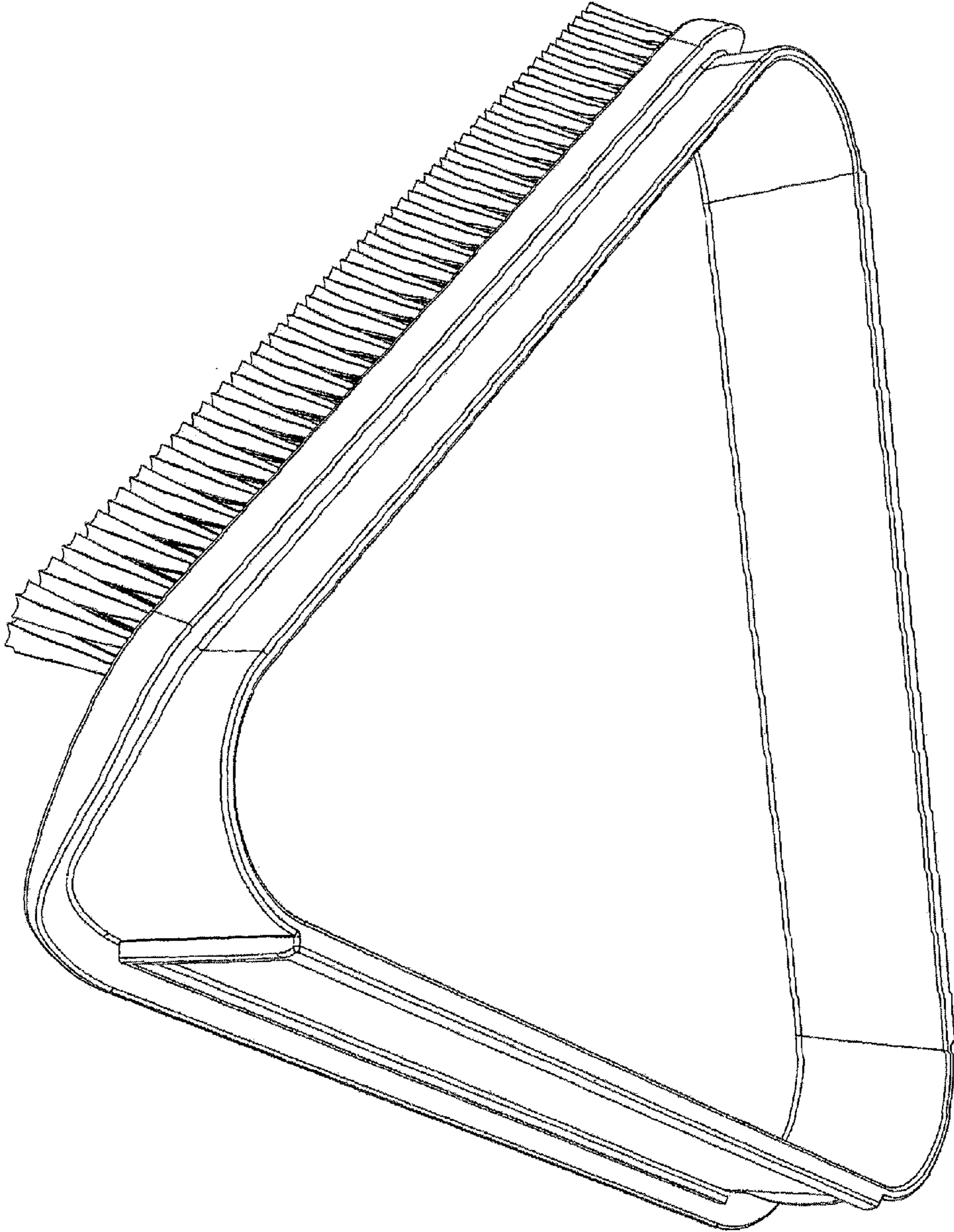


Fig. 1

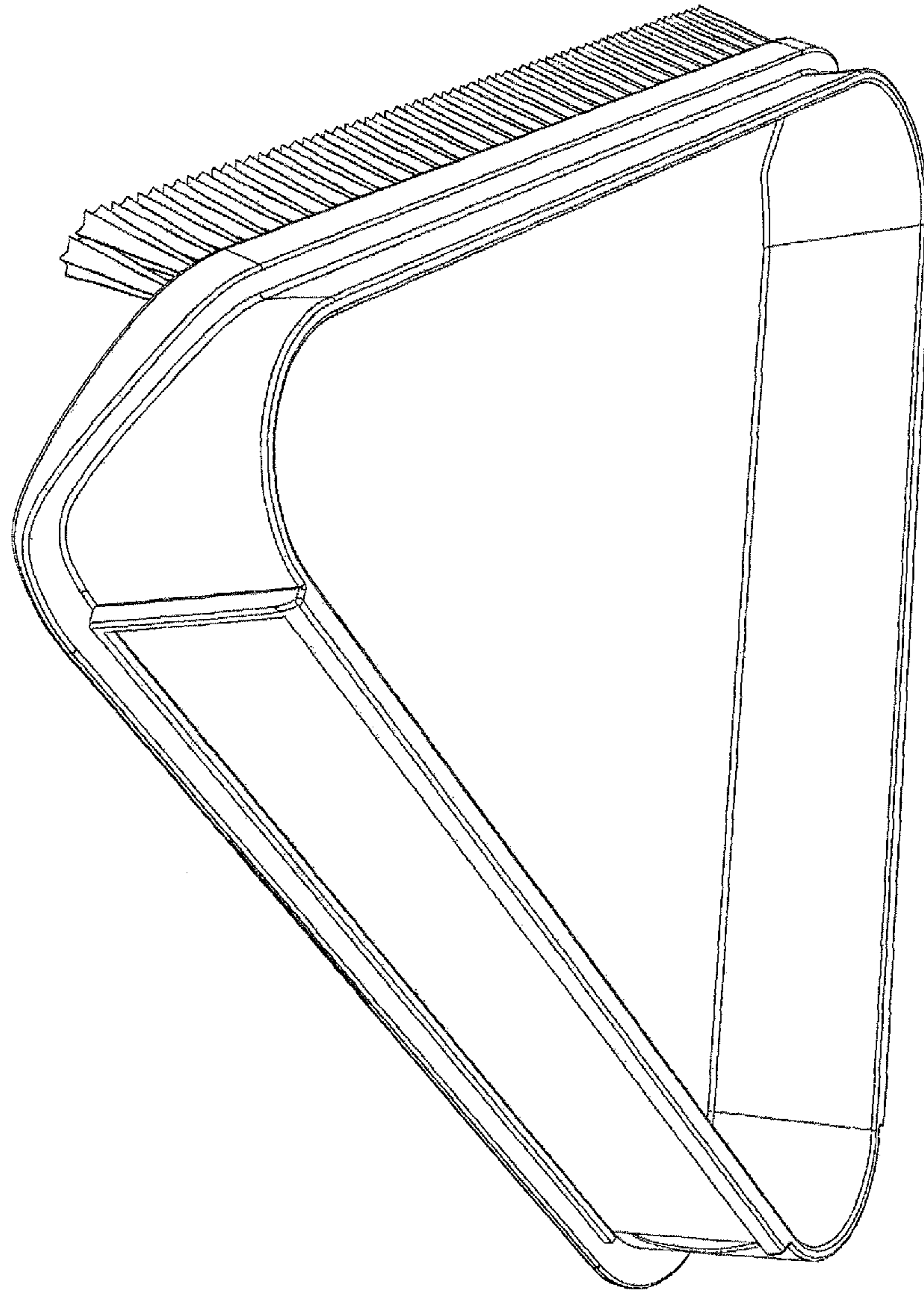


Fig. 2

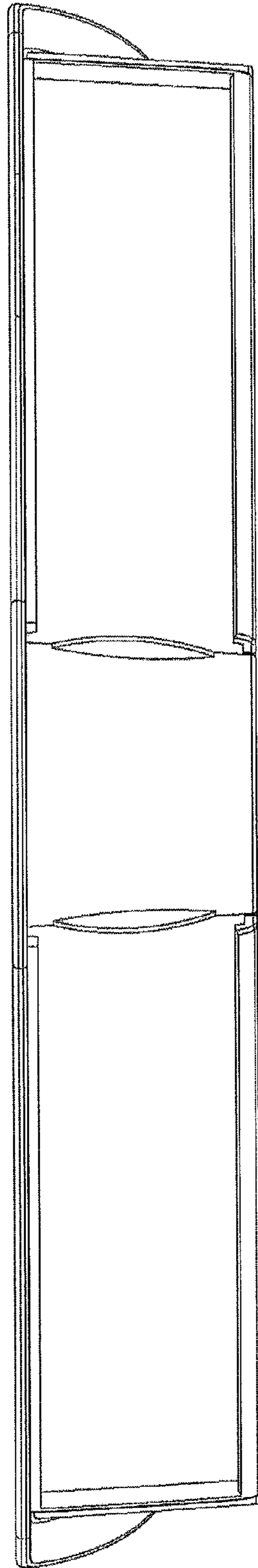


Fig. 3

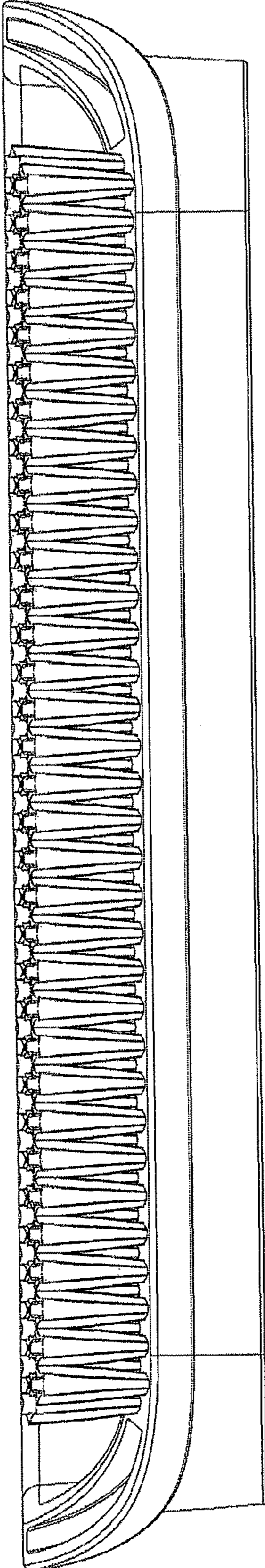


Fig. 4

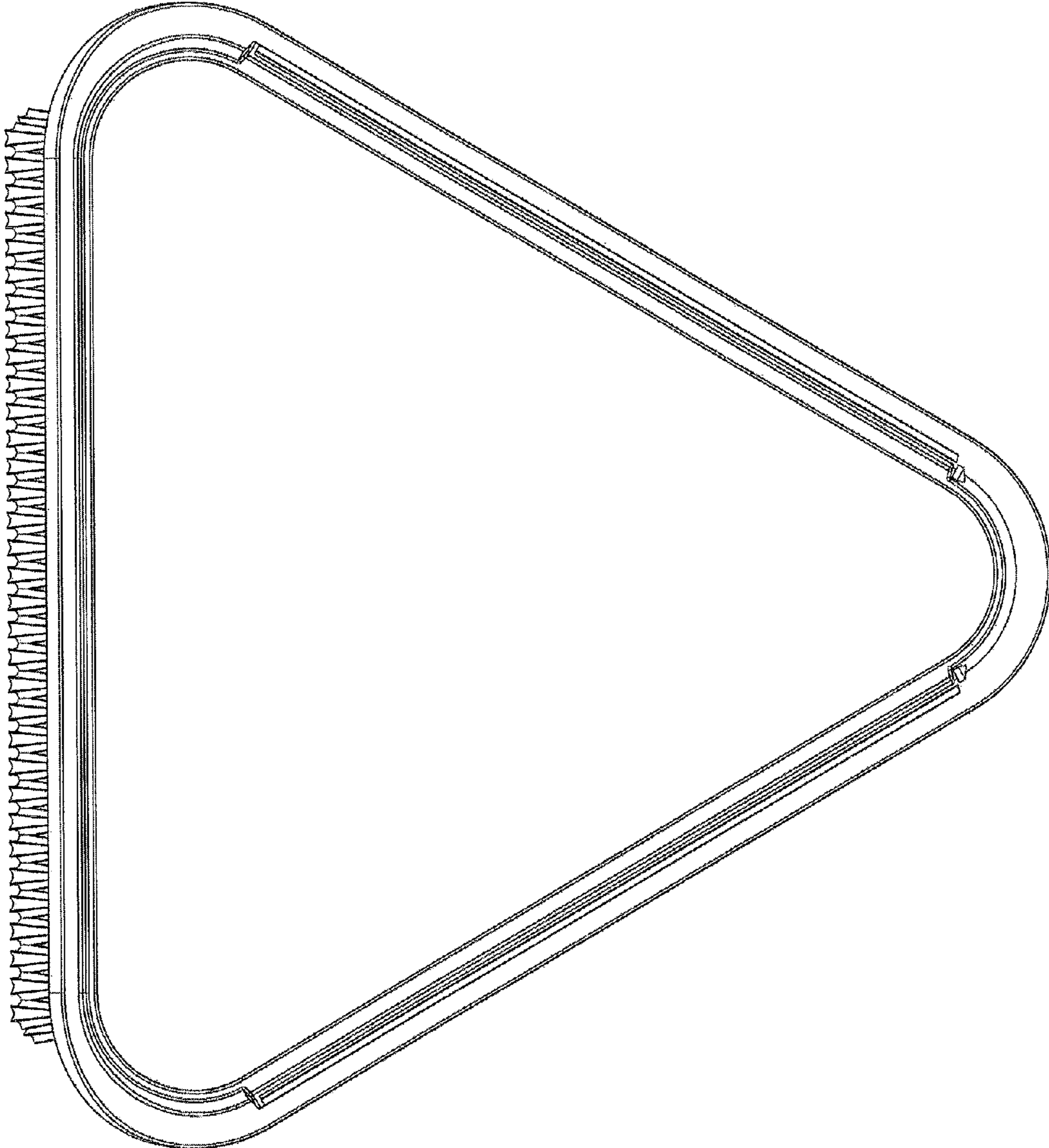


Fig. 5

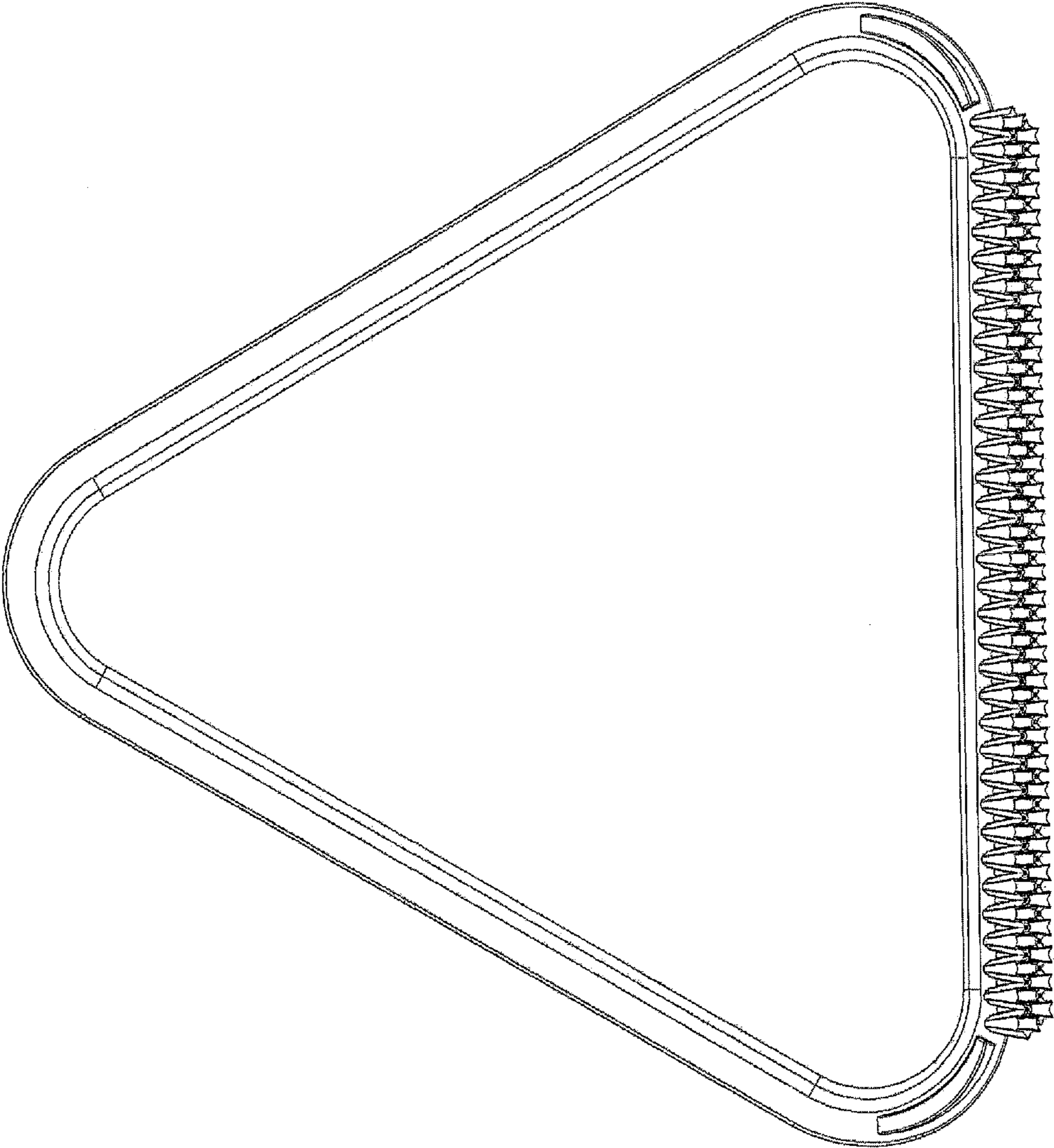


Fig. 6

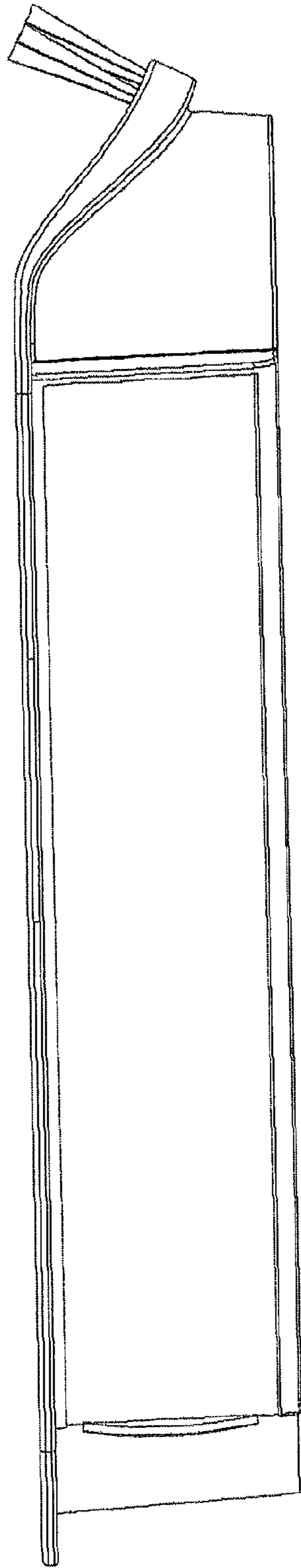


Fig. 7