



US00D643082S

(12) **United States Design Patent**
Ruggiero

(10) **Patent No.:** **US D643,082 S**

(45) **Date of Patent:** **** Aug. 9, 2011**

(54) **TELESCOPIC RETRIEVING POLE AND CADDY FOR A WASHER TOSSING TARGET GAME**

Primary Examiner — Prabhakar Deshmukh

(74) *Attorney, Agent, or Firm* — Charles I. Brodsky

(76) Inventor: **Daniel Ruggiero**, Point Pleasant, NJ (US)

(57) **CLAIM**

The ornamental design for a telescopic retrieving pole and caddy for a washer tossing target game, as shown and described.

(**) Term: **14 Years**

(21) Appl. No.: **29/349,376**

(22) Filed: **Mar. 29, 2010**

(51) **LOC (9) Cl.** **21-01**

(52) **U.S. Cl.** **D21/782**

(58) **Field of Classification Search** D21/300, D21/302, 303, 385, 316, 782; 273/317, 348, 273/365, 398-402, 407; 473/1, 44, 46
See application file for complete search history.

DESCRIPTION

FIG. 1 is a perspective view of a telescopic retrieving pole and caddy for a washer tossing target game showing my new design, shown in an extended position;

FIG. 2 is a front left perspective view thereof, shown in collapsed condition;

FIG. 3 is a rear left perspective view thereof, in collapsed condition;

FIG. 4 is a top plan view thereof, in collapsed condition;

FIG. 5 is a bottom plan view thereof, in collapsed condition;

FIG. 6 is a left side elevational view thereof, in collapsed condition;

FIG. 7 is a right side elevational view thereof, in collapsed condition;

FIG. 8 is a front elevational view thereof, in collapsed condition; and,

FIG. 9 is a rear elevational view thereof, in collapsed condition.

(56) **References Cited**

U.S. PATENT DOCUMENTS

3,740,034	A *	6/1973	Scroggins	473/48
D263,411	S *	3/1982	Davis	D21/782
4,718,671	A *	1/1988	Desmond et al.	473/48
4,907,799	A *	3/1990	Danner et al.	473/42
5,062,636	A *	11/1991	Rahn	473/46
5,782,693	A *	7/1998	Jordan et al.	473/48
6,183,371	B1 *	2/2001	Wethered	473/46
6,712,712	B2 *	3/2004	Bourque	473/46
D618,286	S *	6/2010	Henderson	D21/328
7,740,543	B2 *	6/2010	Johne	473/45
D635,637	S *	4/2011	Pekin et al.	D22/138

* cited by examiner

1 Claim, 8 Drawing Sheets

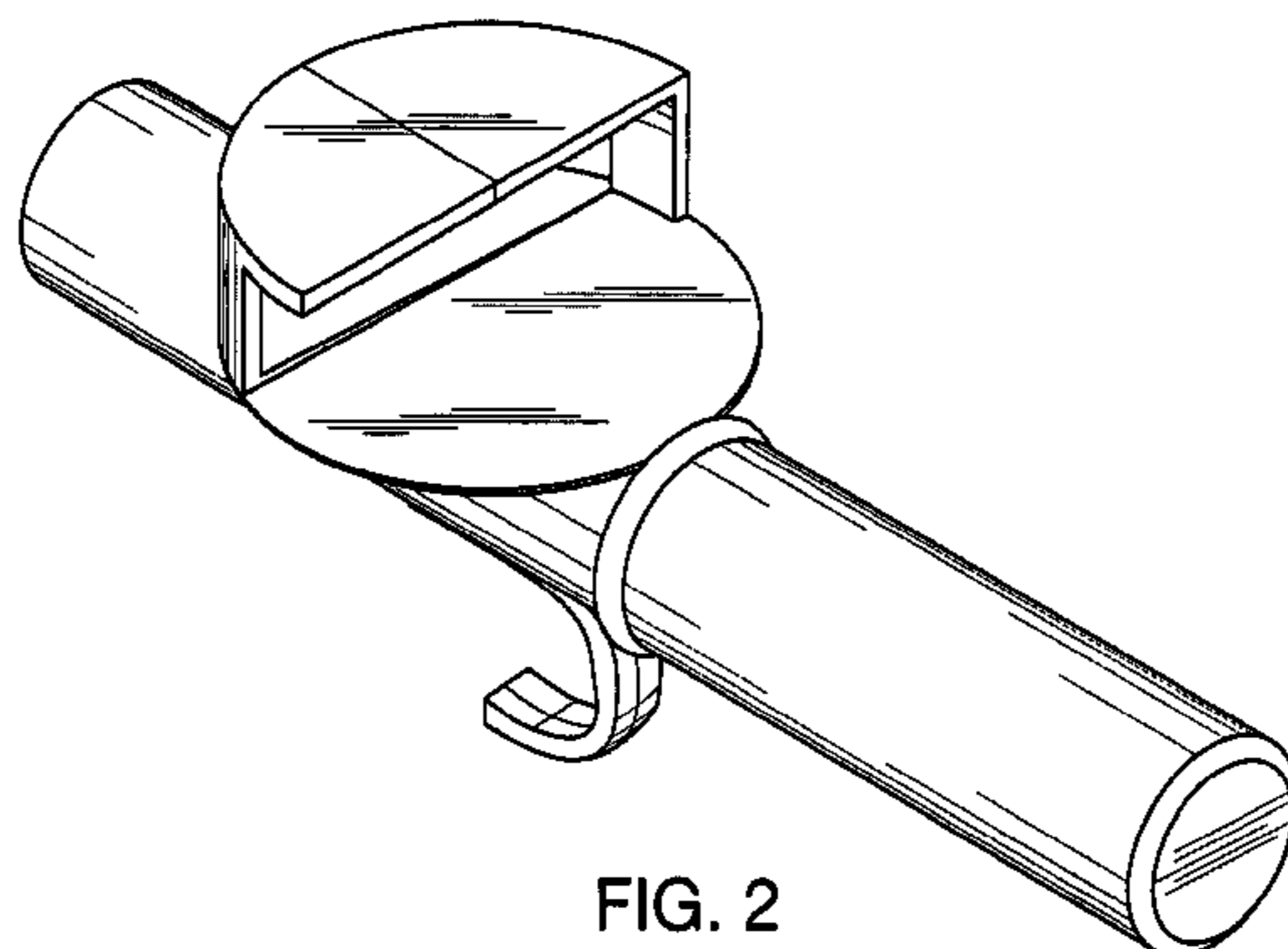
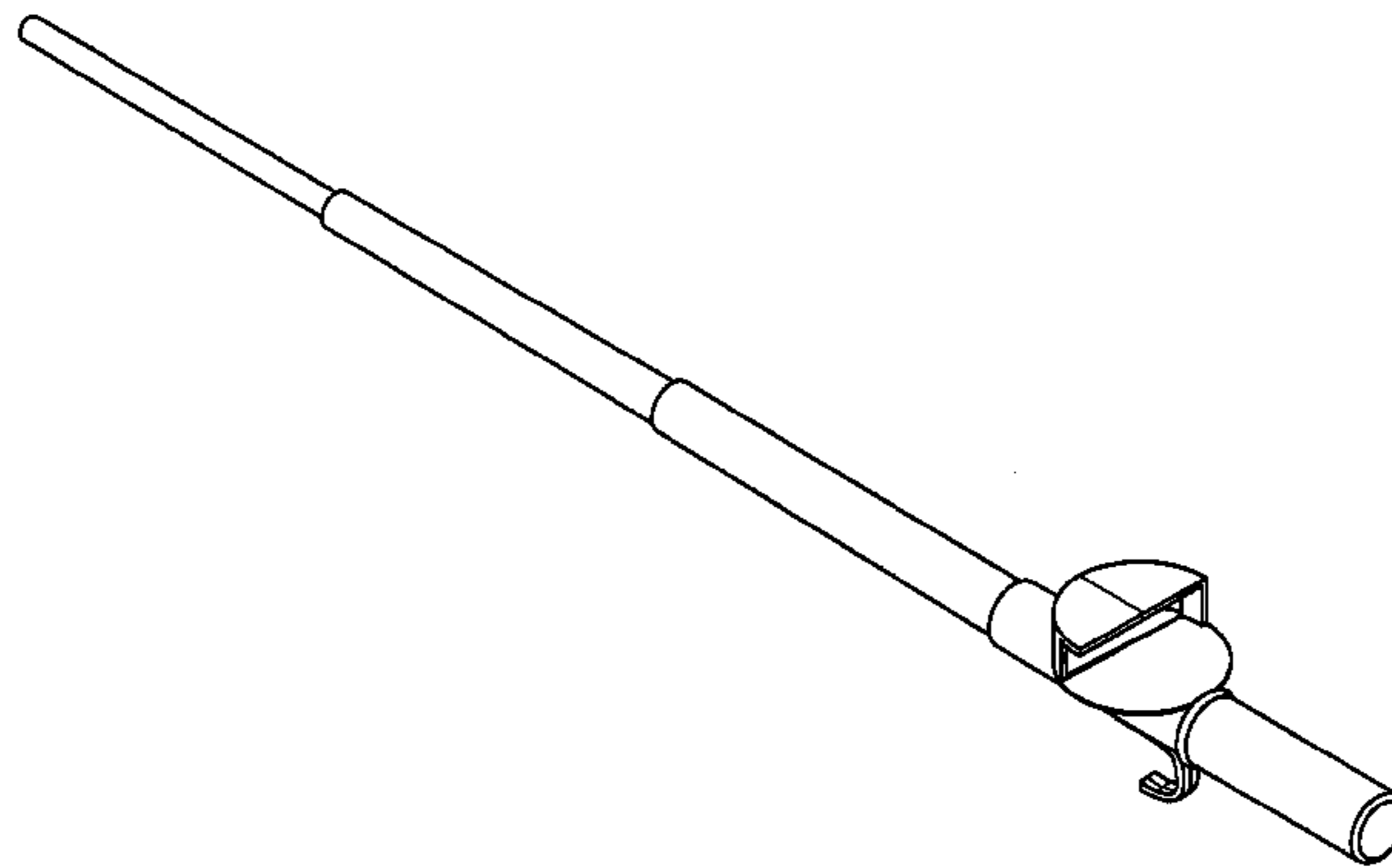


FIG. 2

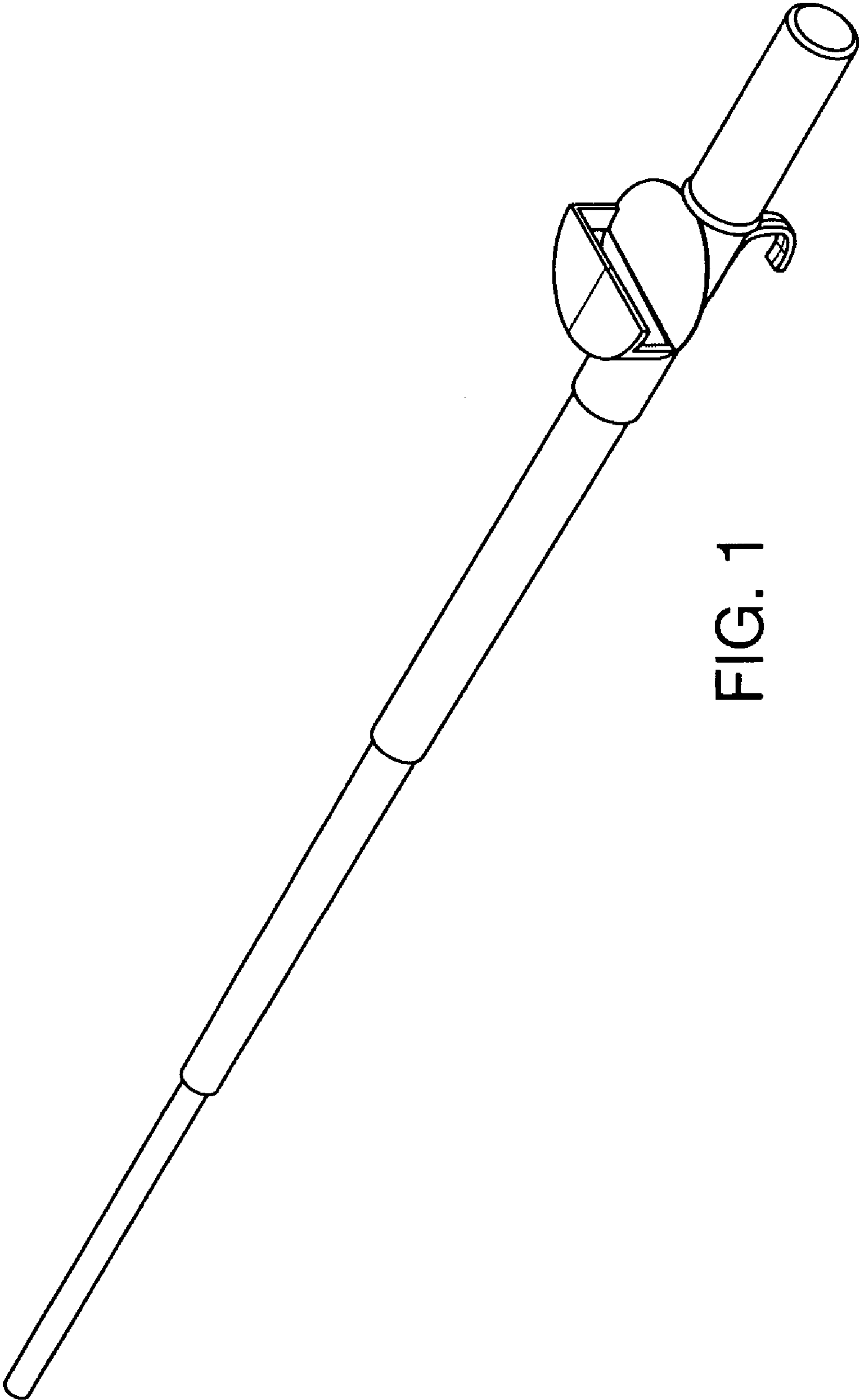


FIG. 1

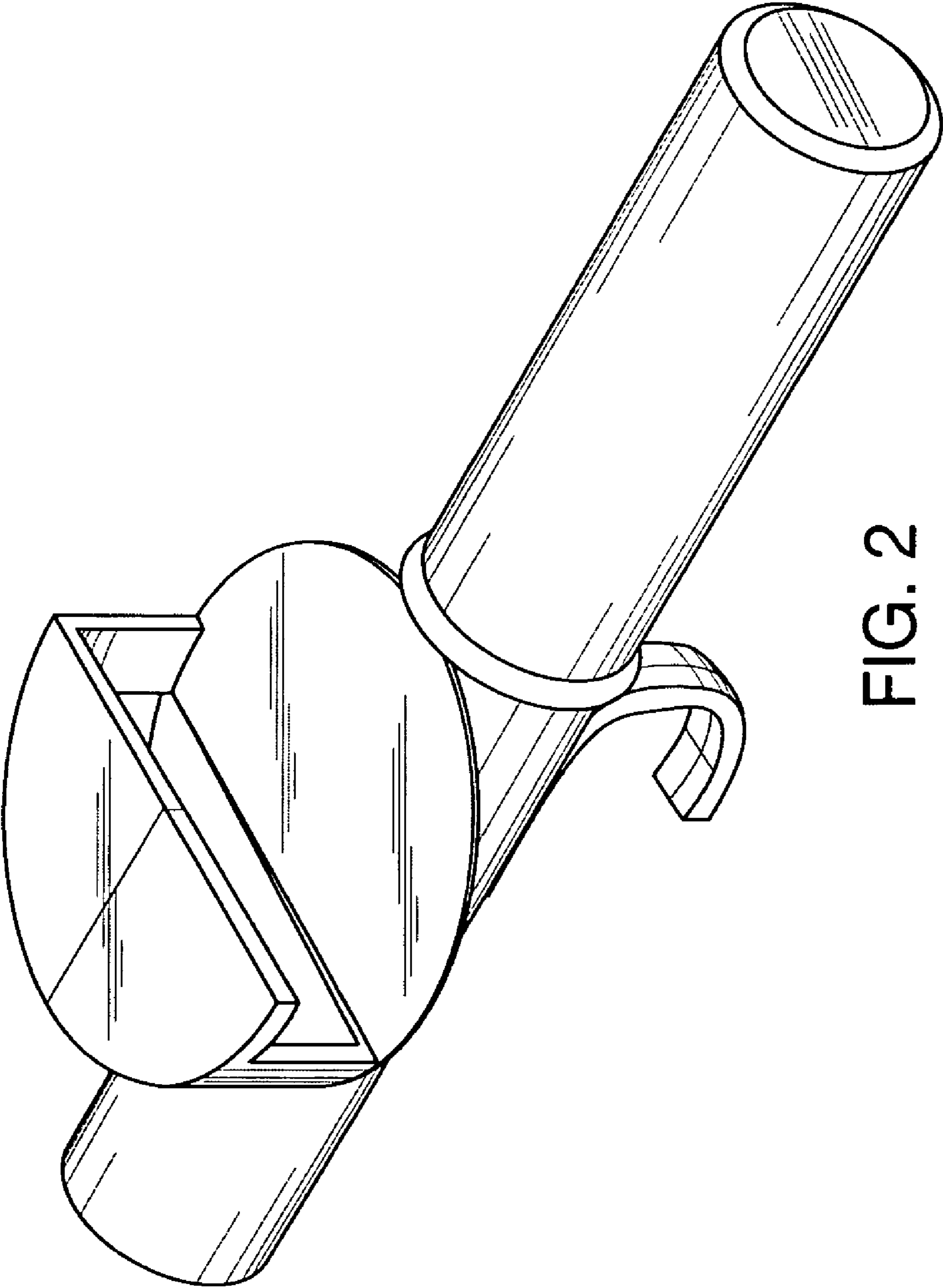


FIG. 2

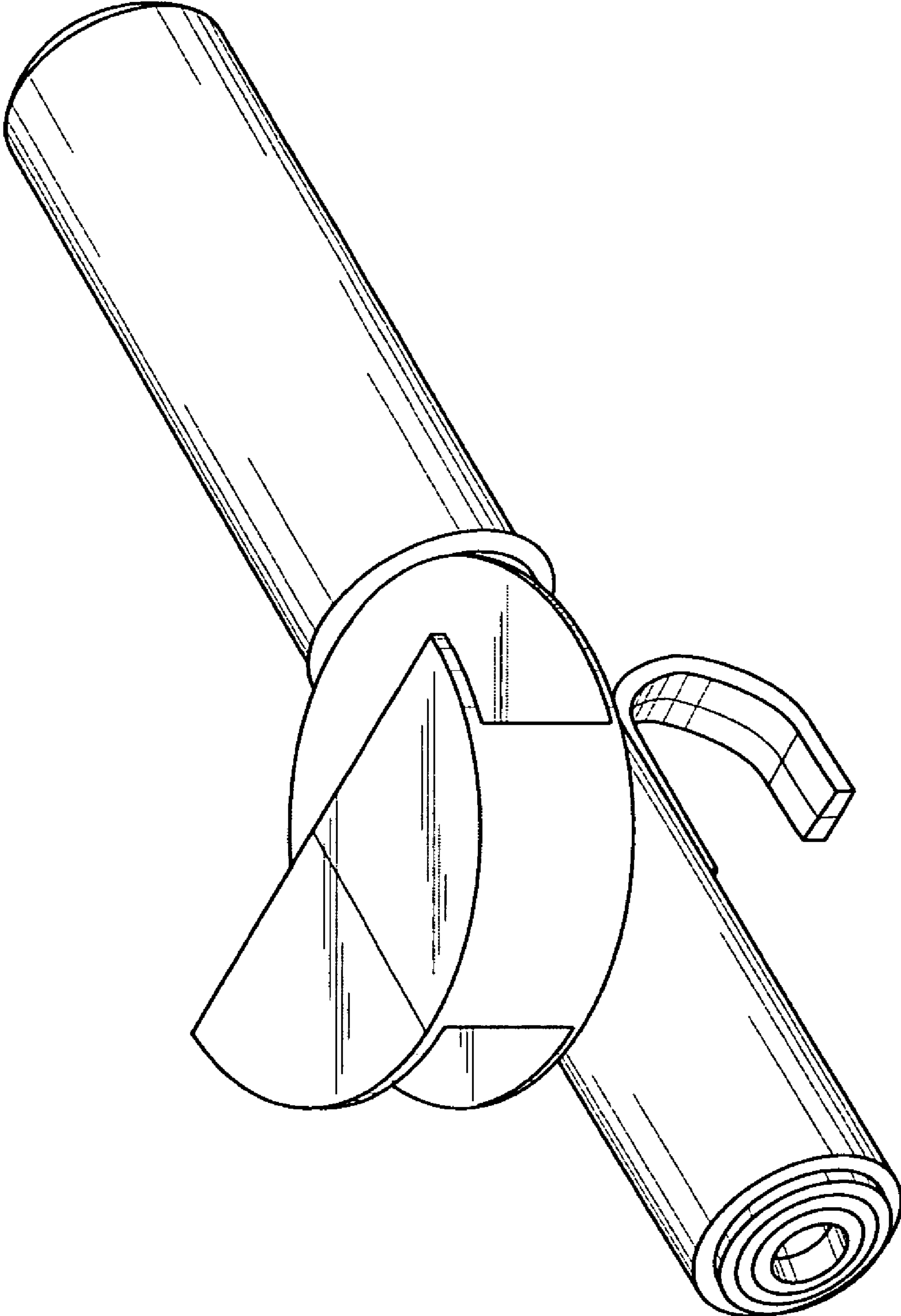


FIG. 3

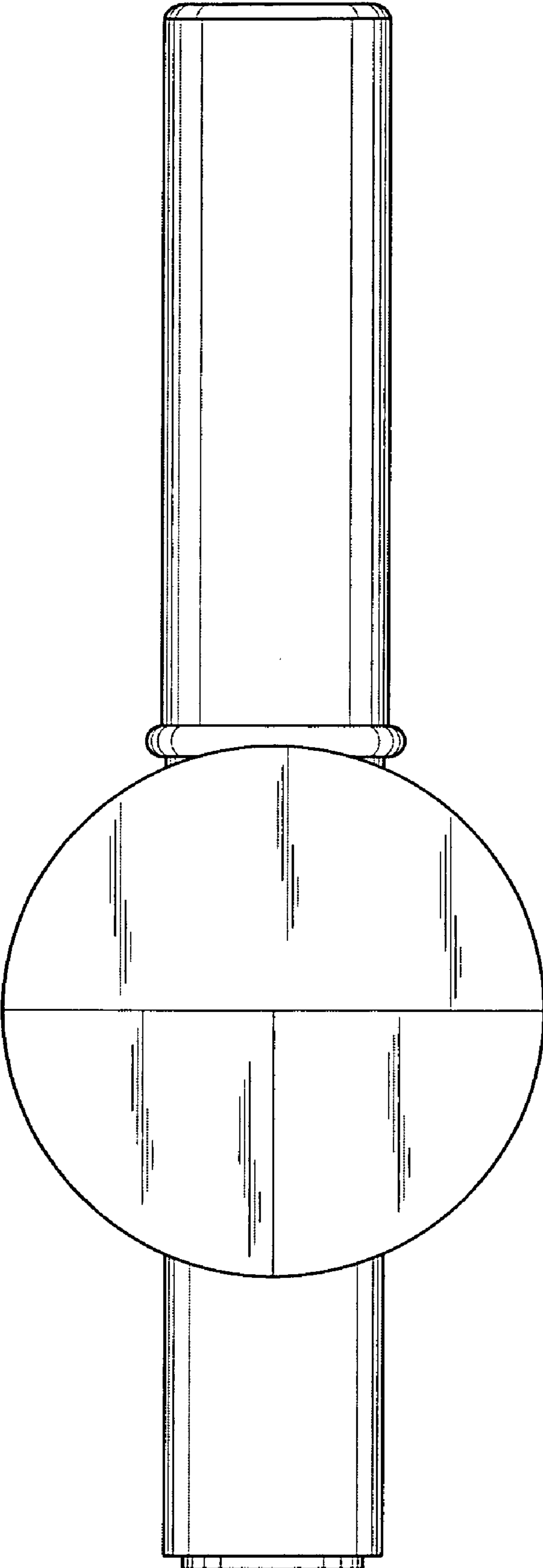


FIG. 4

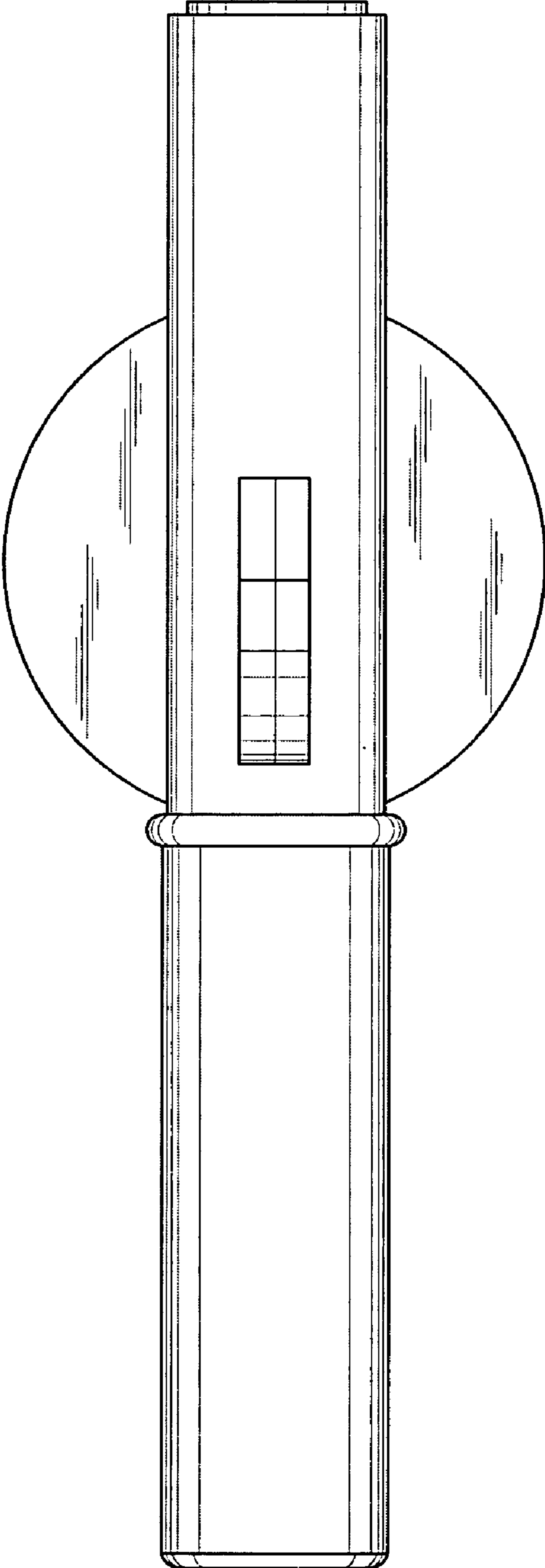


FIG. 5

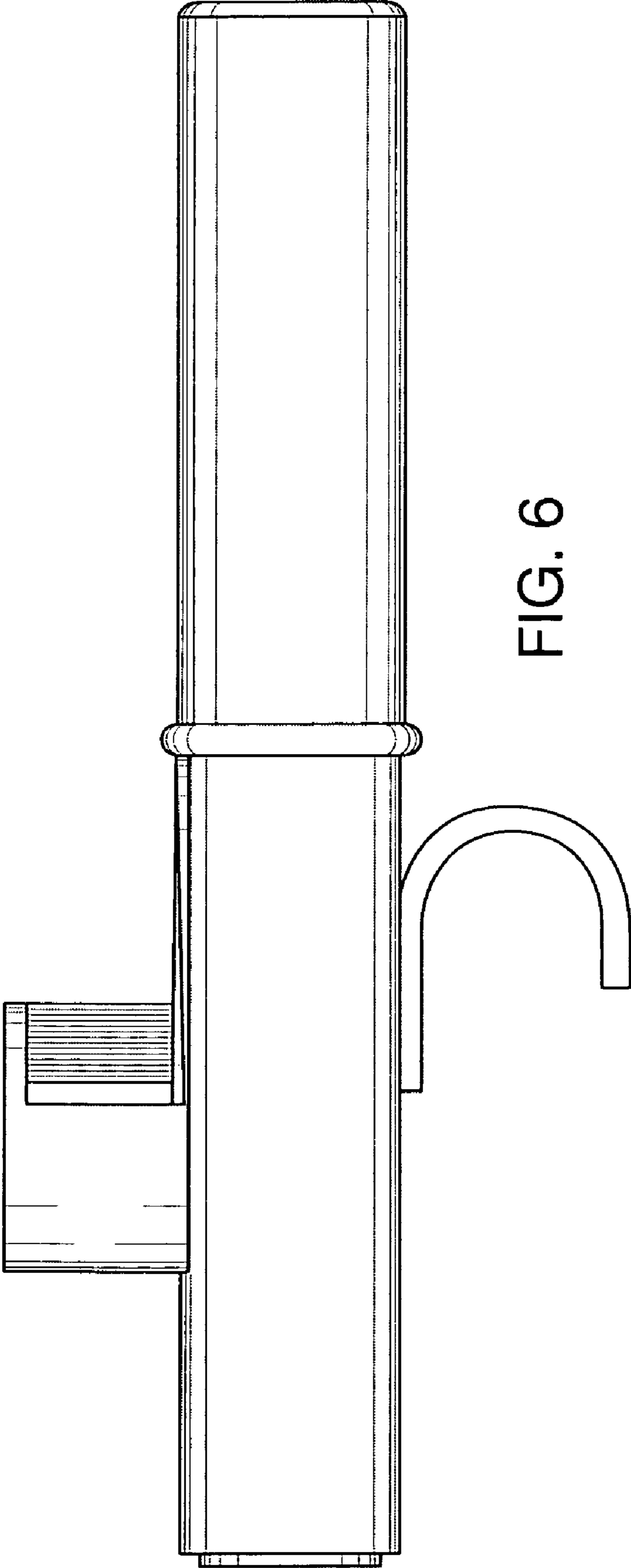


FIG. 6

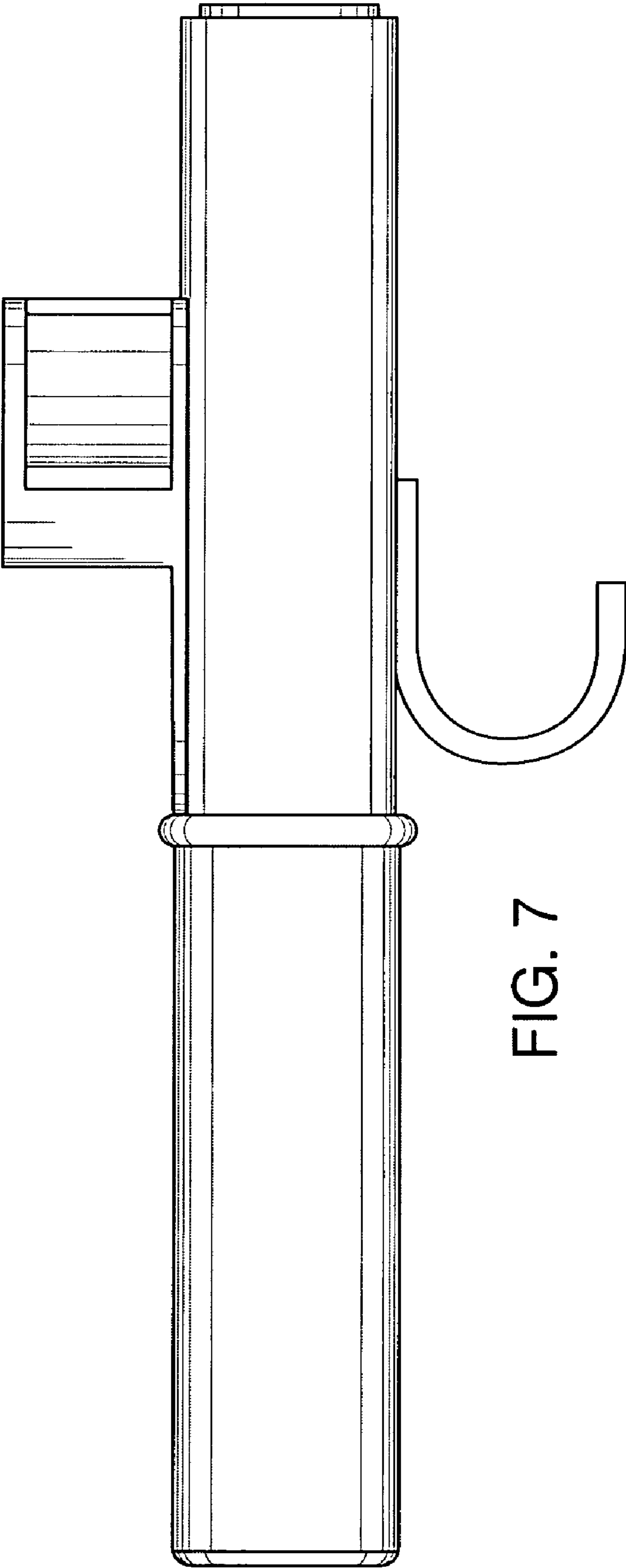


FIG. 7

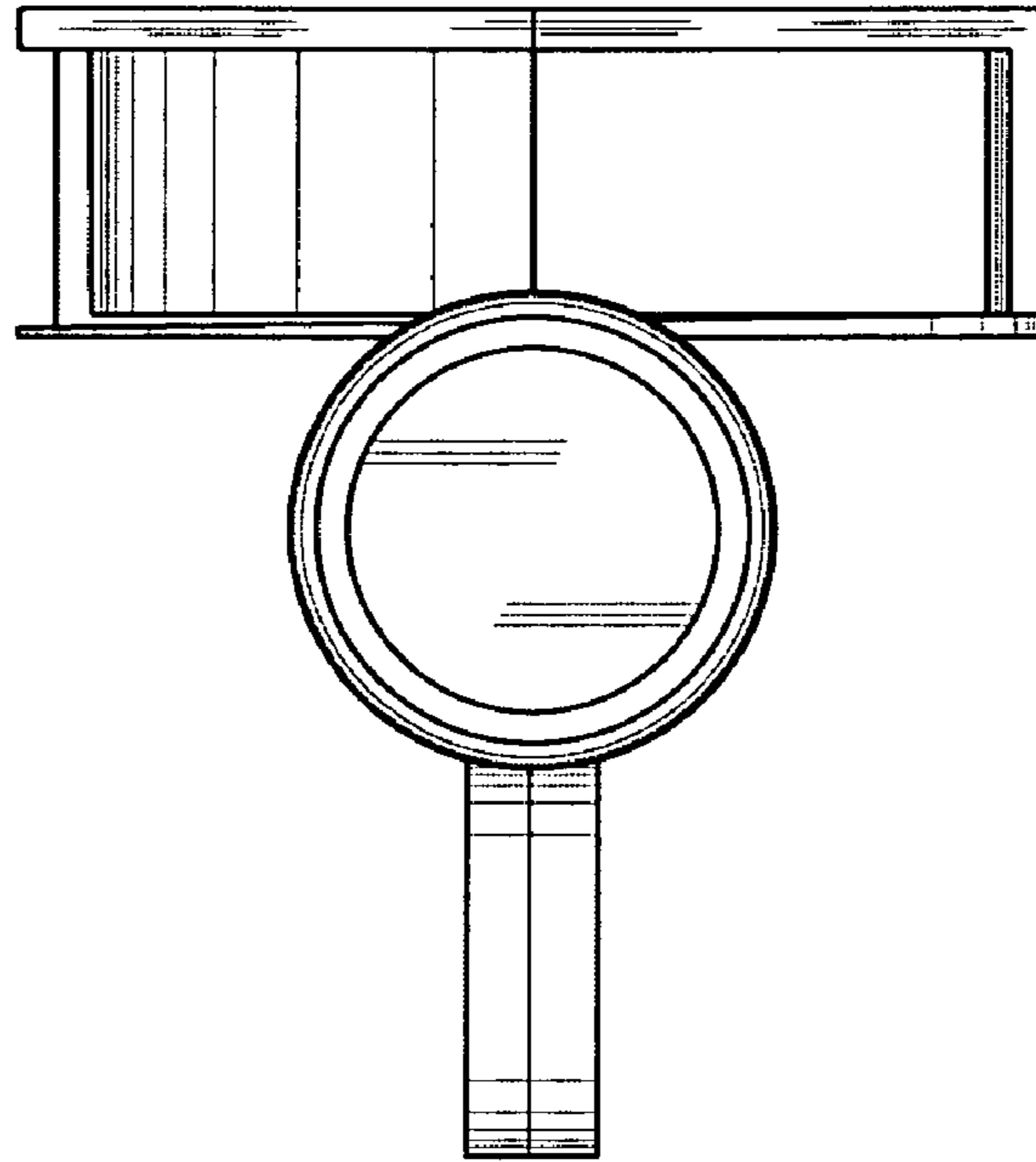


FIG. 8

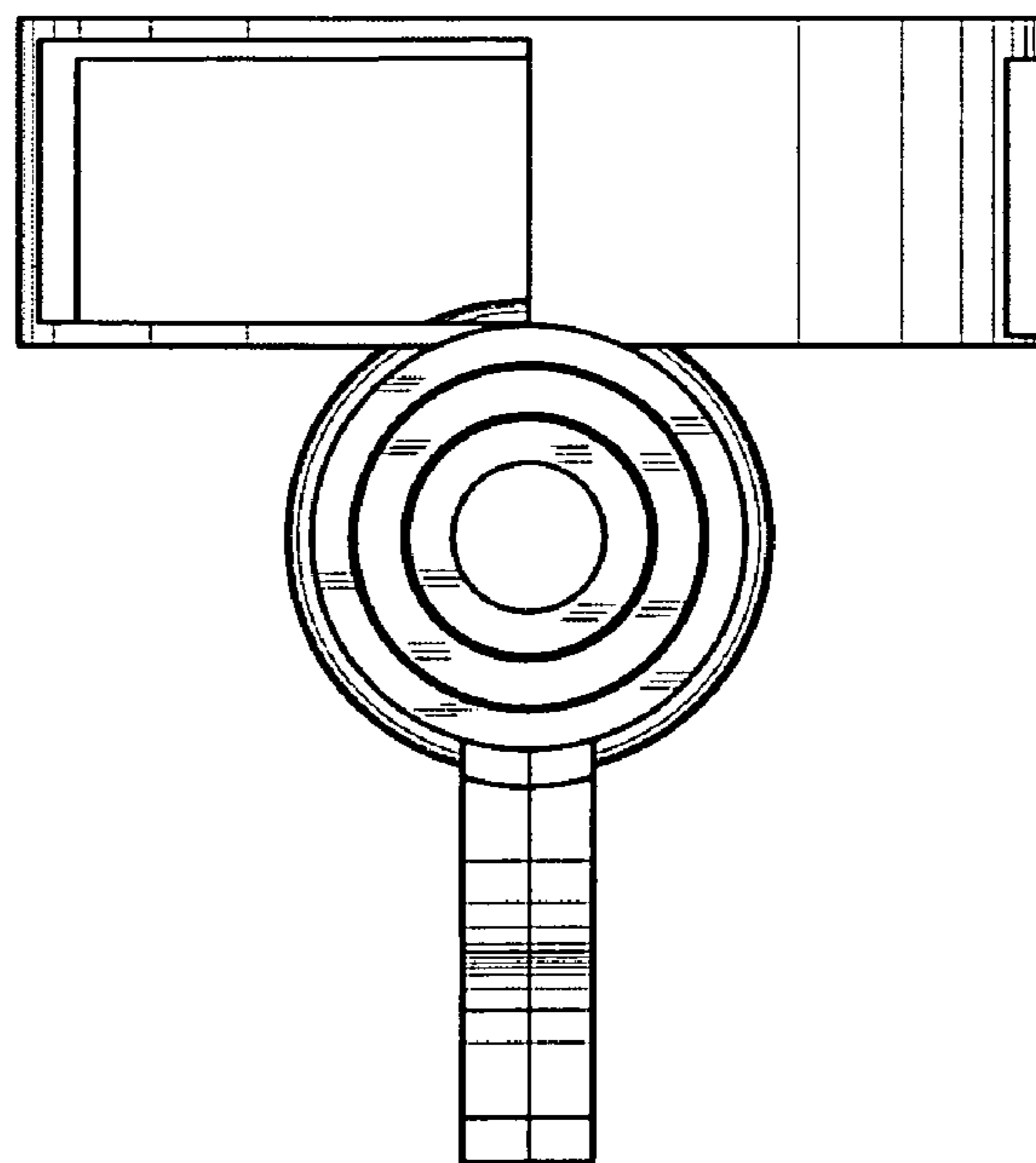


FIG. 9