



US00D643081S

(12) **United States Design Patent**
Roach et al.

(10) **Patent No.:** **US D643,081 S**

(45) **Date of Patent:** **** *Aug. 9, 2011**

(54) **GOLF CLUB HEAD**

(75) Inventors: **Ryan L. Roach**, Carlsbad, CA (US);
Joshua G. Breier, Vista, CA (US);
Douglas E. Roberts, Carlsbad, CA (US);
Thomas C. Morris, Carlsbad, CA (US);
Thomas W. Preece, San Diego, CA
(US); **John Wooster**, Winnetka, IL (US)

(73) Assignee: **Cobra Golf Incorporated**, Carlsbad,
CA (US)

(*) Notice: This patent is subject to a terminal dis-
claimer.

(**) Term: **14 Years**

(21) Appl. No.: **29/366,310**

(22) Filed: **Jul. 22, 2010**

(51) **LOC (9) Cl.** **21-02**

(52) **U.S. Cl.** **D21/759**

(58) **Field of Classification Search** D21/747-751,
D21/759; 473/324-331, 350
See application file for complete search history.

(56) **References Cited**

U.S. PATENT DOCUMENTS

5,356,138	A	10/1994	Chen et al.	
D387,113	S *	12/1997	Burrows	D21/748
D406,294	S *	3/1999	Burrows	D21/748
D411,272	S *	6/1999	Burrows	D21/748
D429,298	S *	8/2000	Butler	D21/747
D528,620	S *	9/2006	Kohno	D21/759
D539,862	S *	4/2007	Nunez et al.	D21/748
D553,699	S *	10/2007	Nunez et al.	D21/747

D554,212	S *	10/2007	Nunez et al.	D21/747
7,351,164	B2	4/2008	Schweigert et al.	
D593,627	S *	6/2009	Kim et al.	D21/747

* cited by examiner

Primary Examiner — Mitchell Siegel

(74) *Attorney, Agent, or Firm* — Knobbe Martens Olson &
Bear, LLP

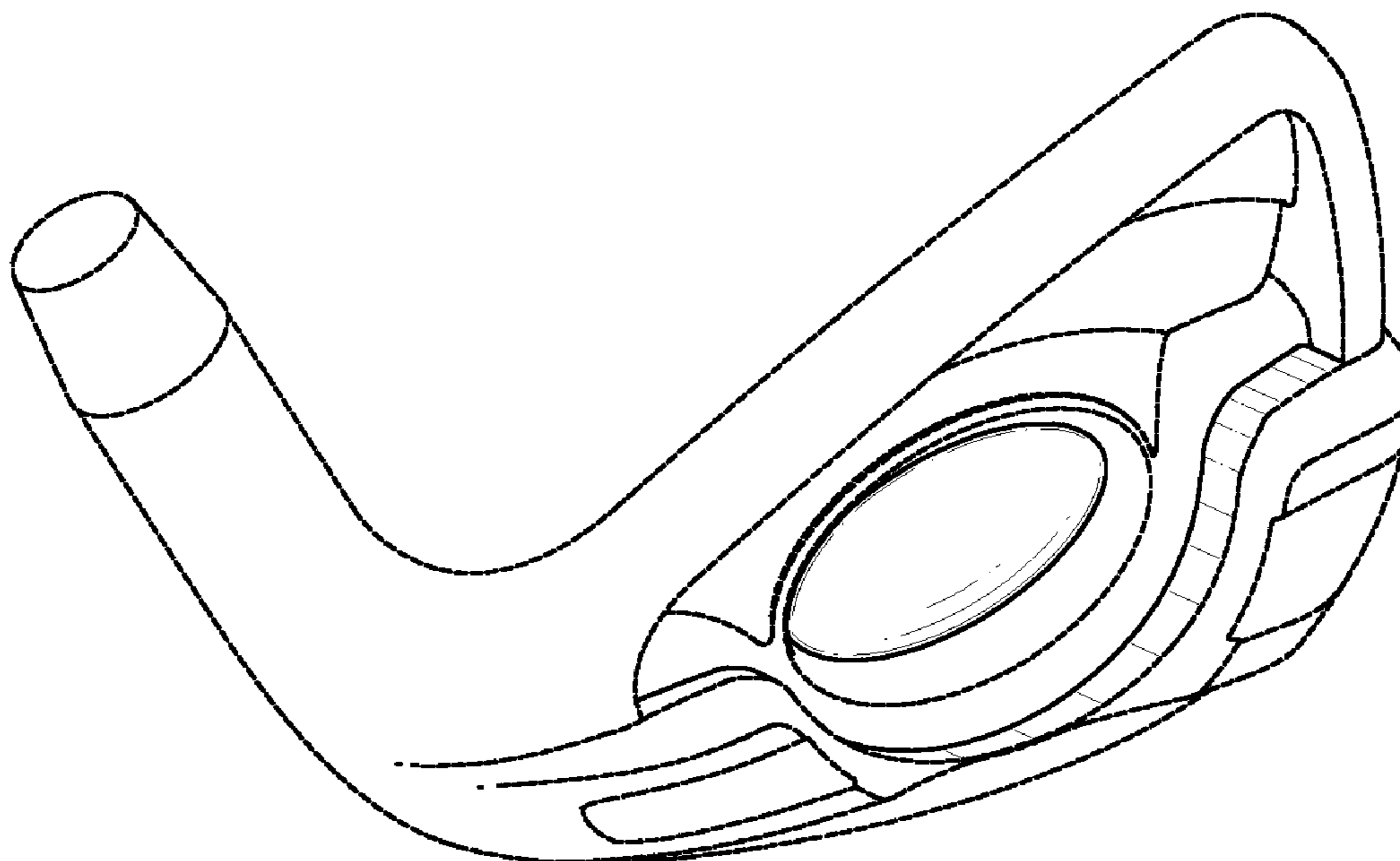
(57) **CLAIM**

The ornamental design for a golf club head, as shown and
described.

DESCRIPTION

FIG. 1 is a first perspective view of an embodiment of a golf club head according to the present design;
FIG. 2 is a second perspective view of the embodiment of FIG. 1;
FIG. 3 is a back elevational view of the embodiment of FIG. 1;
FIG. 4 is a first perspective view of a second embodiment of a golf club head according to the present design;
FIG. 5 is a second perspective view of the embodiment of FIG. 4;
FIG. 6 is a back elevational view of the embodiment of FIG. 4;
FIG. 7 is a first perspective view of a third embodiment of a golf club head according to the present design;
FIG. 8 is a second perspective view of the embodiment of FIG. 7; and,
FIG. 9 is a back elevational view of the embodiment of FIG. 7.
Phantom lining, where utilized, is for illustrative purposes only and forms no part of the claimed design.

1 Claim, 6 Drawing Sheets



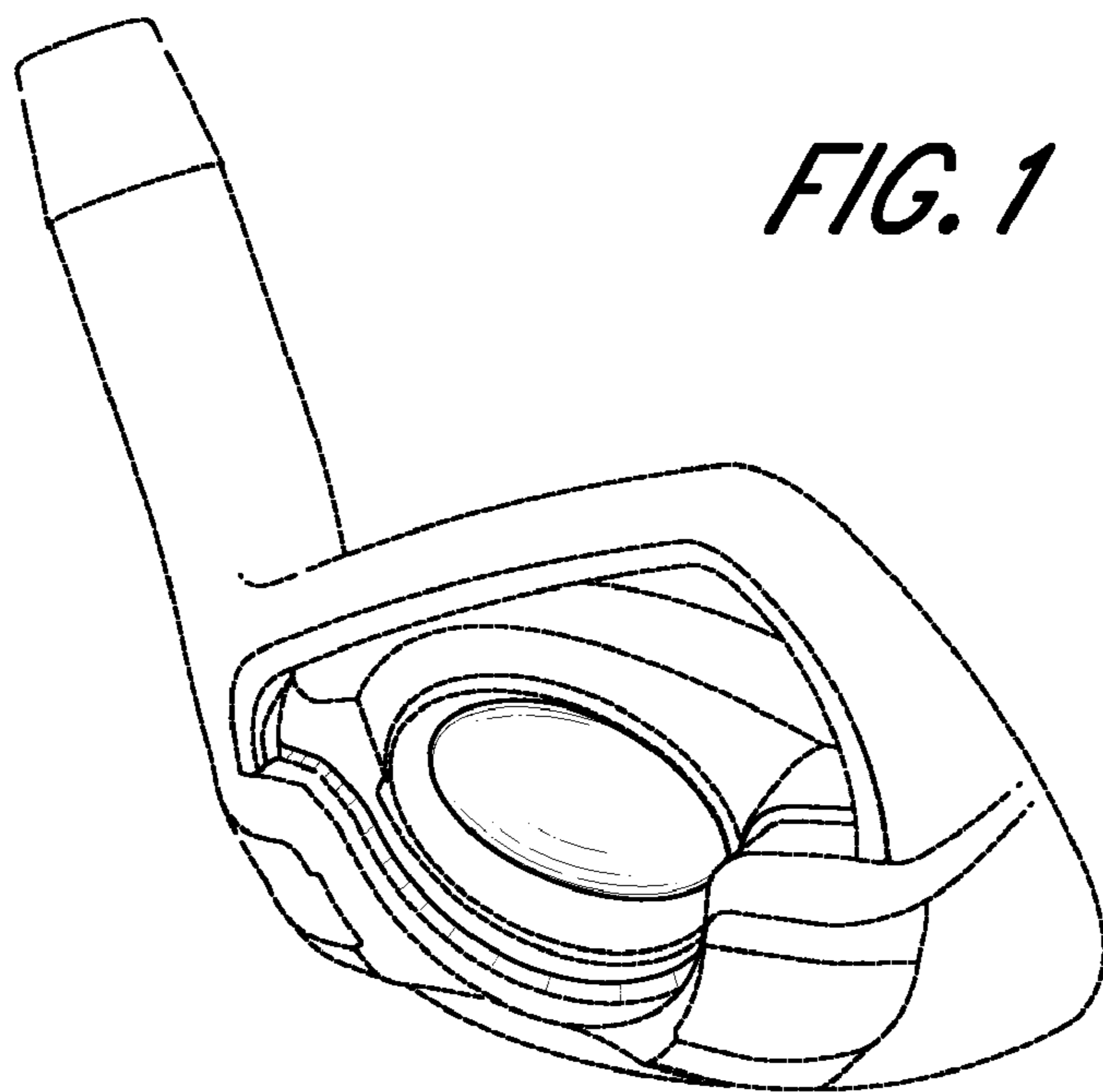


FIG. 1

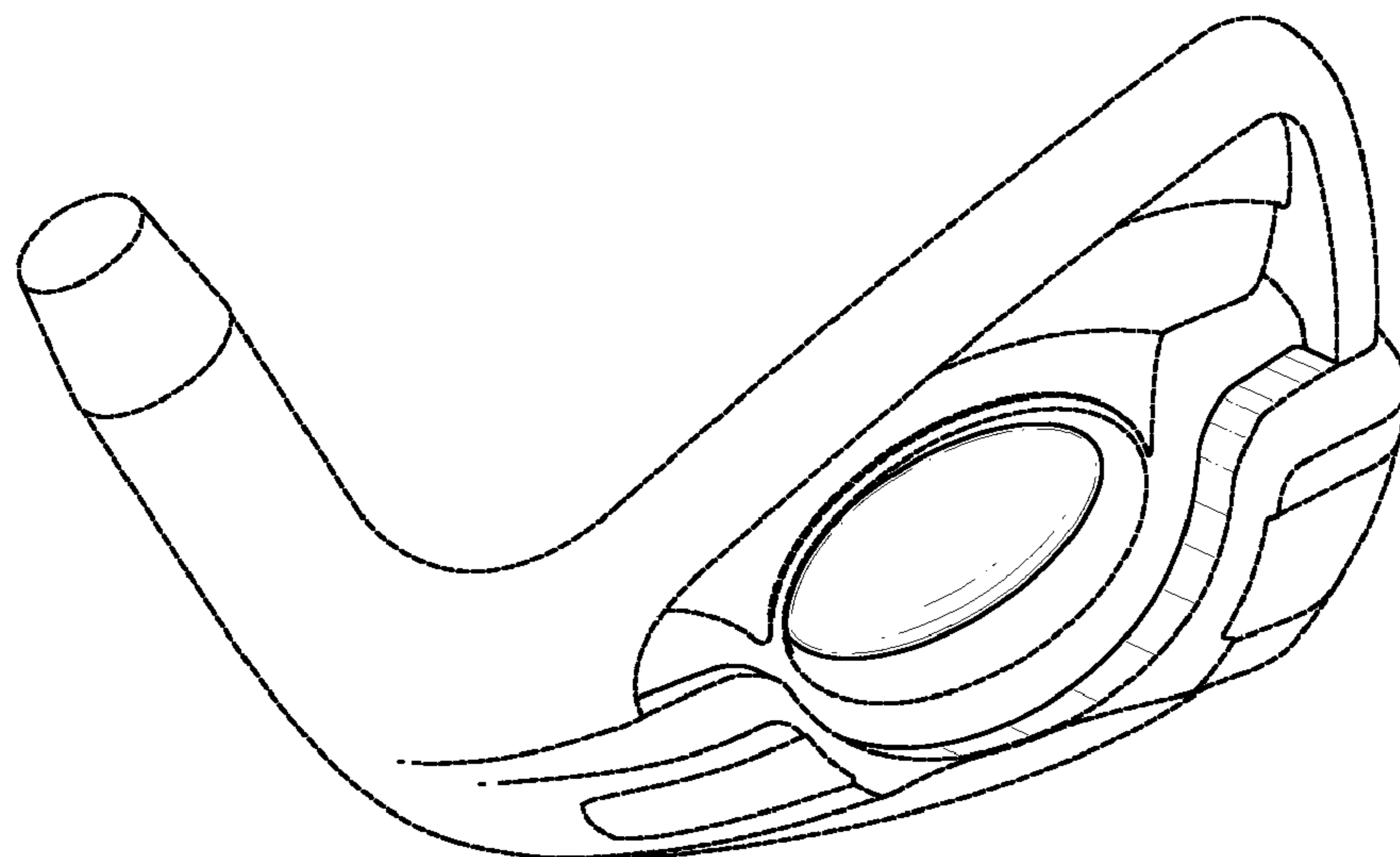


FIG. 2

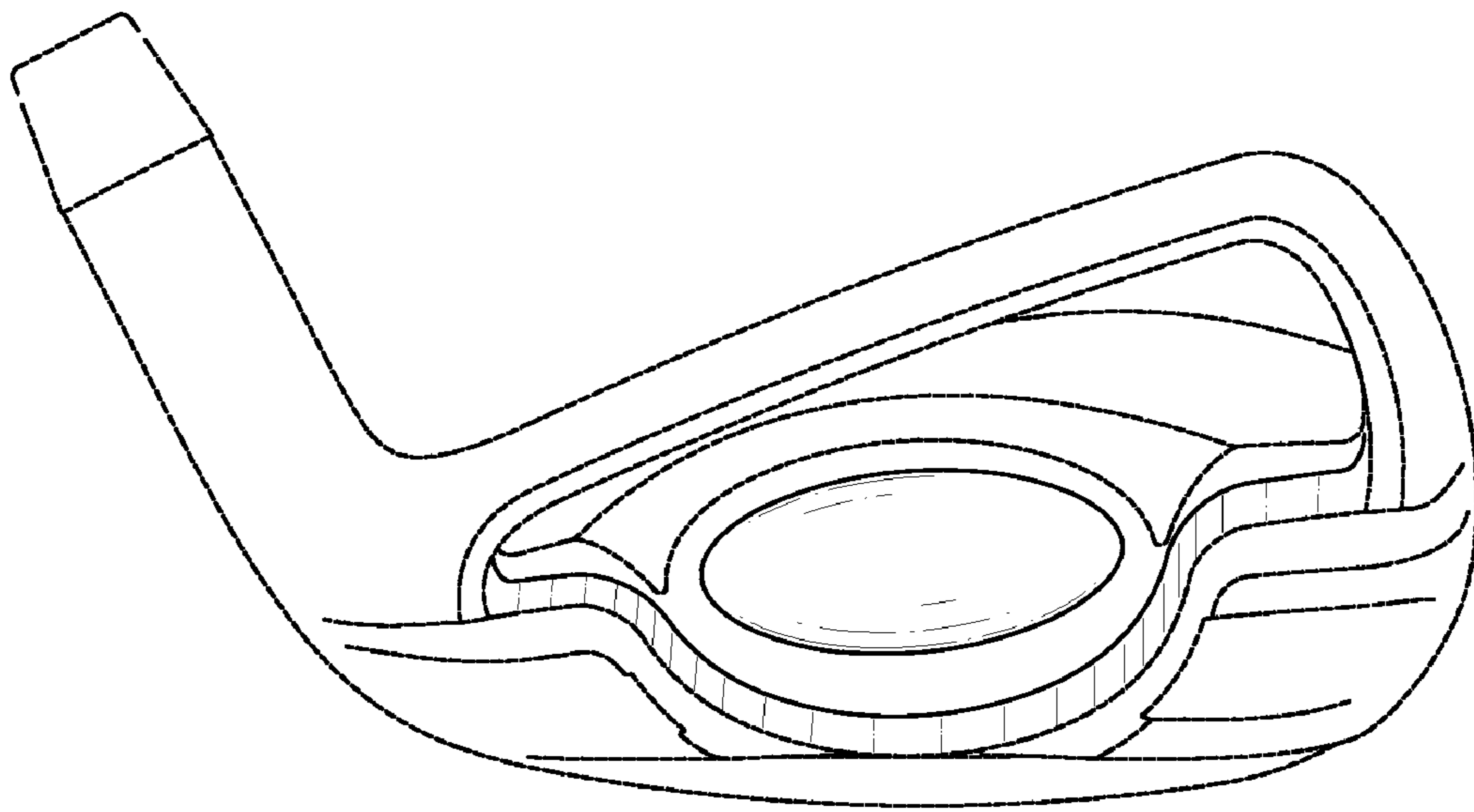
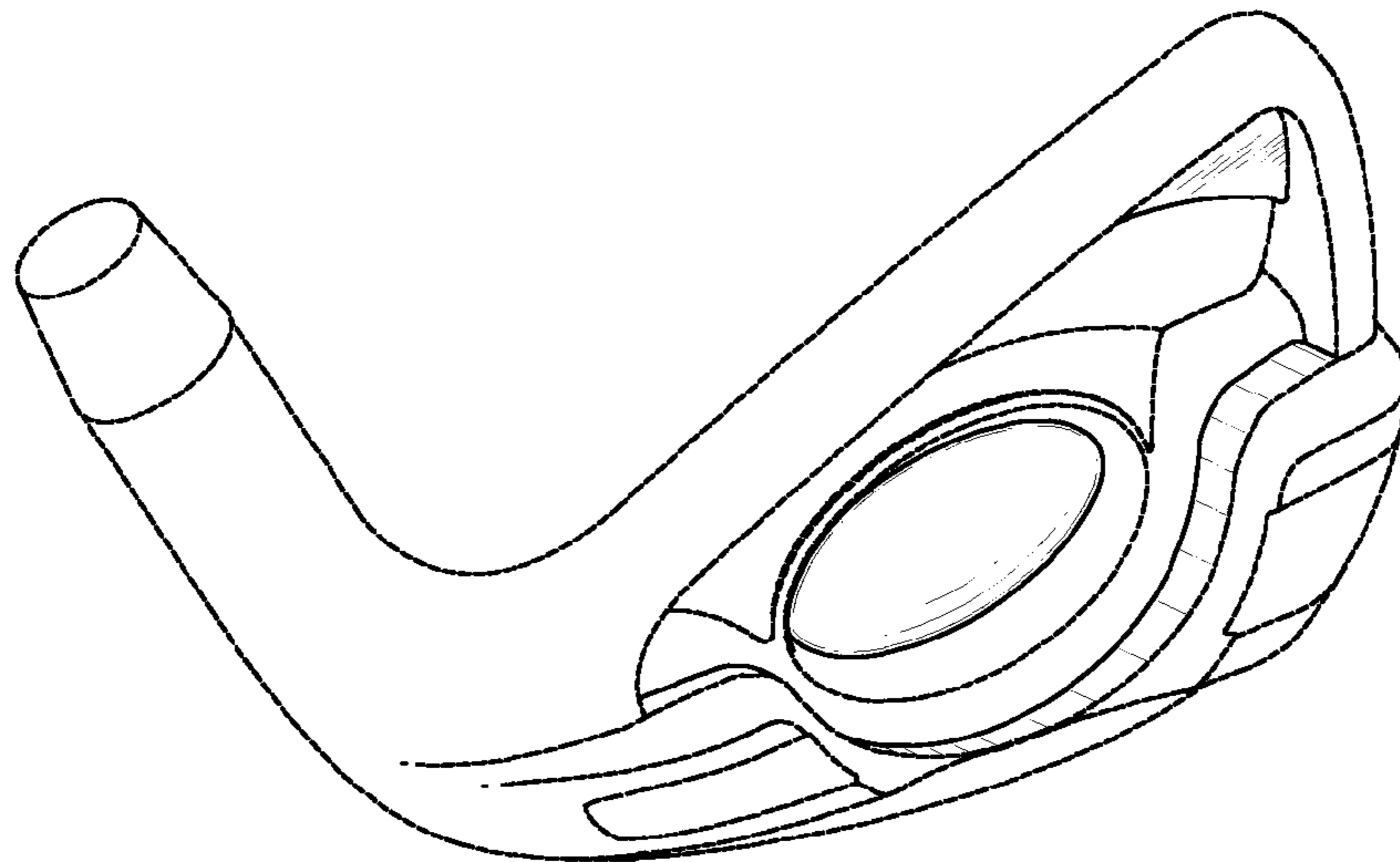
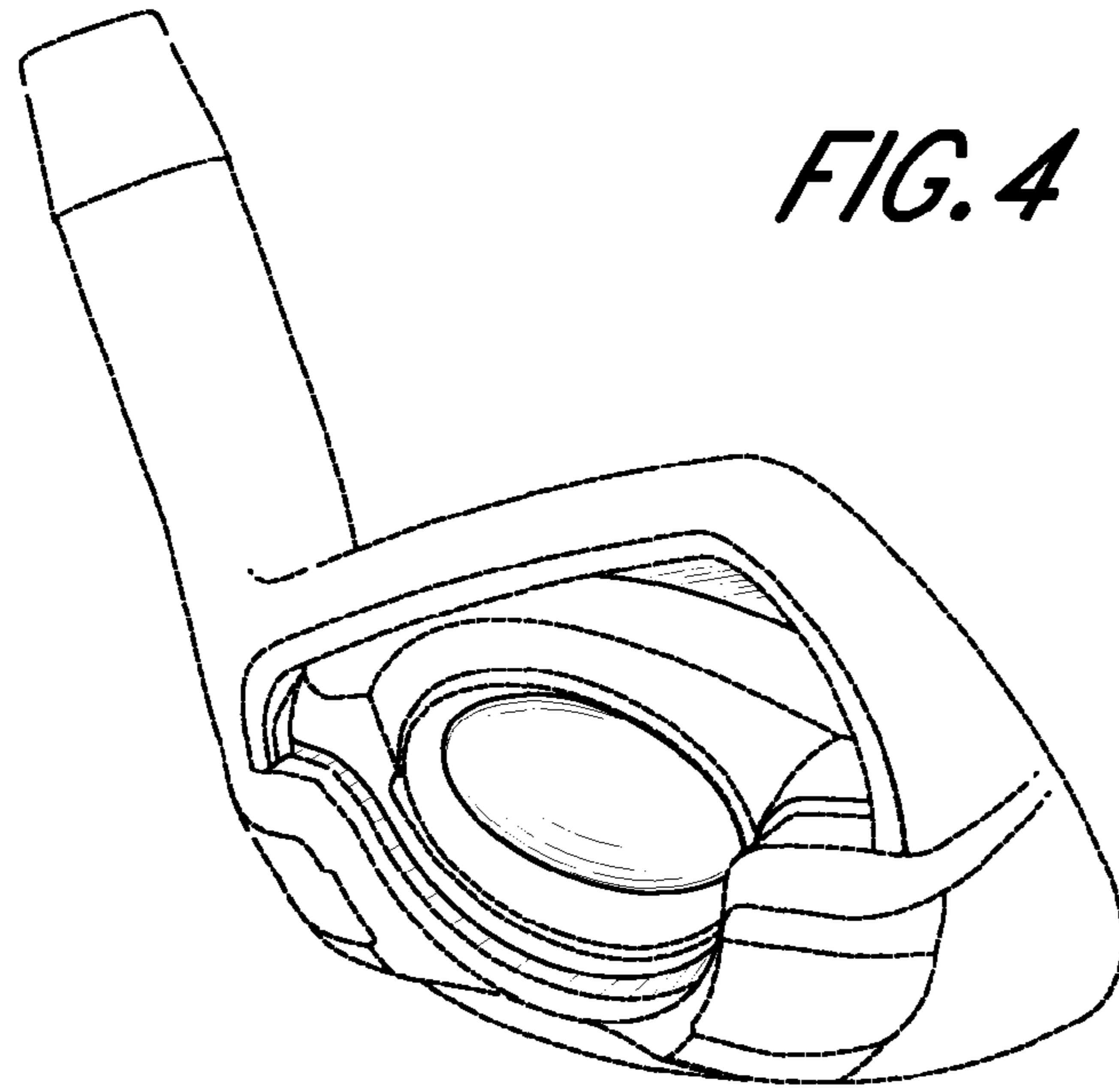


FIG. 3



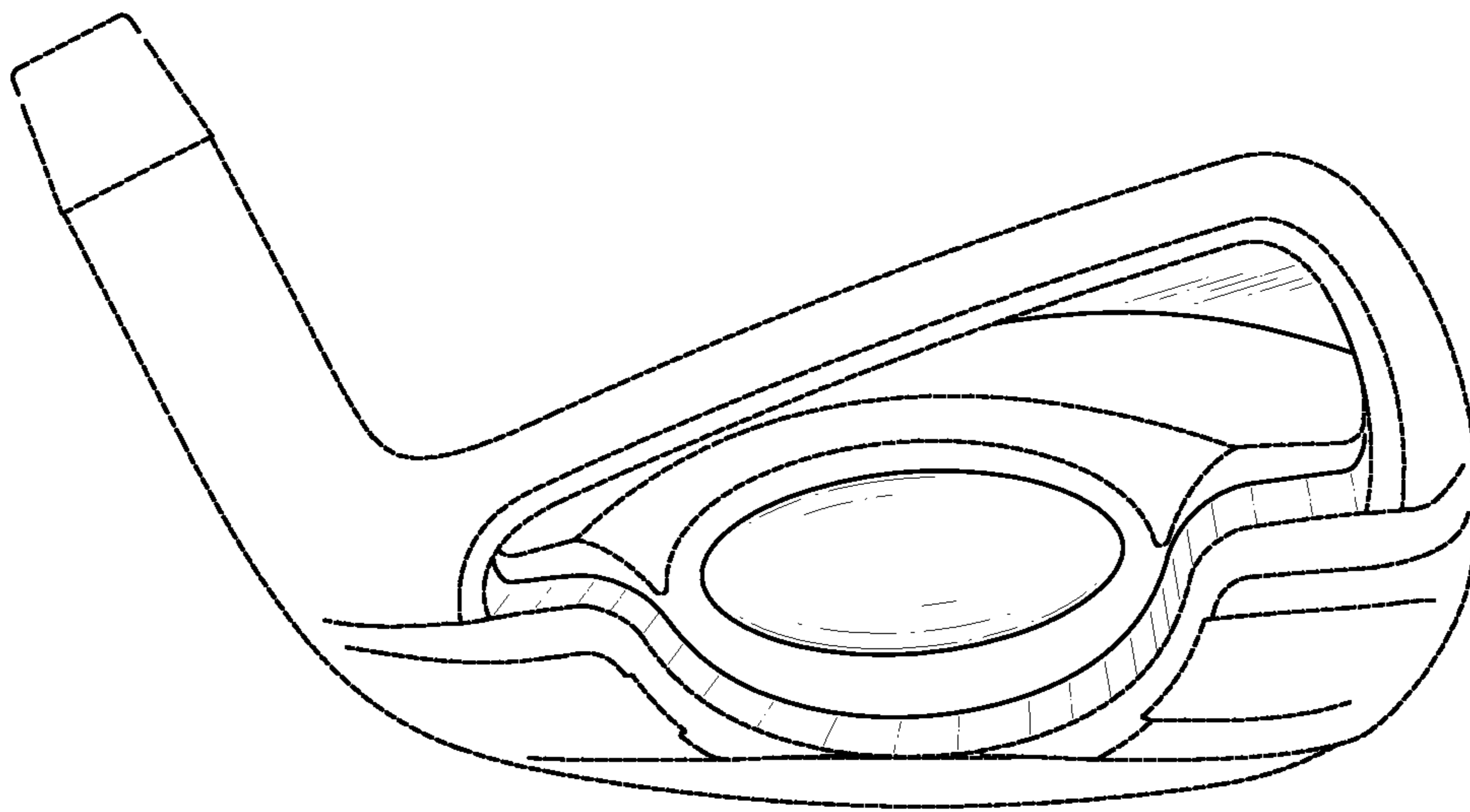


FIG. 6

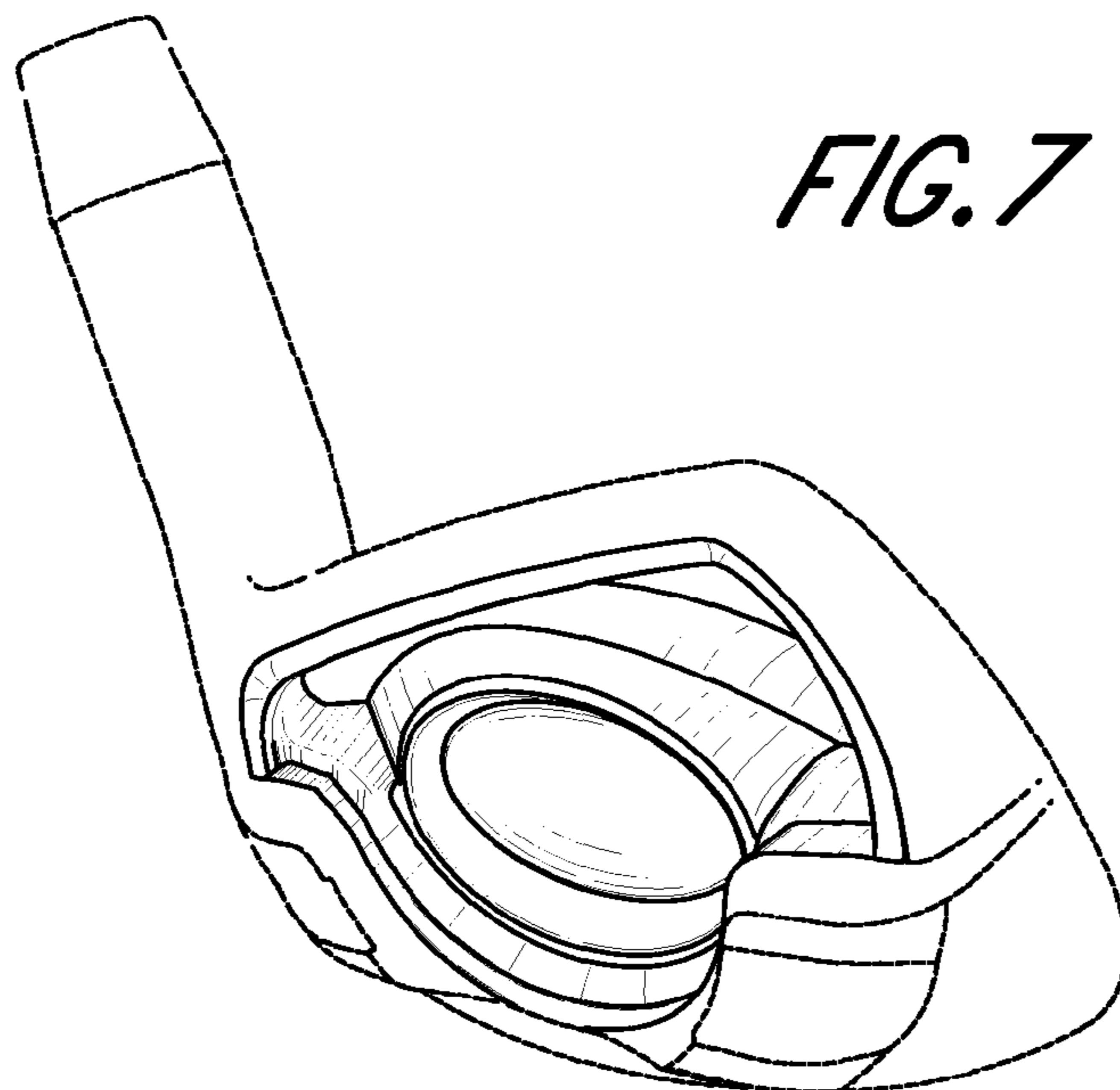


FIG. 7

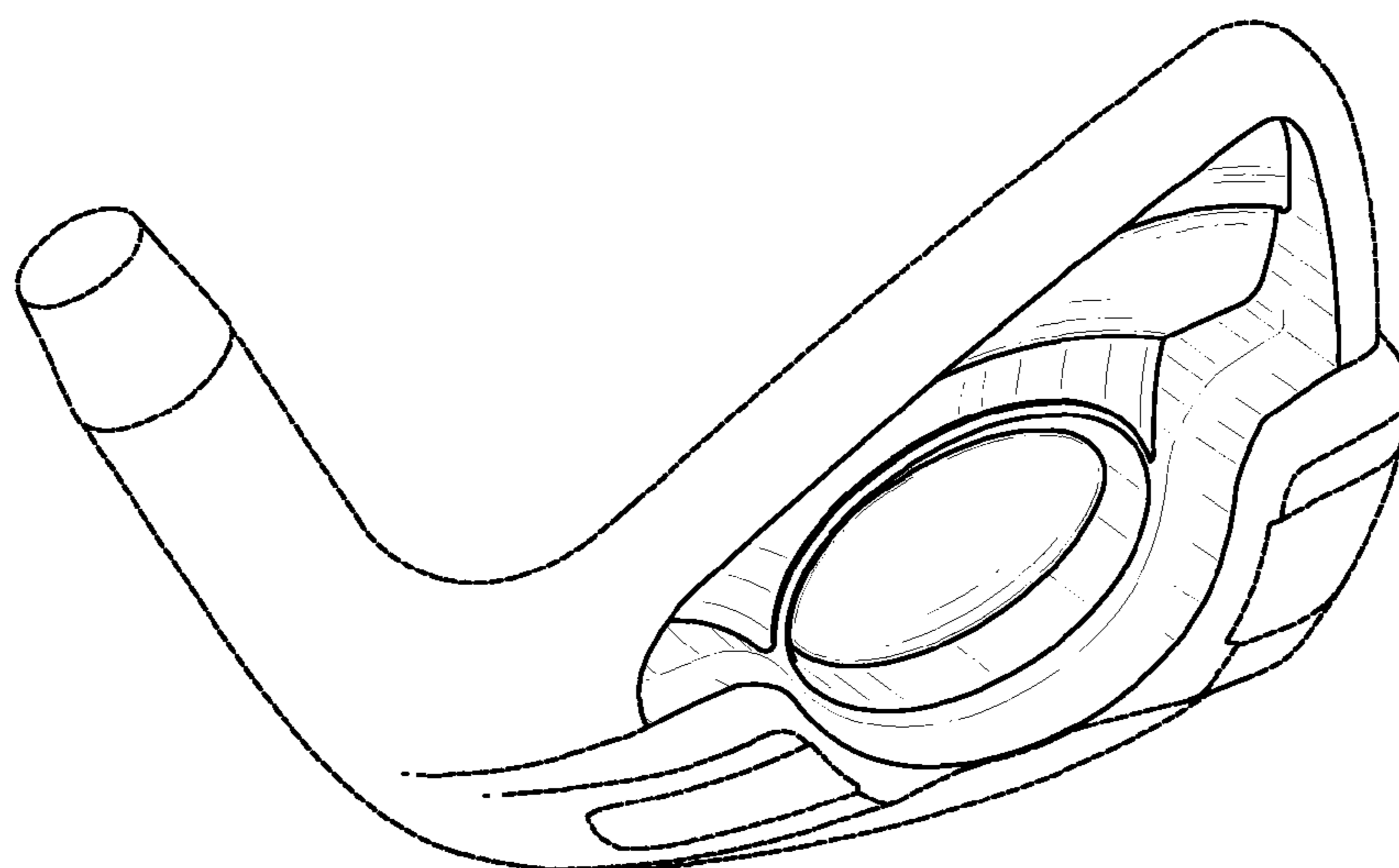


FIG. 8

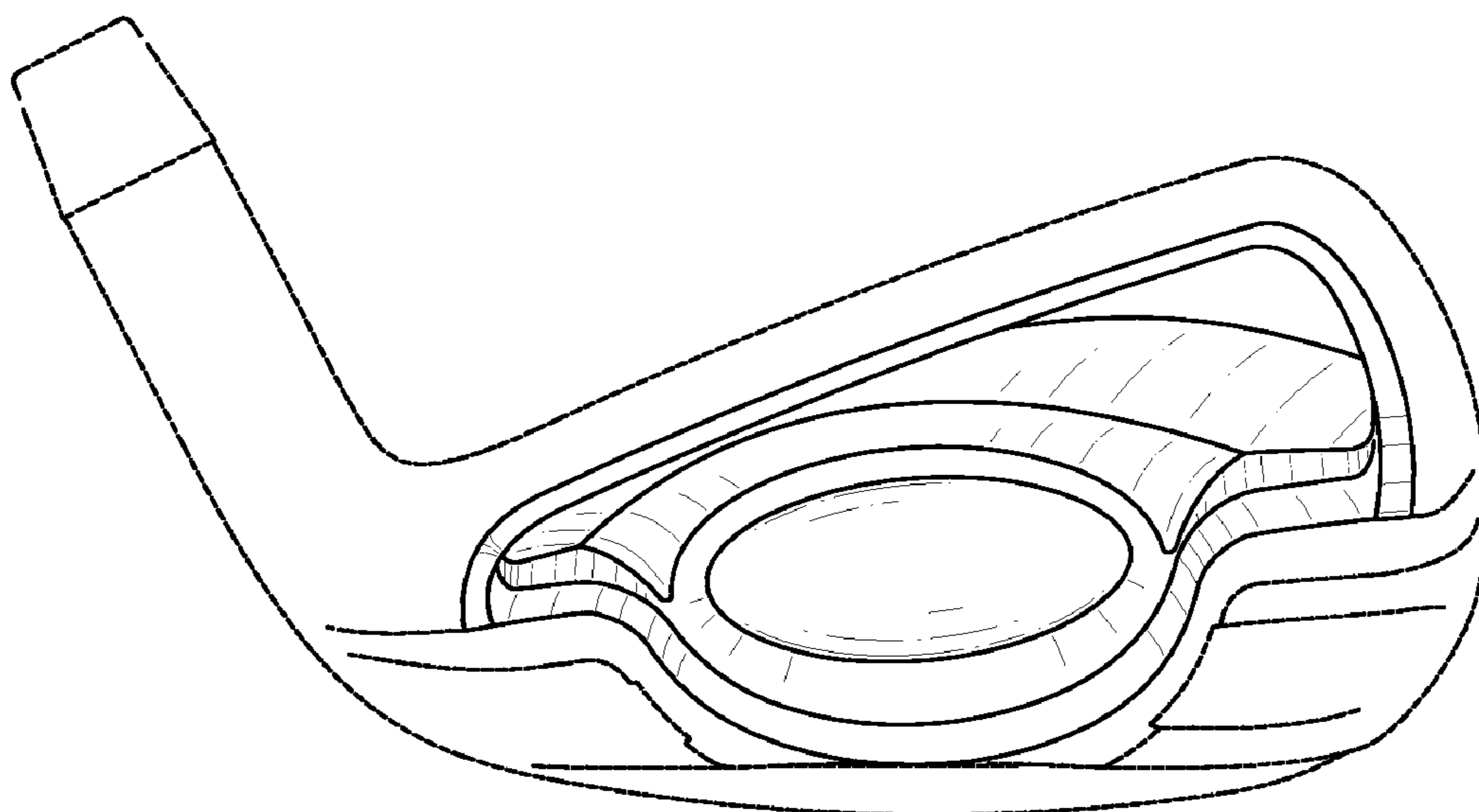


FIG. 9