



US00D643077S

(12) **United States Design Patent**
Olason et al.

(10) **Patent No.:** **US D643,077 S**
(45) **Date of Patent:** **** Aug. 9, 2011**

(54) **DUAL SELECTOR FOR A CONTROL PANEL OF EXERCISE EQUIPMENT**

(75) Inventors: **Brady A. Olason**, Mukilteo, WA (US);
Sean K. Horita, Seattle, WA (US);
Aaron Hawkins, Seattle, WA (US);
Mark Hoeveler, Portland, OR (US)

(73) Assignee: **Precor Incorporated**, Woodinville, WA (US)

(**) Term: **14 Years**

(21) Appl. No.: **29/360,658**

(22) Filed: **Apr. 29, 2010**

(51) **LOC (9) Cl.** **21-02**

(52) **U.S. Cl.** **D21/696; D13/169**

(58) **Field of Classification Search** D21/324–325,
D21/662, 663, 666–668, 670, 686, 694, 696;
D14/137, 138 AA, 138 AC, 138 AD, 217;
D10/46, 103, 121–122; D3/218; D24/107,
D24/158, 165–169, 186, 200; 482/3–8,
482/51–52, 54, 57; D13/158, 160–162, 169–170,
D13/174, 178; 200/310, 214, 329–330,
200/332.2, 335

See application file for complete search history.

(56) **References Cited**

U.S. PATENT DOCUMENTS

D112,901 S * 1/1939 Dunn et al. D13/174
D163,736 S * 6/1951 Bangert, Jr. D13/160

D188,324 S * 7/1960 Brown D10/103
D192,322 S * 3/1962 Dabney D13/160
D256,100 S * 7/1980 Baril D10/46
D343,622 S * 1/1994 Hanke D14/217
D547,401 S * 7/2007 Olason D21/696
D551,630 S * 9/2007 Larson et al. D13/162
D611,434 S * 3/2010 Maehara D13/169
D630,594 S * 1/2011 Samuels et al. D13/169
2008/0047811 A1 * 2/2008 Yamanaka 200/332.2

* cited by examiner

Primary Examiner — Susan E Krakower

(74) *Attorney, Agent, or Firm* — Terence P. O'Brien

(57) **CLAIM**

We claim the ornamental design for a dual selector for a control panel of exercise equipment, as shown and described.

DESCRIPTION

FIG. 1 is a front perspective view of a dual selector for a control panel of exercise equipment;

FIG. 2 is an enlarged front perspective view of the dual selector of FIG. 1;

FIG. 3 is a front view of the dual selector of FIG. 1;

FIG. 4 is a first side view of the dual selector of FIG. 1;

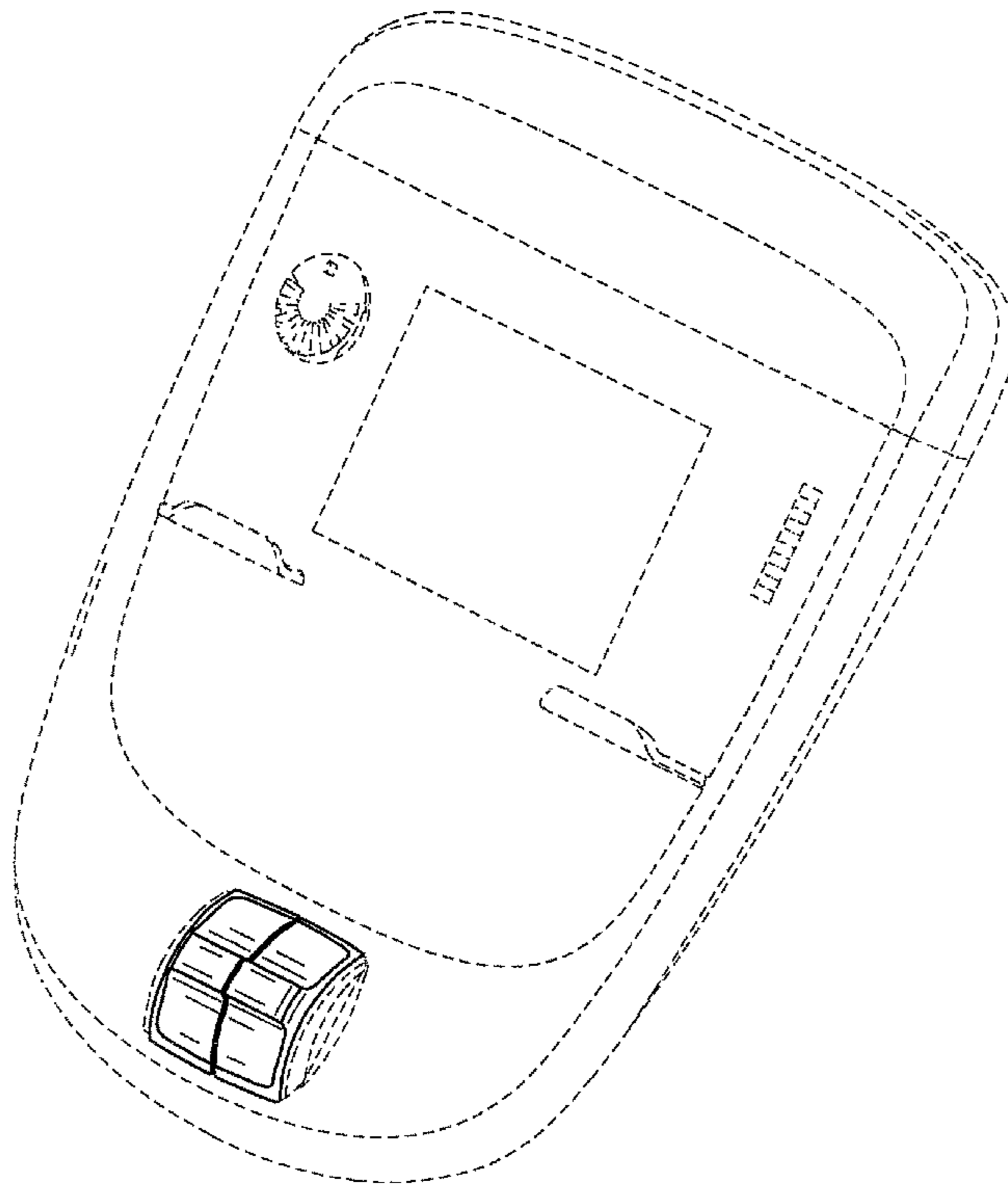
FIG. 5 is a second side view of the dual selector of FIG. 1;

FIG. 6 is a top view of the dual selector of FIG. 1; and,

FIG. 7 is a bottom view of the dual selector of FIG. 1.

The ornamental design that is claimed is shown in solid lines in the drawings. The broken (dashed) lines shown in the drawings are included for the purpose of illustrating environmental elements only and form no part of the claimed design.

1 Claim, 4 Drawing Sheets



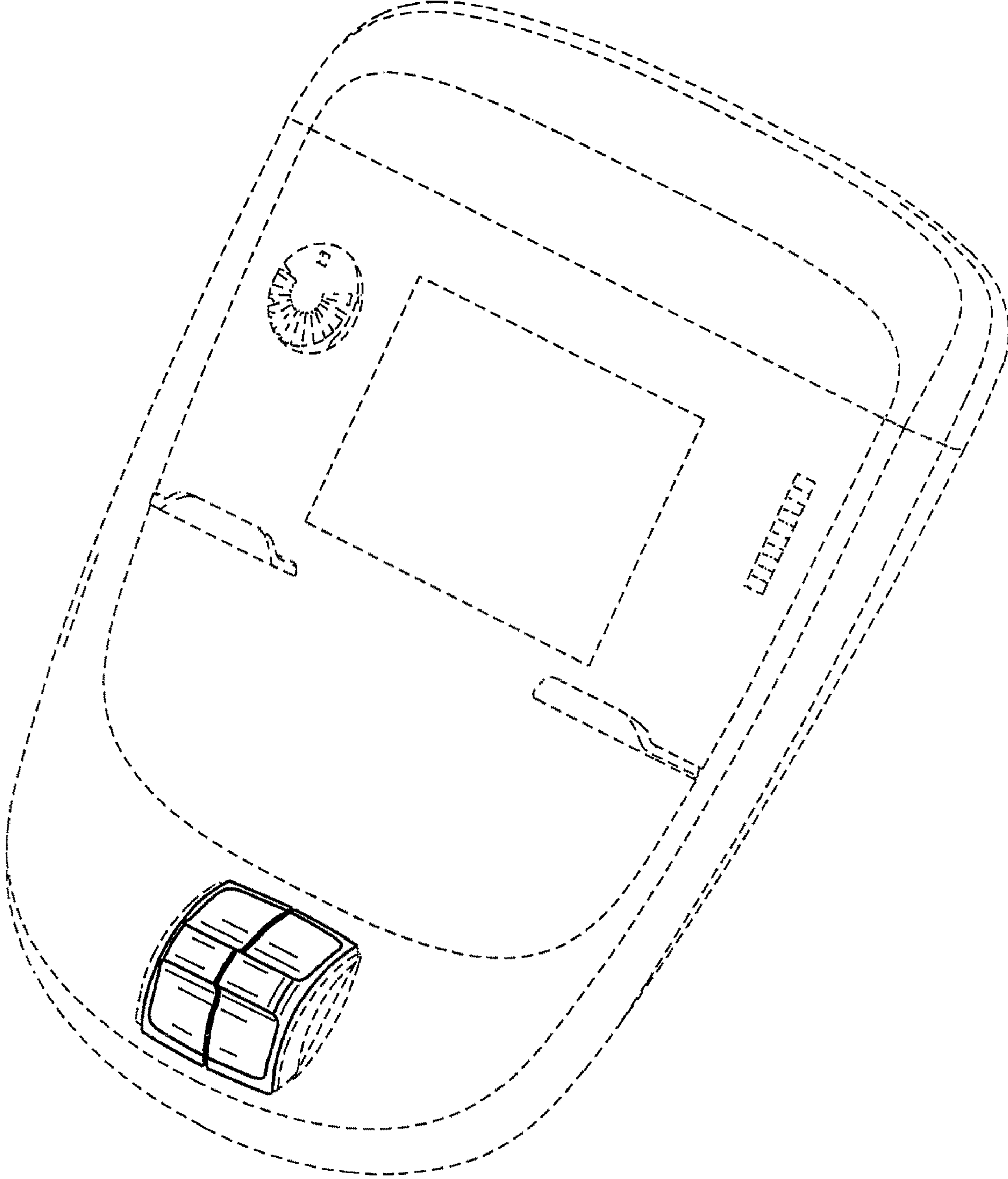


FIG. 1

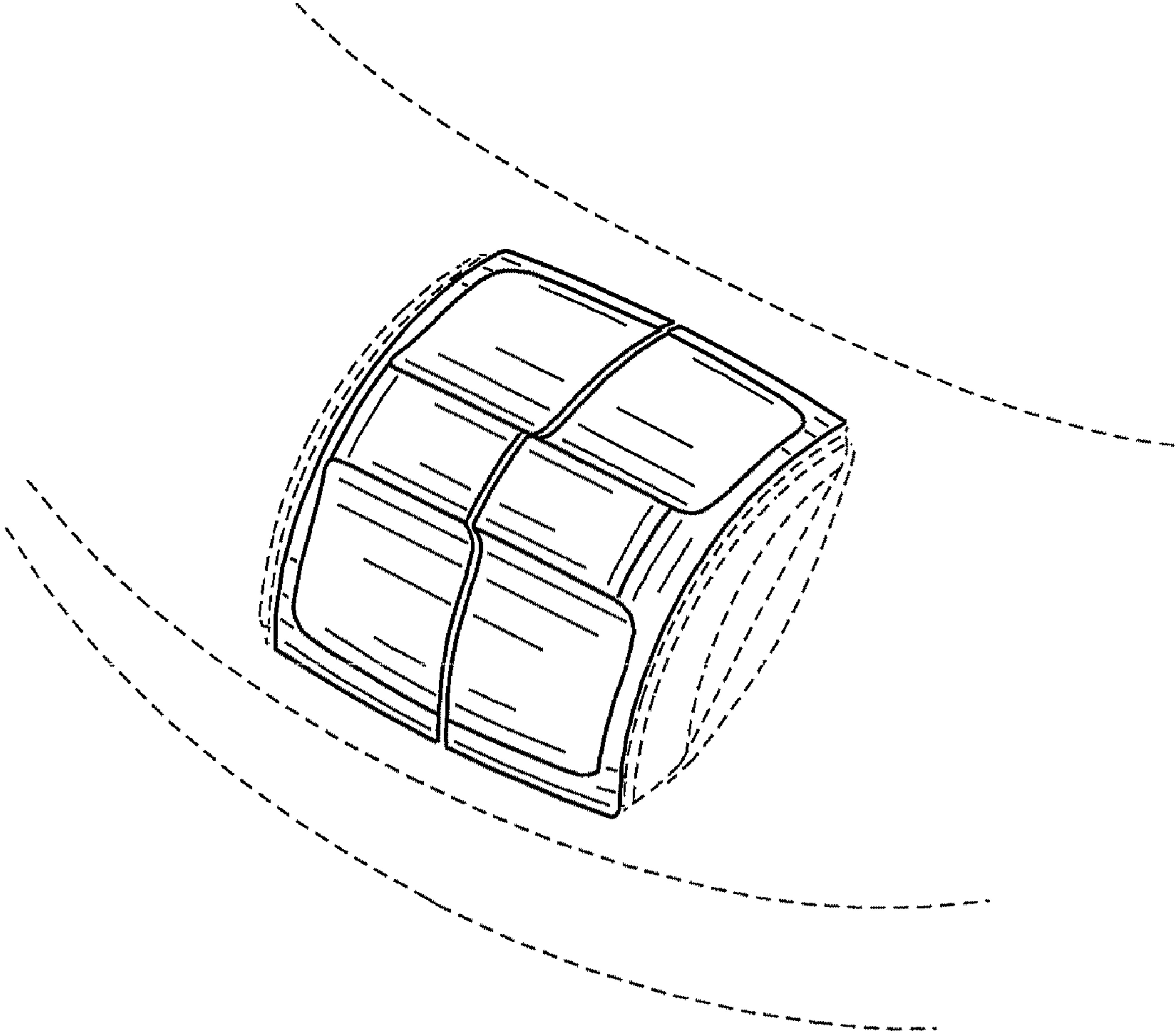


FIG. 2

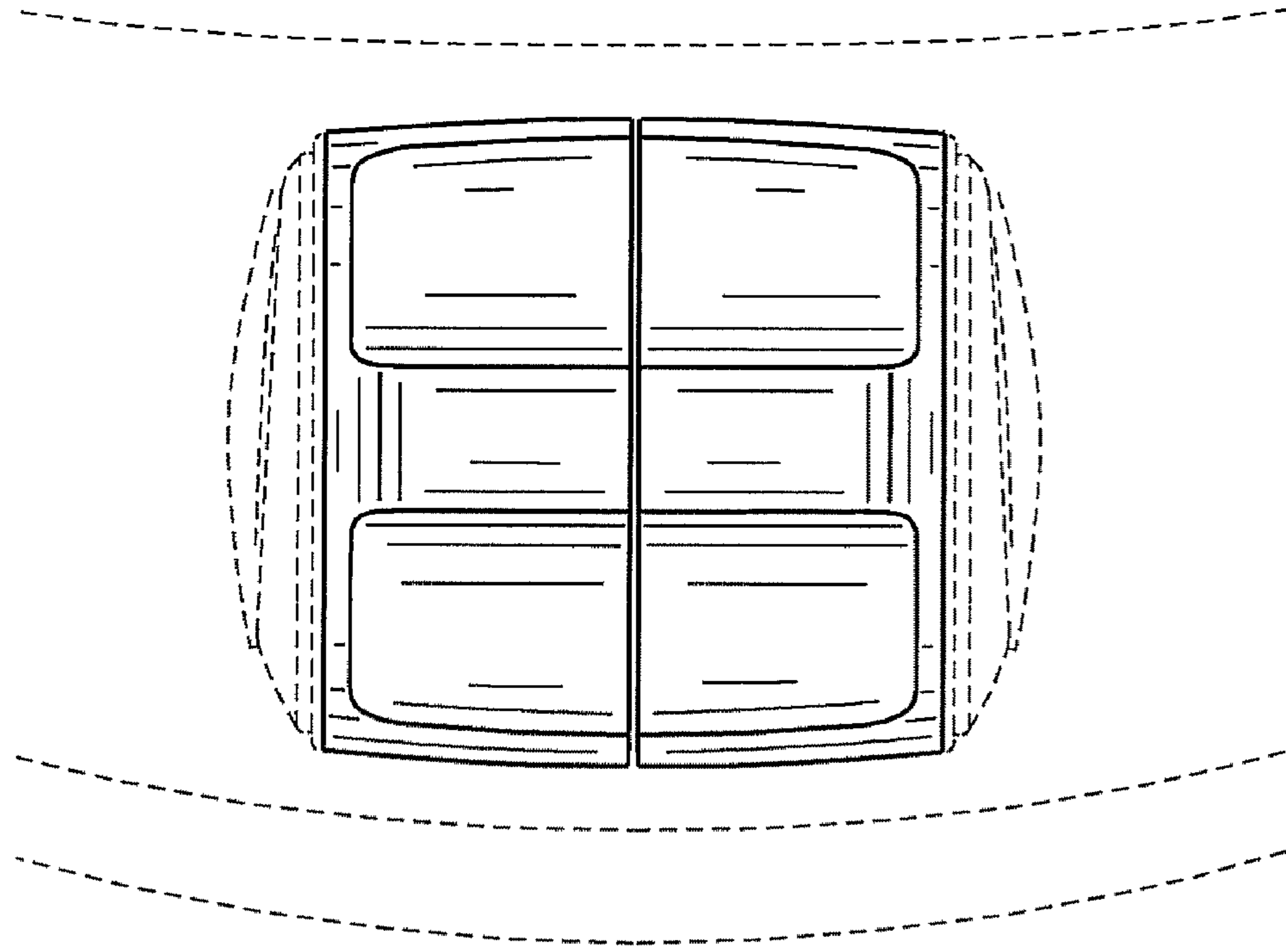


FIG. 3

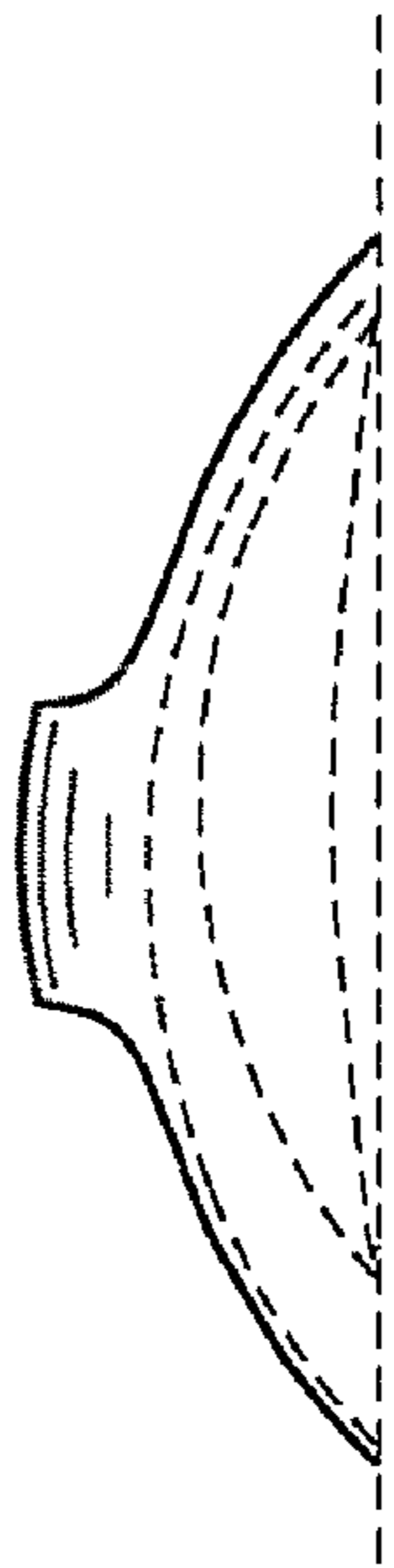


FIG. 4



FIG. 5

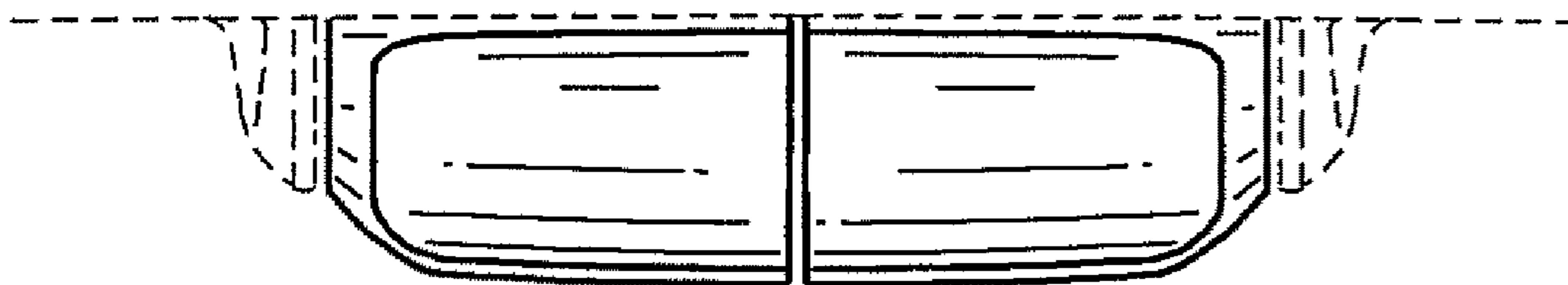


FIG. 6

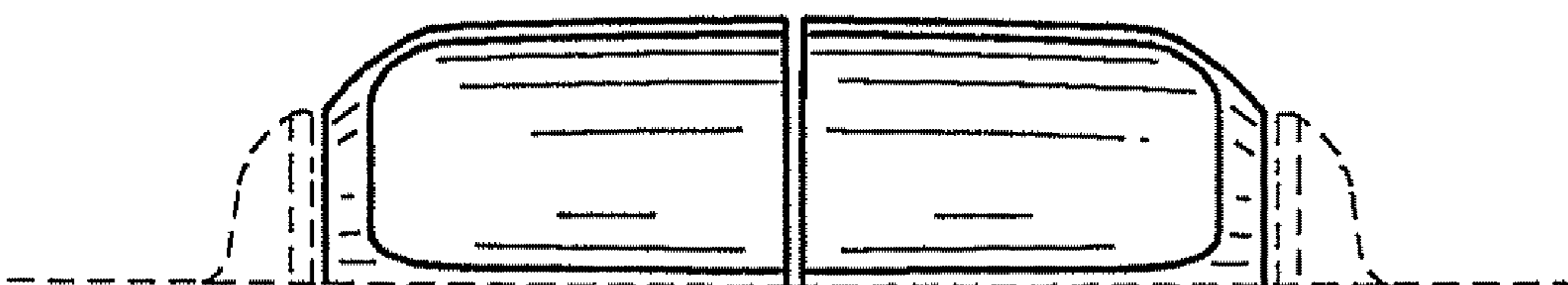


FIG. 7