



US00D643076S

(12) **United States Design Patent**
Khoury

(10) **Patent No.:** **US D643,076 S**

(45) **Date of Patent:** **** Aug. 9, 2011**

(54) **WORKOUT APPARATUS**

(76) Inventor: **Joseph Khoury**, Melbourne (AU)

(**) Term: **14 Years**

(21) Appl. No.: **29/316,490**

(22) Filed: **Oct. 2, 2009**

(51) **LOC (9) Cl.** **21-02**

(52) **U.S. Cl.** **D21/690; D21/662**

(58) **Field of Classification Search** D21/662,
D21/671, 676, 686, 687, 690, 794, 797; D24/183,
D24/184; 482/25, 94, 104, 124, 125, 129,
482/137, 140, 142

See application file for complete search history.

(56) **References Cited**

U.S. PATENT DOCUMENTS

D252,237	S	*	7/1979	Demaio	D21/690
4,410,174	A	*	10/1983	Hamada	482/25
D281,268	S	*	11/1985	Irvine et al.	D21/690
5,304,109	A	*	4/1994	Shockley	482/142
D353,637	S	*	12/1994	Huang	D21/690
D363,747	S	*	10/1995	Gvoich	D21/671
D491,987	S	*	6/2004	Harley	D21/690

D546,403	S	*	7/2007	Schaefer et al.	D21/686
7,285,077	B1	*	10/2007	Marx	482/104
D578,173	S	*	10/2008	James	D21/690
2003/0195094	A1	*	10/2003	Kim	482/142
2005/0164856	A1	*	7/2005	Parmater et al.	482/142
2010/0130335	A1	*	5/2010	Hoobler	482/104

* cited by examiner

Primary Examiner — Susan E Krakower

(74) *Attorney, Agent, or Firm* — Andrew Schroeder; Law Office of Andrew Schroeder

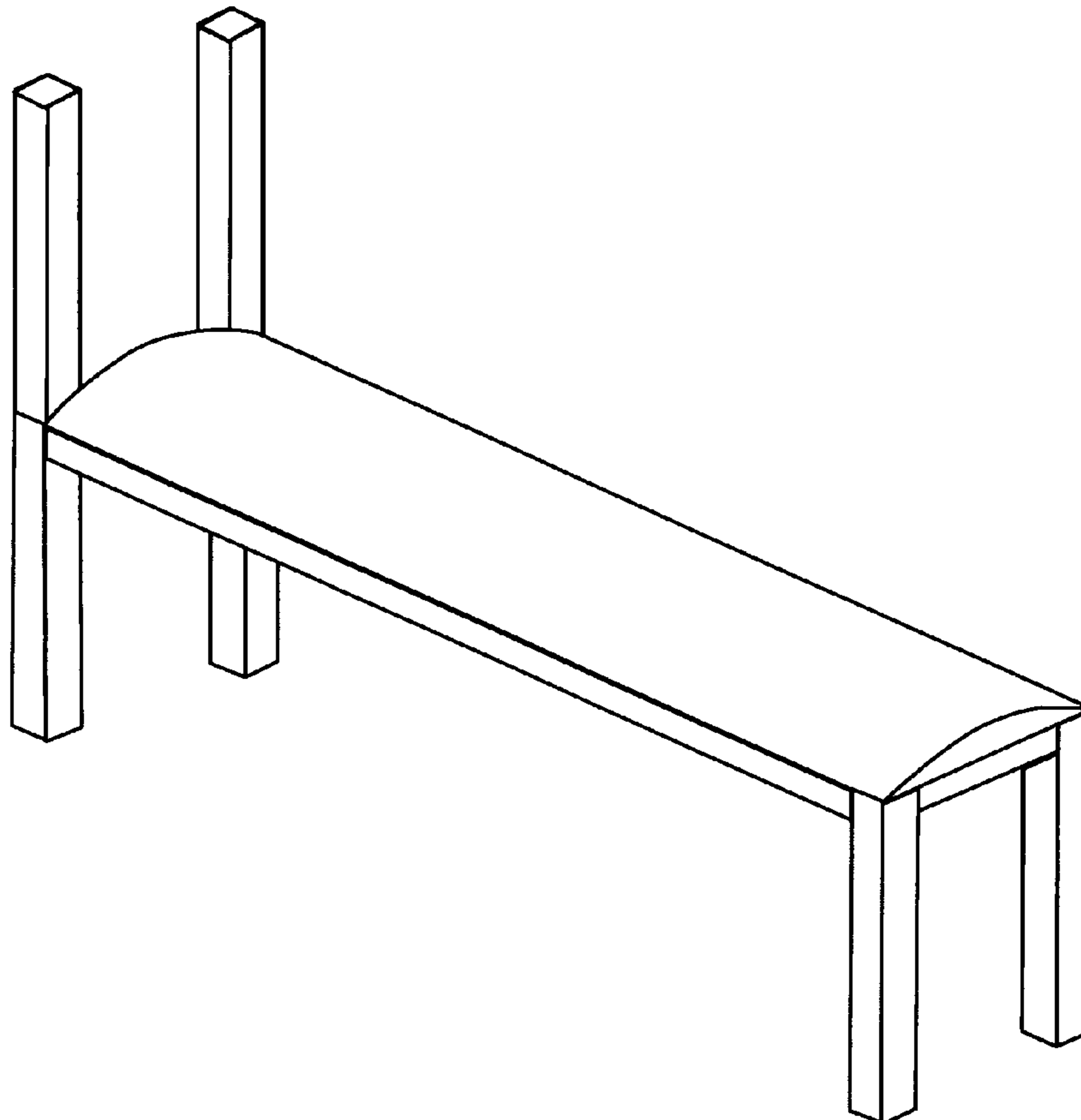
(57) **CLAIM**

The ornamental design for a workout apparatus, as shown and described.

DESCRIPTION

FIG. 1 is a perspective view of a workout apparatus.
FIG. 2 is a frontal view of a workout apparatus.
FIG. 3 is an enlarged top plan view of a workout apparatus;
and,
FIG. 4 is an enlarged side elevational view of a workout apparatus.

1 Claim, 2 Drawing Sheets



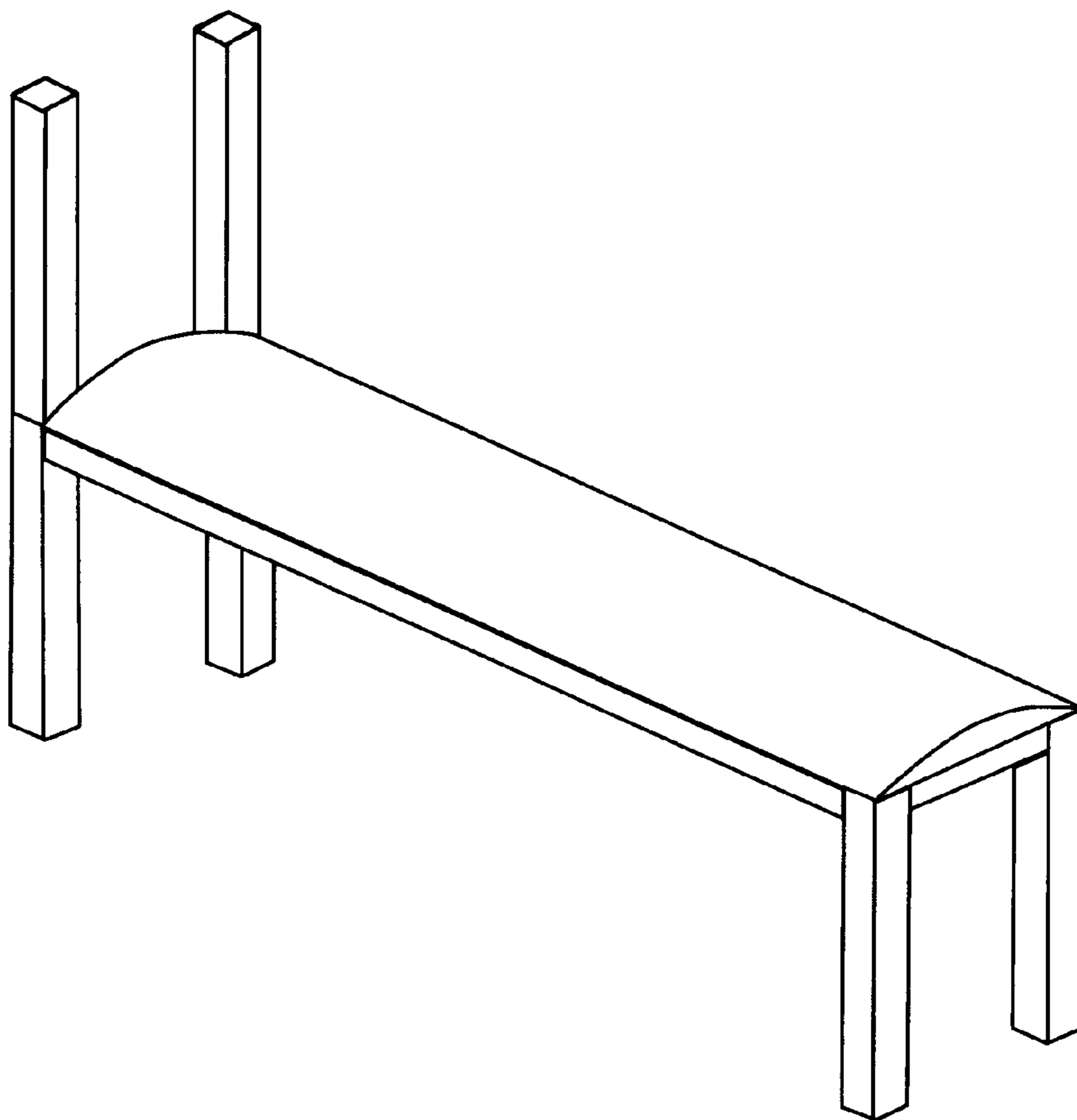


Fig. 1

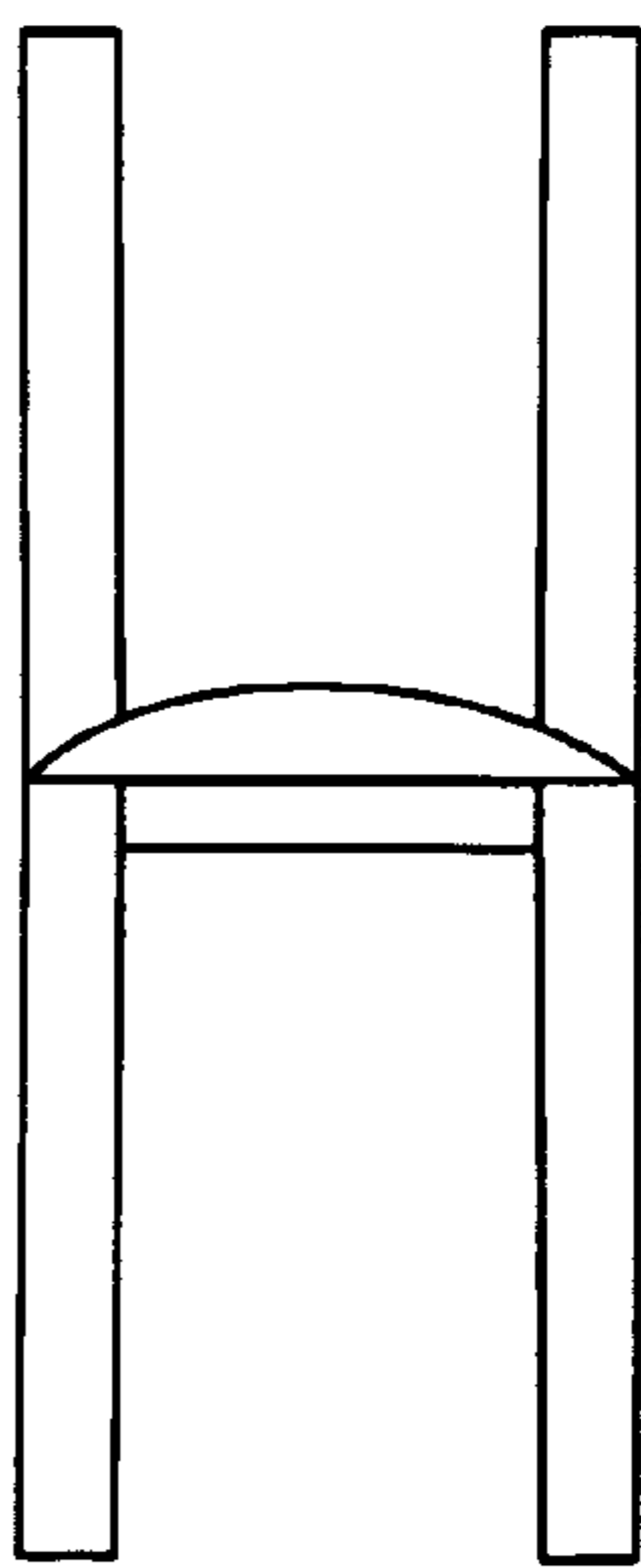


Fig. 2

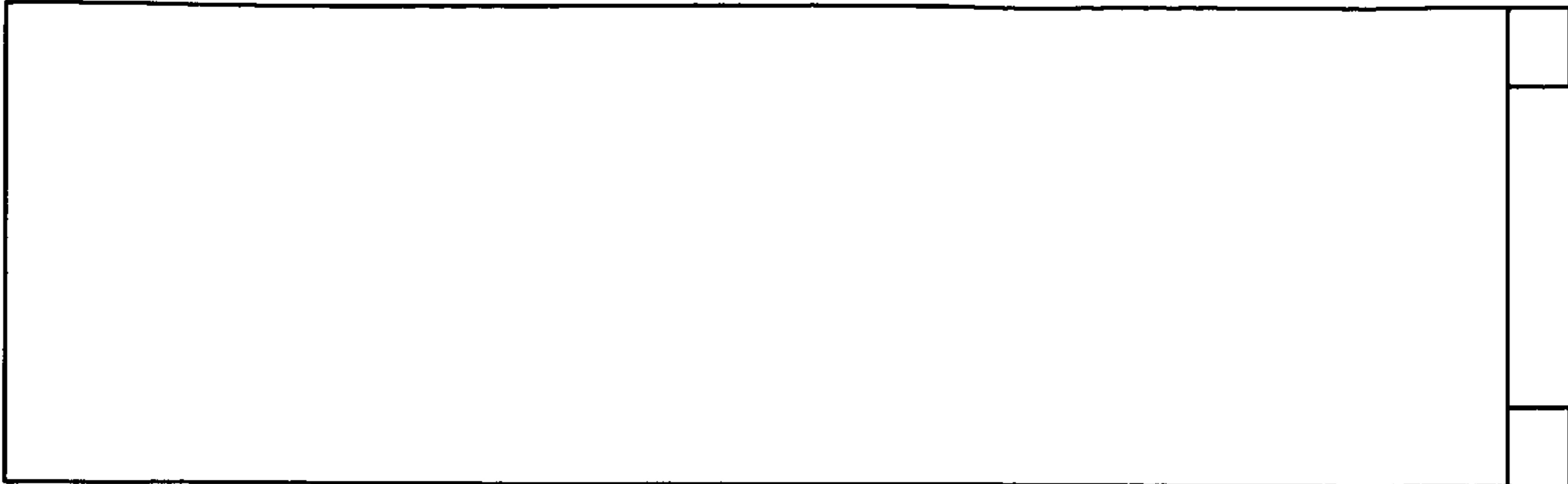


Fig. 3

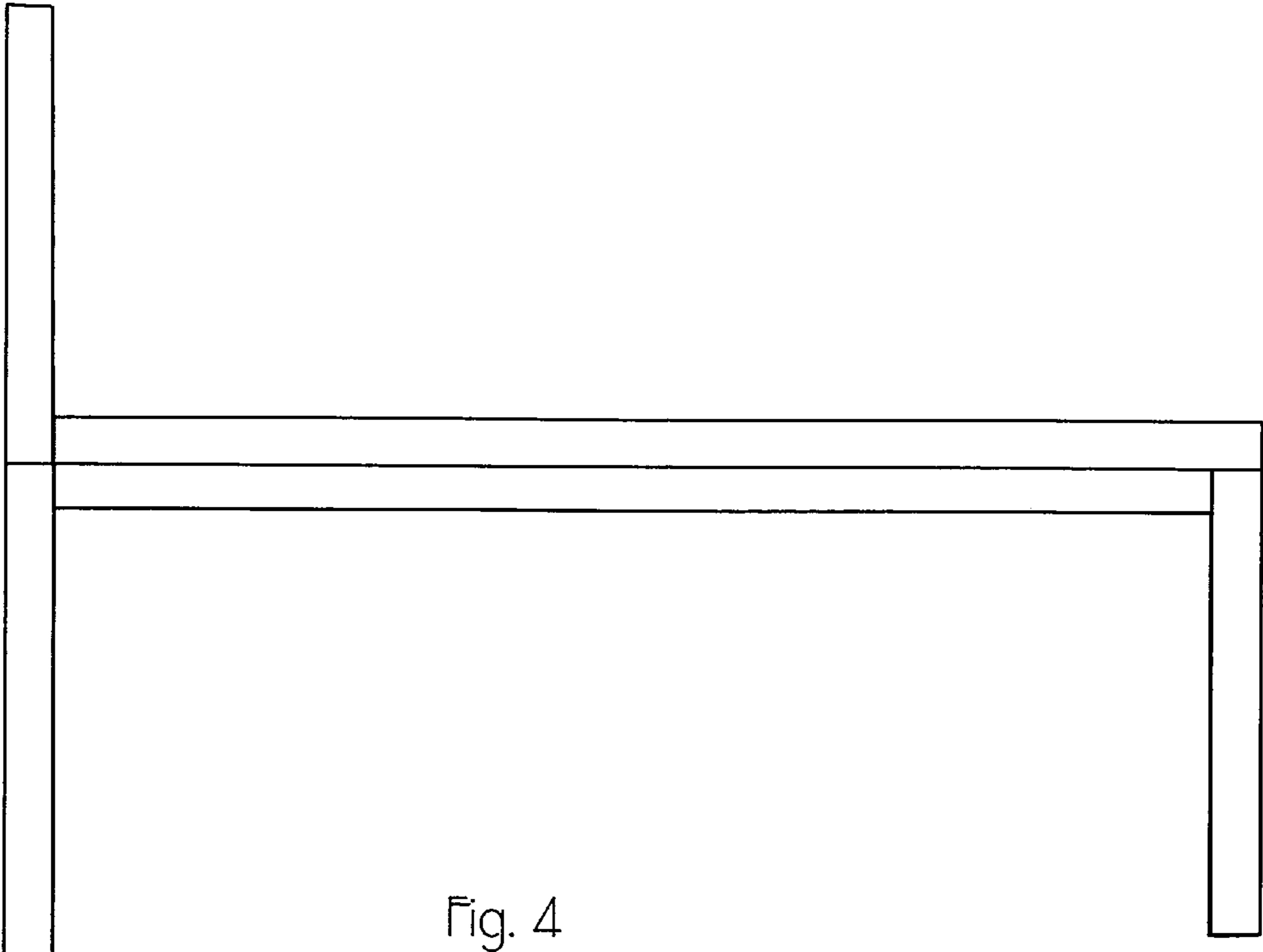


Fig. 4