



US00D643070S

(12) **United States Design Patent**
Rosas

(10) **Patent No.:** **US D643,070 S**

(45) **Date of Patent:** **** Aug. 9, 2011**

(54) **SECURITY STICKER FOR DELIVERED FOOD CONTAINERS**

(76) Inventor: **Anita M. Rosas**, San Jose, CA (US)

(**) Term: **14 Years**

(21) Appl. No.: **29/379,715**

(22) Filed: **Nov. 23, 2010**

(51) **LOC (9) Cl.** **19-08**

(52) **U.S. Cl.** **D20/23; D20/28**

(58) **Field of Classification Search** D20/10,
D20/11, 13, 19, 22-29, 40, 42, 99; 40/1.6,
40/27.5, 124.01-124.09, 124.11-124.19,
40/124.191, 299.01, 310-132, 315, 360,
40/541, 584, 625, 630, 638; D7/396.4; D9/494,
D9/499; D10/104, 109; D14/489, 492; D19/12;
206/390; 283/56, 71, 74, 78, 81; 428/40.1,
428/42.1-42.3, 914

See application file for complete search history.

(56) **References Cited**

U.S. PATENT DOCUMENTS

D284,250	S	*	6/1986	Zughaib	D7/396.4
D321,014	S	*	10/1991	Arkell	D20/11
D359,450	S		6/1995	Thomas		
D385,583	S	*	10/1997	Walsh	D20/42
6,398,028	B1		6/2002	Stovall		
D517,122	S		3/2006	Milliorn		
D536,381	S	*	2/2007	Cho	D20/23
D601,635	S	*	10/2009	Spengler	D20/26
D602,772	S	*	10/2009	Suzuki et al.	D9/434
D613,749	S	*	4/2010	Amos	D14/489
2008/0092419	A1	*	4/2008	Muramoto	40/315

OTHER PUBLICATIONS

Some Pizza on your sticker—Cafe Press, http://www.cafepress.com/+_some_pizza_on_your_decal,30021105, pulled from the web on Apr. 2, 2011.*

* cited by examiner

Primary Examiner — Mary Ann Calabrese

(74) *Attorney, Agent, or Firm* — Montgomery Patent and Design; Robert C. Montgomery; Joseph T. Yaksich

(57) **CLAIM**

The ornamental design for a security sticker for delivered food containers, as shown and described.

DESCRIPTION

FIG. 1 is a perspective view of a security sticker for delivered food containers shown in use as applied to a pizza box, showing my new design.

FIG. 2 is a front view of the security sticker for delivered food containers;

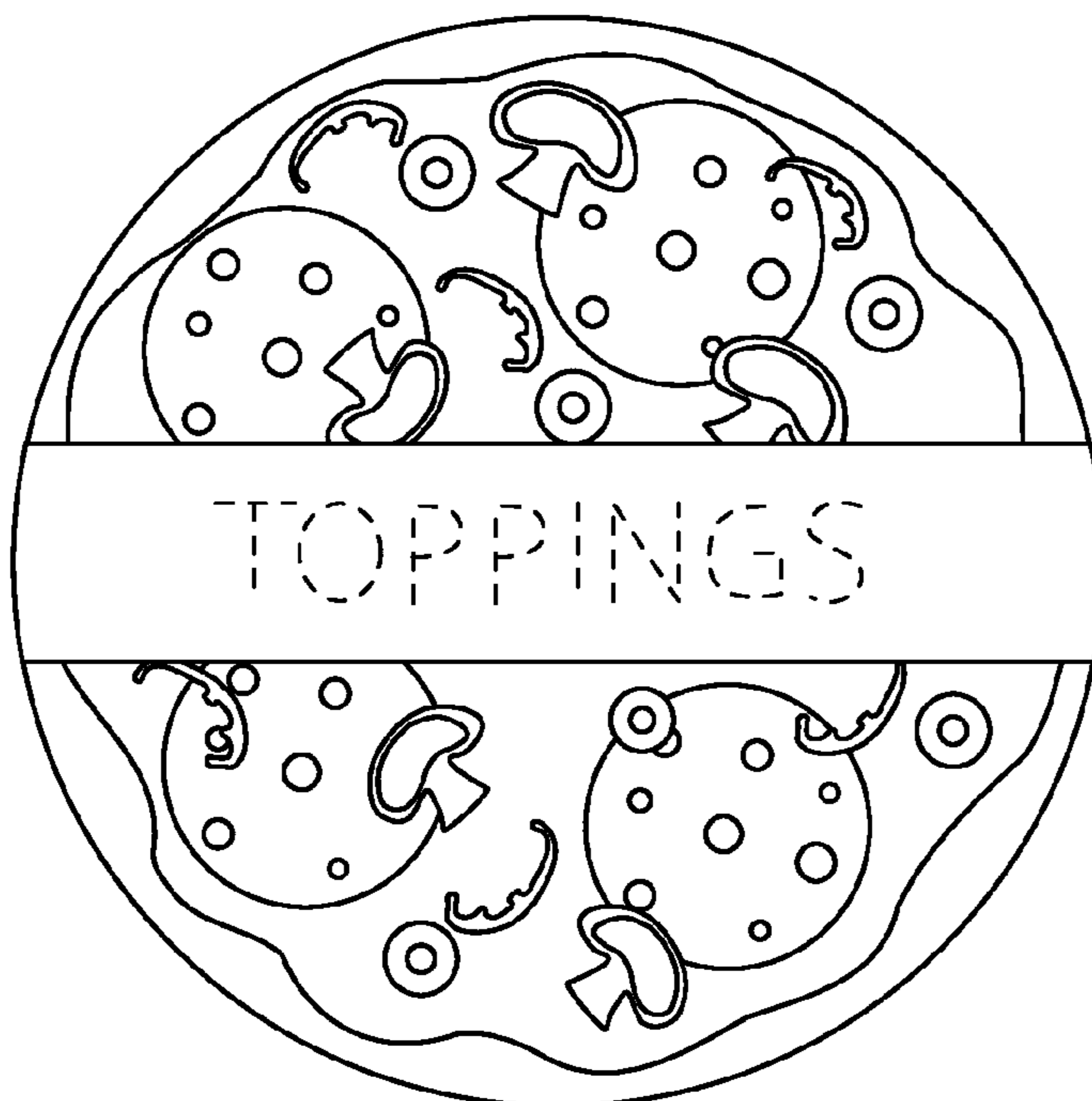
FIG. 3 is a left side view thereof with a right side view, a top view, and a bottom view being a mirror image;

FIG. 4 is an exploded front view of the security sticker for delivered food containers; and,

FIG. 5 is an exploded rear view thereof.

The broken line showing of a portion of a pizza box in FIG. 1 and the word TOPPINGS in FIGS. 1, 2 and 4 are for the purpose of illustrating environment and forms no part of the claimed design.

1 Claim, 5 Drawing Sheets



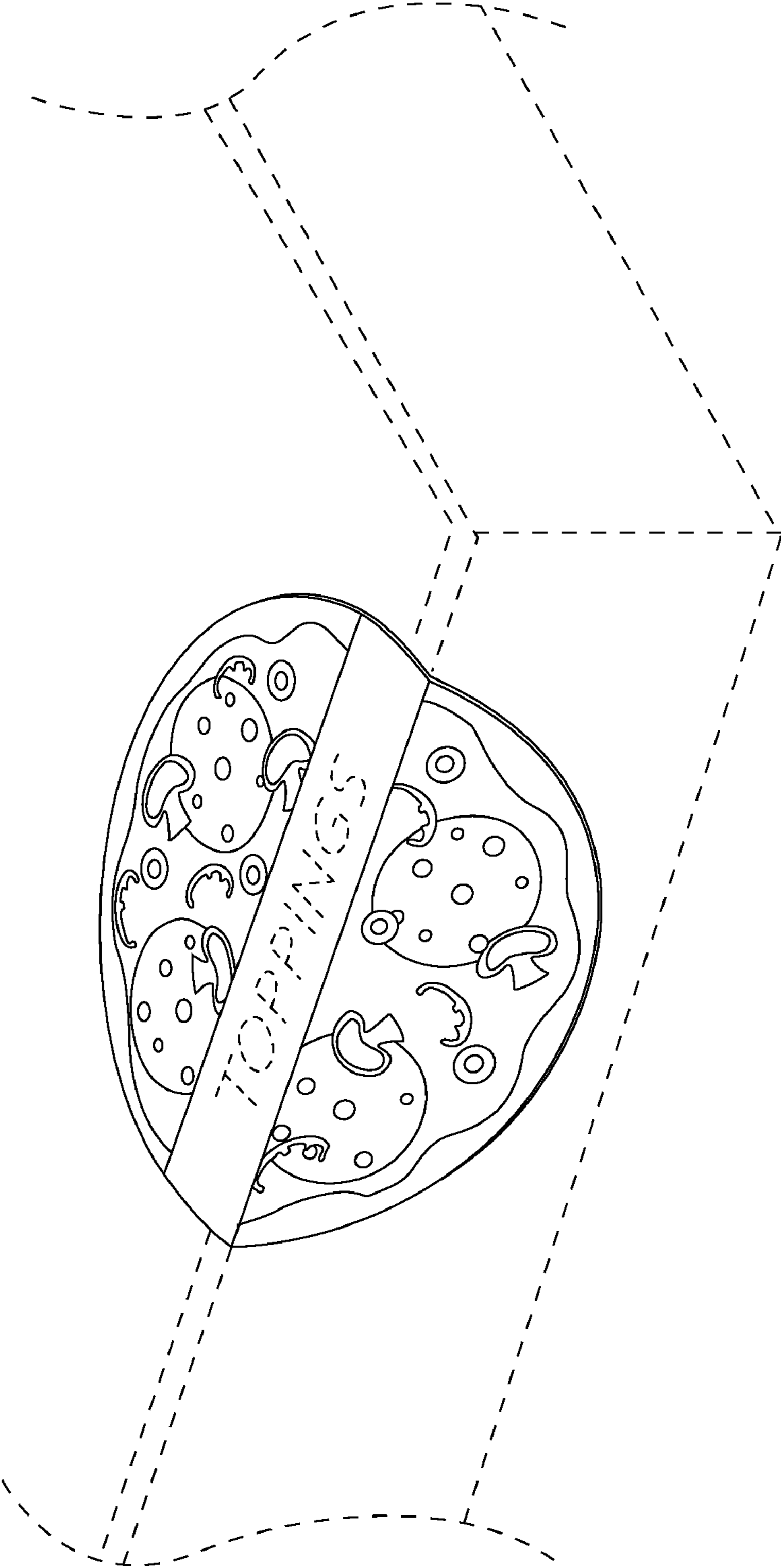


Fig. 1

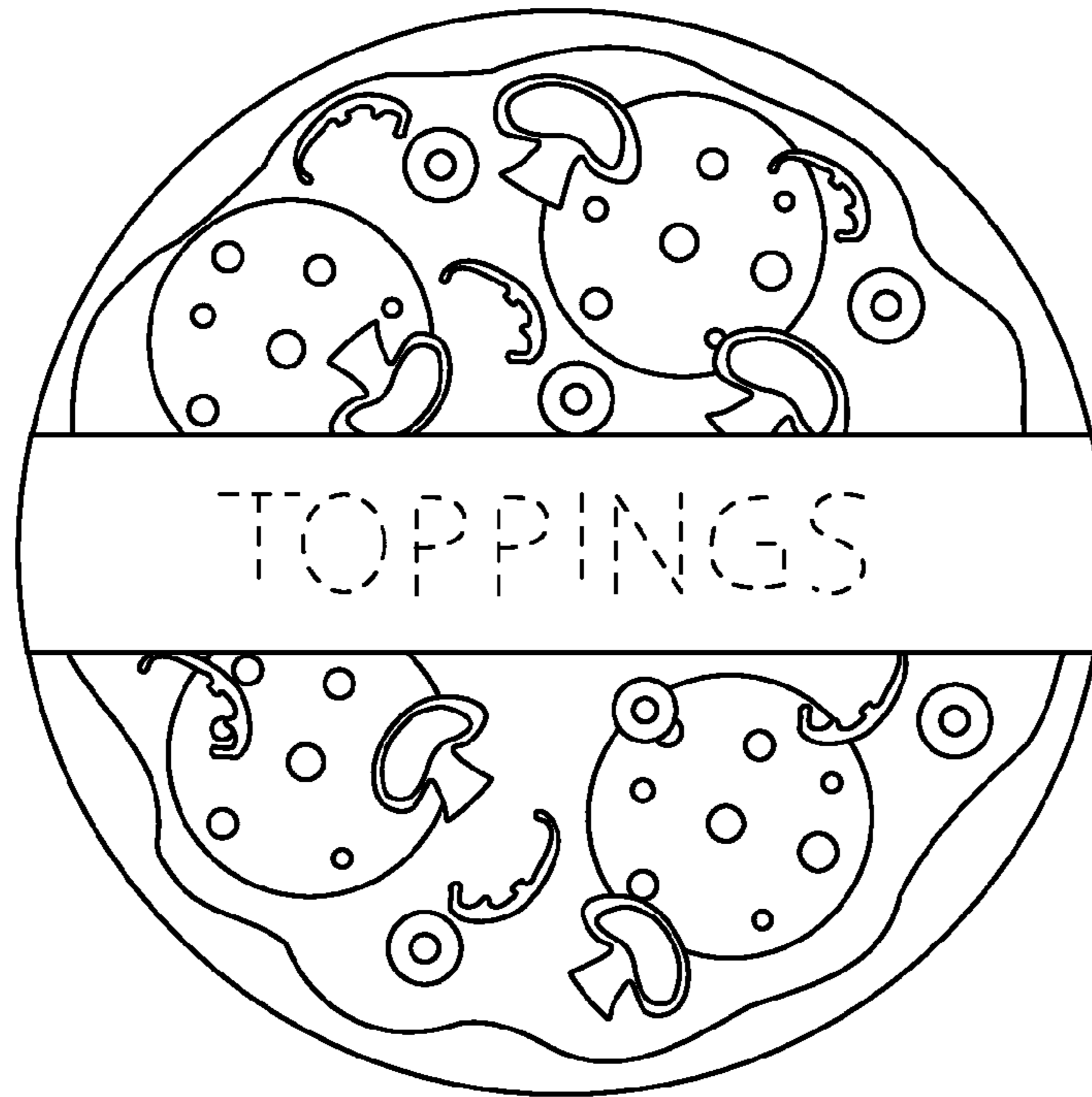


Fig. 2



Fig. 3

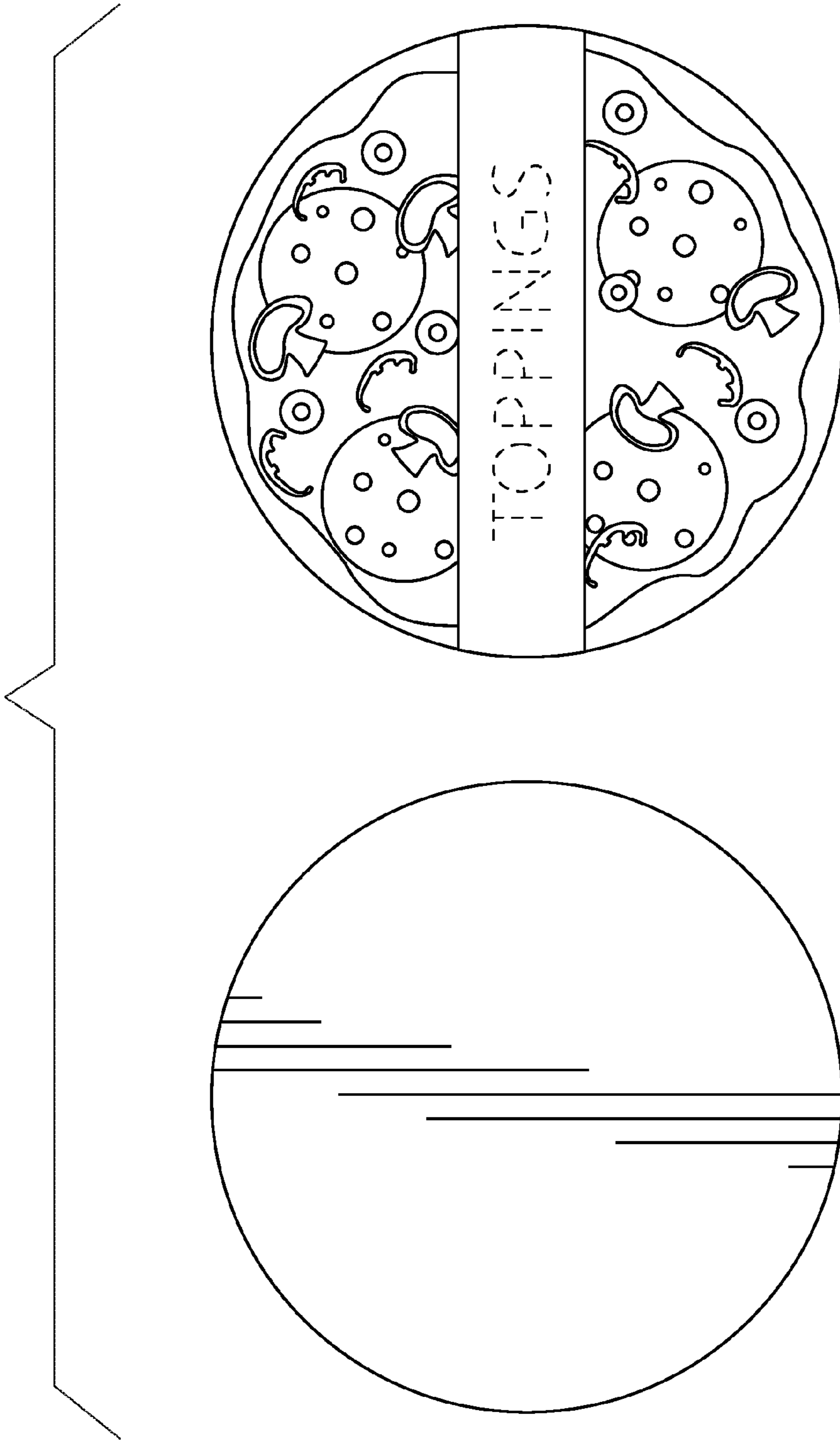


Fig. 4

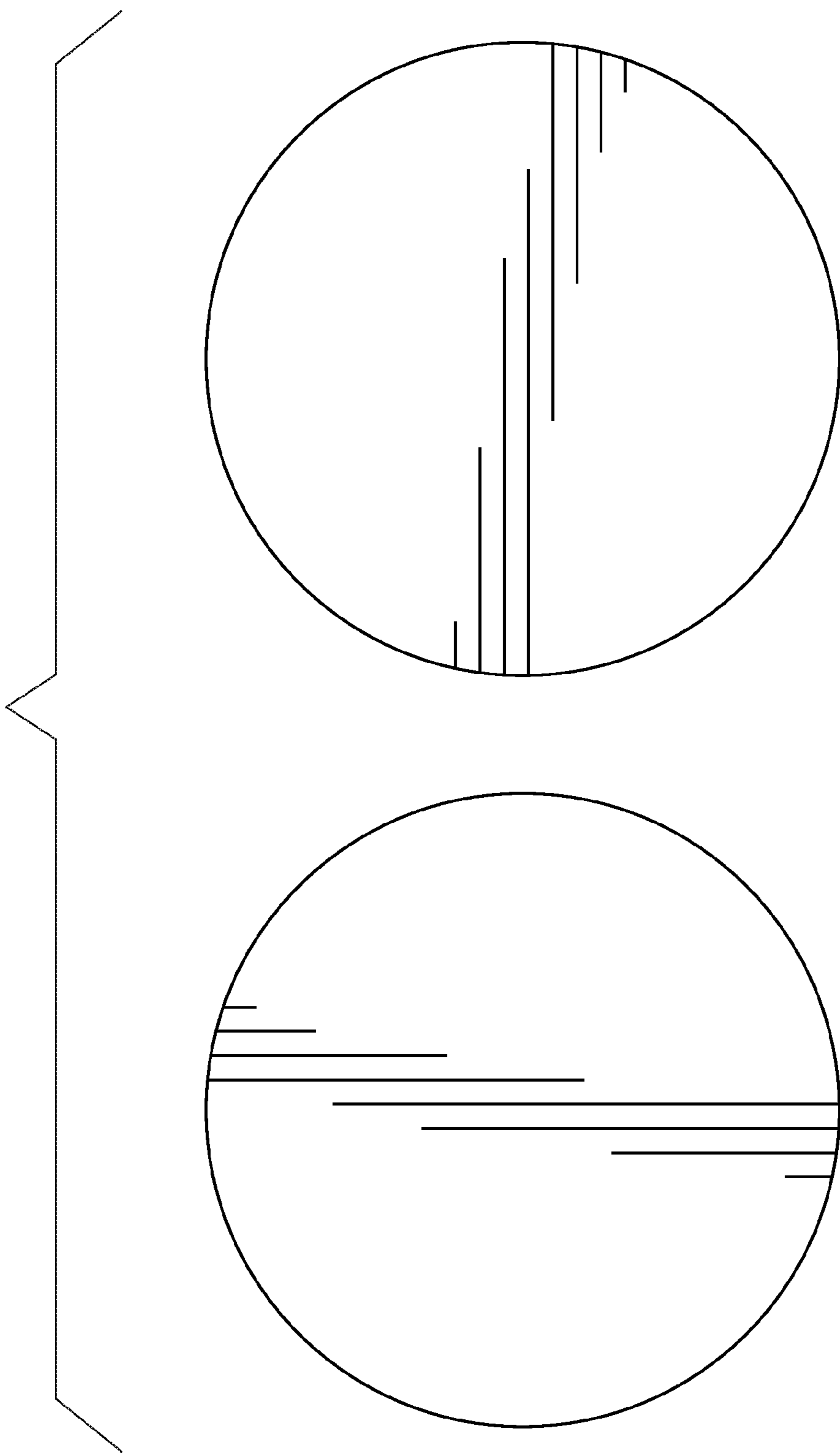


Fig. 5