



US00D643068S

(12) **United States Design Patent**
Teague

(10) **Patent No.:** **US D643,068 S**

(45) **Date of Patent:** **** Aug. 9, 2011**

(54) **HIGHLIGHTER NIB**

(76) **Inventor:** **Michael Wayne Teague, Jenks, OK**
(US)

(**) **Term:** **14 Years**

(21) **Appl. No.:** **29/361,253**

(22) **Filed:** **May 7, 2010**

(51) **LOC (9) Cl.** **19-06**

(52) **U.S. Cl.** **D19/55**

(58) **Field of Classification Search** D19/35,
D19/36, 41-51, 54-58; 24/11 F, 11 P, 11 R;
401/11, 52, 99, 104-109, 192, 195, 198,
401/199, 221, 261, 262, 264, 266
See application file for complete search history.

(56) **References Cited**

U.S. PATENT DOCUMENTS

2,249,401	A *	7/1941	Sieg	401/176
2,453,201	A	11/1948	Cushman	
2,472,296	A *	6/1949	Hartnell	428/675
2,622,560	A *	12/1952	Menaker	33/41.4
3,639,070	A *	2/1972	Davidson	401/199
3,977,798	A *	8/1976	Kuparinen	401/258
4,208,145	A *	6/1980	Azuma	401/196
4,453,849	A *	6/1984	Fernandez	401/193
5,358,349	A *	10/1994	Burroughs et al.	401/184
D368,553	S *	4/1996	Welschoff et al.	D28/7
5,820,285	A *	10/1998	Ikeda et al.	401/199
D408,450	S *	4/1999	Kamei	D19/55
D411,035	S *	6/1999	Welschoff	D28/85
6,135,659	A *	10/2000	Ku	401/4
6,280,109	B1	8/2001	Serratore	
D449,071	S *	10/2001	Kirita	D19/55

6,368,004	B2 *	4/2002	Yoshida et al.	401/199
6,416,242	B1 *	7/2002	Kaufmann	401/198
6,439,793	B1 *	8/2002	Nishitani et al.	401/261
6,474,893	B1 *	11/2002	Osada et al.	401/198
6,582,142	B2 *	6/2003	Keller et al.	401/11
6,832,867	B2 *	12/2004	Sandbach et al.	401/17
7,001,094	B2 *	2/2006	Ami et al.	401/199
7,290,955	B2 *	11/2007	Patel et al.	401/264
7,320,553	B1	1/2008	Nunez	
D601,191	S *	9/2009	Hung	D19/36

* cited by examiner

Primary Examiner — Elizabeth Albert

(74) *Attorney, Agent, or Firm* — Head, Johnson & Kachigian, P.C.

(57) **CLAIM**

The ornamental design for a highlighter nib, as shown and described.

DESCRIPTION

FIG. 1 is a side view of a highlighter nib of the claimed design shown on a highlighter;

FIG. 2 is an enlarged side view of the highlighter nib of FIG. 1;

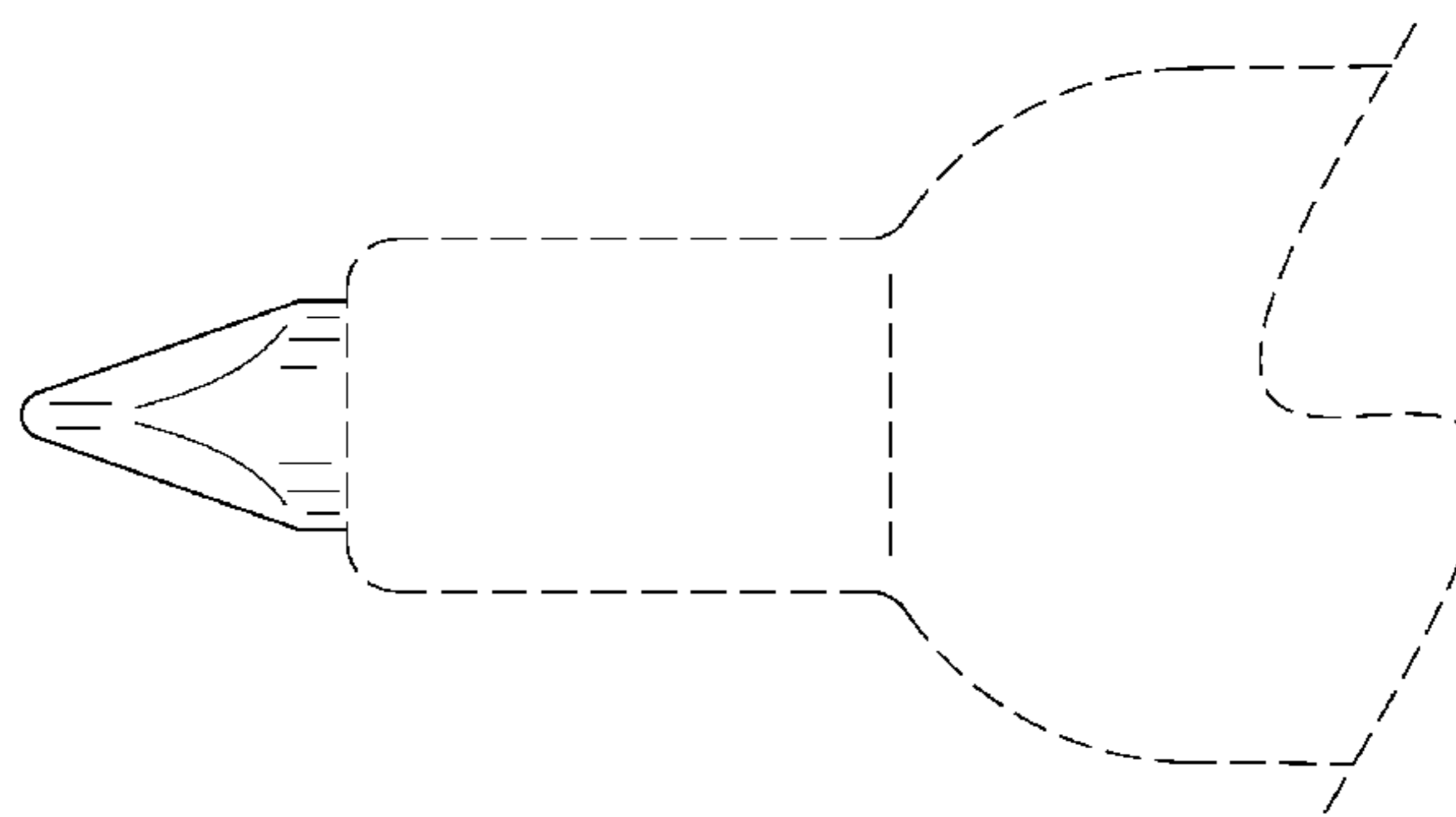
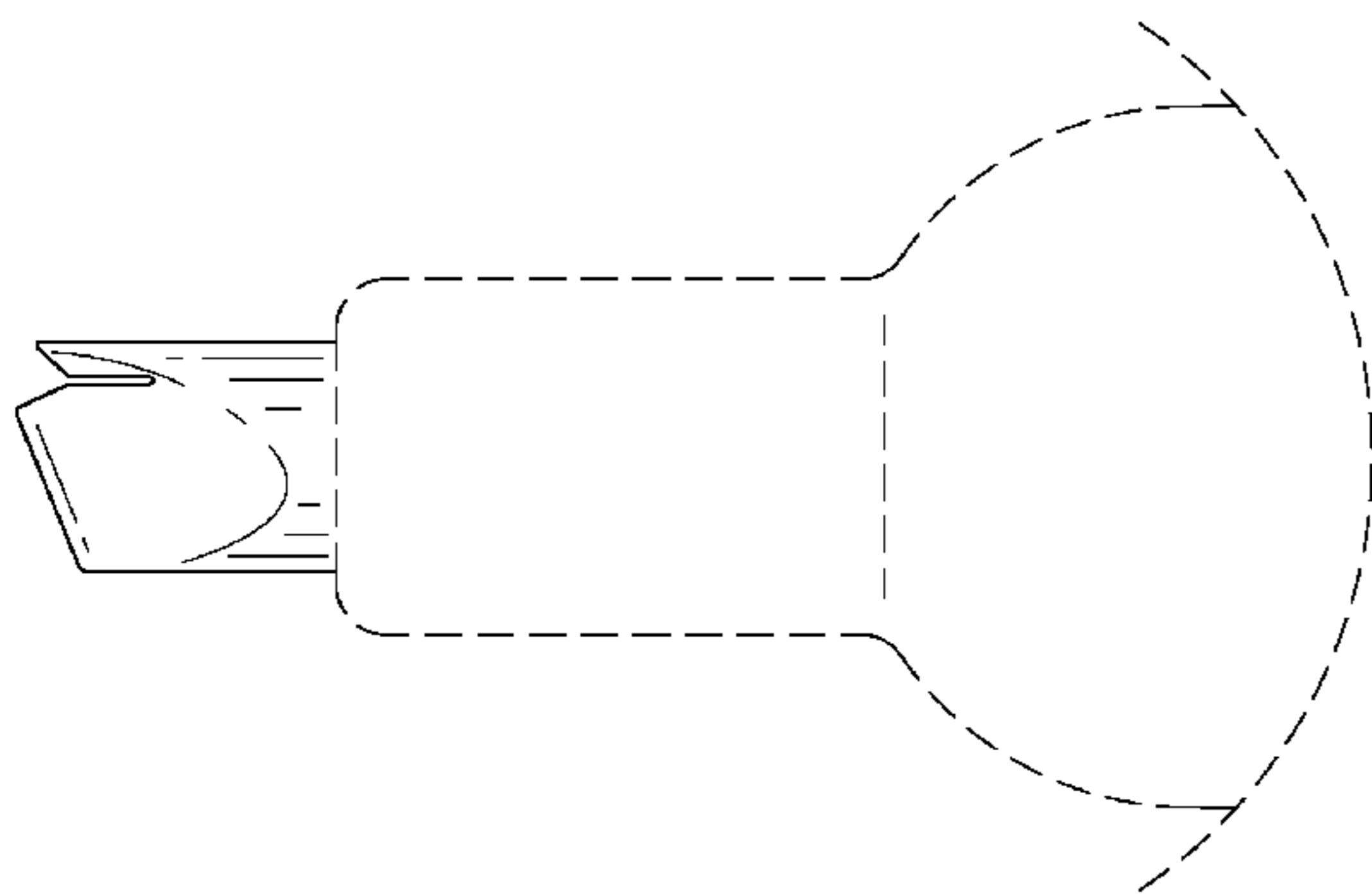
FIG. 3 is a front view thereof;

FIG. 4 is a top view thereof; and,

FIG. 5 is a bottom view thereof.

The broken lines showing the nib housing and the highlighter body in FIGS. 1-5 are included for the purpose of illustrating portions of the highlighter that form no part of the claimed design.

1 Claim, 3 Drawing Sheets



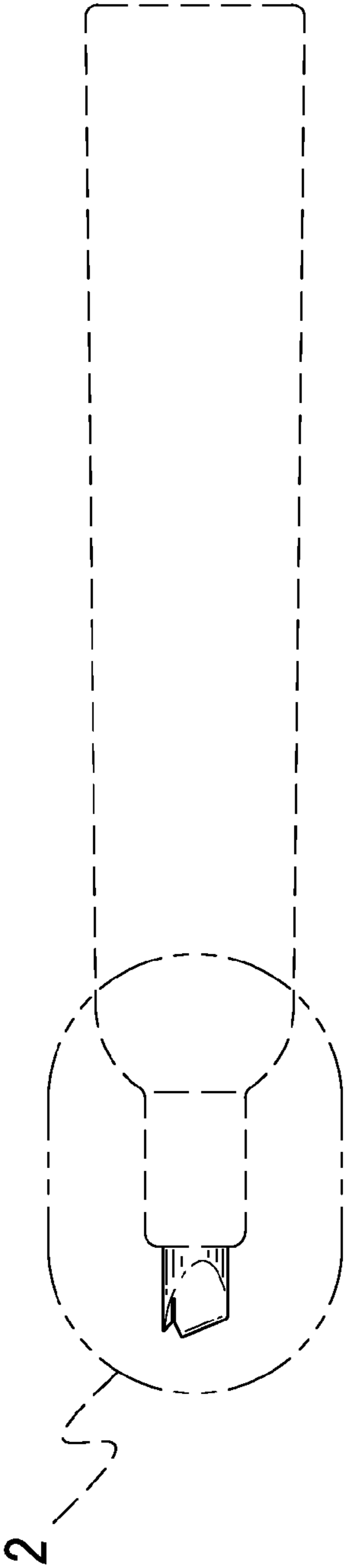


FIG. 1

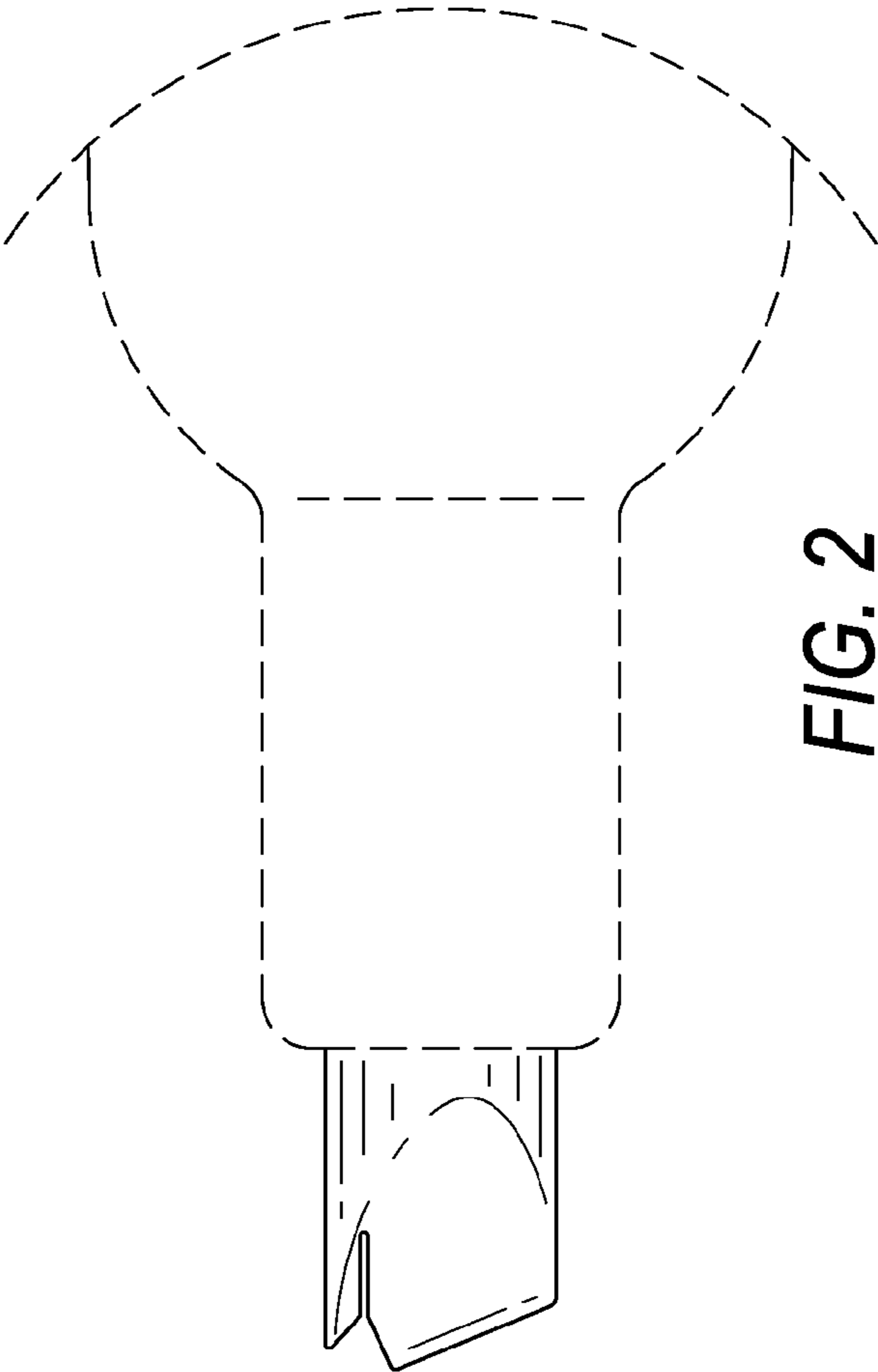


FIG. 2

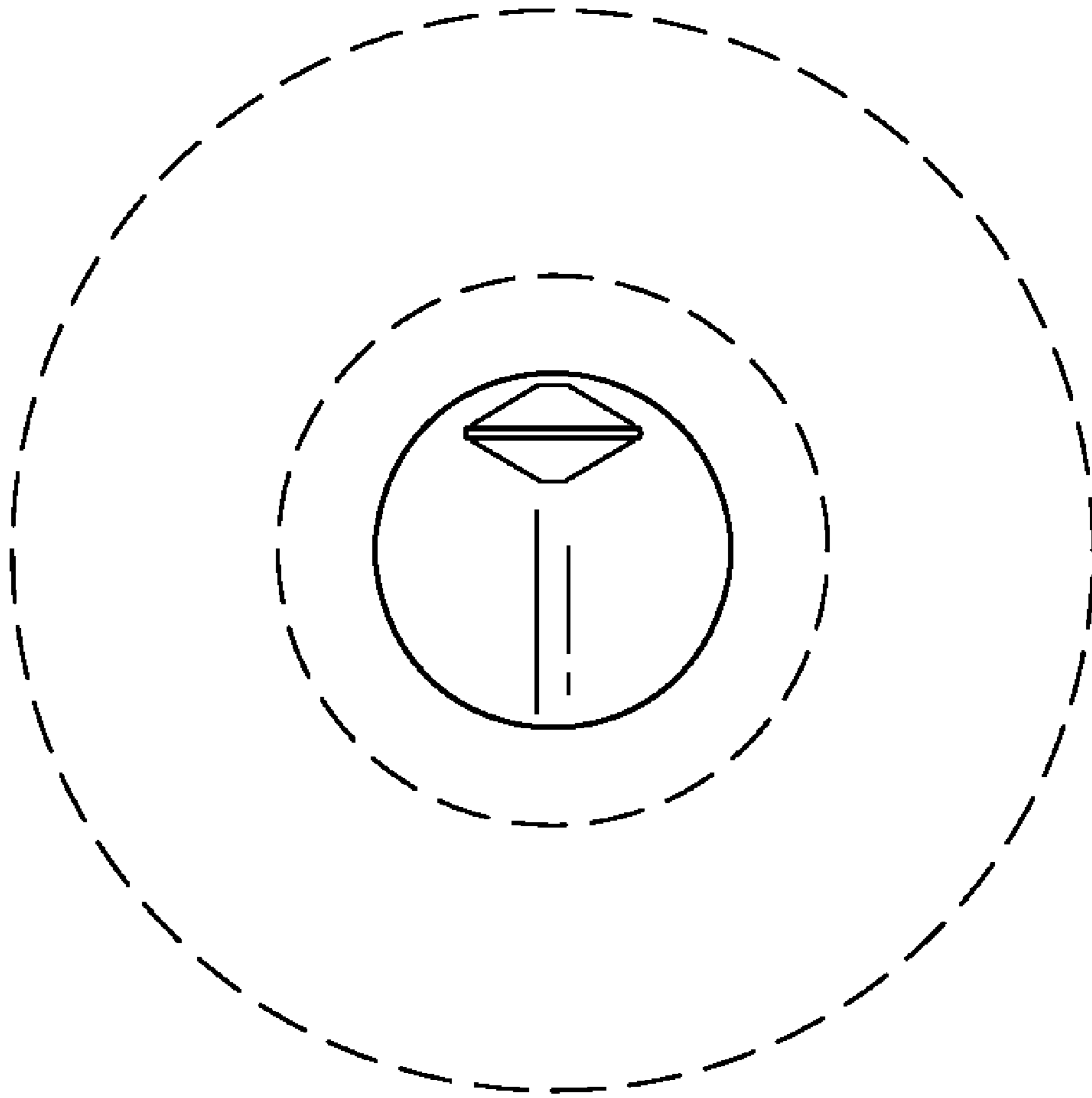


FIG. 3

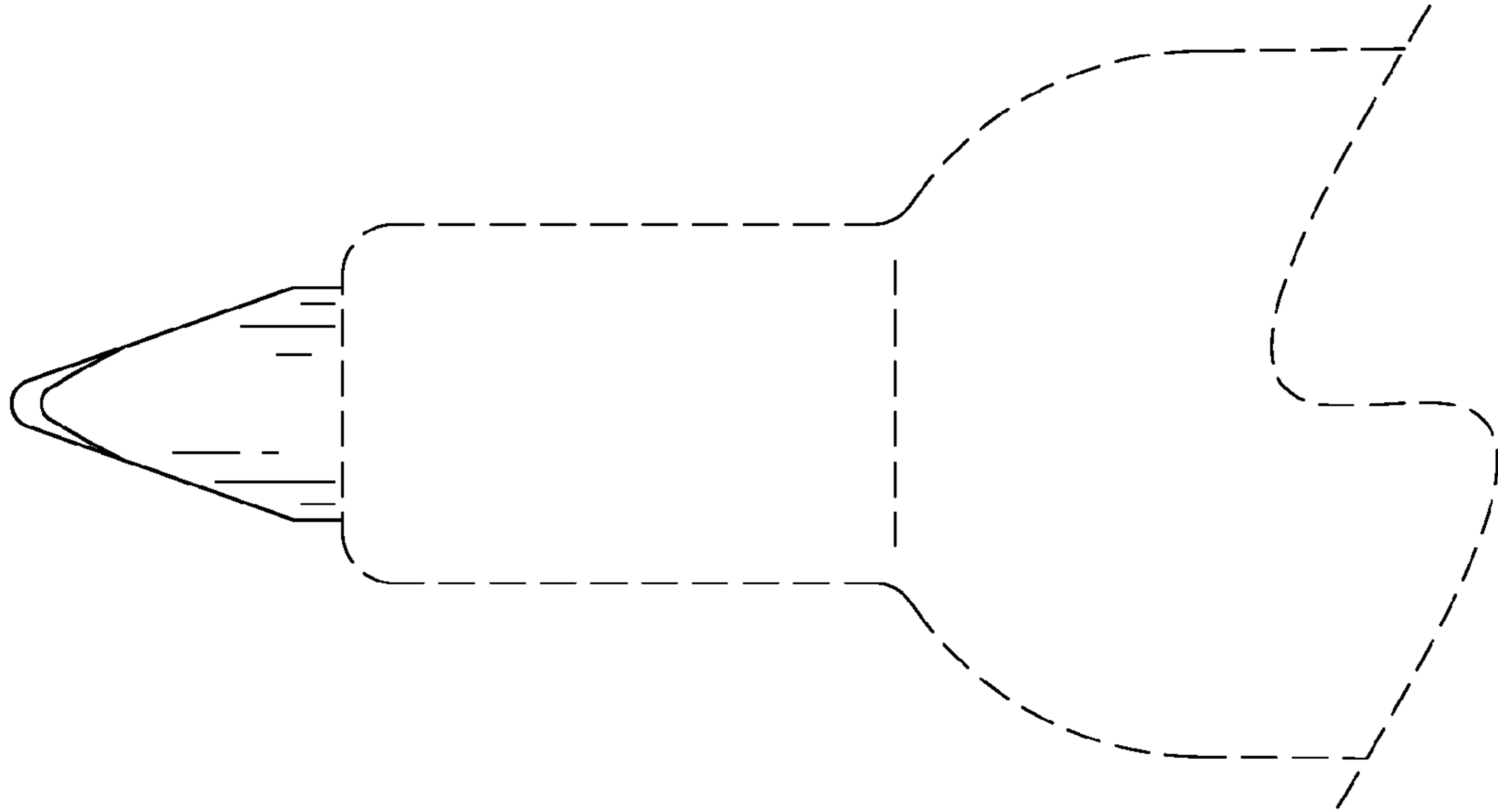


FIG. 4

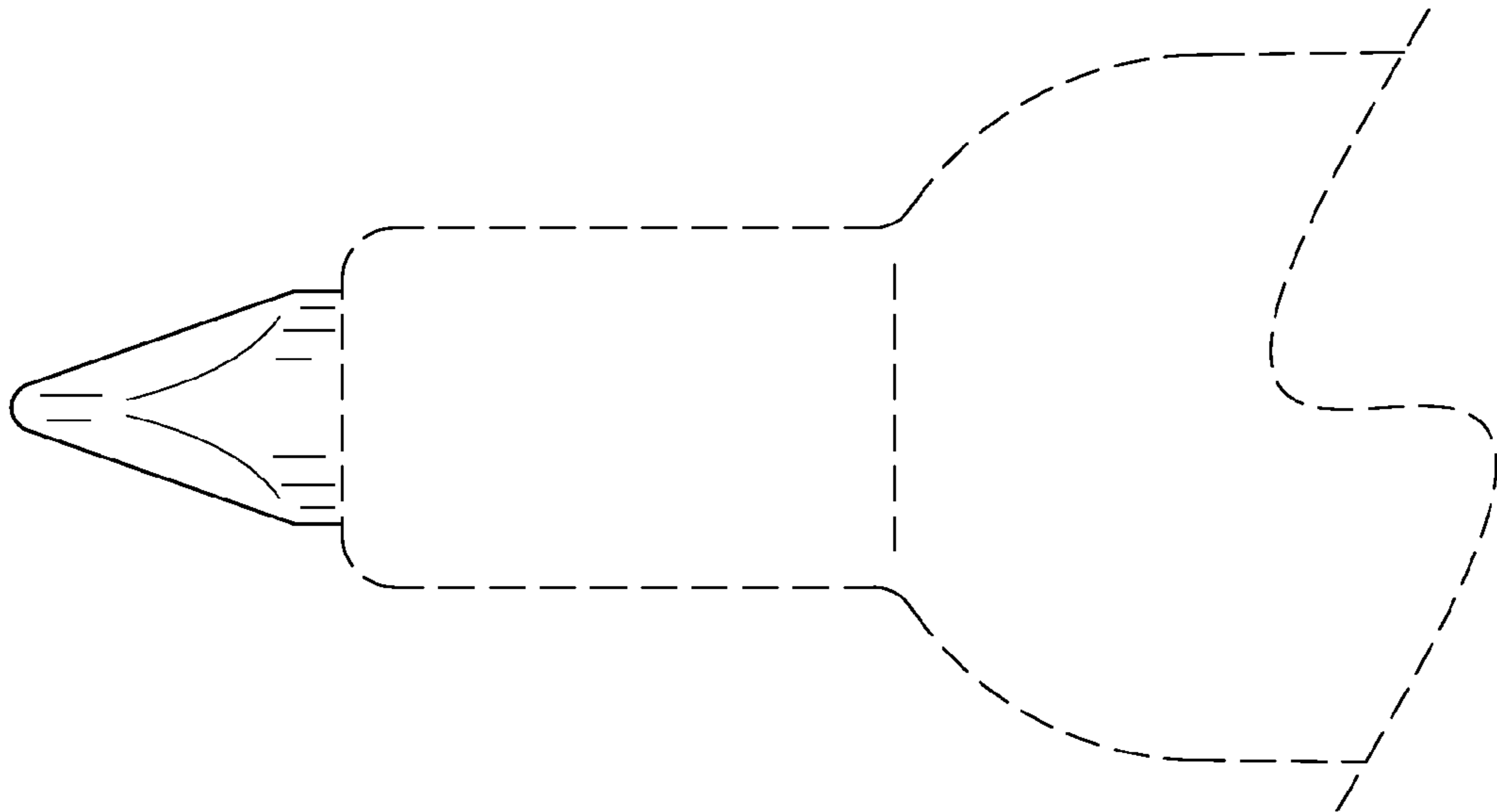


FIG. 5