



US00D643065S

(12) **United States Design Patent**
van der Lande

(10) **Patent No.:** **US D643,065 S**

(45) **Date of Patent:** **** Aug. 9, 2011**

(54) **CAT LED PEN**

(75) **Inventor:** **Jan van der Lande**, New York, NY (US)

(73) **Assignee:** **Kikkerland Design, Inc.**, New York, NY (US)

(**) **Term:** **14 Years**

(21) **Appl. No.:** **29/367,219**

(22) **Filed:** **Aug. 4, 2010**

(51) **LOC (9) Cl.** **19-06**

(52) **U.S. Cl.** **D19/42**

(58) **Field of Classification Search** D14/411,
D14/431; D19/35, 36, 41, 42, 43, 44, 45,
D19/46, 47, 48, 49, 50, 51, 54, 55, 56, 57;
D21/469; 24/11 F, 11 P, 11 R; 401/34, 52,
401/99, 100, 104, 105, 106, 107, 108, 109,
401/192, 195, 196

See application file for complete search history.

(56) **References Cited**

U.S. PATENT DOCUMENTS

D66,391 S *	1/1925	Munro	D11/158
D66,392 S *	1/1925	Munro	D11/158
D66,393 S *	1/1925	Munro	D11/158
D155,069 S *	9/1949	Borrok	D26/98

D163,779 S *	6/1951	Ulvad	D19/42
D458,759 S *	6/2002	Landauer	D4/113
D482,393 S *	11/2003	Hui	D19/36
D511,044 S *	11/2005	Berde	D4/105
D596,229 S *	7/2009	van der Lande	D19/42
D596,666 S *	7/2009	van der Lande	D19/42
D596,667 S *	7/2009	van der Lande	D19/42
D599,853 S *	9/2009	van der Lande	D19/42
D599,927 S *	9/2009	van der Lande	D26/47
D605,225 S *	12/2009	Wen et al.	D19/42
D639,299 S *	6/2011	Schwartz	D14/403

* cited by examiner

Primary Examiner — Karen E Eldridge Powers

(74) *Attorney, Agent, or Firm* — Cascio & Zervas

(57) **CLAIM**

The ornamental design for a cat LED pen, as shown and described.

DESCRIPTION

FIG. 1 is a front elevational view of the cat LED pen showing my design;

FIG. 2 is a rear elevational view thereof;

FIG. 3 is a left side elevational view thereof;

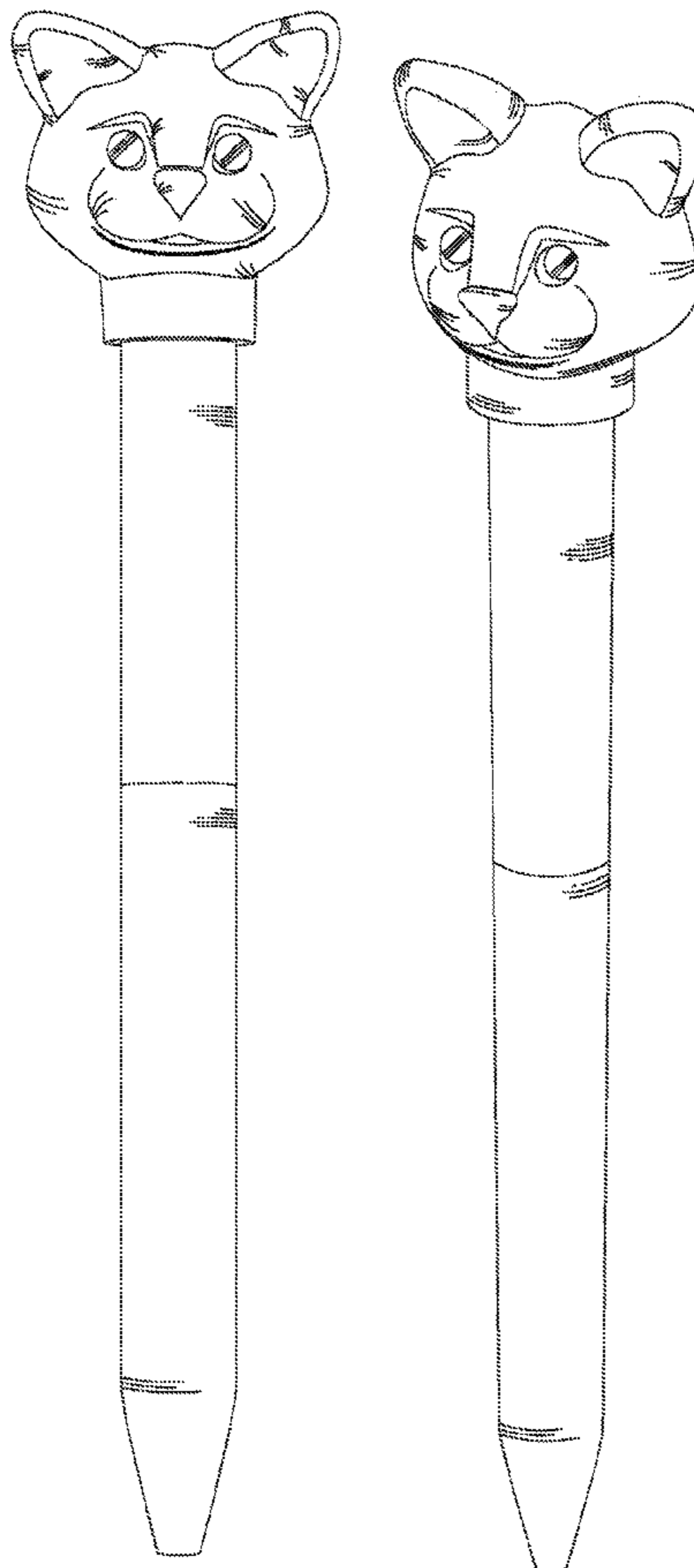
FIG. 4 is a right side elevational view thereof;

FIG. 5 is a bottom plan view thereof;

FIG. 6 is a top plan view thereof; and,

FIG. 7 is a front perspective view thereof.

1 Claim, 3 Drawing Sheets



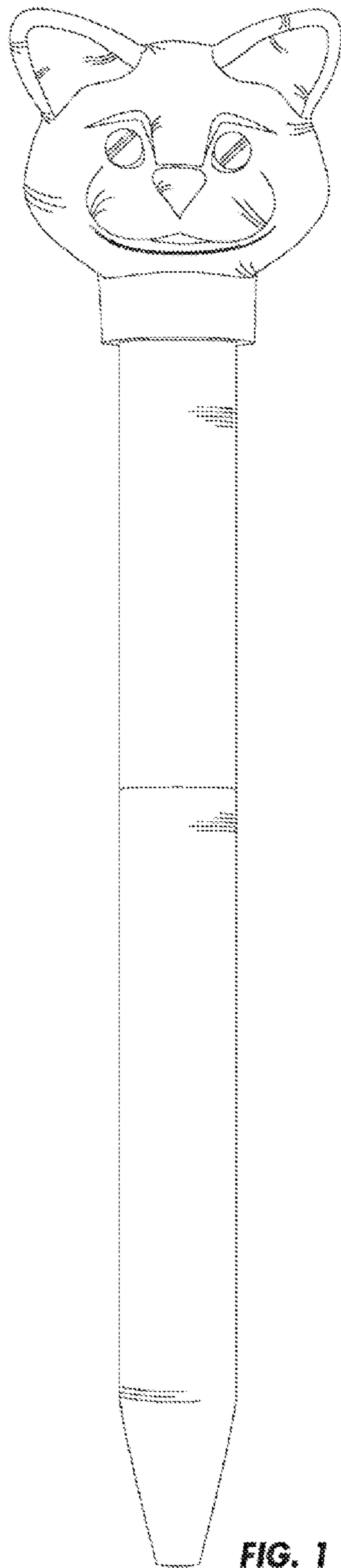


FIG. 1

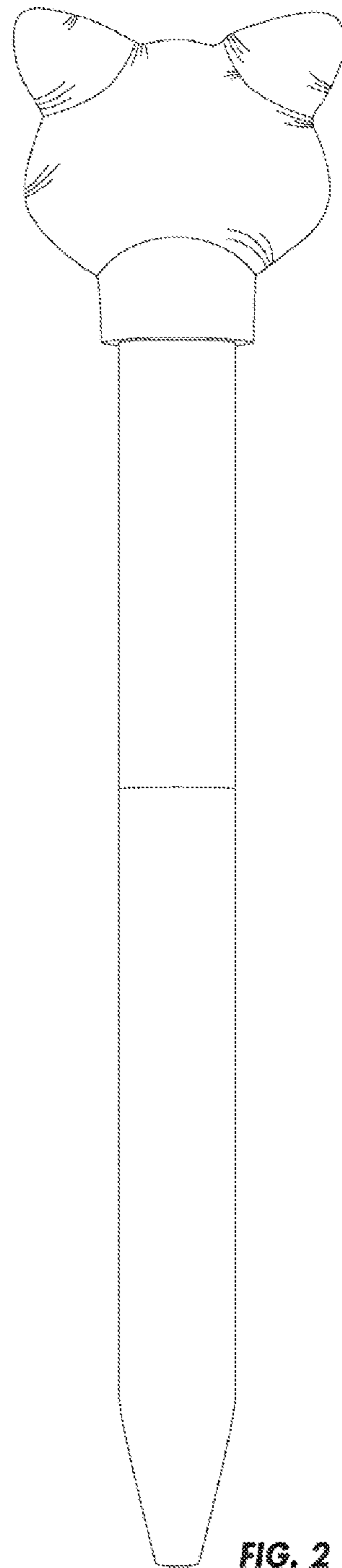


FIG. 2

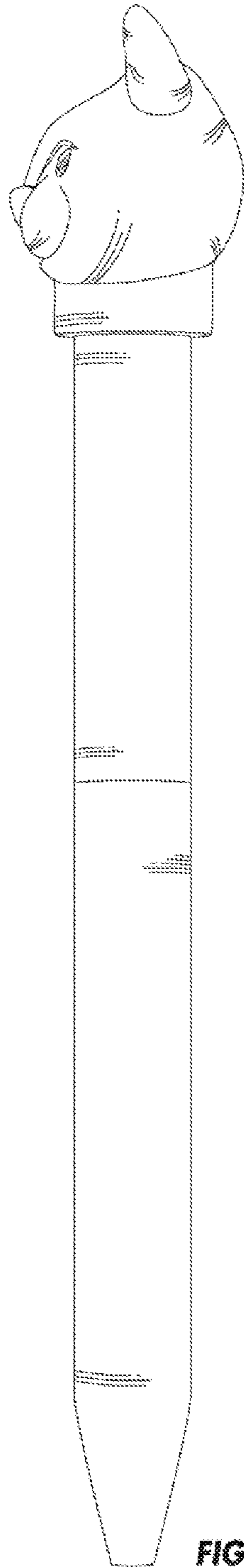


FIG. 3

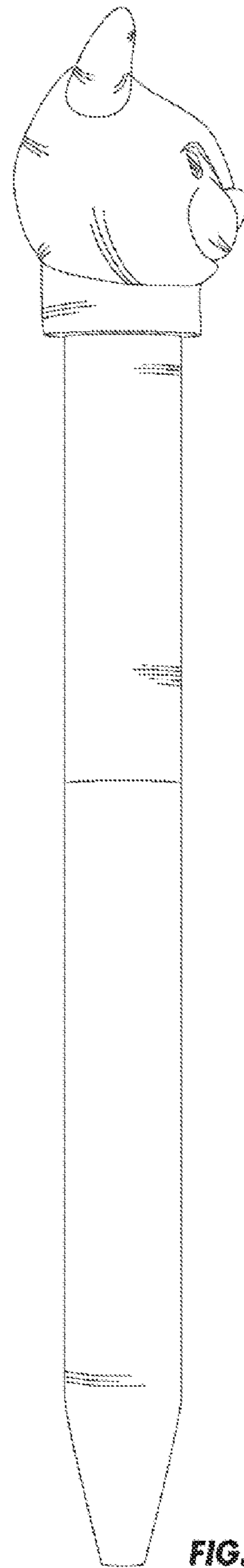


FIG. 4

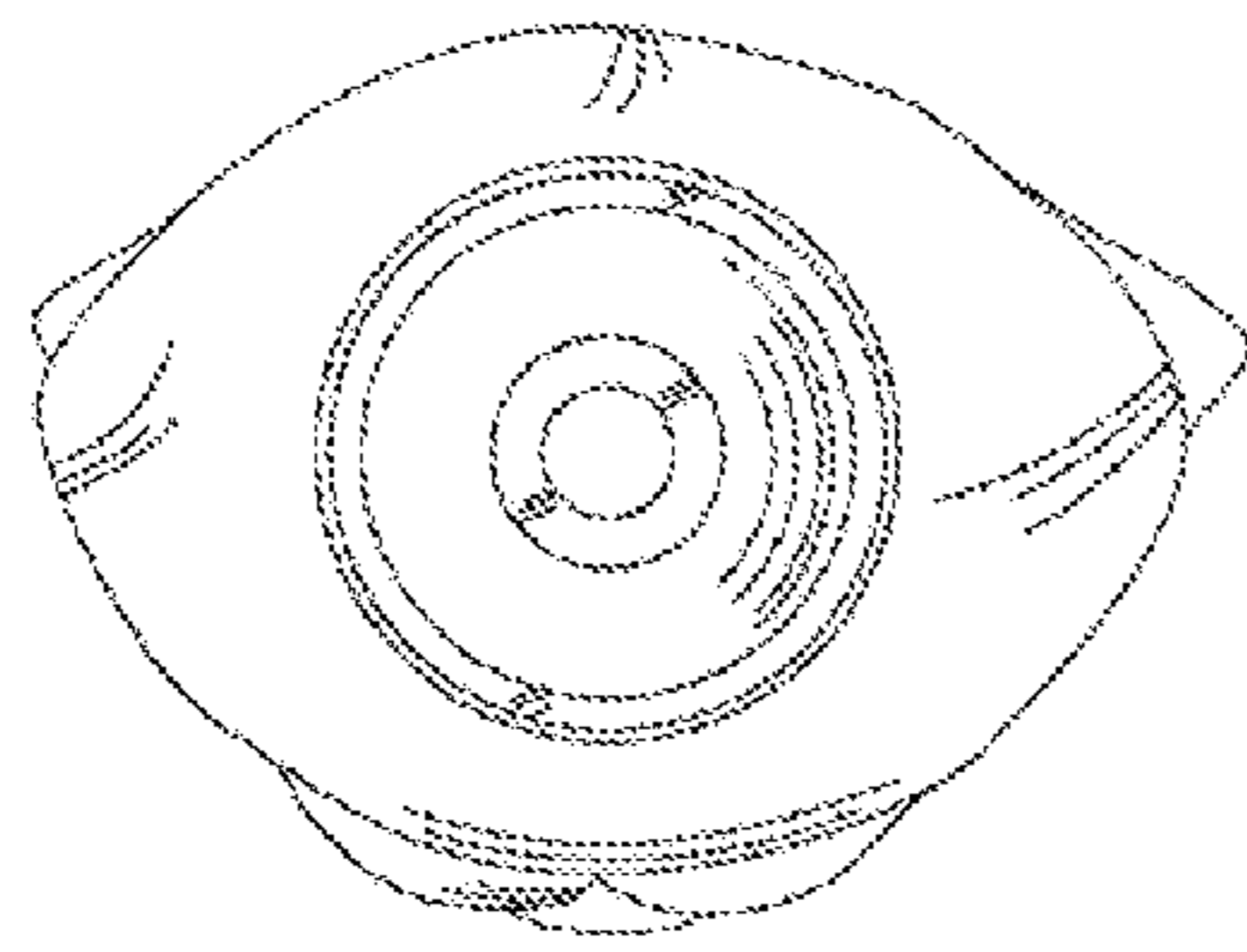


FIG. 5

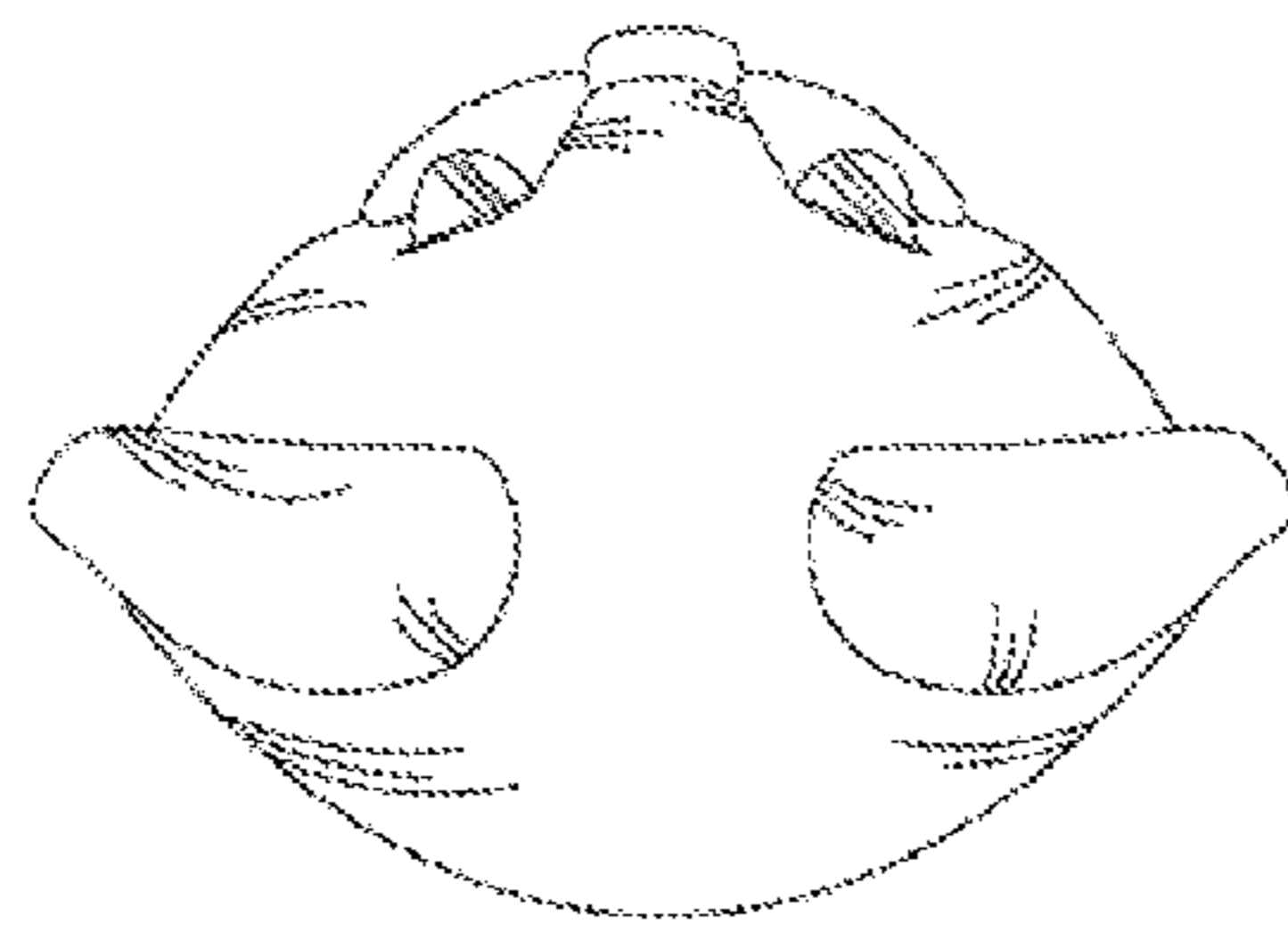


FIG. 6

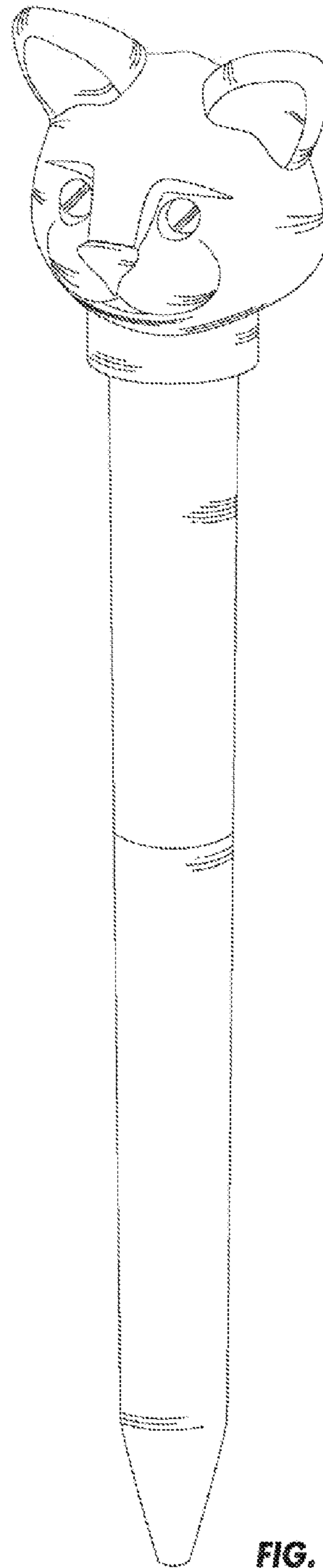


FIG. 7