



US00D643059S

(12) **United States Design Patent**
Aznoe et al.

(10) **Patent No.:** **US D643,059 S**
(45) **Date of Patent:** **** Aug. 9, 2011**

(54) **INK STICK FOR A PHASE CHANGE INK JET PRINTER**

(75) Inventors: **Brian Walter Aznoe**, Sherwood, OR (US); **Jonathan R Ritter**, Cupertino, CA (US); **Brent Rodney Jones**, Sherwood, OR (US); **Christopher R Gold**, Tigard, OR (US)

(73) Assignee: **Xerox Corporation**, Norwalk, CT (US)

(**) Term: **14 Years**

(21) Appl. No.: **29/375,684**

(22) Filed: **Sep. 27, 2010**

(51) **LOC (9) Cl.** **18-02**

(52) **U.S. Cl.** **D18/56**

(58) **Field of Classification Search** D18/56;
347/88, 99; 106/31.29, 31.61
See application file for complete search history.

(56) **References Cited**

U.S. PATENT DOCUMENTS

D453,787 S *	2/2002	Mattern	D18/56
D482,388 S *	11/2003	Jones	D18/56
D500,784 S *	1/2005	Jones et al.	D18/56
D500,786 S *	1/2005	Jones et al.	D18/56
D518,097 S *	3/2006	Jones	D18/56
D519,553 S *	4/2006	Jones	D18/56

D527,762 S *	9/2006	Jones	D18/56
D529,085 S *	9/2006	Jones et al.	D18/56
D535,689 S *	1/2007	Jones et al.	D18/56
D537,116 S *	2/2007	Jones et al.	D18/56
D537,874 S *	3/2007	Korn et al.	D18/56
D623,686 S *	9/2010	Gold et al.	D18/56
D628,622 S *	12/2010	Gold et al.	D18/56

* cited by examiner

Primary Examiner — David Muller

(74) *Attorney, Agent, or Firm* — Tallam I. Nguti

(57) **CLAIM**

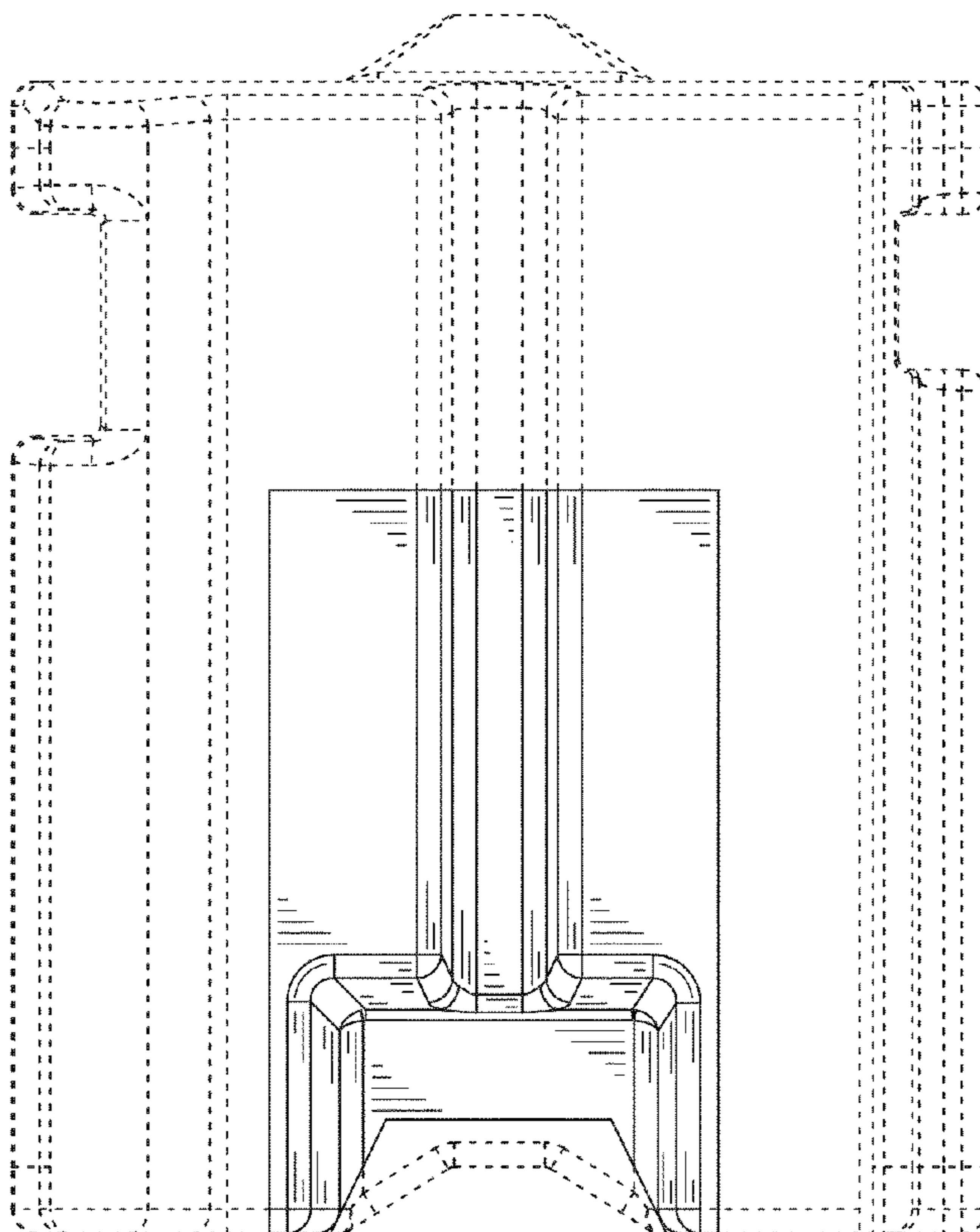
The ornamental design for an ink stick for a phase change ink jet printer, as shown and described.

DESCRIPTION

FIG. 1 is a perspective view of an ink stick for a phase change ink jet printer in accordance with the present invention; FIG. 2 is a front elevation view thereof; FIG. 3 is a right side elevation view thereof; FIG. 4 is a rear elevation view thereof; FIG. 5 is a left side elevation view thereof; FIG. 6 is a top plan view thereof; and, FIG. 7 is a bottom plan view thereof.

The features shown in broken lines in the drawing figures depict environmental subject matter only and form no part of the claimed design.

1 Claim, 7 Drawing Sheets



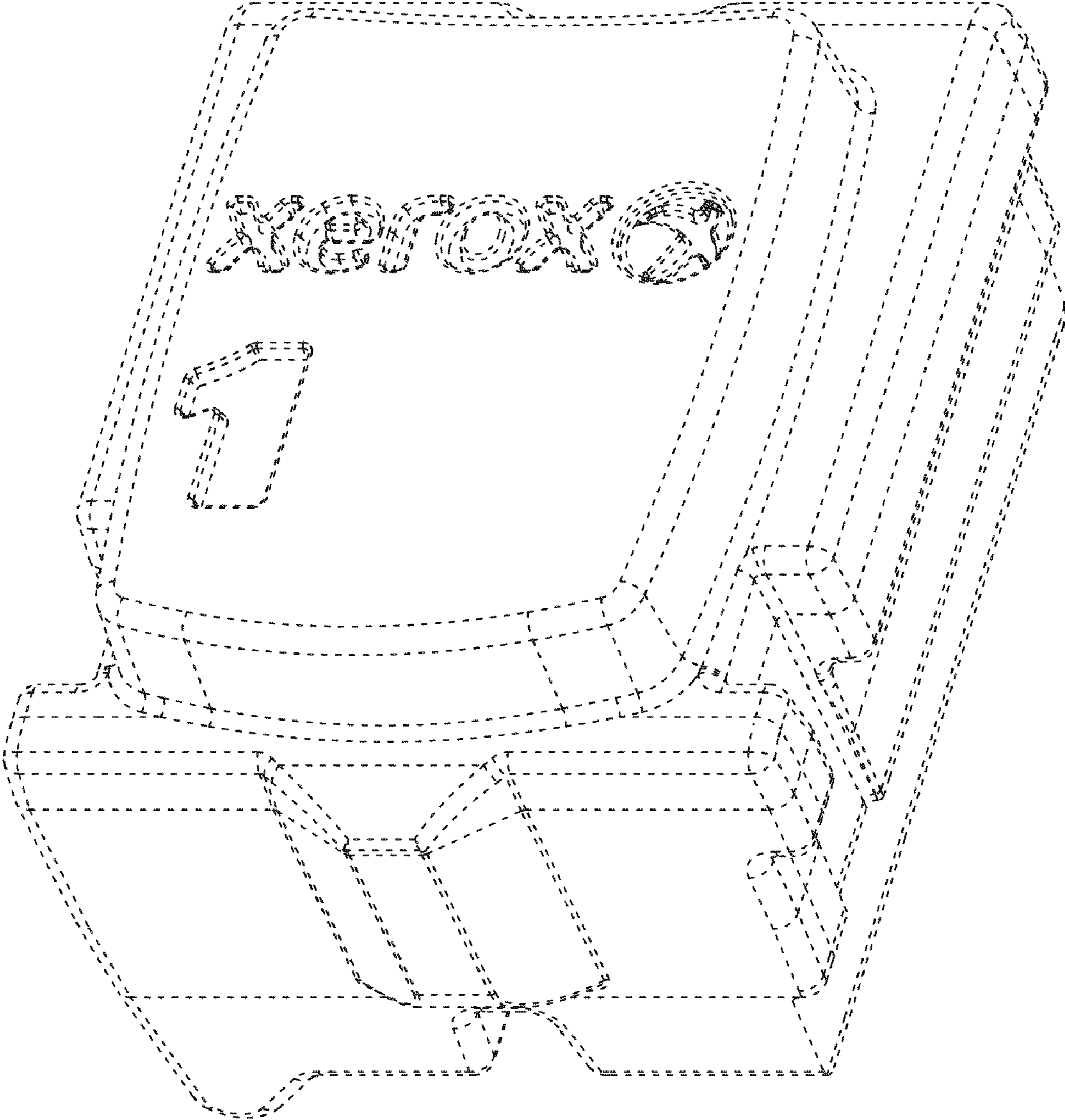


FIG. 1

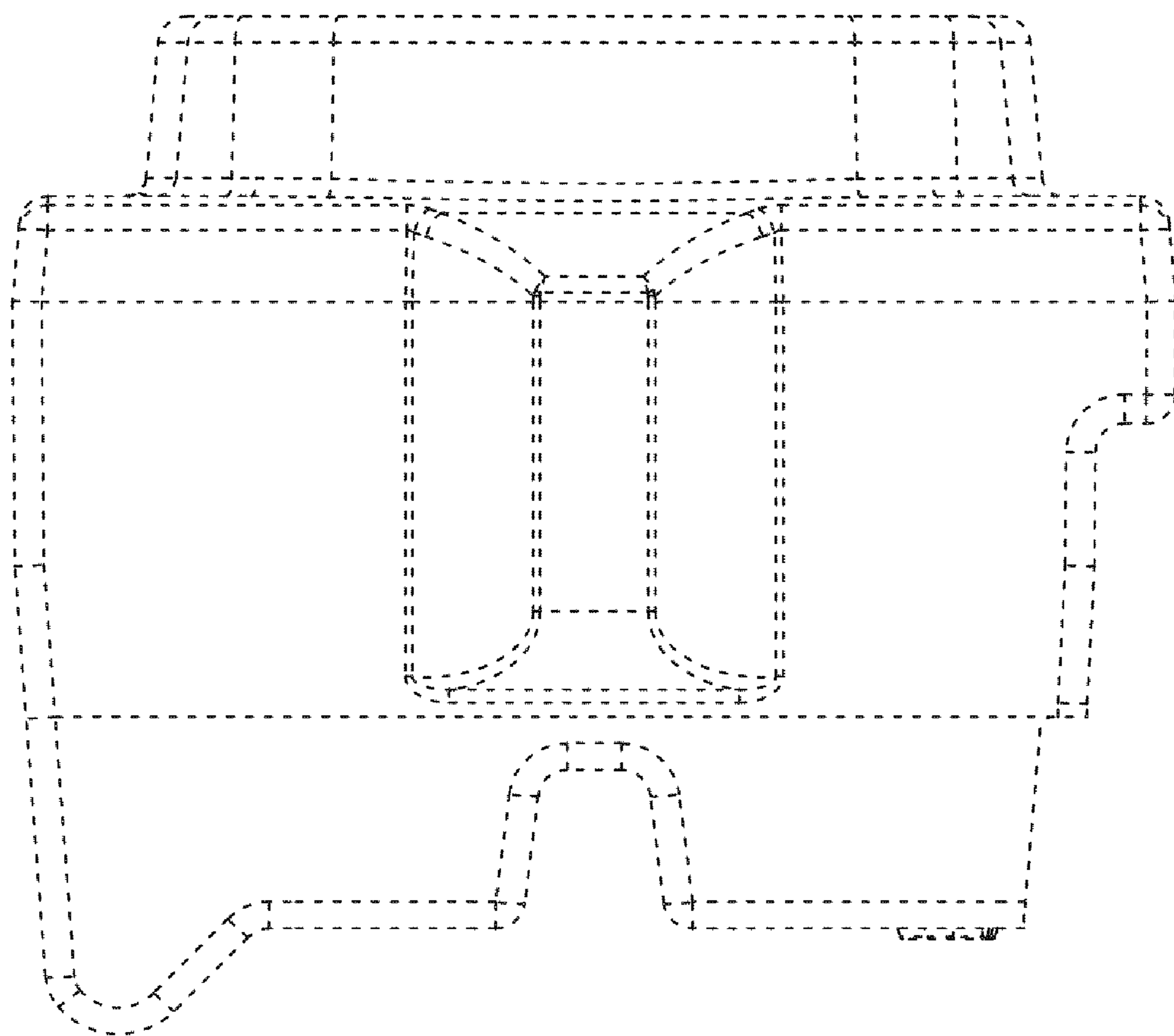


FIG. 2

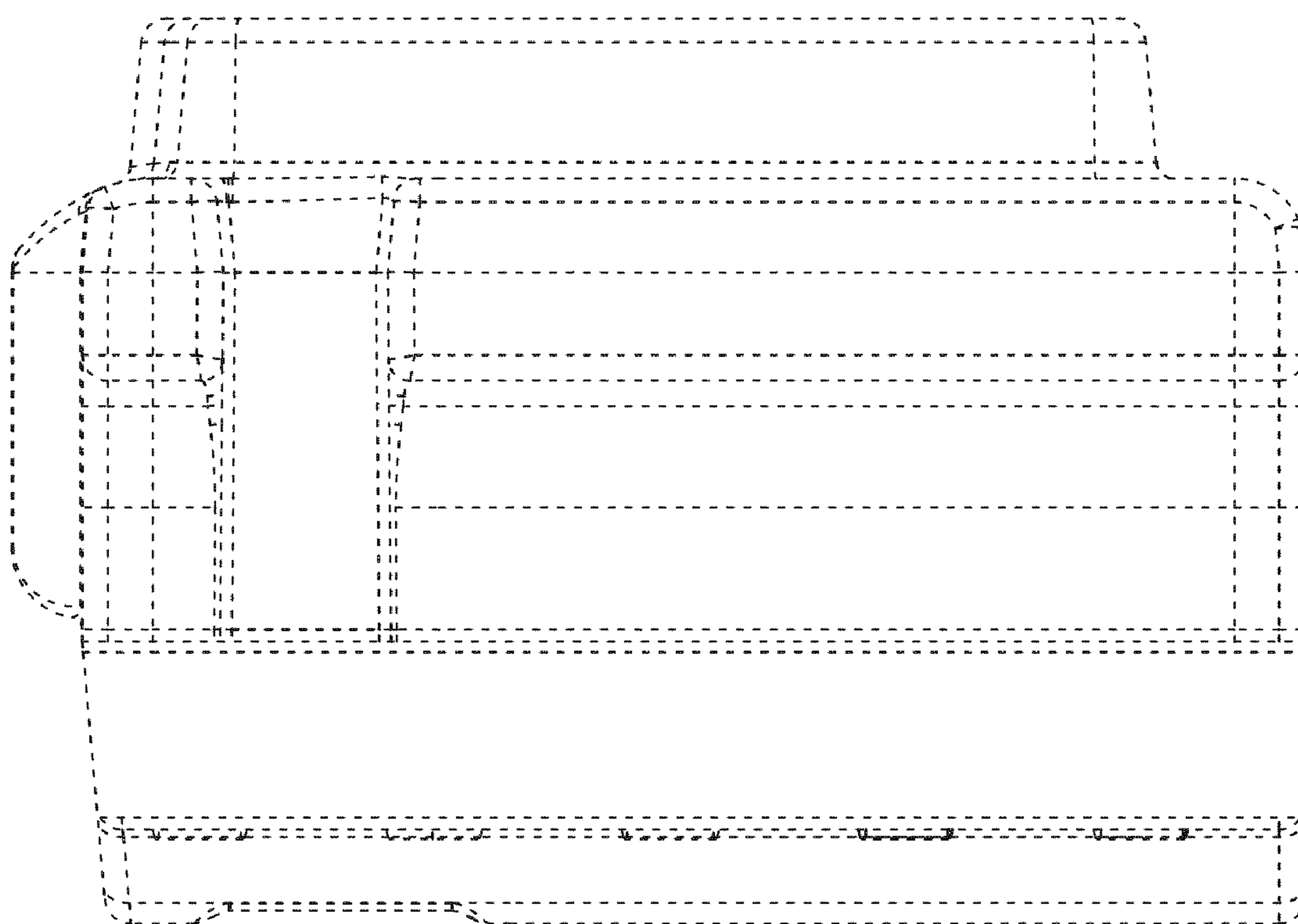


FIG. 3

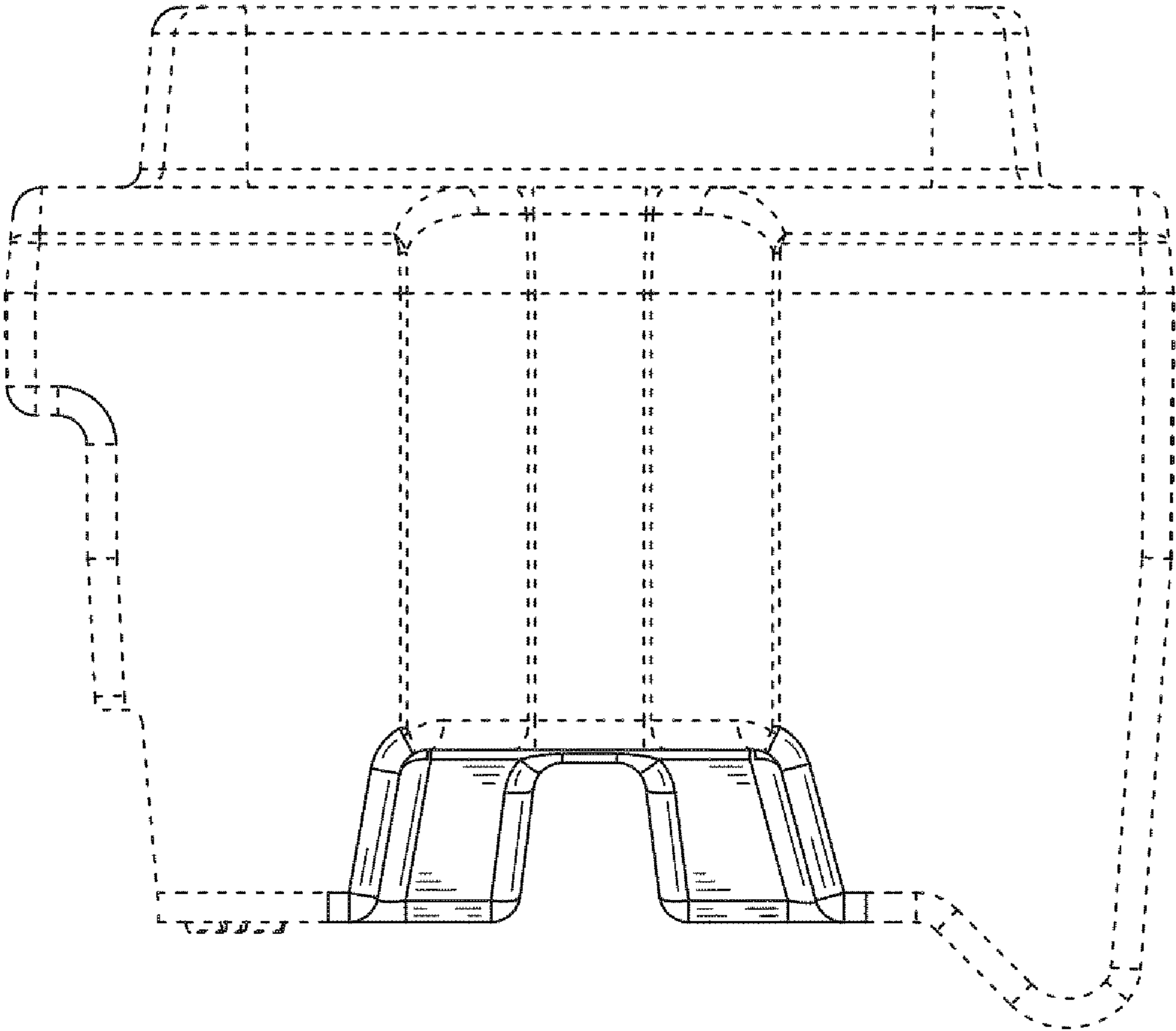


FIG. 4

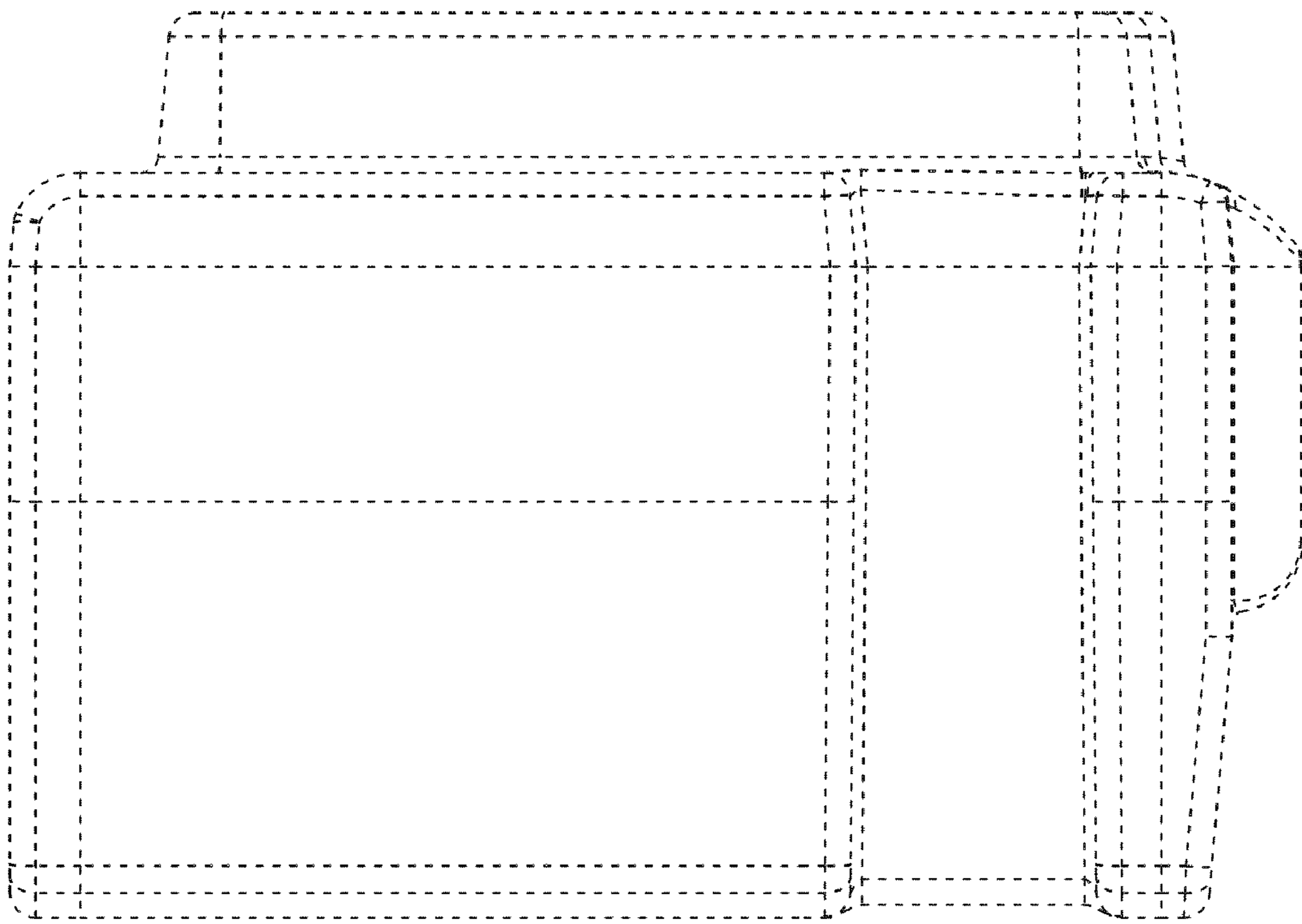


FIG. 5

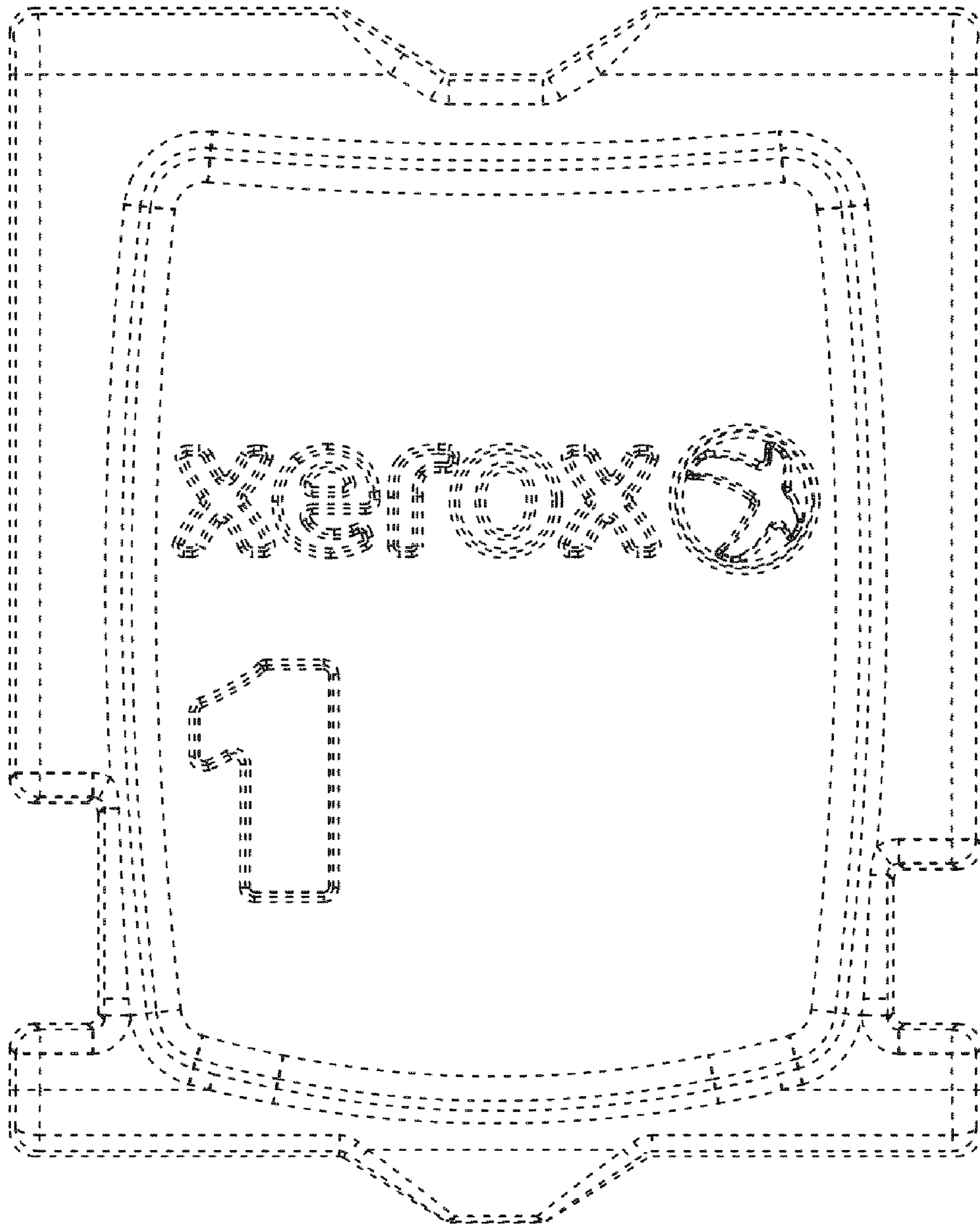


FIG. 6

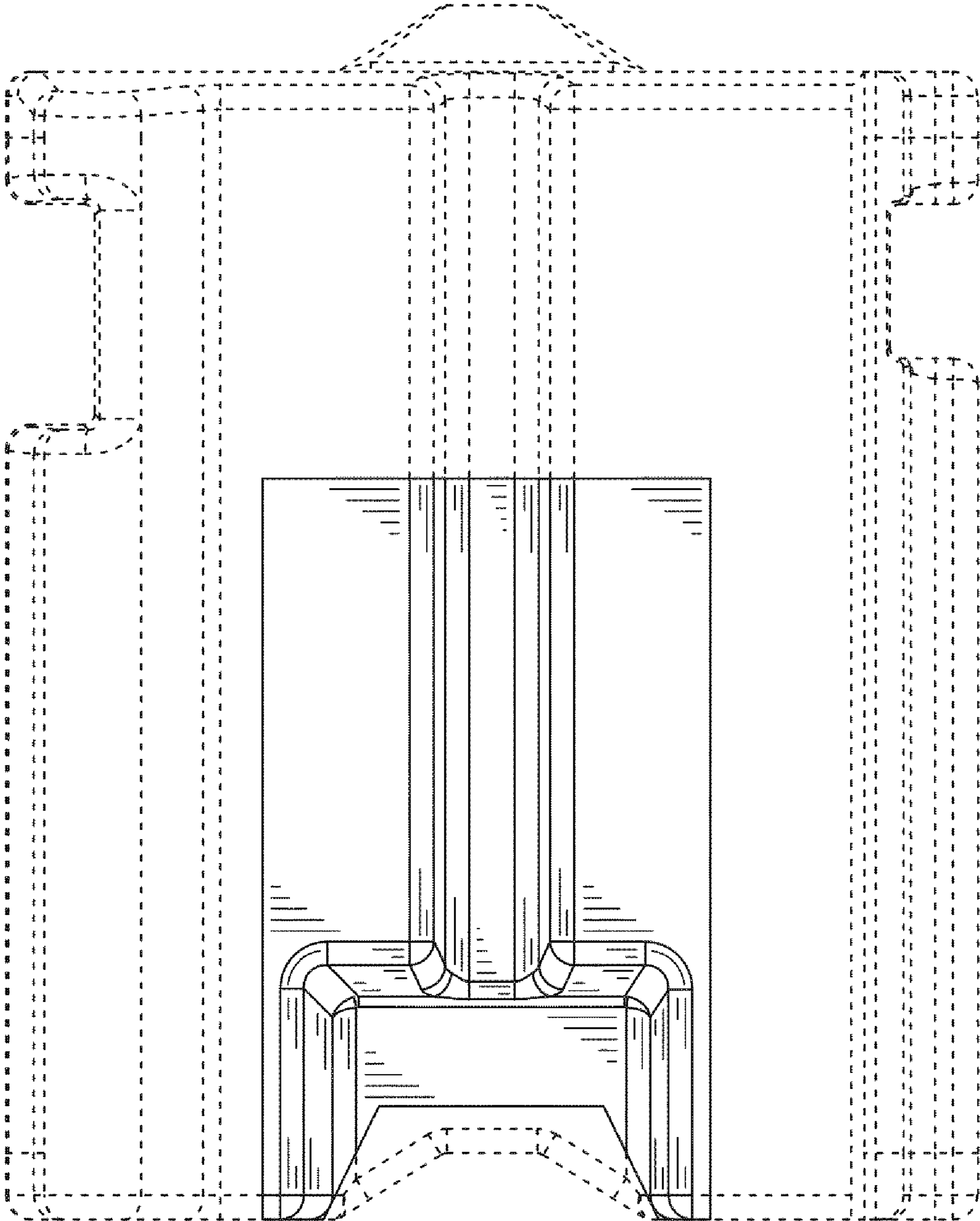


FIG. 7