



US00D643058S

(12) **United States Design Patent**
Seki et al.

(10) **Patent No.:** **US D643,058 S**

(45) **Date of Patent:** **** Aug. 9, 2011**

(54) **PRINTER**

(75) Inventors: **Yusaku Seki**, Nagoya (JP); **Jiro Suzuki**, Nagoya (JP)

(73) Assignee: **Brother Industries, Ltd.**, Nagoya (JP)

(**) Term: **14 Years**

(21) Appl. No.: **29/369,099**

(22) Filed: **Sep. 2, 2010**

(30) **Foreign Application Priority Data**

Mar. 3, 2010 (JP) 2010-005047

(51) **LOC. (9) Cl.** **D14-02**
(52) **U.S. Cl.** **D18/55**

(58) **Field of Classification Search** D18/19,
D18/36-37, 50, 54-54.1, 55; D14/420-425,
D14/463-470; 400/613, 613.1-613.4, 690,
400/690.1-690.4, 691-694
See application file for complete search history.

(56) **References Cited**

U.S. PATENT DOCUMENTS

D523,071 S * 6/2006 Katayama et al. D18/50
D527,045 S * 8/2006 Lim et al. D18/50

D535,325 S * 1/2007 Yamaguchi D18/55
D555,722 S * 11/2007 Bae et al. D18/55
D558,264 S * 12/2007 Smith et al. D18/55
D578,494 S * 10/2008 Hattori D18/55
D607,047 S * 12/2009 Egami et al. D18/50
D617,829 S * 6/2010 Suzuki et al. D18/55
D633,557 S * 3/2011 Egami et al. D18/55

* cited by examiner

Primary Examiner — Cathy A MacCormac

(74) *Attorney, Agent, or Firm* — Oliff & Berridge, PLC

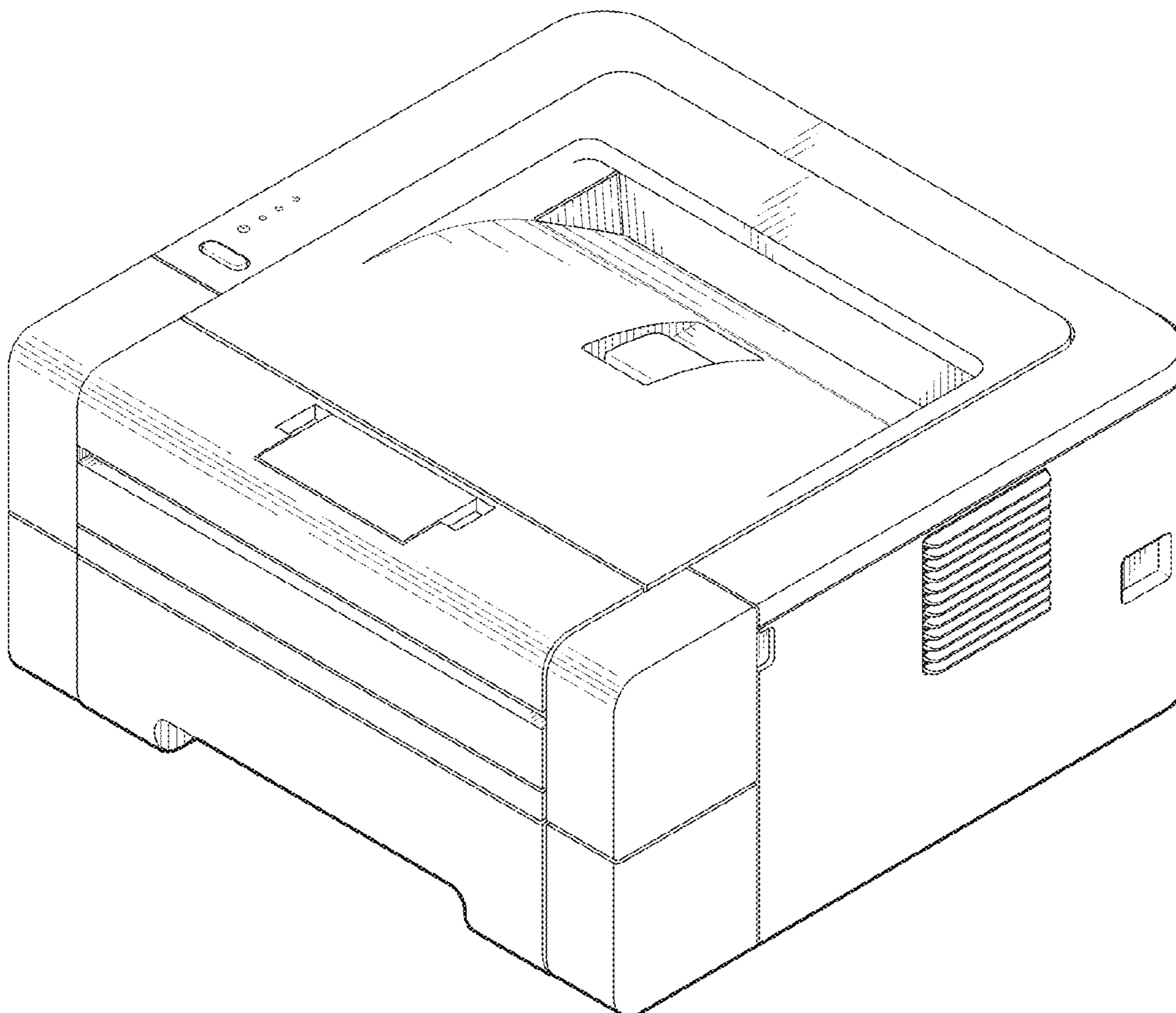
(57) **CLAIM**

The ornamental design for a printer, as shown and described.

DESCRIPTION

FIG. 1 is a perspective view of a printer;
FIG. 2 is a front view thereof;
FIG. 3 is a top view thereof;
FIG. 4 is a right-side view thereof;
FIG. 5 is a left-side view thereof;
FIG. 6 is a rear view thereof; and,
FIG. 7 is a bottom view thereof.

1 Claim, 6 Drawing Sheets



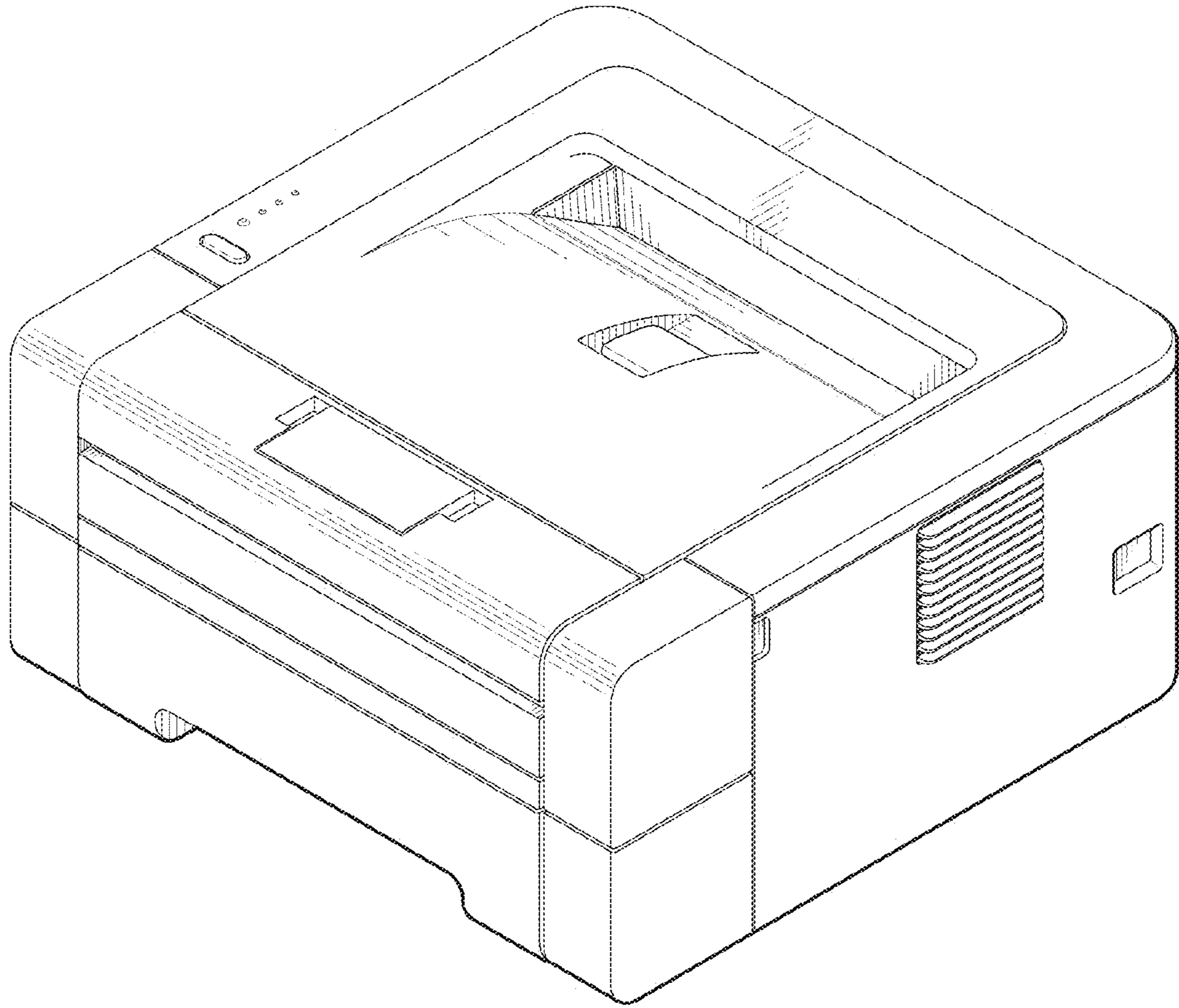


FIG. 1

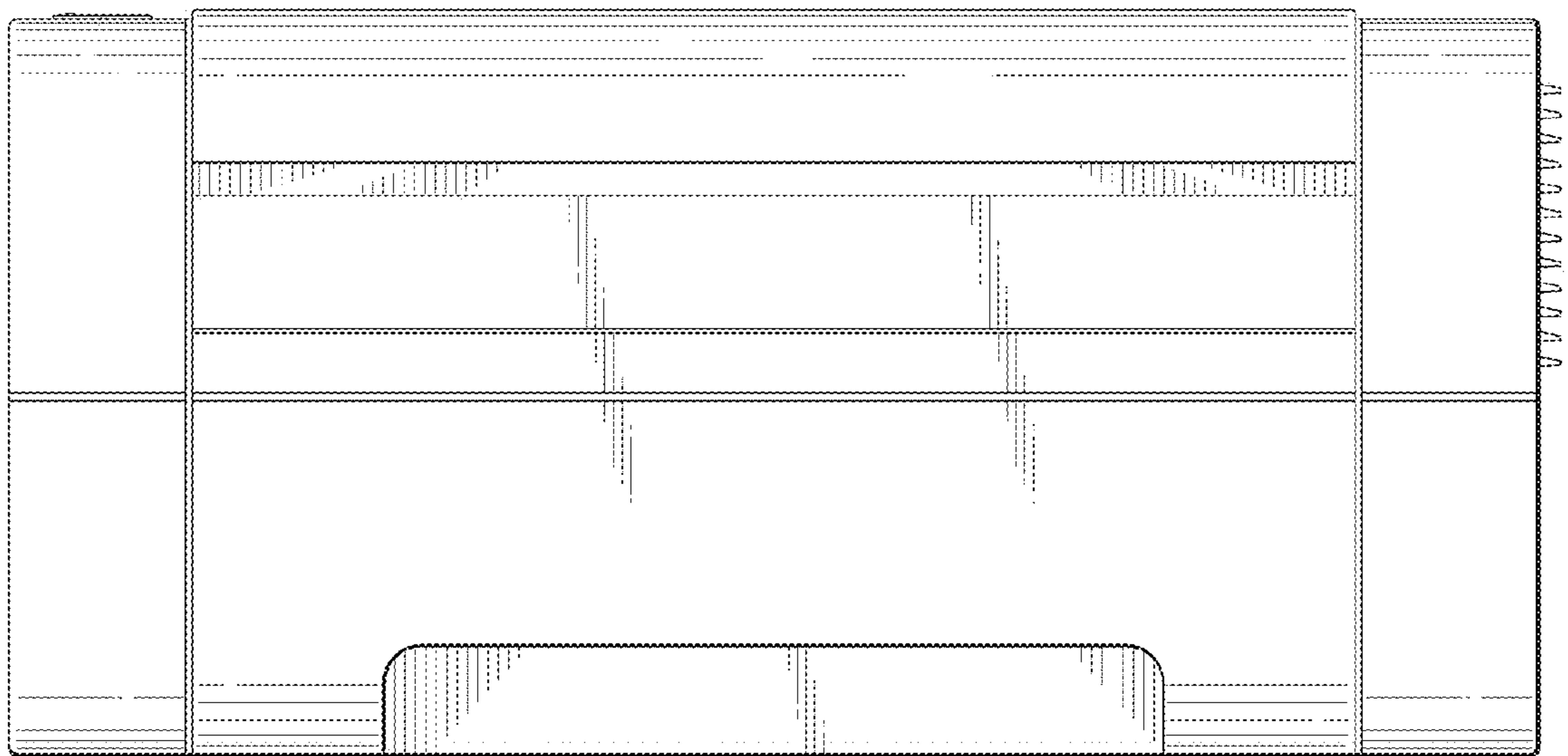


FIG. 2

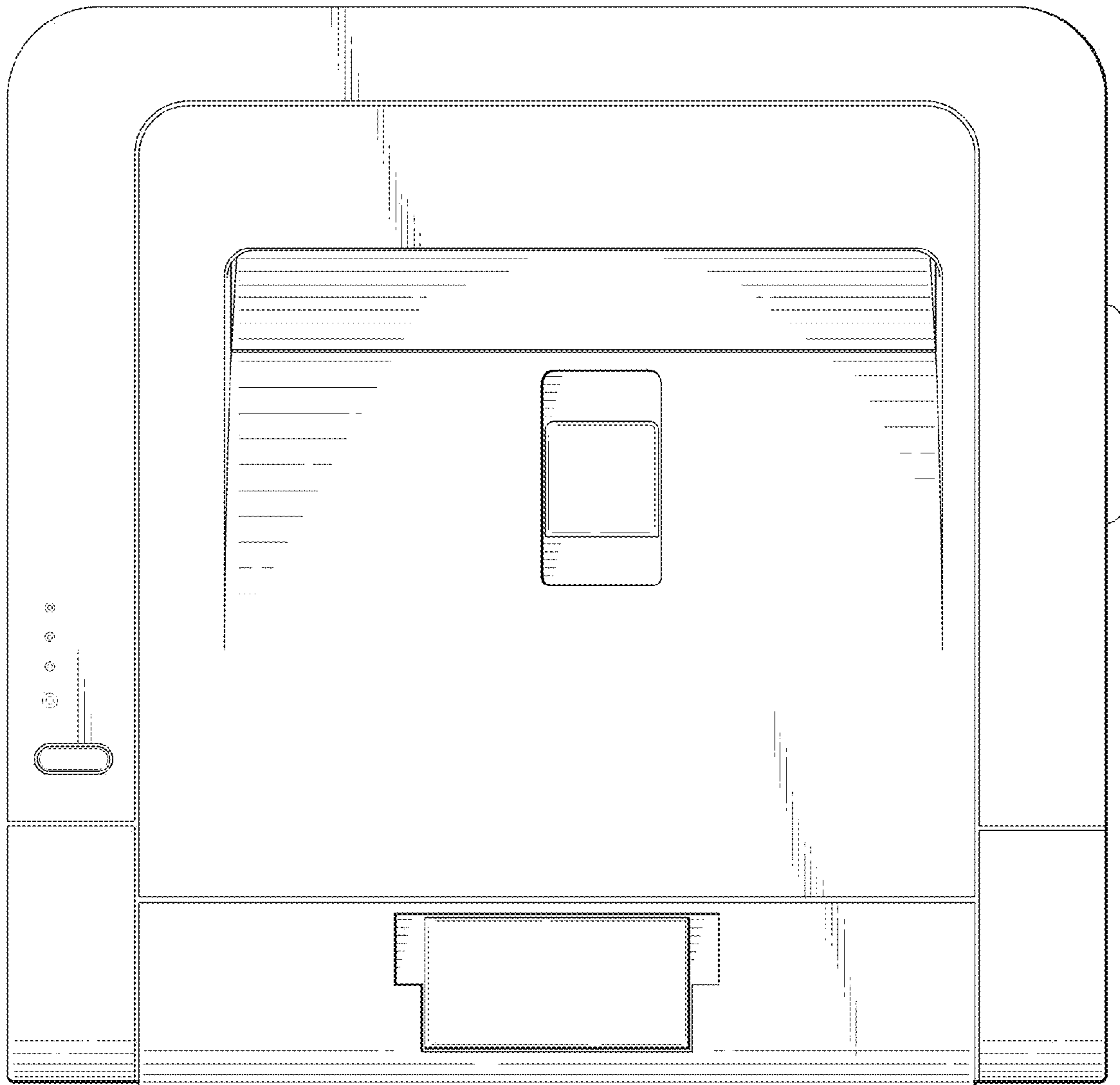


FIG. 3

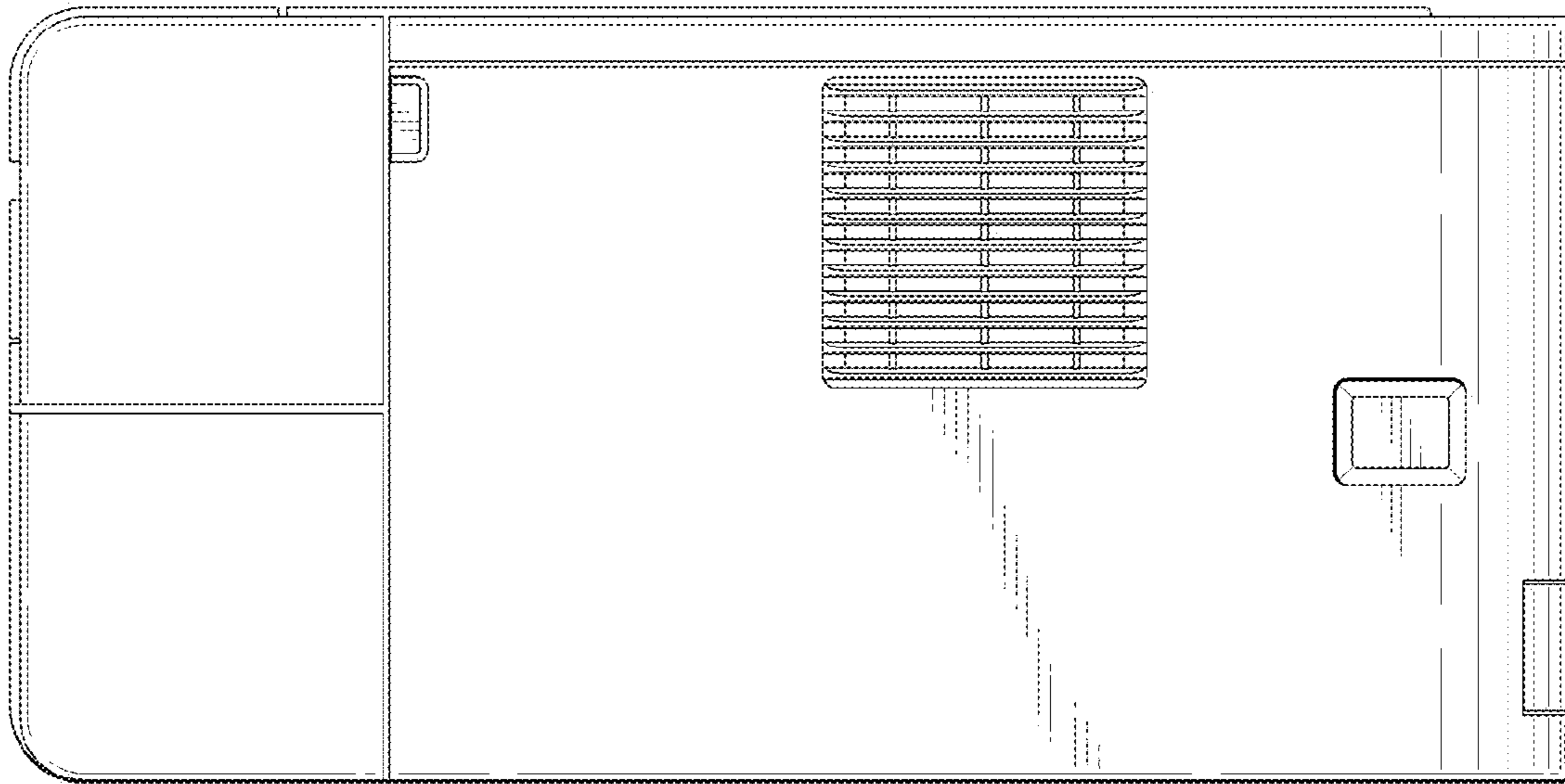


FIG. 4

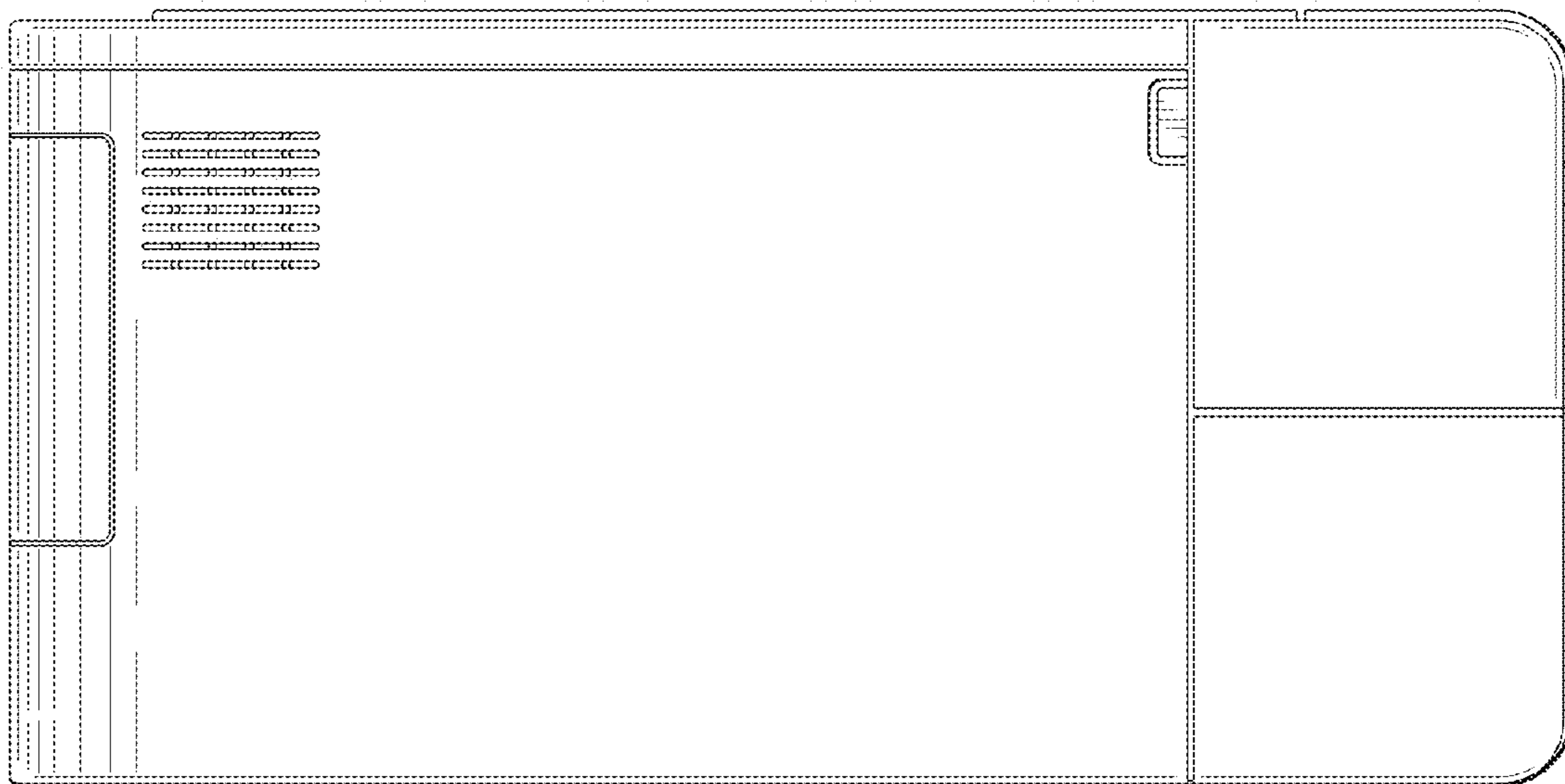


FIG. 5

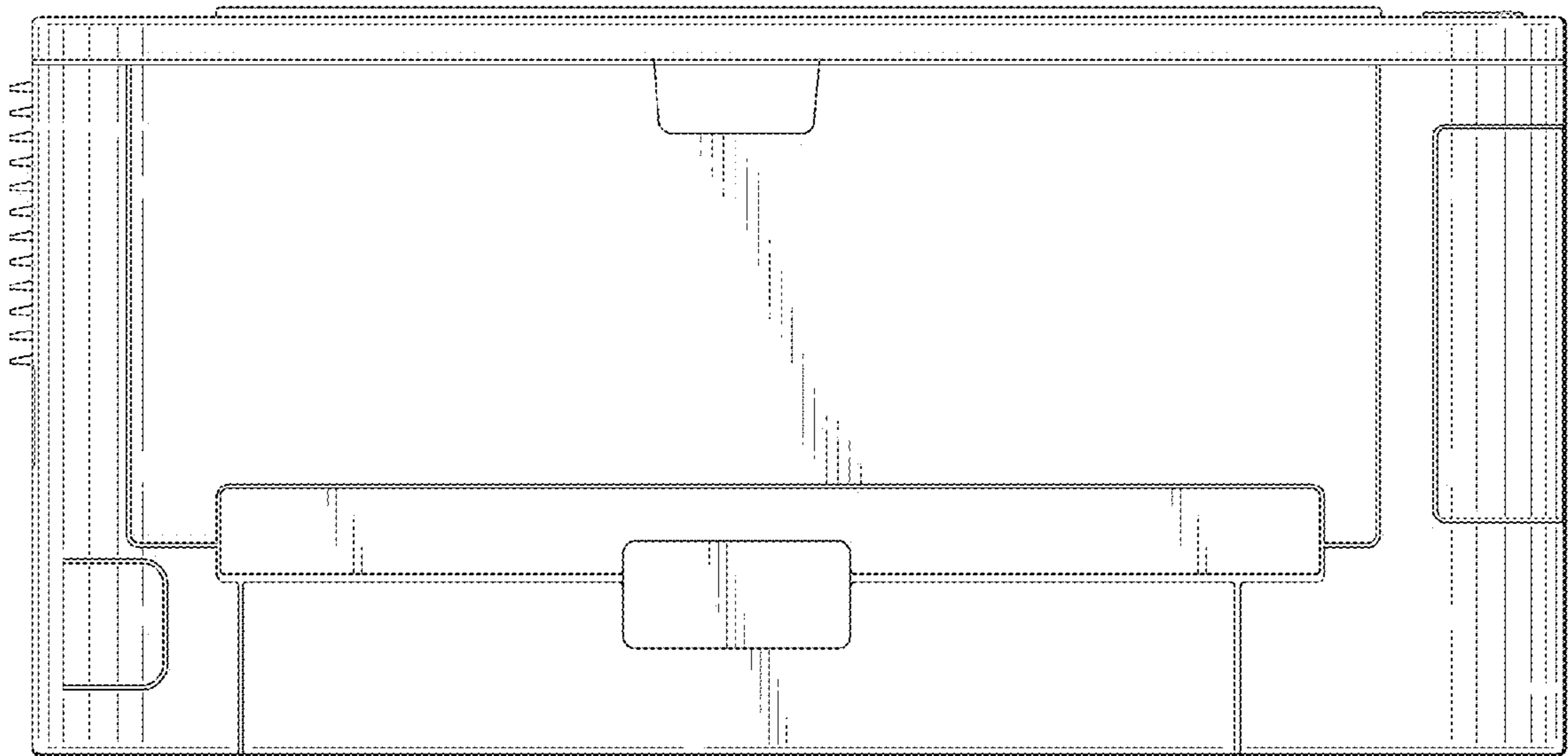


FIG. 6

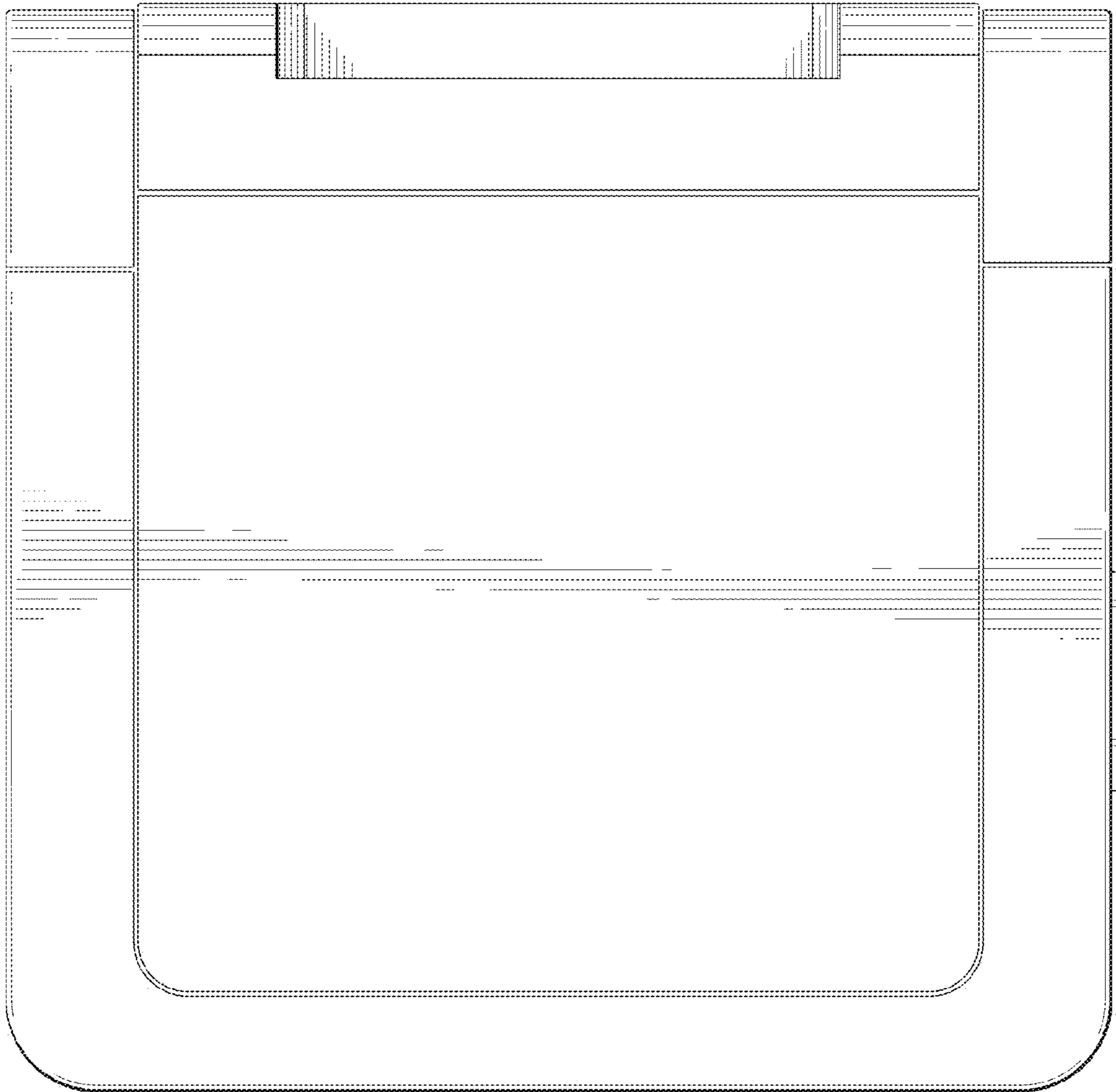


FIG. 7