



US00D643057S

(12) **United States Design Patent**  
**Mendoza et al.**

(10) **Patent No.:** **US D643,057 S**  
(45) **Date of Patent:** **\*\* Aug. 9, 2011**

(54) **GEARED HEAD FOR MOTION PICTURE CAMERAS**

*Primary Examiner* — Adir Aronovich  
(74) *Attorney, Agent, or Firm* — Powers Law Firm; Elizabeth E. Powers

(76) Inventors: **Joseph Mendoza**, Granite Bay, CA (US); **Bret Allen**, Foresthill, CA (US)

(\*\*) Term: **14 Years**

(57) **CLAIM**

The ornamental design for a geared head for motion picture cameras, as shown and described.

(21) Appl. No.: **29/335,529**

(22) Filed: **Apr. 17, 2009**

(51) **LOC (9) Cl.** ..... **16-05**

(52) **U.S. Cl.** ..... **D16/242**

(58) **Field of Classification Search** ..... D16/237,  
D16/242, 245; 248/177.1, 187.1; 396/419,  
396/421, 428

See application file for complete search history.

**DESCRIPTION**

FIG. 1 is a bottom, front and left side perspective view of a geared head for motion picture cameras showing our new design;

FIG. 2 is a right side elevational view thereof; and, FIG. 3 is a left side elevational view thereof.

An ornamental design feature for a geared head side panel comprising the decreasing, asymmetrical arch left and right side panels and selectively perforated left and right side plate of said geared head.

The design element is featured on the side plates of geared heads used for mounting large cameras, such as motion picture cameras.

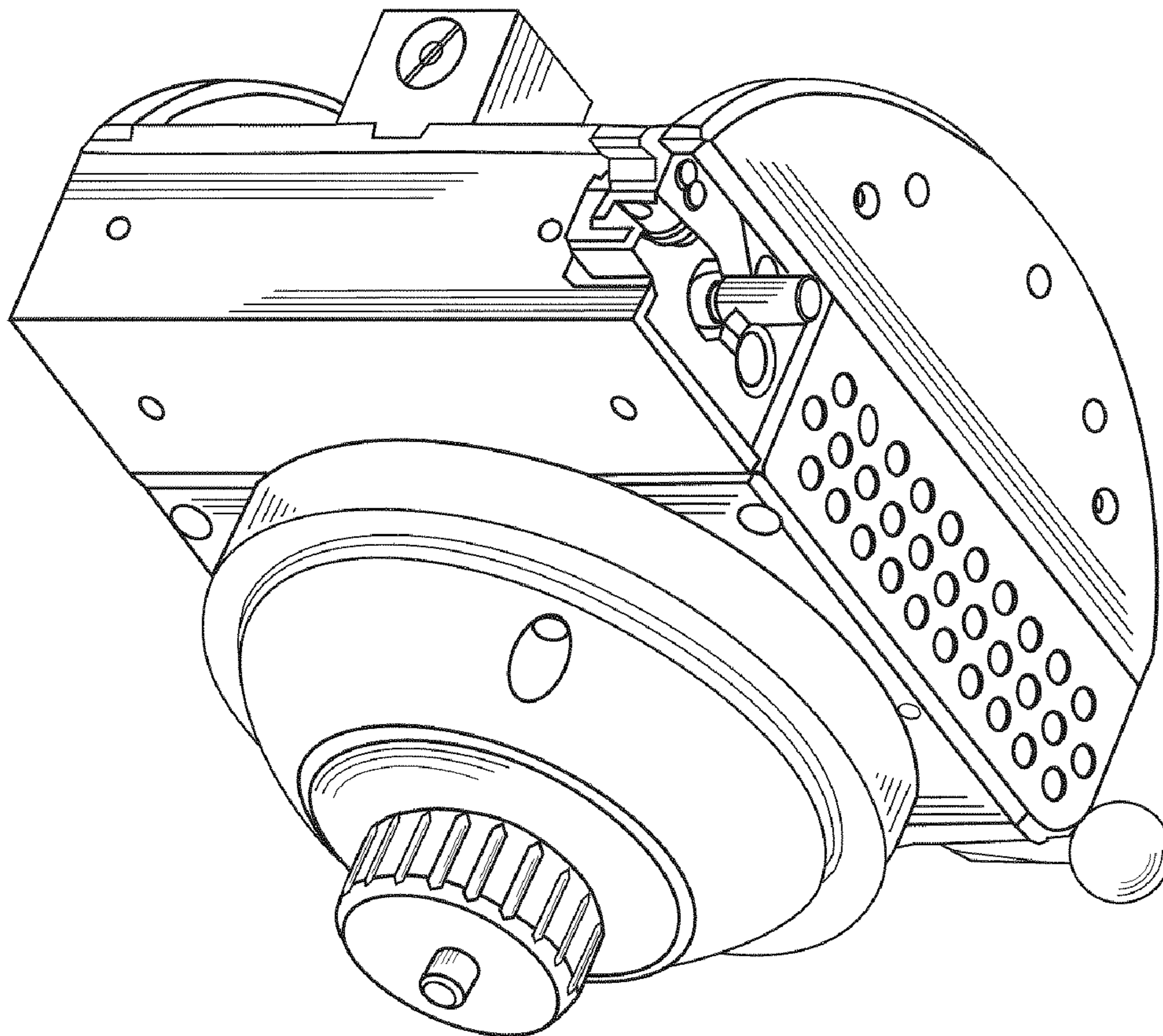
(56) **References Cited**

**U.S. PATENT DOCUMENTS**

D246,528 S *	11/1977	Miller	.....	D16/245
D292,982 S *	12/1987	Nakatani	.....	D16/245
4,955,568 A *	9/1990	O'Connor et al.	.....	248/183.3
4,959,671 A *	9/1990	Ishikawa	.....	396/428
5,056,745 A *	10/1991	Gelbard	.....	248/278.1
6,354,750 B1 *	3/2002	Romanoff	.....	396/428

\* cited by examiner

**1 Claim, 3 Drawing Sheets**



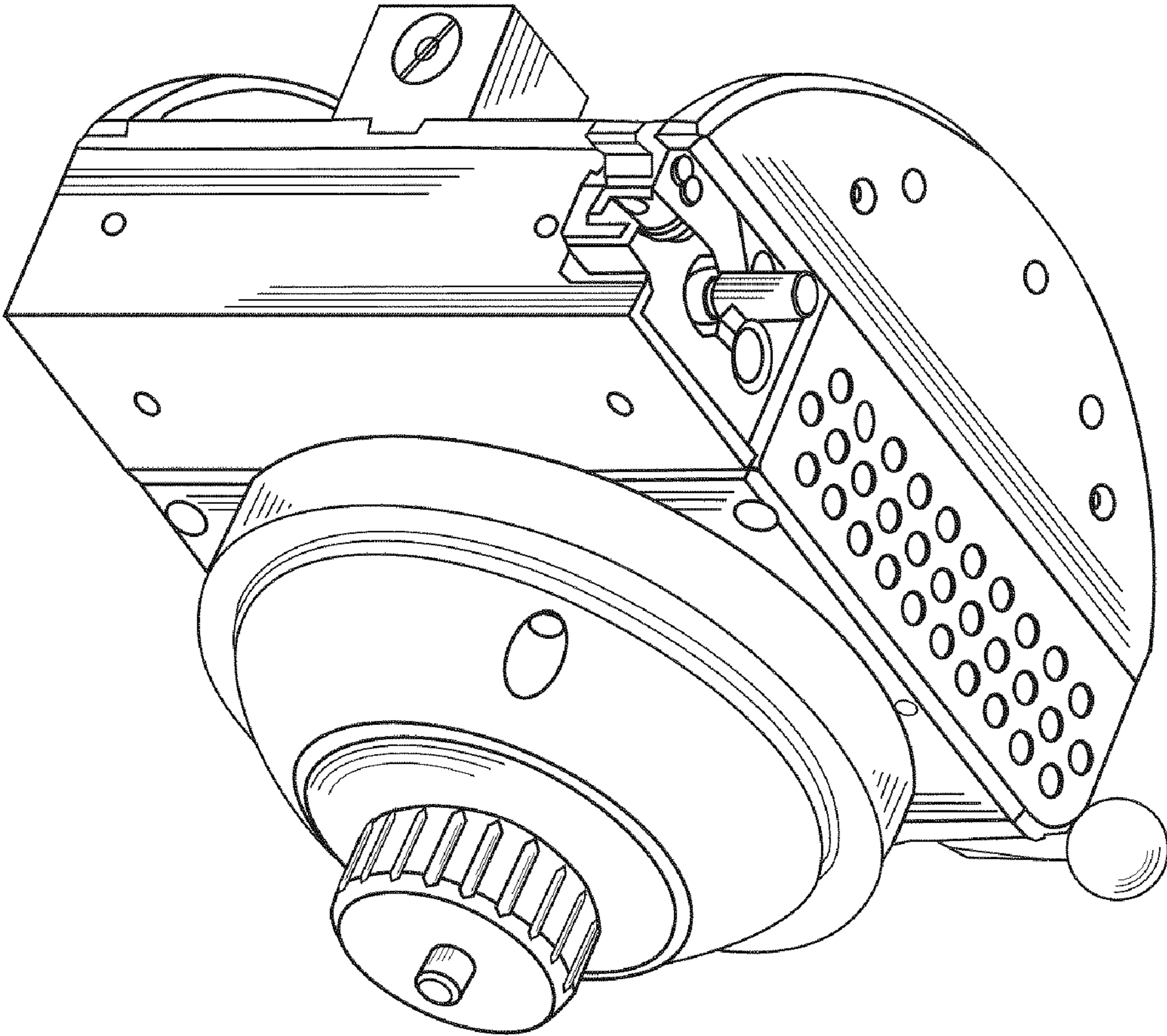


FIGURE 1

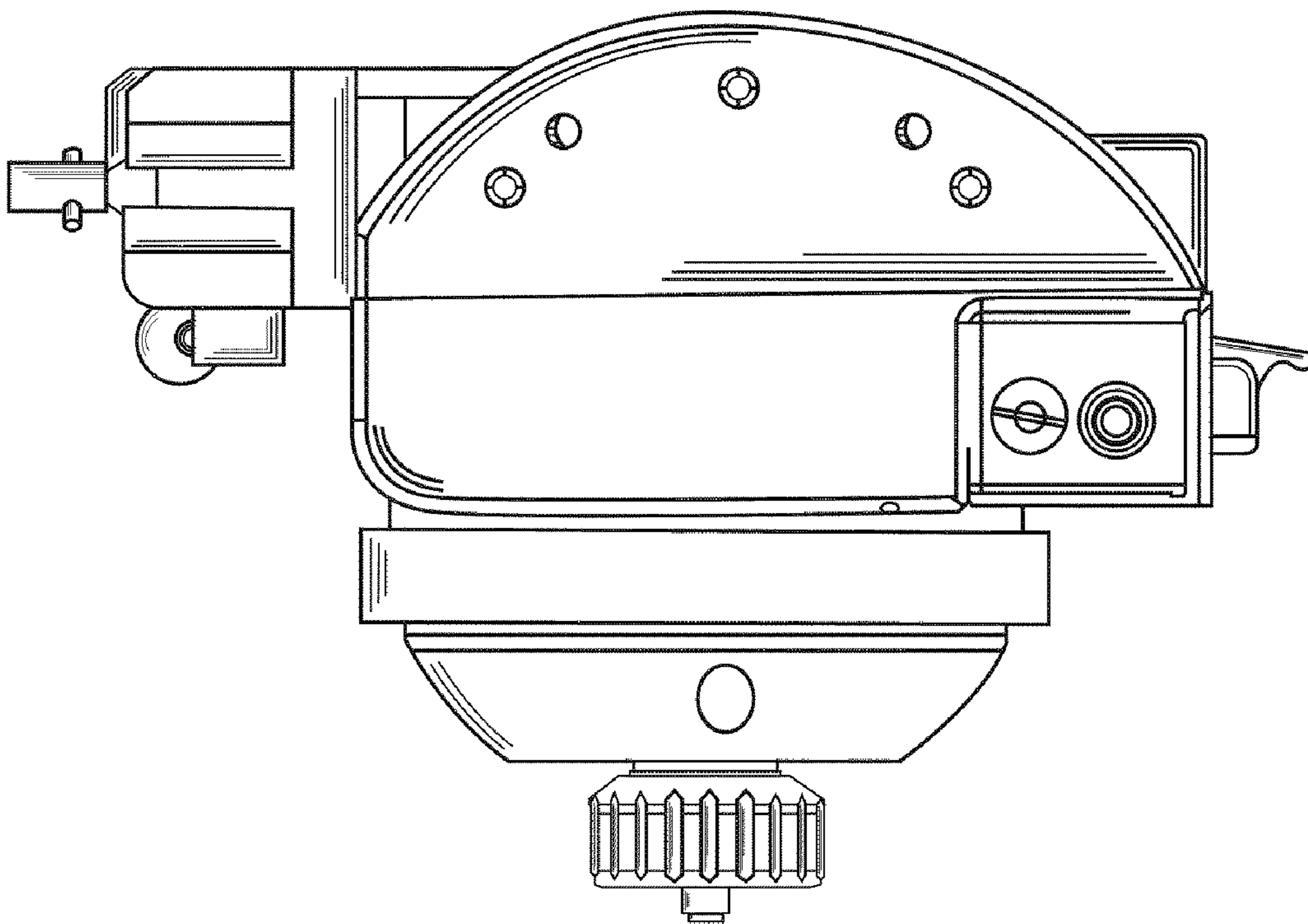


FIGURE 2

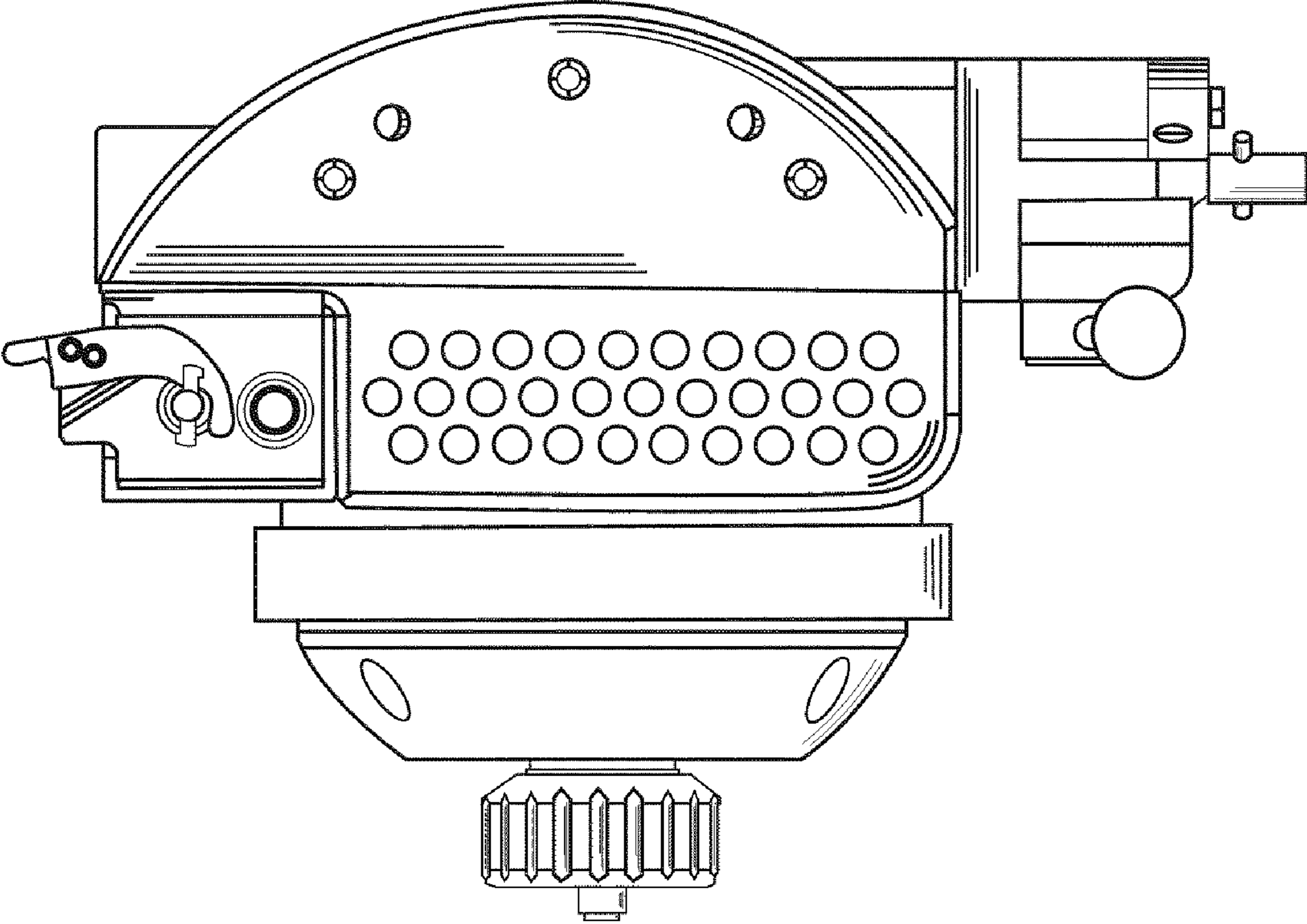


FIGURE 3