



US00D643056S

(12) **United States Design Patent**
Zaliauskas et al.

(10) **Patent No.:** **US D643,056 S**

(45) **Date of Patent:** **** Aug. 9, 2011**

(54) **VIDEO CAMERA**

(75) Inventors: **Alex Zaliauskas**, Draper, UT (US);
Hsing Tung Wang, Hsinchu (TW);
Jason Perry Martin, Lake Oswego, OR
(US); **Carl Jonsson**, Portland, OR (US);
Chase Thompson, Portland, OR (US);
Phil Alan Bunker, Orem, UT (US);
Paul Tusting, Salt Lake City, UT (US)

(73) Assignee: **Logitech Europe S.A.**, Morges (CH)

(**) Term: **14 Years**

(21) Appl. No.: **29/370,524**

(22) Filed: **Jul. 28, 2010**

(51) **LOC (9) Cl.** **16-01**

(52) **U.S. Cl.** **D16/203; D16/202**

(58) **Field of Classification Search** D16/200–205,
D16/208, 218; 348/143, 151, 373–376; 358/906;
396/427, 535–541

See application file for complete search history.

(56) **References Cited**

U.S. PATENT DOCUMENTS

D429,269 S * 8/2000 Renkis D16/202
D491,592 S * 6/2004 Fang D16/202

6,768,868 B1 * 7/2004 Schnell 396/427
D524,839 S * 7/2006 Wen et al. D16/203
D527,403 S * 8/2006 Byun et al. D16/202
D542,820 S * 5/2007 Depay D16/202
D556,231 S * 11/2007 Kato et al. D16/203
D563,444 S * 3/2008 Brickzin et al. D16/203
D564,006 S * 3/2008 Stephens et al. D16/208
D618,265 S * 6/2010 Wozniak D16/202

* cited by examiner

Primary Examiner — Adir Aronovich

(74) *Attorney, Agent, or Firm* — Kilpatrick Townsend & Stockton LLP

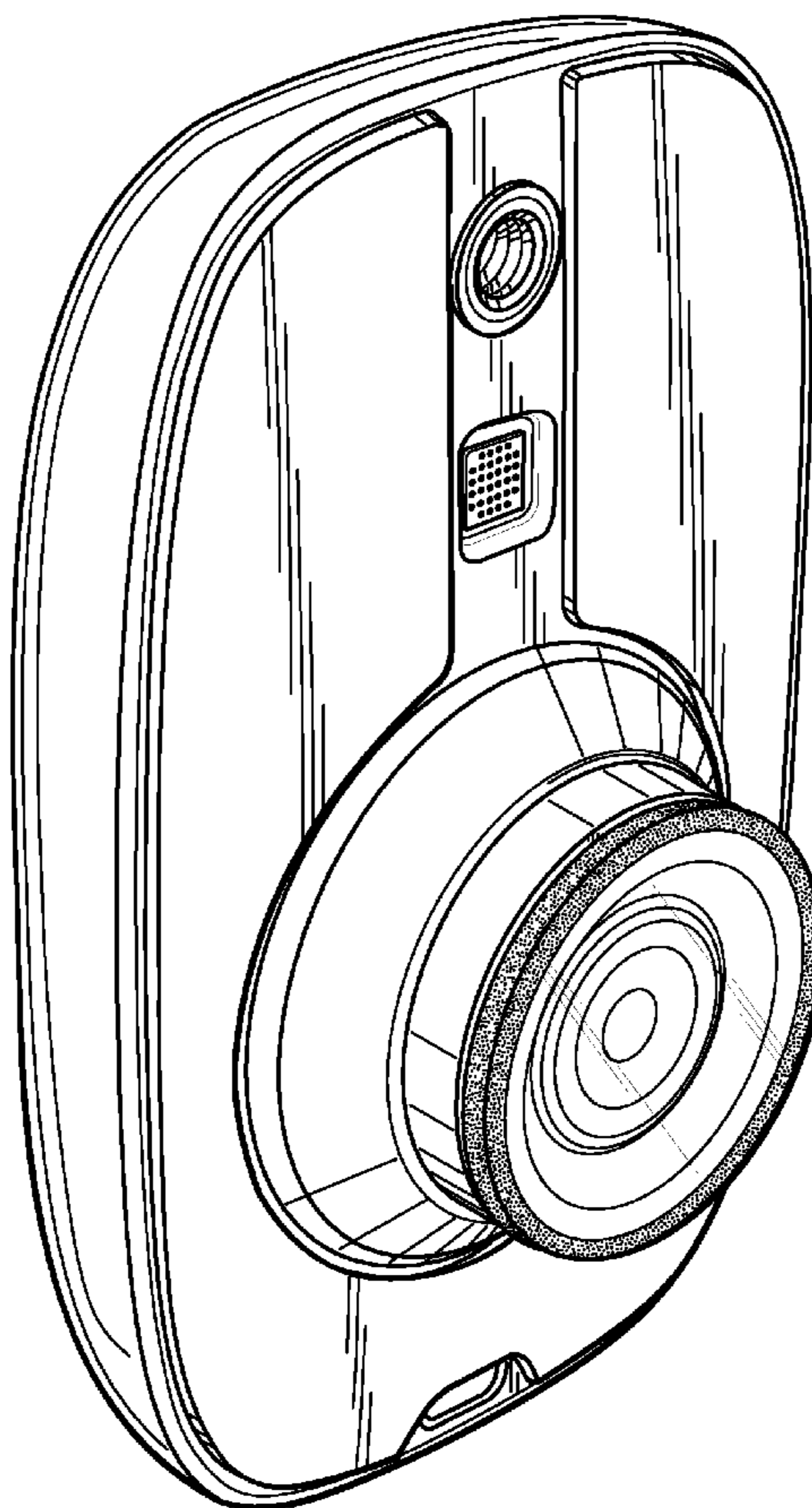
(57) **CLAIM**

The ornamental design for a video camera, as shown and described.

DESCRIPTION

FIG. 1 is a front and left side perspective view of a video camera showing our new design;
FIG. 2 is a top plan view thereof;
FIG. 3 is a front elevational view thereof;
FIG. 4 is a left side elevational view;
FIG. 5 is a right side elevational view;
FIG. 6 is a rear elevational view thereof; and,
FIG. 7 is a bottom plan view thereof.

1 Claim, 4 Drawing Sheets



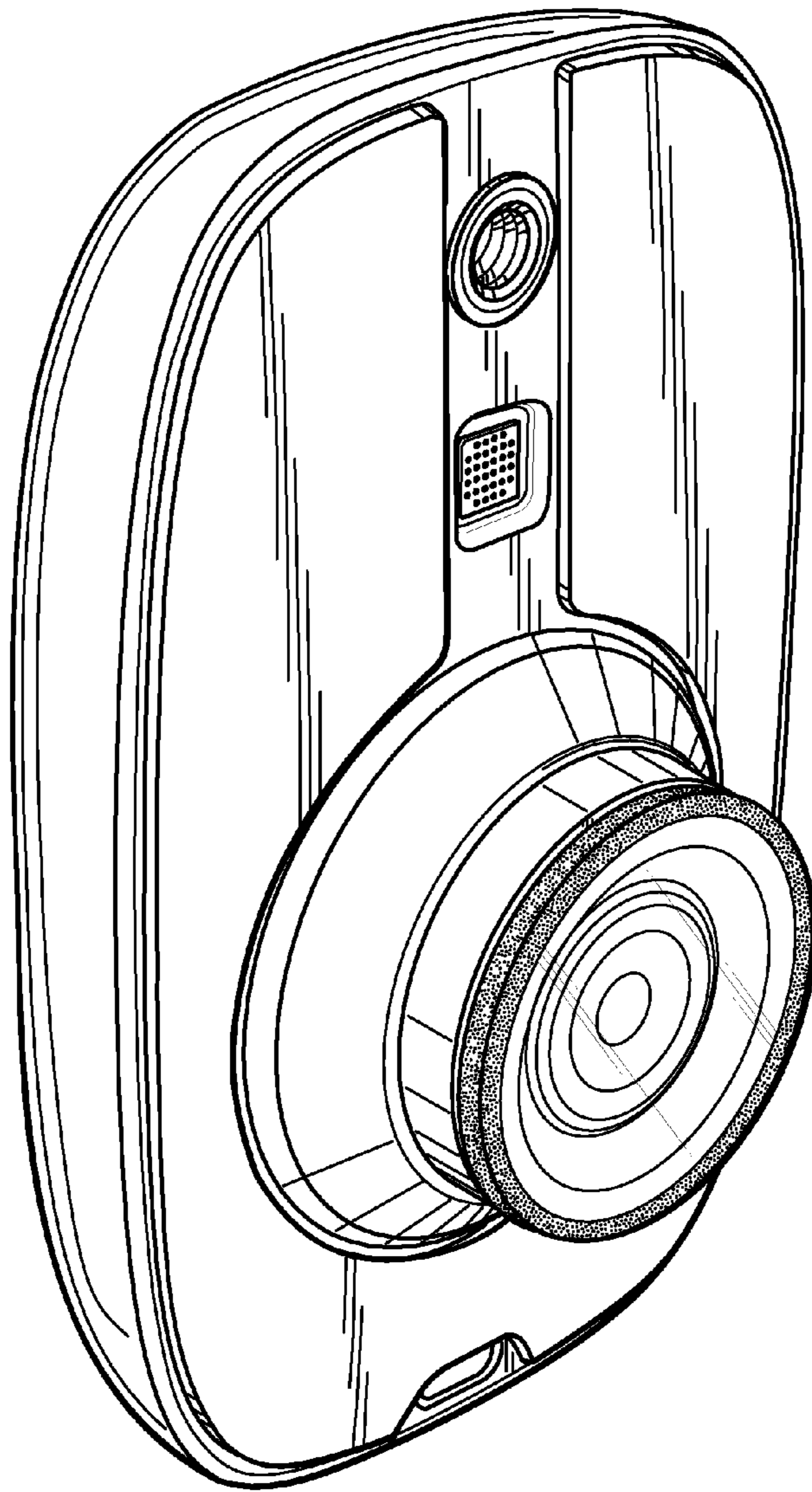


FIG. 1

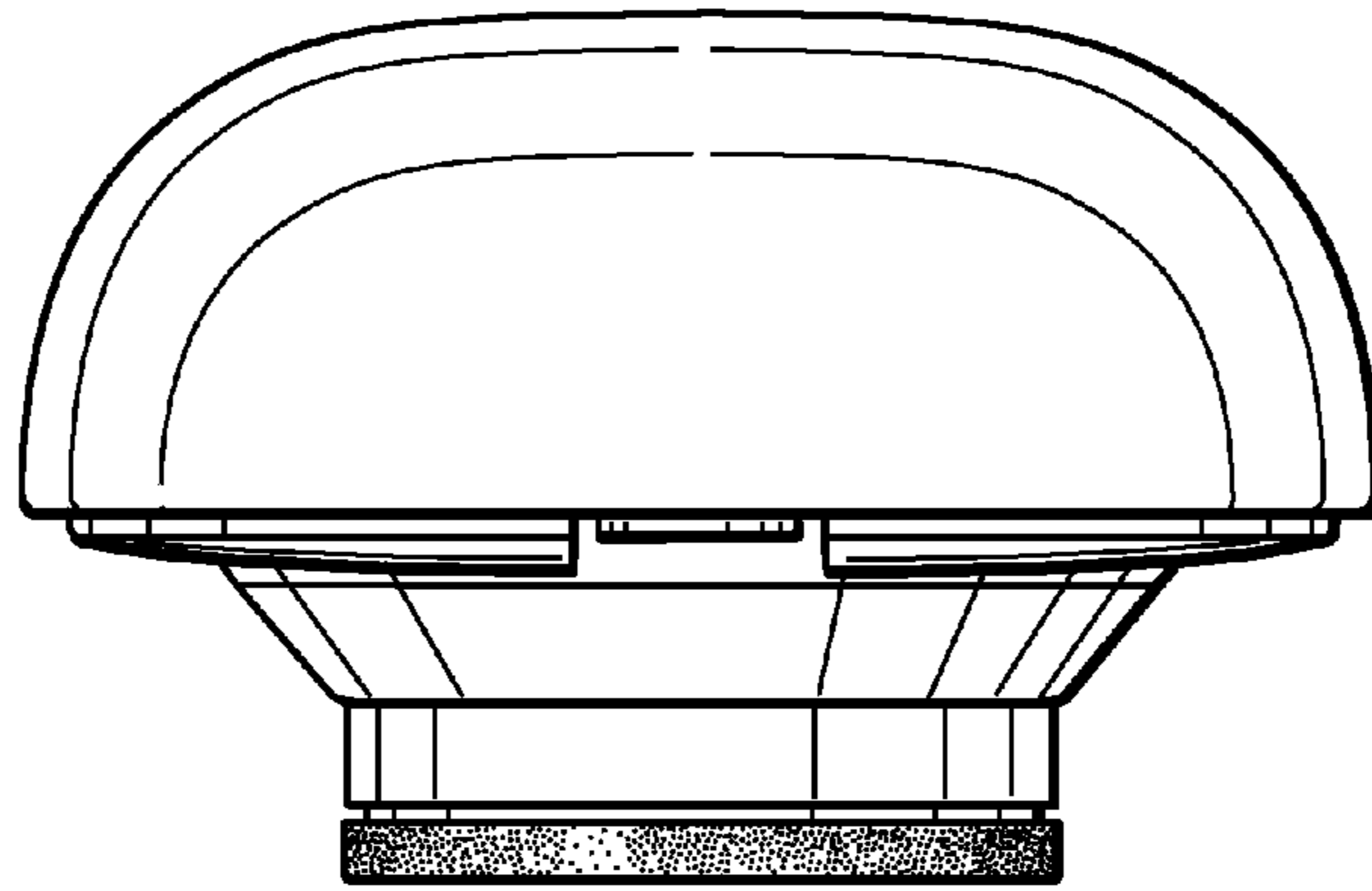


FIG. 2

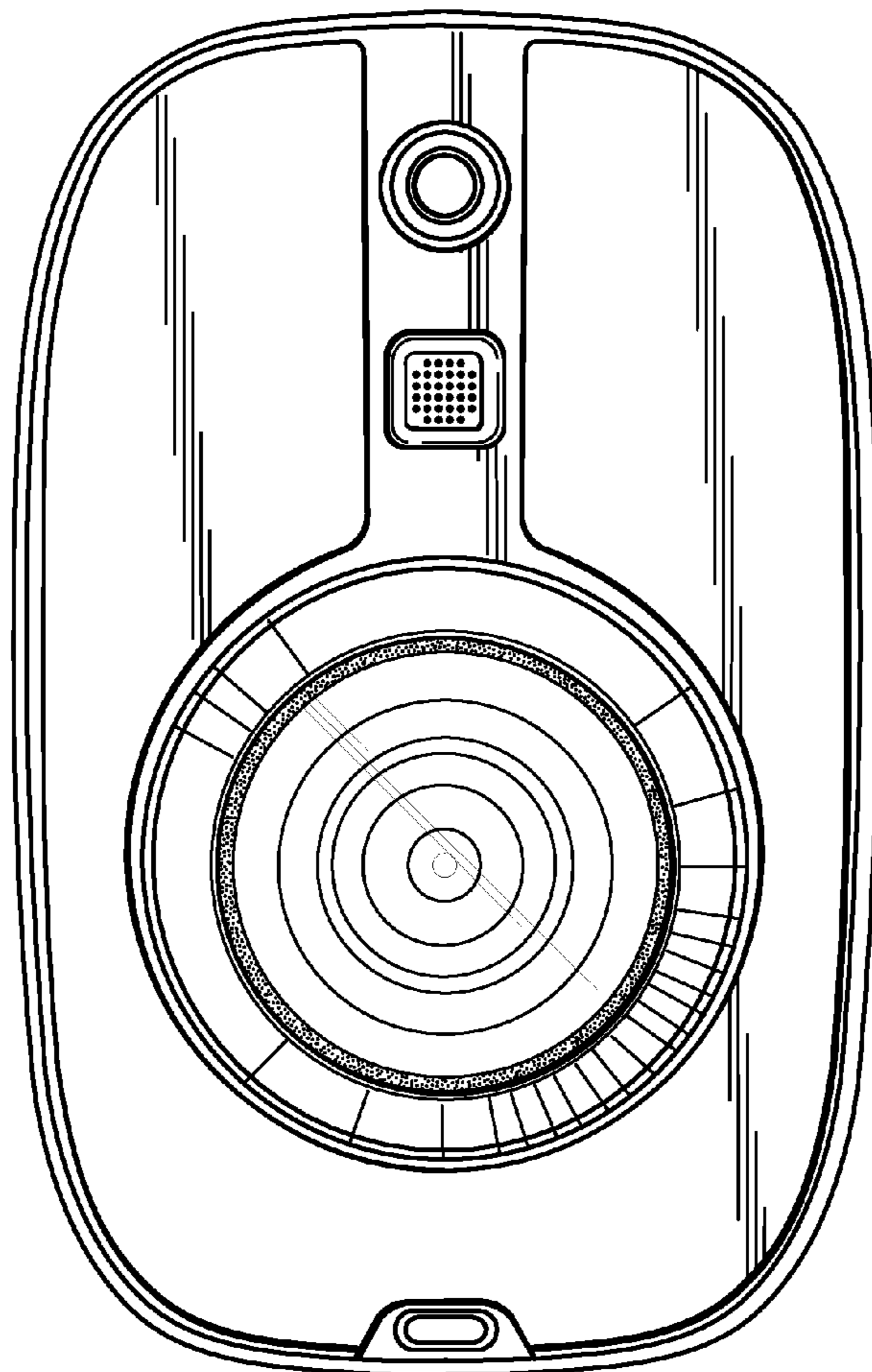


FIG. 3

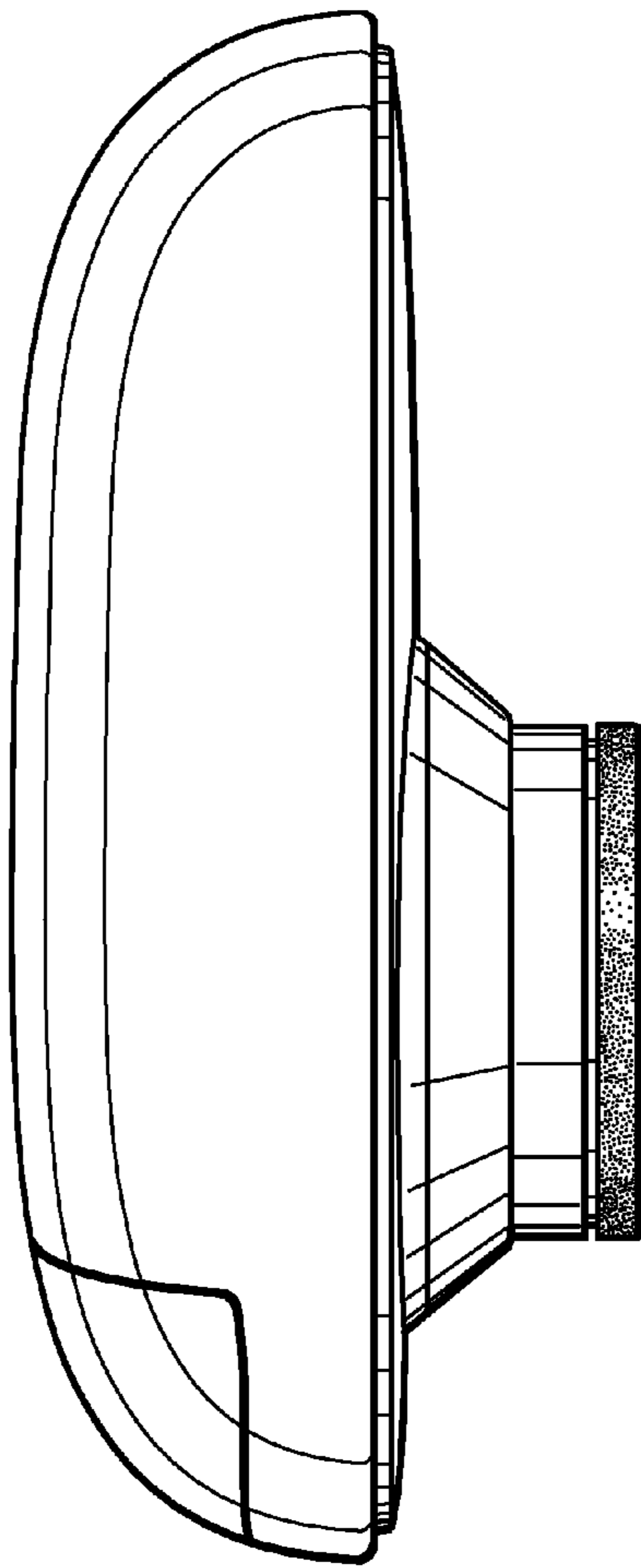


FIG. 4

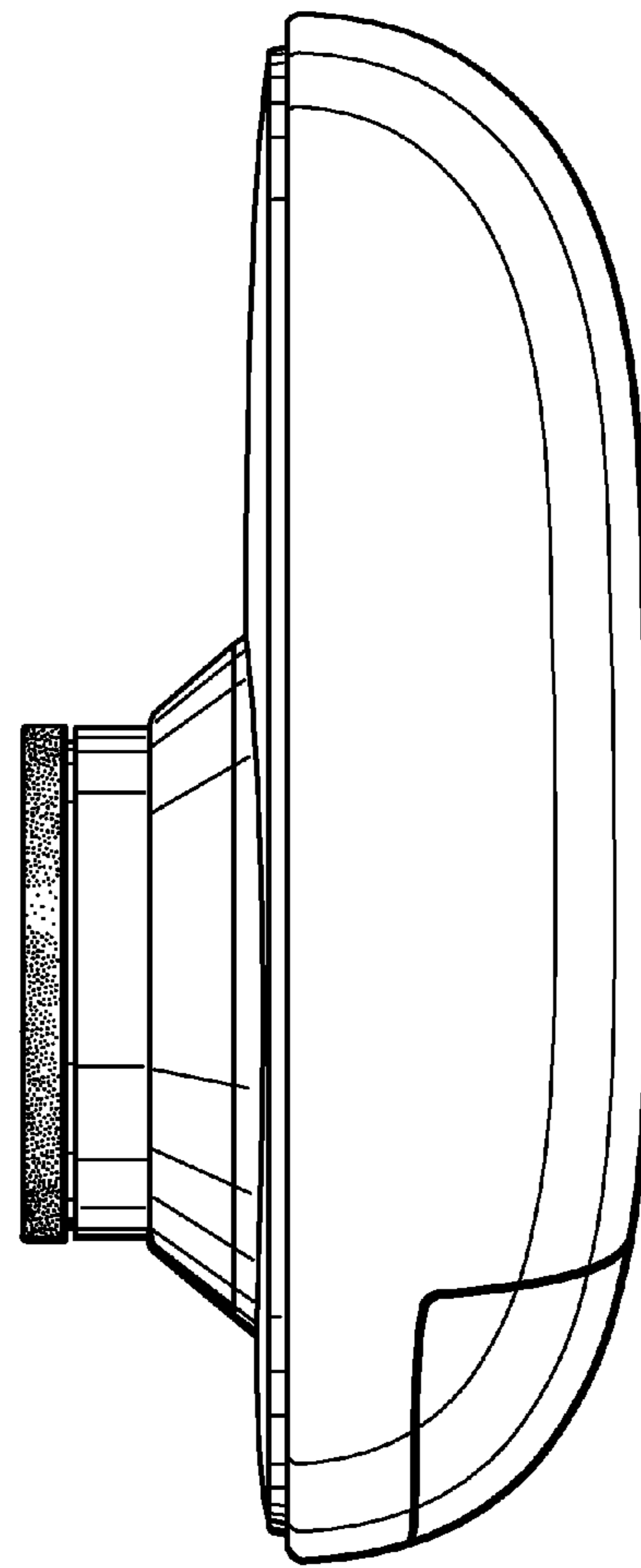


FIG. 5

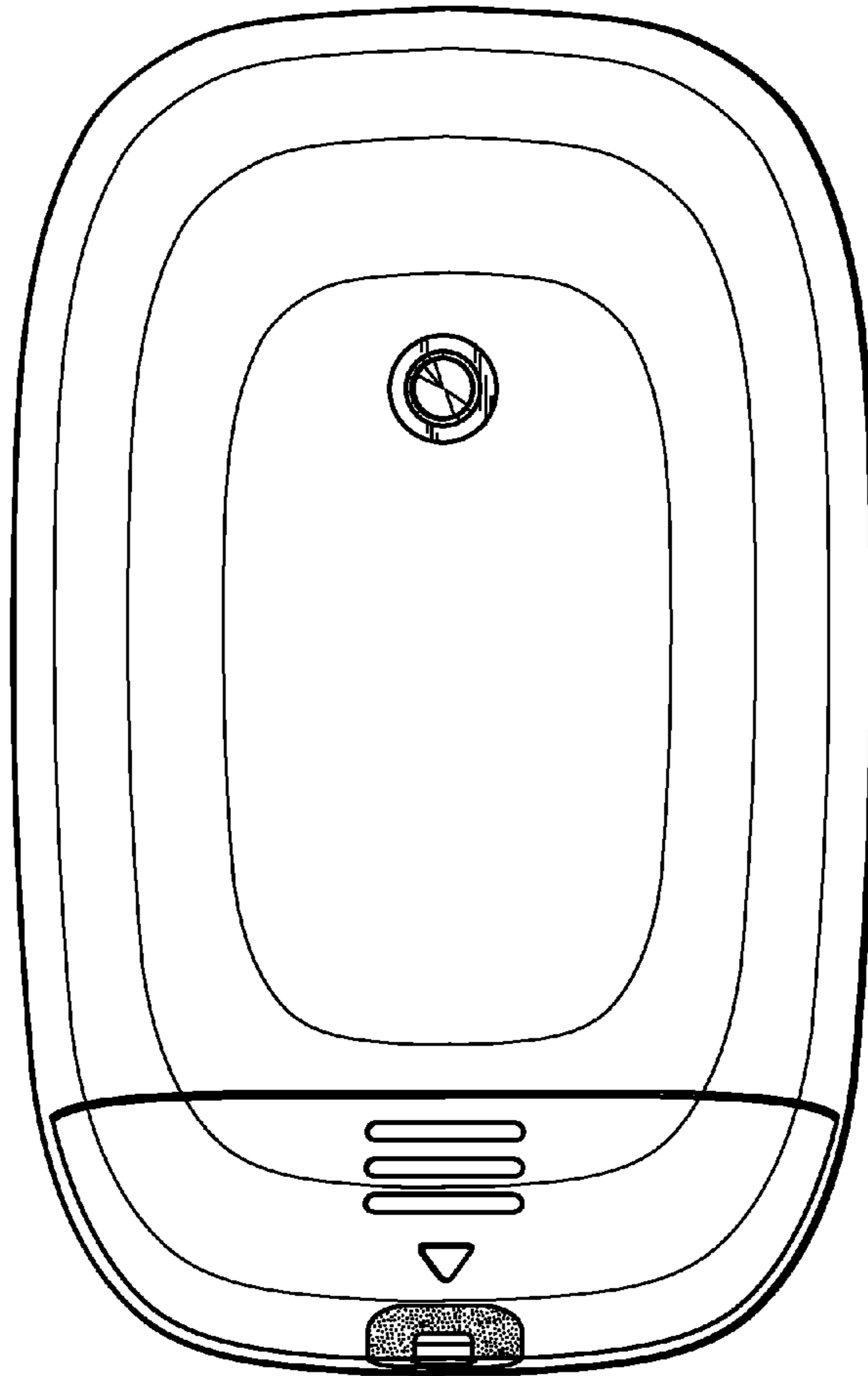


FIG. 6

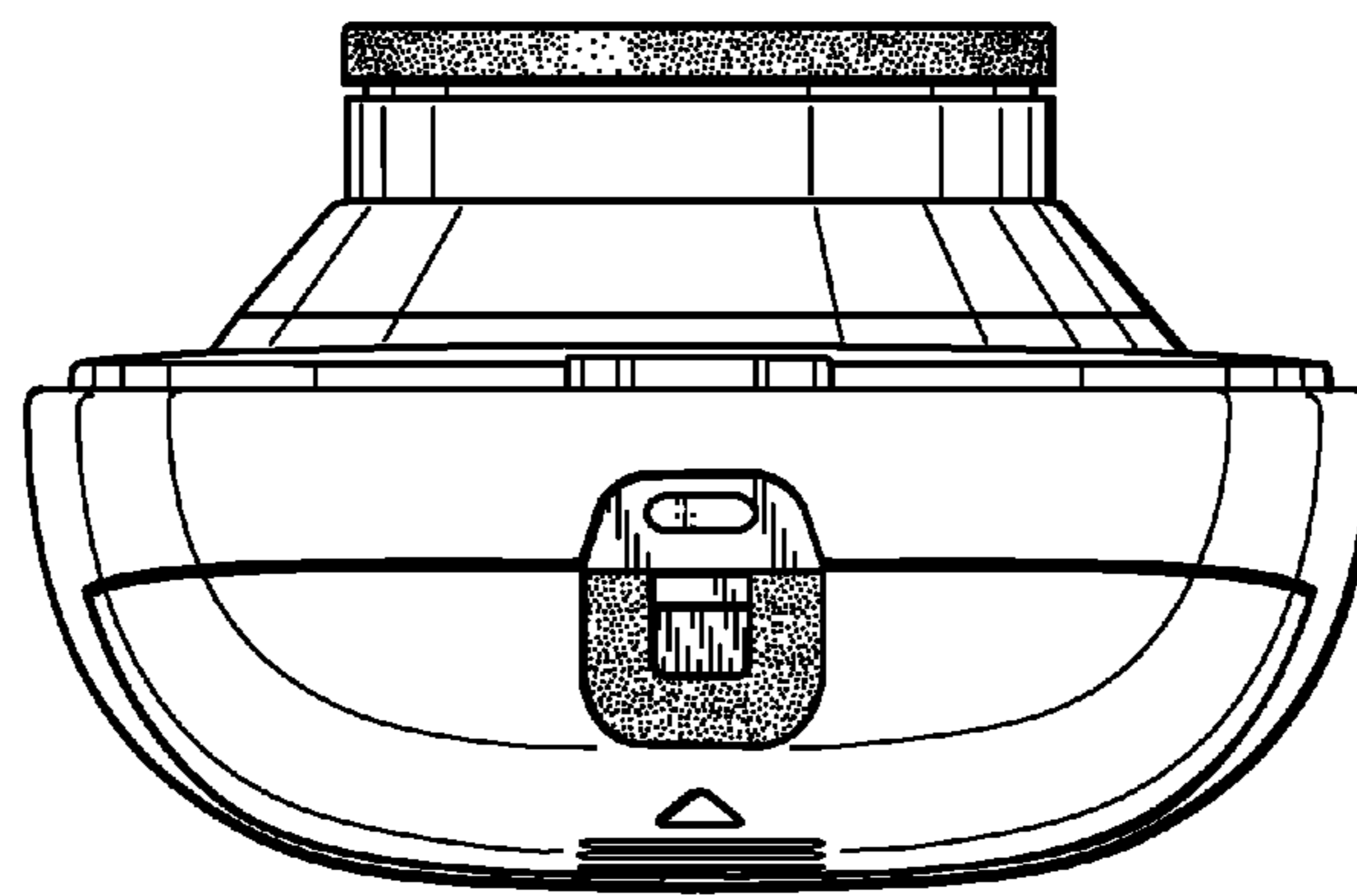


FIG. 7