



US00D643055S

(12) **United States Design Patent**
Takahashi

(10) **Patent No.:** **US D643,055 S**

(45) **Date of Patent:** **** Aug. 9, 2011**

(54) **HEATER BLOCK FOR USE IN A SEMICONDUCTOR PROCESSING TOOL**

2006/0011298	A1 *	1/2006	Lim et al.	156/345.34
2006/0108138	A1 *	5/2006	Lee et al.	174/52.2
2008/0084808	A1 *	4/2008	Kumagai	369/112.1
2009/0239385	A1	9/2009	Takahashi	

(75) Inventor: **Satoshi Takahashi**, Hachioji (JP)

(73) Assignee: **ASM Japan K.K.**, Tokyo (JP)

(**) Term: **14 Years**

(21) Appl. No.: **29/324,405**

(22) Filed: **Sep. 11, 2008**

(51) **LOC (9) Cl.** **15-99**

(52) **U.S. Cl.** **D15/199**

(58) **Field of Classification Search** D15/144,
D15/199; 29/827, 843; 219/392; 228/180.22;
438/21, 617

See application file for complete search history.

(56) **References Cited**

U.S. PATENT DOCUMENTS

5,306,664	A *	4/1994	Sakura	29/827
6,394,797	B1	5/2002	Sugaya et al.	
6,634,882	B2	10/2003	Goodman	
6,709,267	B1	3/2004	Hawkins et al.	
D529,057	S *	9/2006	Willson et al.	D15/144
2005/0242079	A1 *	11/2005	Kuibira et al.	219/444.1
2005/0274708	A1 *	12/2005	Chan et al.	219/392

OTHER PUBLICATIONS

U.S. Appl. No. 12/051,769, filed Mar. 19, 2008, *Heater Block for Use in a Semiconductor Processing Tool*, Satoshi Takahashi.

* cited by examiner

Primary Examiner — Patricia Palasik

(74) *Attorney, Agent, or Firm* — Knobbe, Martens, Olson & Bear, LLP

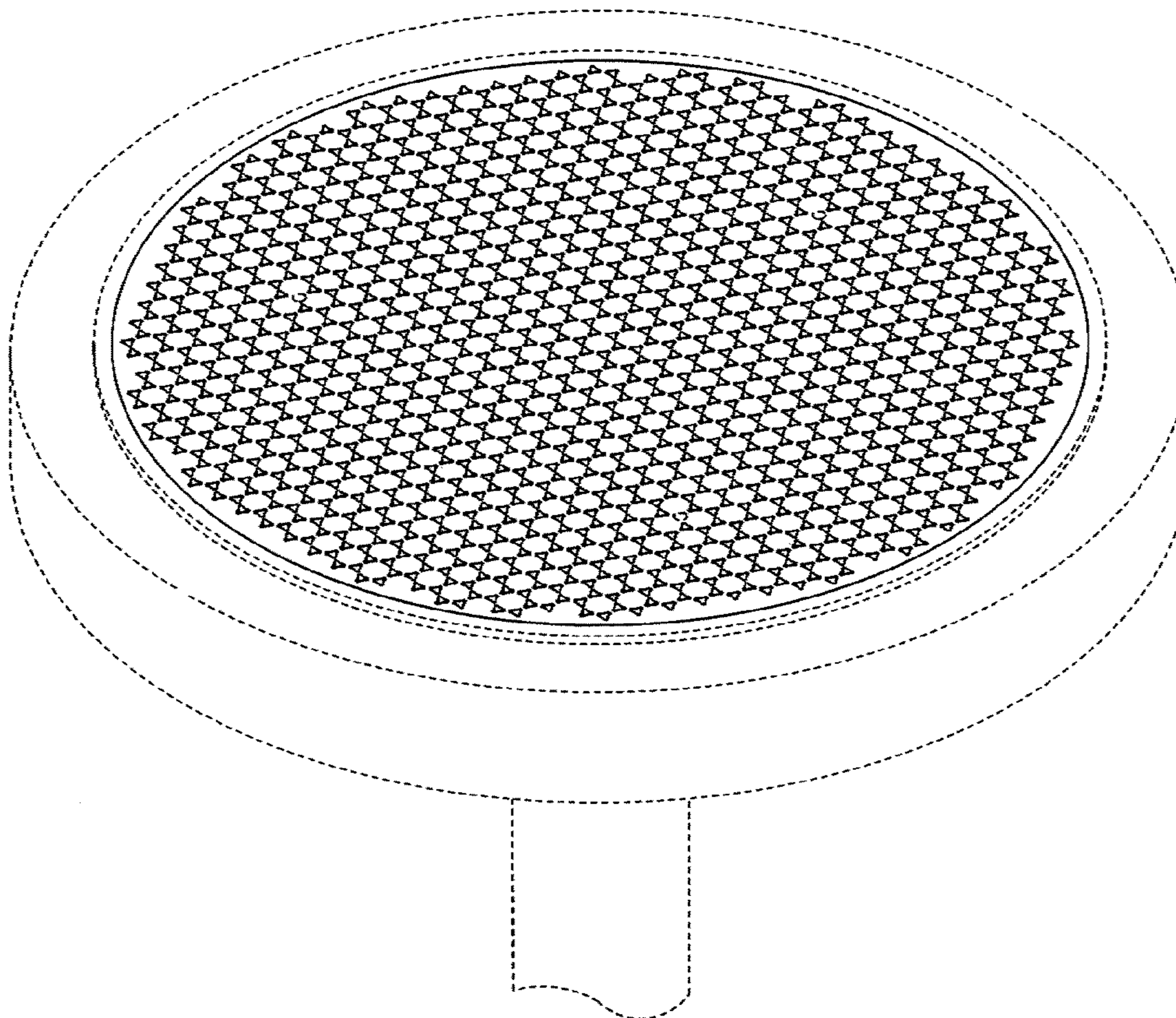
(57) **CLAIM**

I claim the ornamental design for a heater block for use in a semiconductor processing tool, as shown and described.

DESCRIPTION

FIG. 1 is a top perspective view of a heater block for use in a semiconductor processing tool;
FIG. 2 is a top view thereof;
FIG. 3 is a side view thereof; and,
FIG. 4 is a cross-sectional view thereof, taken along the line 4-4 of FIG. 2.

1 Claim, 3 Drawing Sheets



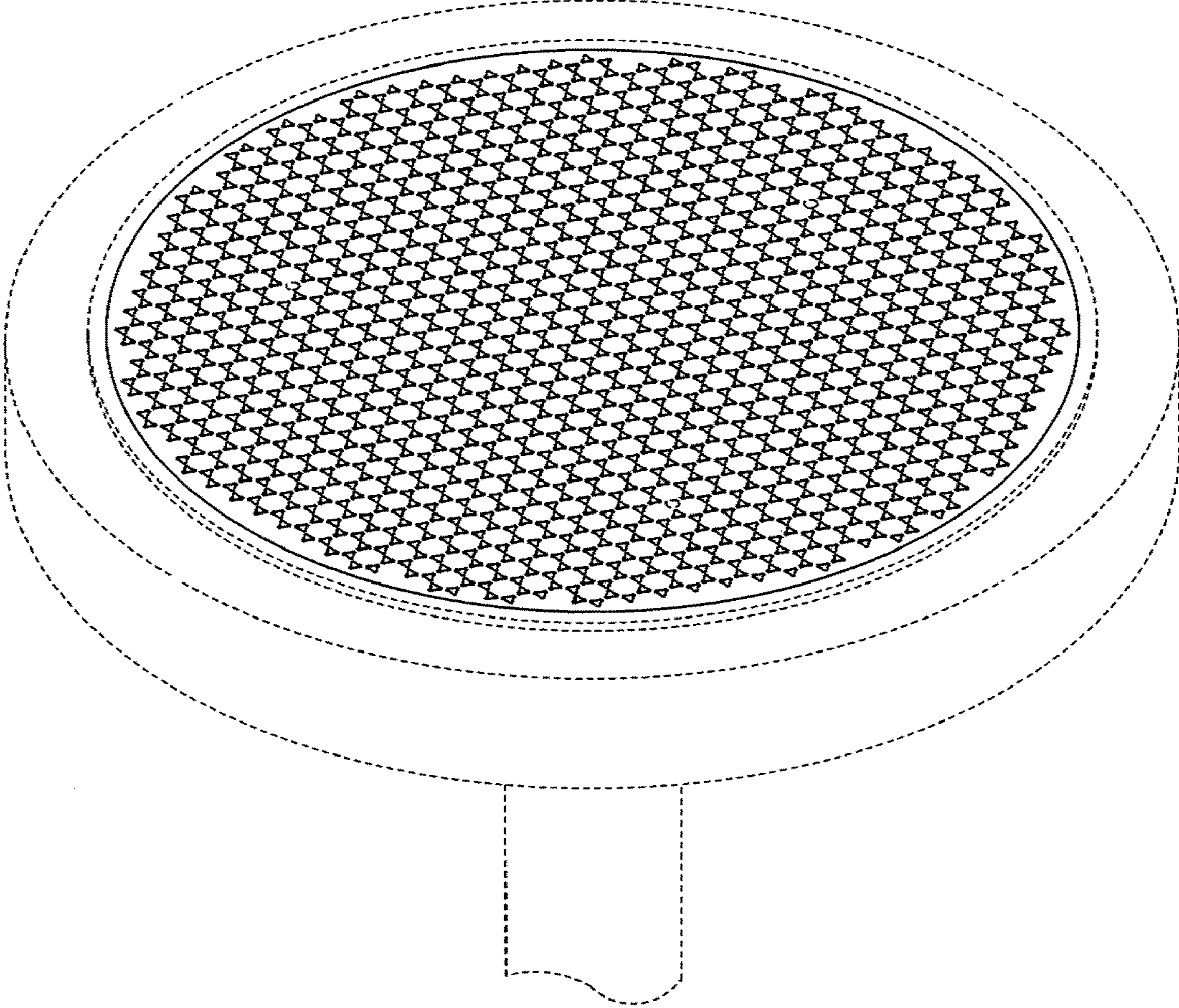


FIG. 1

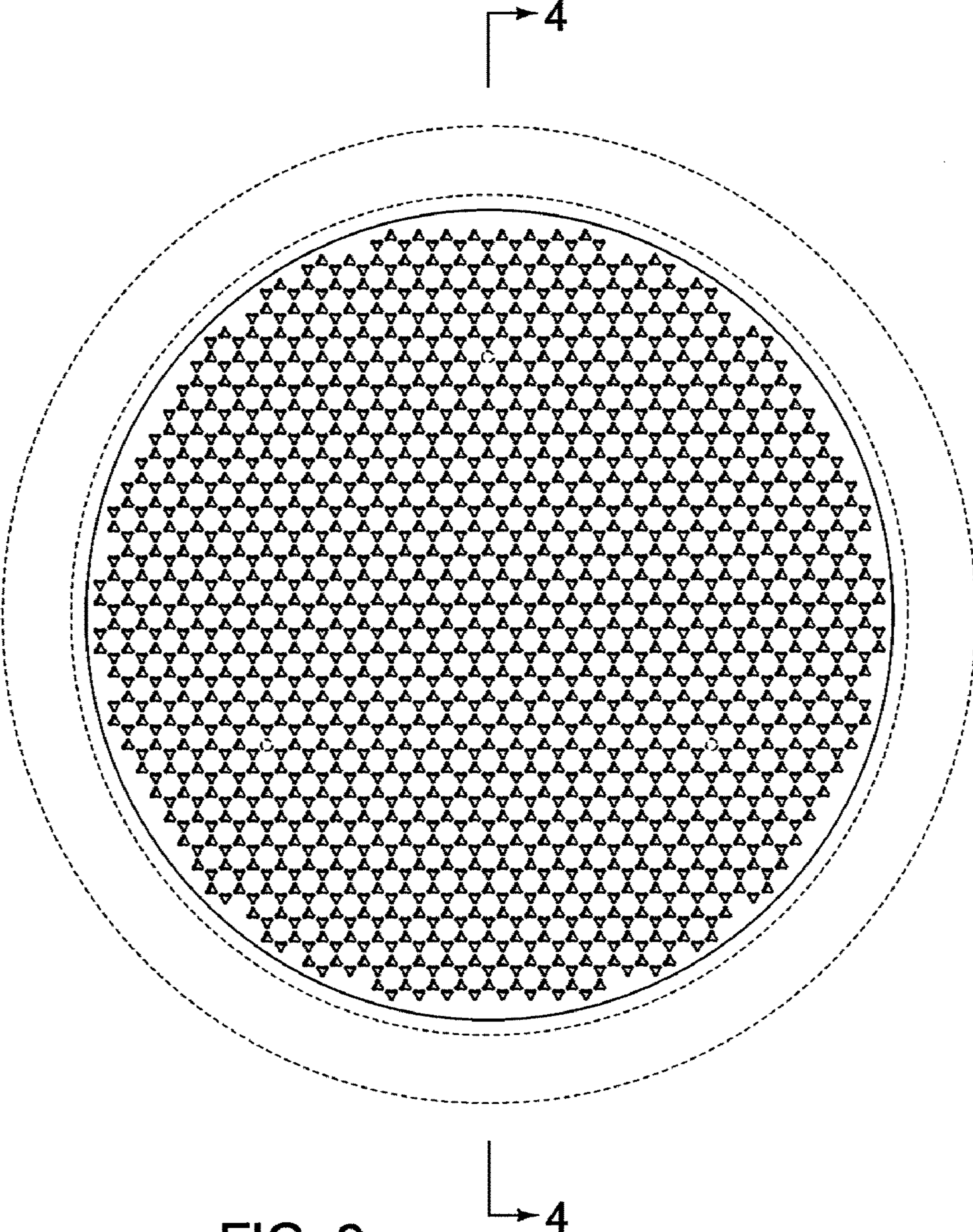


FIG. 2

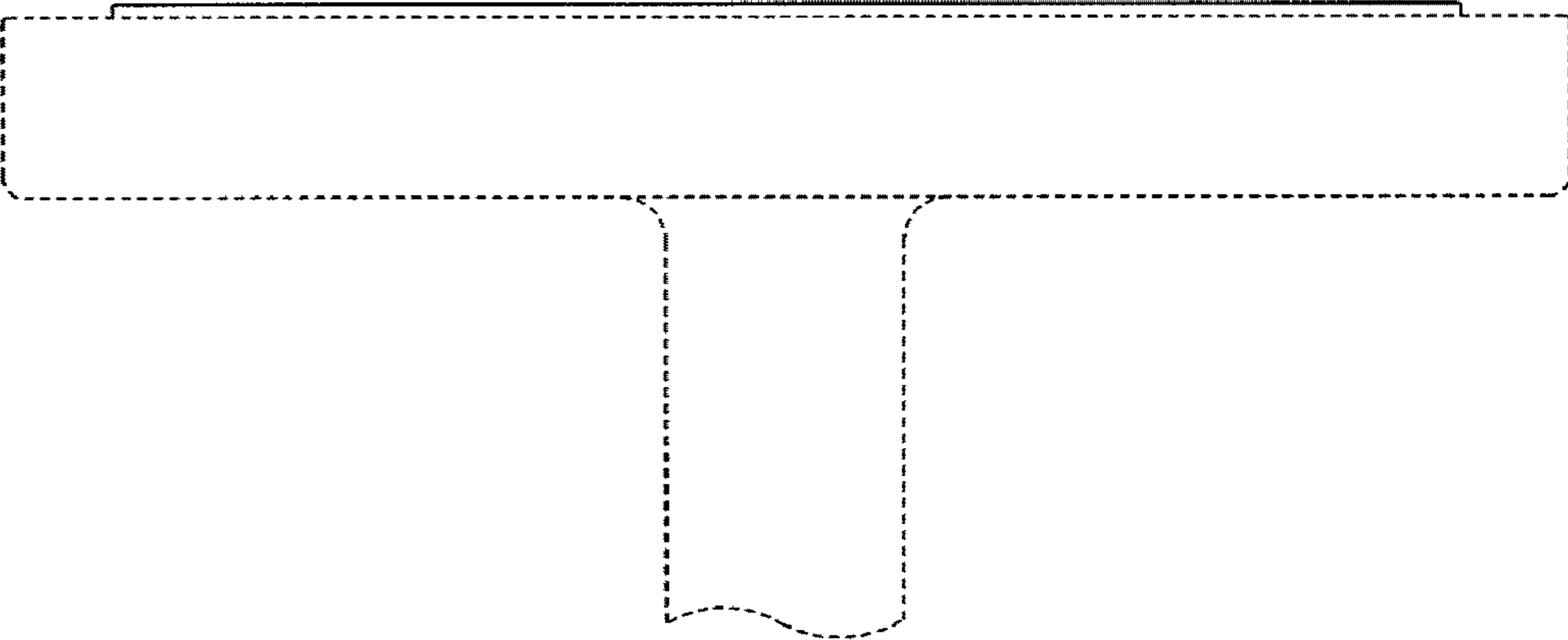


FIG. 3

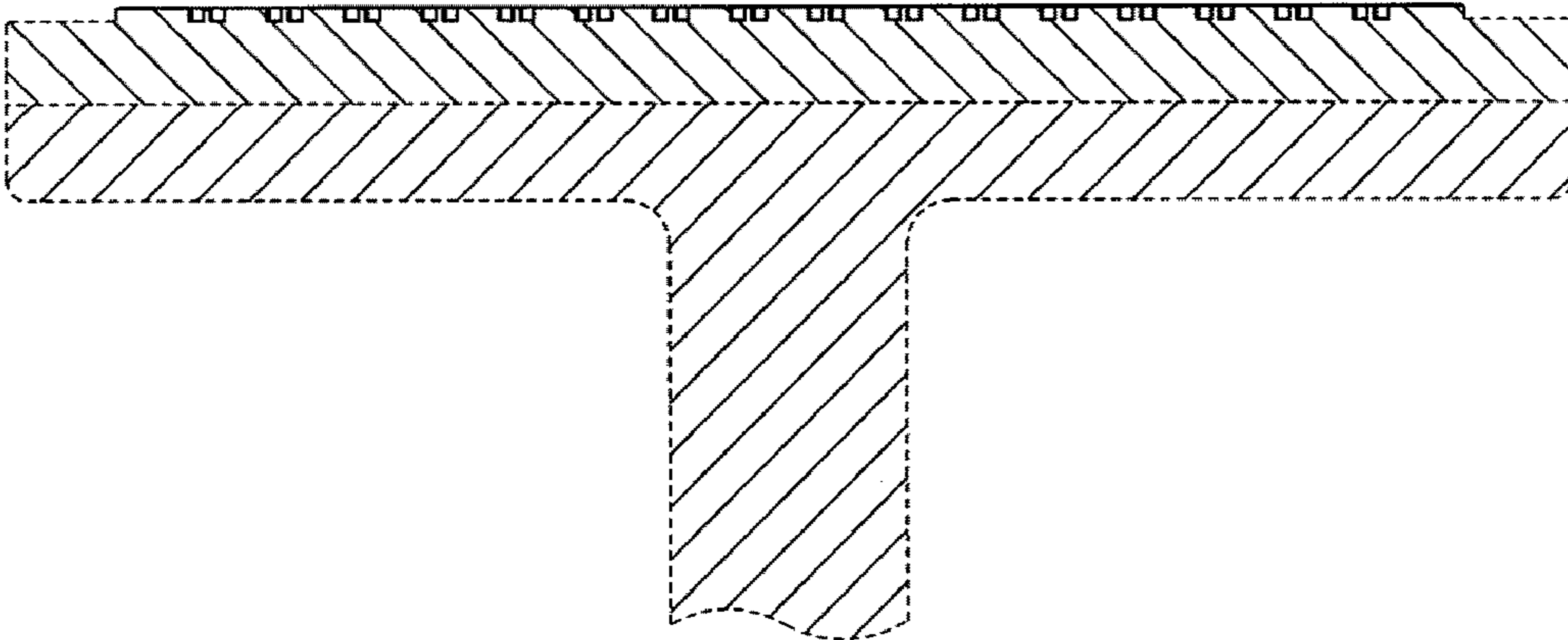


FIG. 4