



US00D643054S

(12) **United States Design Patent**  
**Sennrich**

(10) **Patent No.:** **US D643,054 S**  
(45) **Date of Patent:** **\*\* Aug. 9, 2011**

- (54) **HOT GLUE APPLICATION DEVICE**
- (75) Inventor: **Markus Sennrich**, Rombach (CH)
- (73) Assignee: **Robatech, AG**, Muri (CH)
- (\*\*) Term: **14 Years**
- (21) Appl. No.: **29/381,047**
- (22) Filed: **Dec. 14, 2010**

**Related U.S. Application Data**

- (63) Continuation of application No. 12/174,473, filed on Jul. 16, 2008, now abandoned.

**Foreign Application Priority Data**

Jul. 16, 2008 (DE) ..... 20 2008 007 386

- (51) **LOC (9) Cl.** ..... **15-09**
- (52) **U.S. Cl.** ..... **D15/144**
- (58) **Field of Classification Search** ..... D8/70;  
D15/144, 144.1, 144.2; D23/229; 222/52,  
222/54-55, 146.5, 239, 320, 325, 389, 566,  
222/567; 239/1, 11, 29, 71, 135, 296, 423,  
239/536, 539

See application file for complete search history.

**References Cited**

**U.S. PATENT DOCUMENTS**

- 4,735,169 A 4/1988 Cawston et al. .... 118/411
- 5,169,071 A \* 12/1992 Boger et al. .... 239/296
- D335,809 S \* 5/1993 Reifenberger ..... D8/70
- 5,269,670 A \* 12/1993 Allen et al. .... 425/72.2

- 5,375,766 A 12/1994 Sweeney ..... 239/133
- 5,421,941 A \* 6/1995 Allen et al. .... 156/244.11
- D367,865 S \* 3/1996 Bajadali ..... D15/123
- D418,848 S \* 1/2000 Raterman ..... D15/144.1
- 6,032,832 A 3/2000 Dority et al. .... 222/214
- D429,263 S \* 8/2000 Auber et al. .... D15/144.2
- D456,427 S \* 4/2002 Gressett et al. .... D15/144
- D460,092 S \* 7/2002 Gressett et al. .... D15/144.1
- D473,883 S \* 4/2003 Huey et al. .... D15/144.2
- 6,540,152 B2 \* 4/2003 Holm et al. .... 239/1
- 6,578,773 B2 \* 6/2003 Holm et al. .... 239/1
- 6,676,038 B2 \* 1/2004 Gressett et al. .... 239/296
- D519,536 S \* 4/2006 de Leeuw et al. .... D15/144
- D577,046 S \* 9/2008 Ganzer et al. .... D15/144.1
- D588,617 S \* 3/2009 Burmester et al. .... D15/144
- 7,520,408 B1 4/2009 Smith et al. .... 222/146.5
- D599,388 S \* 9/2009 Schreck ..... D15/144
- 2003/0084846 A1 5/2003 Guzzon et al. .... 118/679
- 2008/0073448 A1 3/2008 Kendall ..... 239/337

\* cited by examiner

*Primary Examiner* — Patricia Palasik

(74) *Attorney, Agent, or Firm* — Browdy and Neimark, PLLC

(57) **CLAIM**

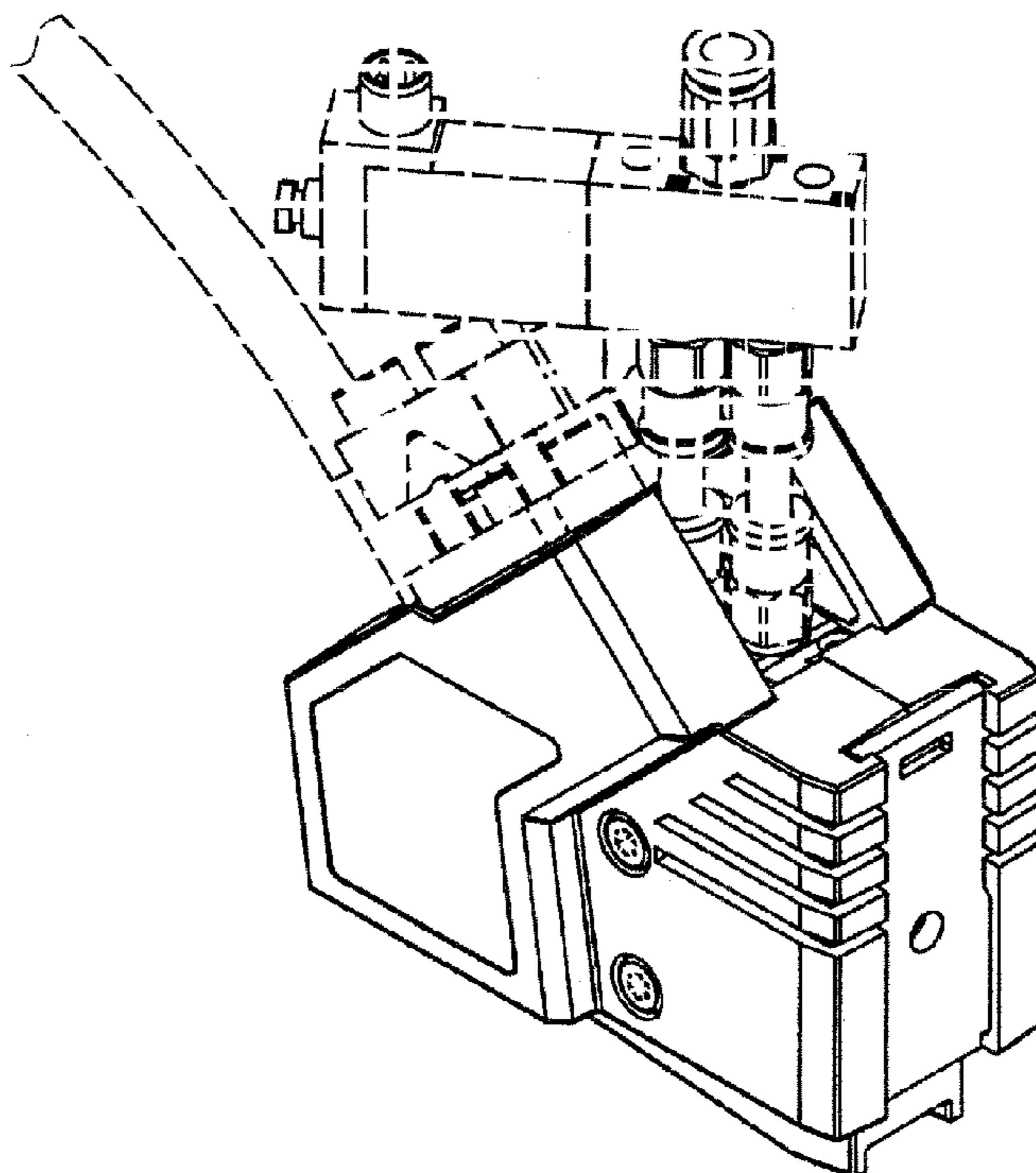
The ornamental design for a hot glue application device, as shown and described.

**DESCRIPTION**

FIG. 1 is a frontal view of a hot glue application device; FIG. 2 is a side view thereof; and, FIG. 3 is a perspective view thereof.

Those surfaces which are not shown in the drawing are not being claimed.

**1 Claim, 3 Drawing Sheets**



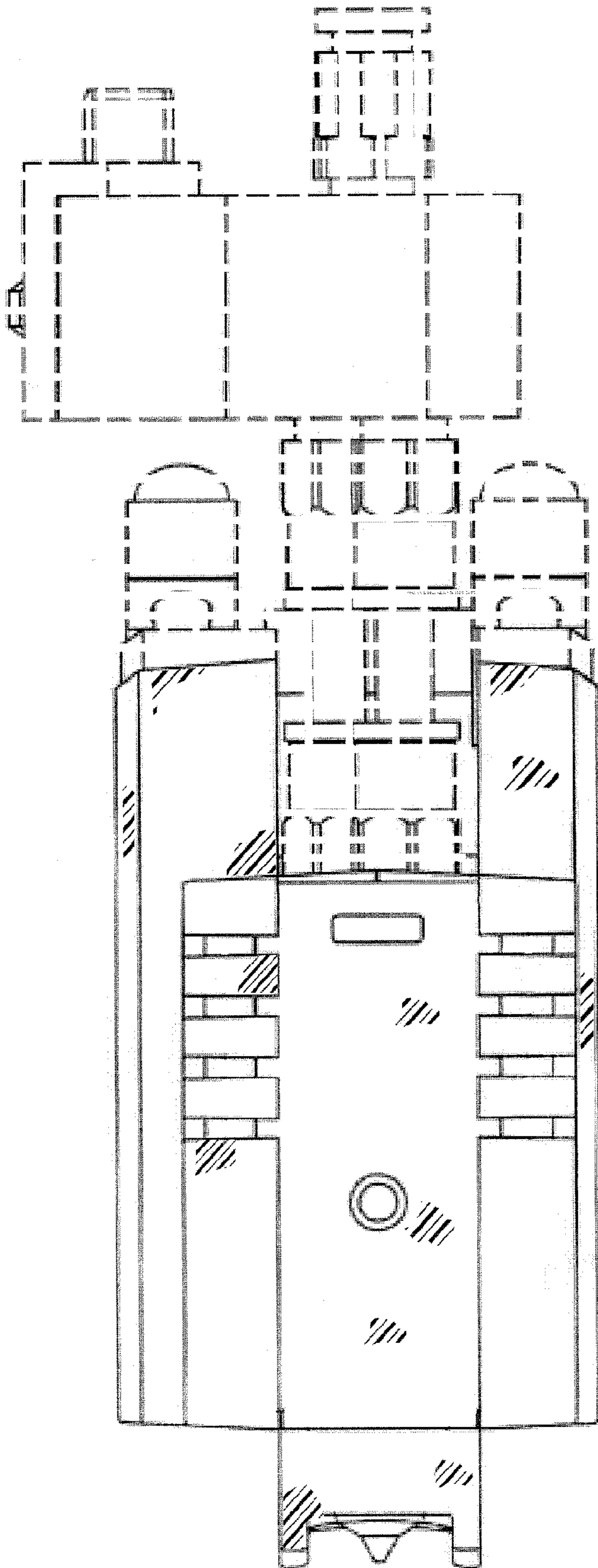


Fig. 1

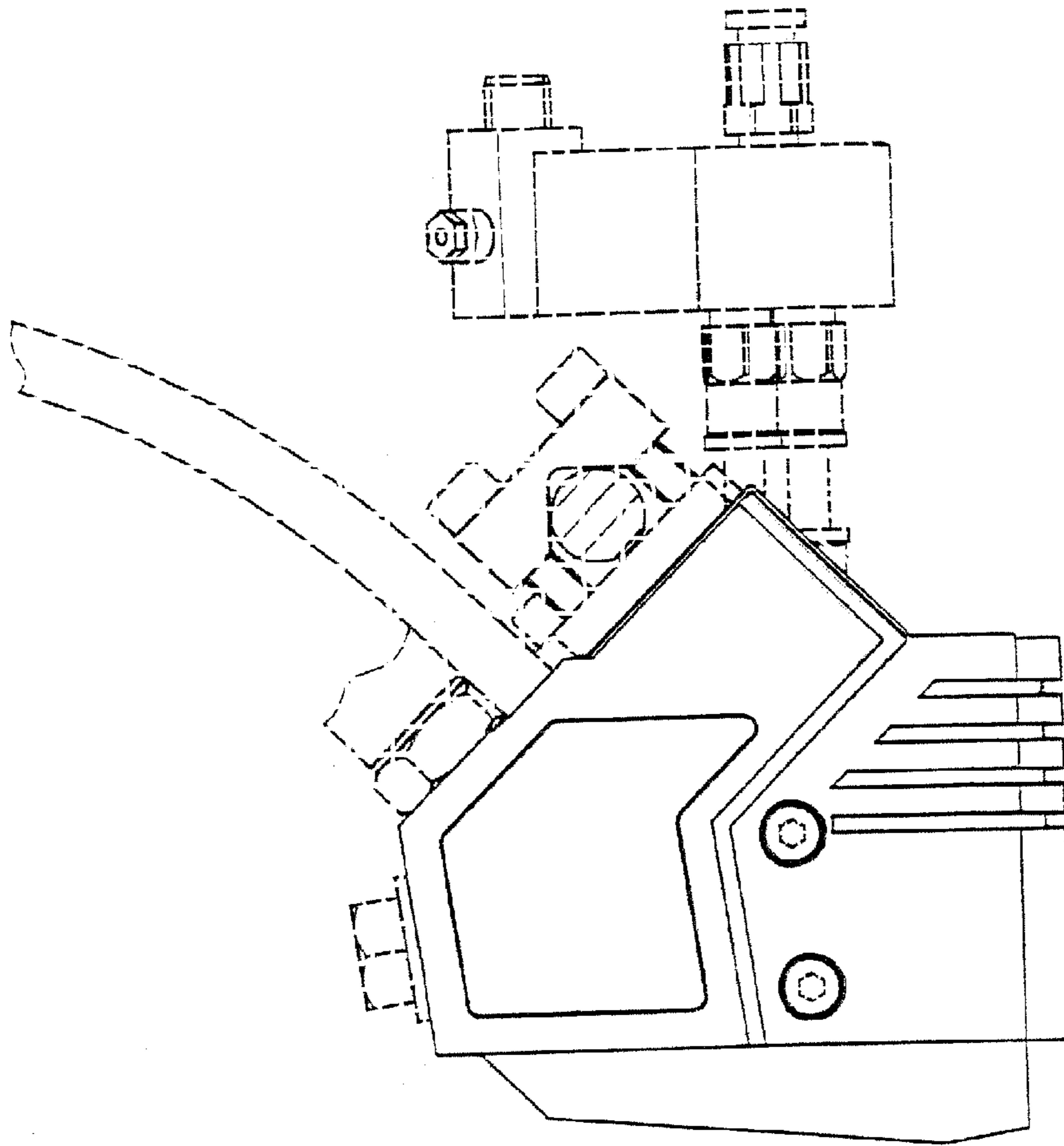


Fig. 2



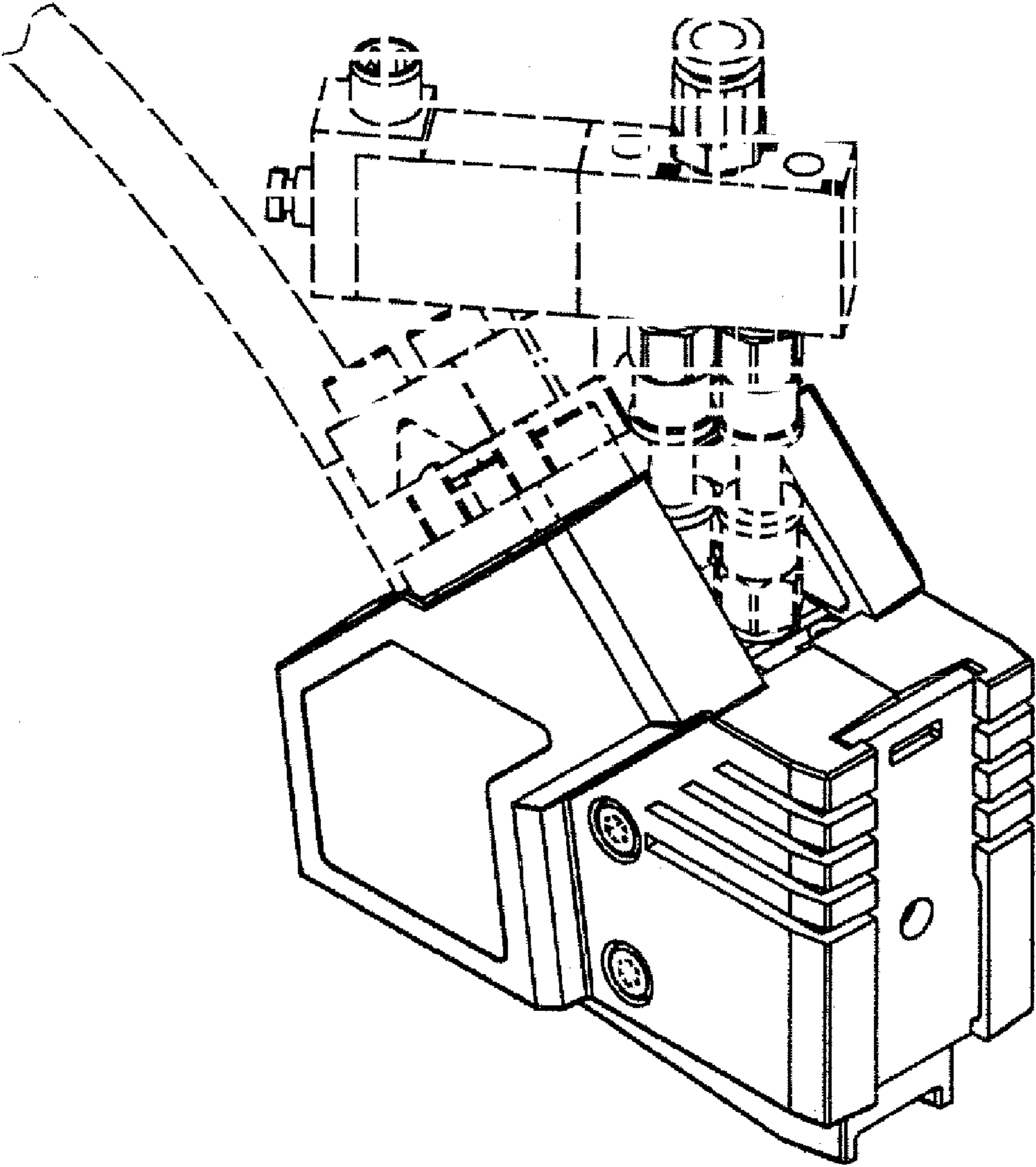


Fig. 3

UNITED STATES PATENT AND TRADEMARK OFFICE  
**CERTIFICATE OF CORRECTION**

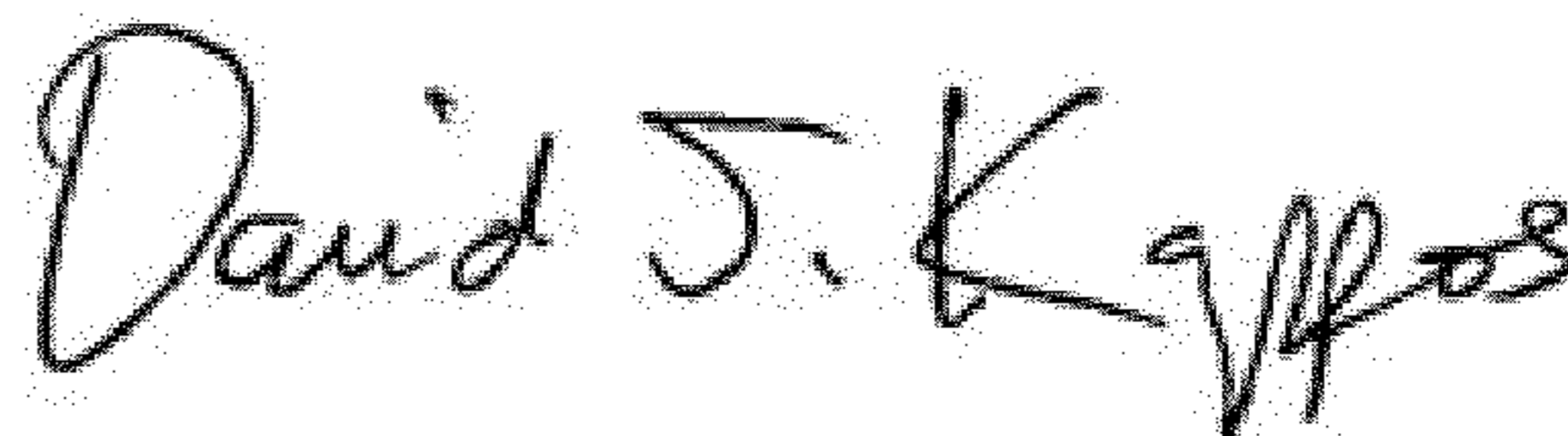
PATENT NO. : D643,054 S  
APPLICATION NO. : 29/381047  
DATED : August 9, 2011  
INVENTOR(S) : Markus Sennrich

Page 1 of 1

It is certified that error appears in the above-identified patent and that said Letters Patent is hereby corrected as shown below:

On the Title Page, Item (30) Foreign Application Priority Data, change the filing date from  
“July 16, 2008” to read as --June 3, 2008--.

Signed and Sealed this  
Twenty-sixth Day of June, 2012

A handwritten signature in black ink that reads "David J. Kappos". The signature is written in a cursive style with a large initial "D" and "K".

David J. Kappos  
*Director of the United States Patent and Trademark Office*