



US00D643052S

(12) **United States Design Patent**
Hagele et al.

(10) **Patent No.:** **US D643,052 S**

(45) **Date of Patent:** **** Aug. 9, 2011**

(54) **AGRICULTURAL BALE PRESS**
(75) Inventors: **Carl J. Hagele**, Chicago, IL (US); **Pieter M. I. Steen**, Ieper (BE); **Sandor W Van Vooren**, Sijsele-Damme (BE); **Jan H. W. Raaben**, Brugge (BE)

(73) Assignee: **CNH America LLC**, New Holland, PA (US)

(**) Term: **14 Years**

(21) Appl. No.: **29/380,813**

(22) Filed: **Dec. 10, 2010**

(30) **Foreign Application Priority Data**

Jun. 10, 2010 (EP) 00178123

(51) **LOC (9) Cl.** **15-03**

(52) **U.S. Cl.** **D15/33; D15/27; D15/28**

(58) **Field of Classification Search** D15/33,
D15/27, 28, 10-13; 298/7, 24, 25, 26, 27
See application file for complete search history.

(56) **References Cited**

U.S. PATENT DOCUMENTS

D182,287 S	3/1958	Kermes et al.
D184,568 S	3/1959	Kermes et al.
D187,607 S	4/1960	Kermes et al.
D188,800 S	9/1960	Kermes et al.
D196,851 S	11/1963	Kermes
D198,042 S	4/1964	McGirk et al.
D199,798 S	12/1964	Bywater et al.
D200,423 S	2/1965	Kermes
D207,855 S	6/1967	Kermes
D284,116 S	6/1986	Linde et al.
D284,382 S	6/1986	Black et al.

D399,851 S *	10/1998	Stauffer et al.	D15/10
D400,543 S *	11/1998	Benedict et al.	D15/10
D432,143 S *	10/2000	Olson et al.	D15/10
D436,363 S *	1/2001	Strong et al.	D15/10
D438,217 S *	2/2001	Olson et al.	D15/10
D460,461 S *	7/2002	Strong et al.	D15/10
D527,393 S *	8/2006	Maas et al.	D15/28
7,152,521 B2	12/2006	Freihart	
D544,886 S *	6/2007	Pedracini et al.	D15/26
D568,342 S *	5/2008	Kleingraeber	D15/26
D599,830 S *	9/2009	Jacobsthal et al.	D15/33
D608,374 S	1/2010	De Rycke et al.	
D619,627 S *	7/2010	Budde	D15/28
2006/0230950 A1 *	10/2006	Freihart	100/88

* cited by examiner

Primary Examiner — Mark Goodwin

(74) *Attorney, Agent, or Firm* — Patrick M. Sheldrake; Michael G. Harms

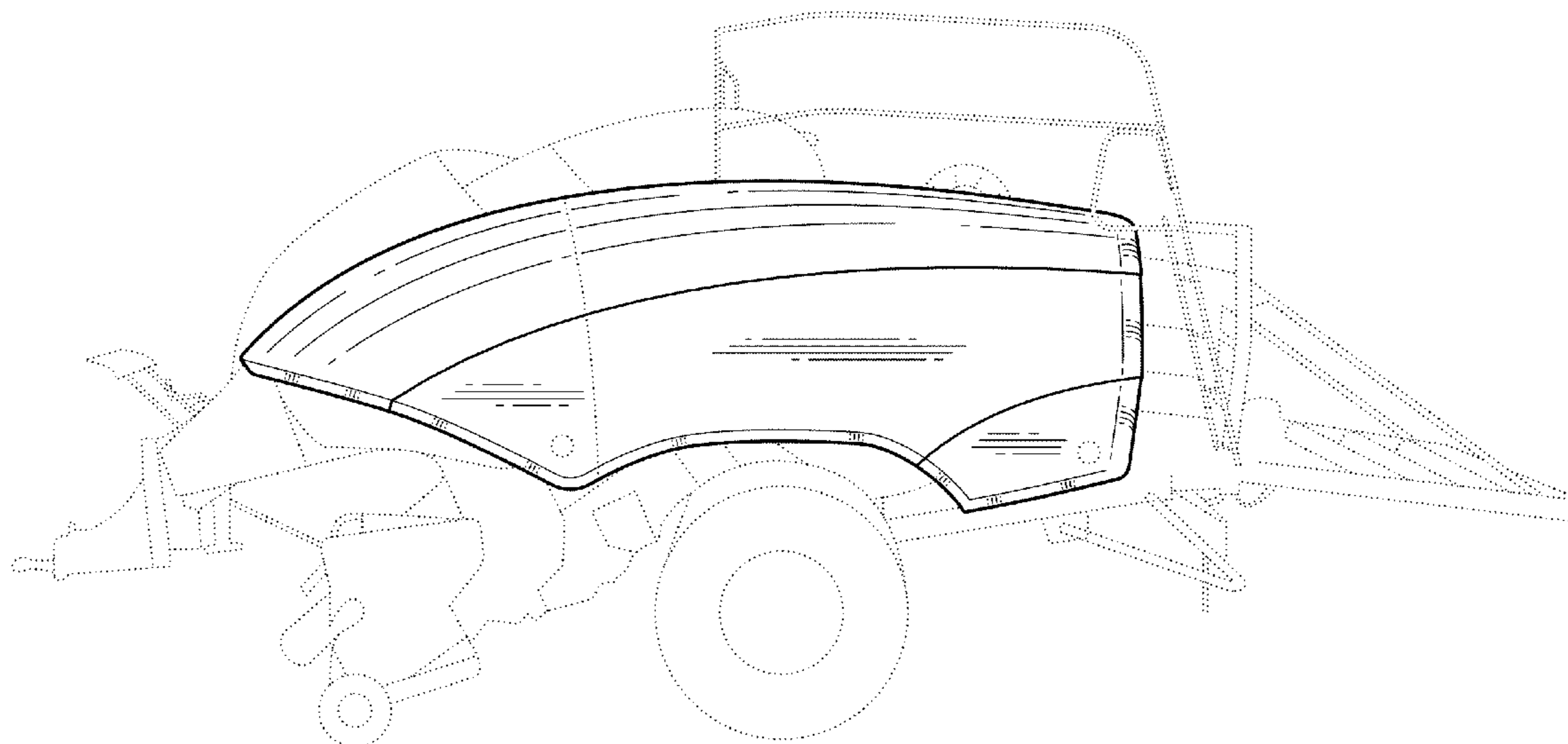
(57) **CLAIM**

We claim the ornamental design for an agricultural bale press, as shown and described.

DESCRIPTION

FIG. 1 is a front perspective view of an agricultural bale press showing our new design;
FIG. 2 is a front view thereof;
FIG. 3 is a rear view thereof;
FIG. 4 is a right side view thereof;
FIG. 5 is a left side view thereof;
FIG. 6 is a top view thereof; and,
FIG. 7 is a bottom view thereof.
Only the shapes and portions bounded by solid lines form the claimed design. The elements depicted in dashed lines are shown for illustrative purpose of environment and form no part of the ornamental design.

1 Claim, 5 Drawing Sheets



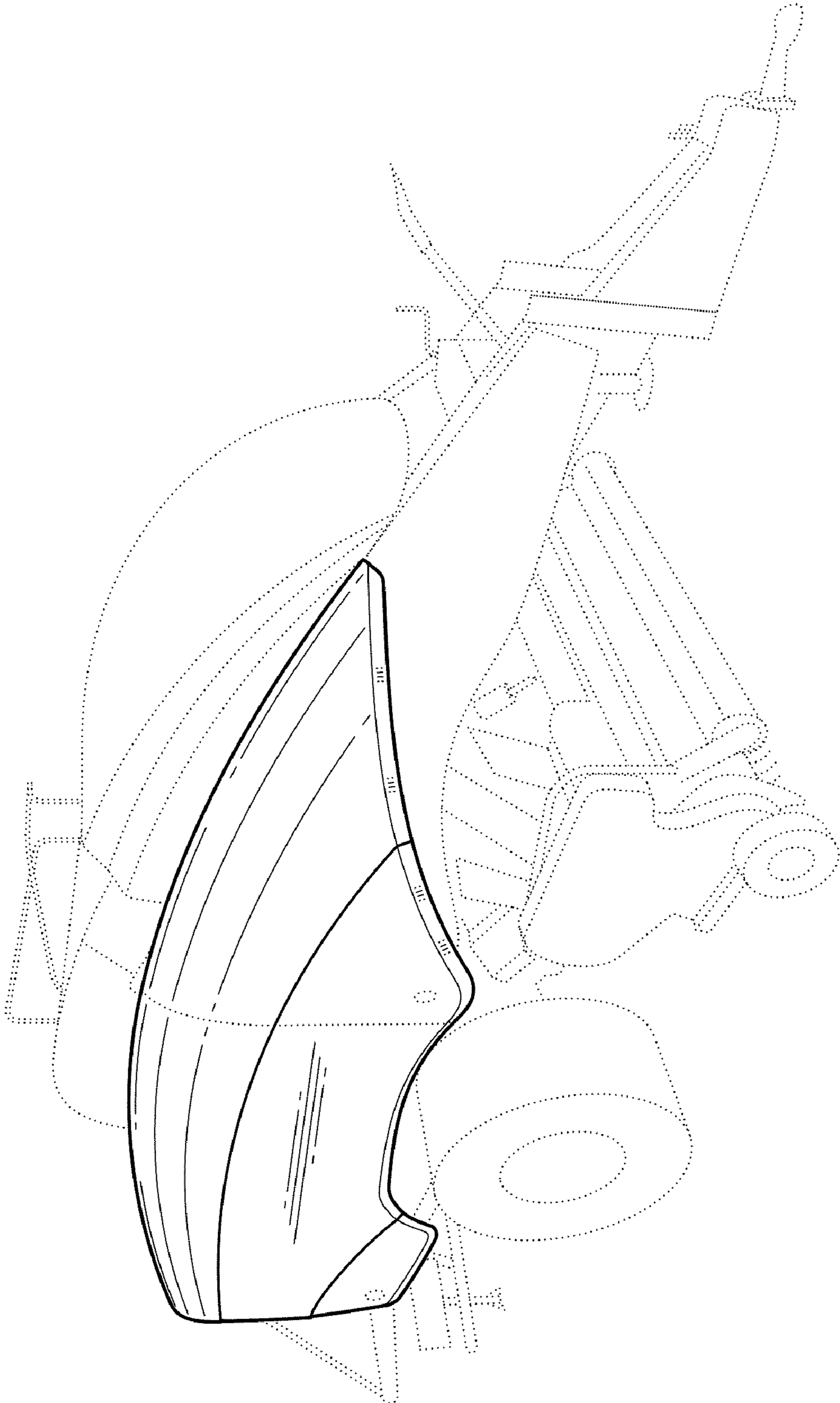


FIG. 1

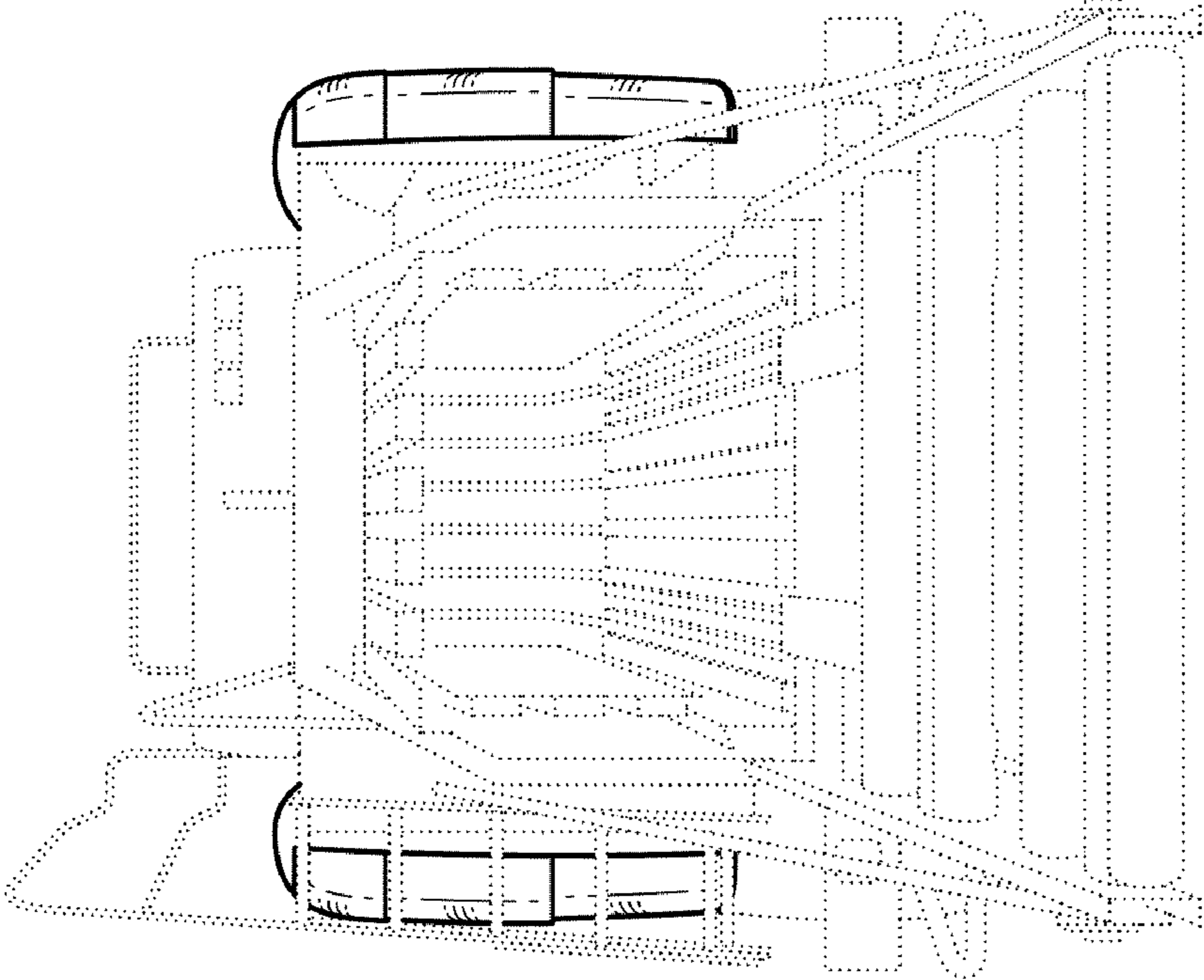


FIG. 3

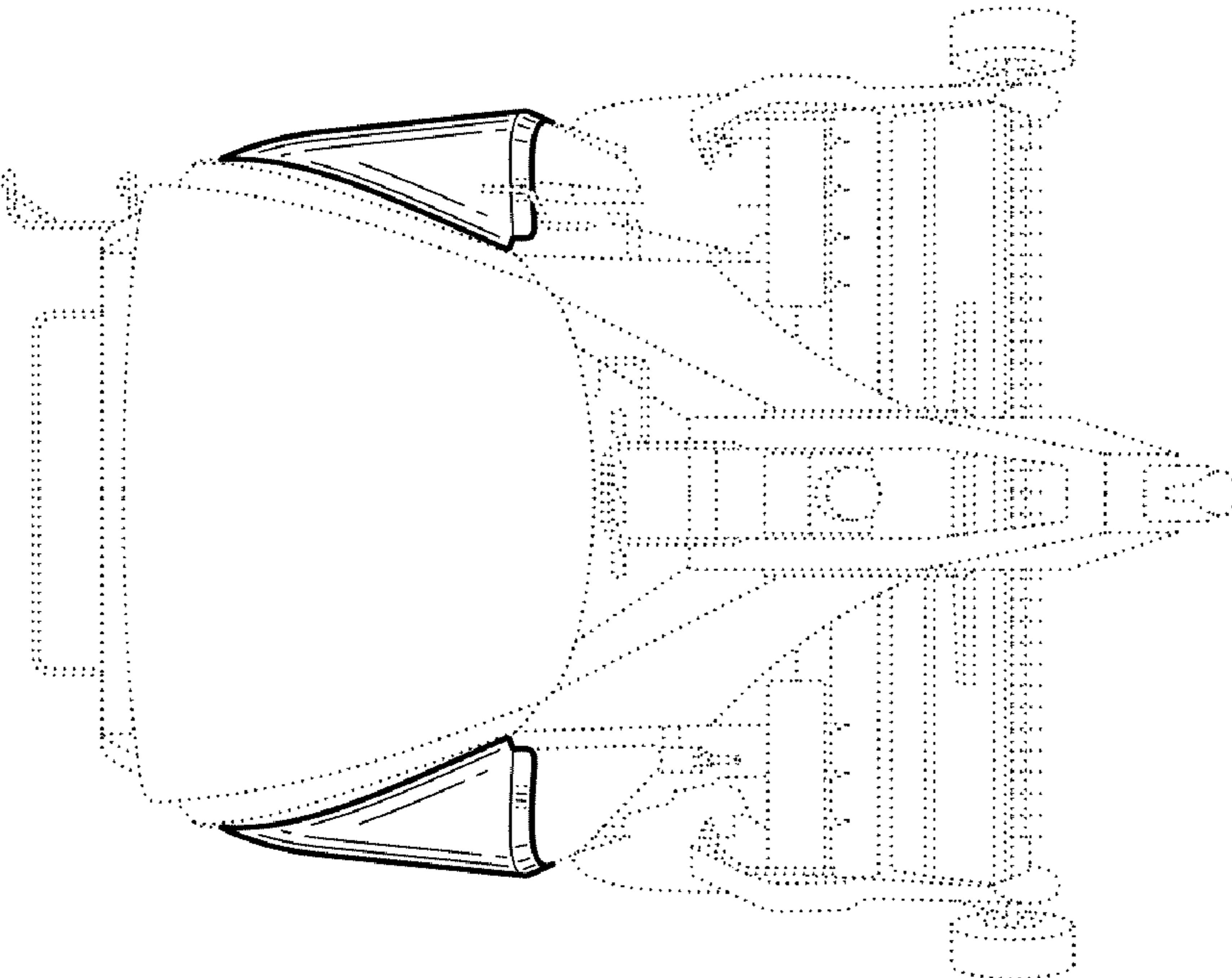


FIG. 2

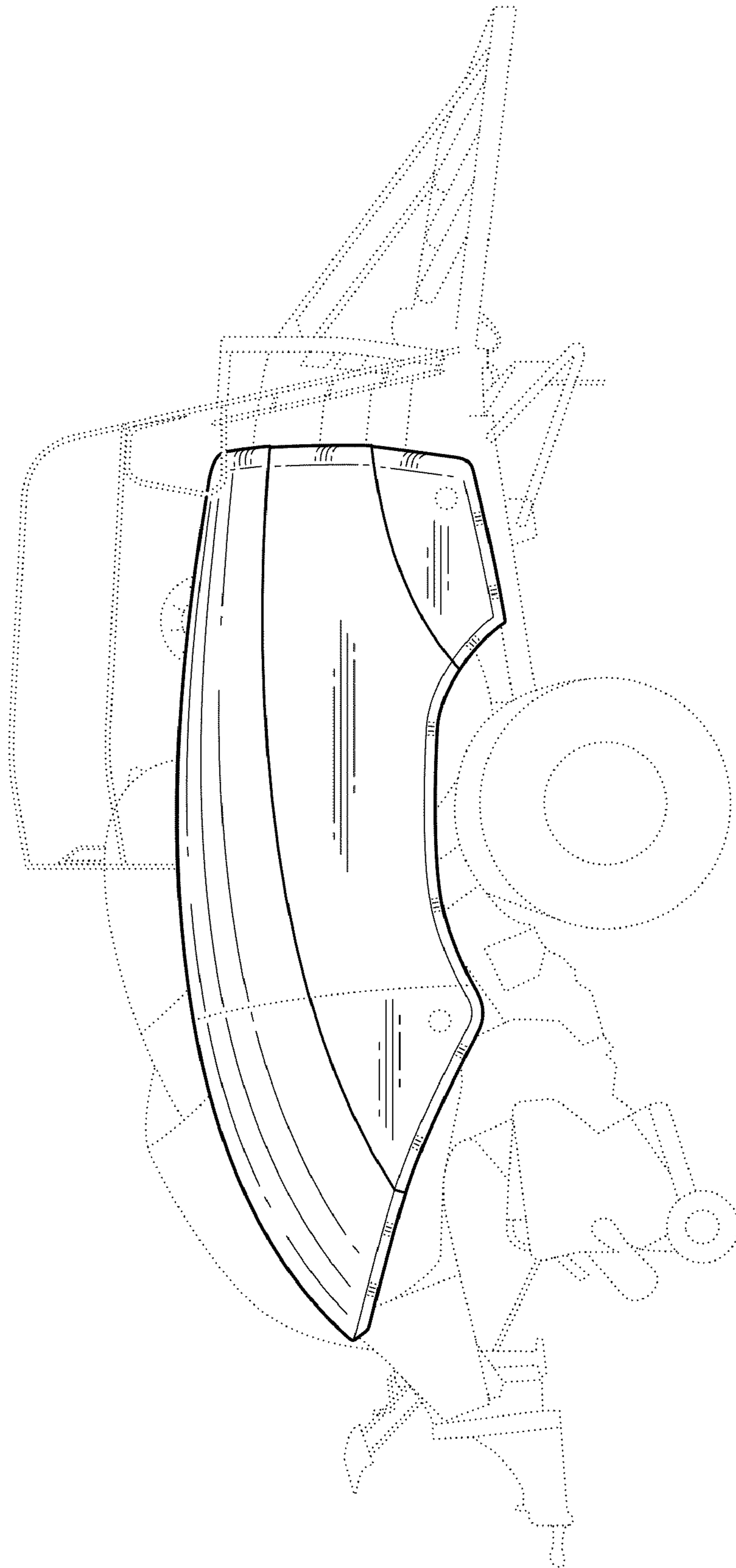


FIG. 4

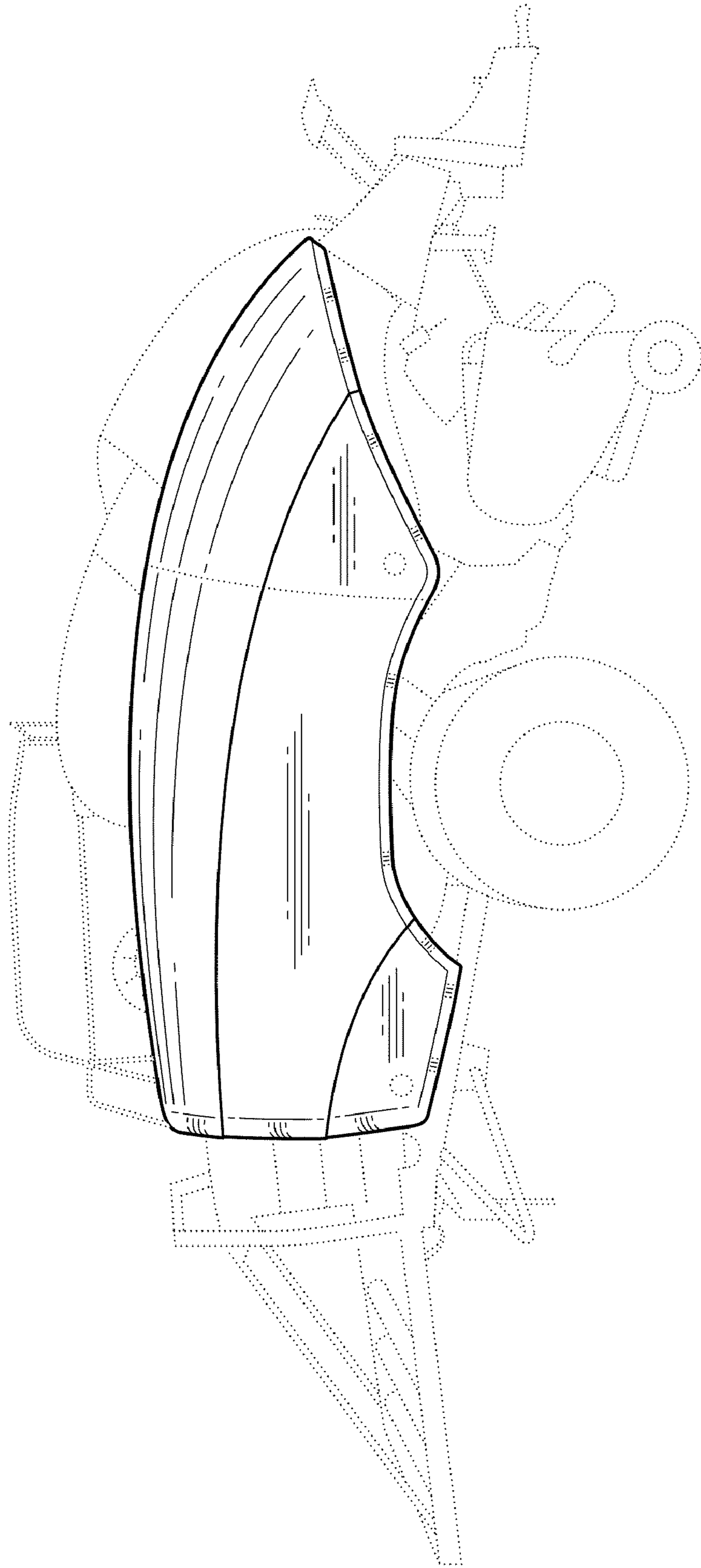


FIG. 5

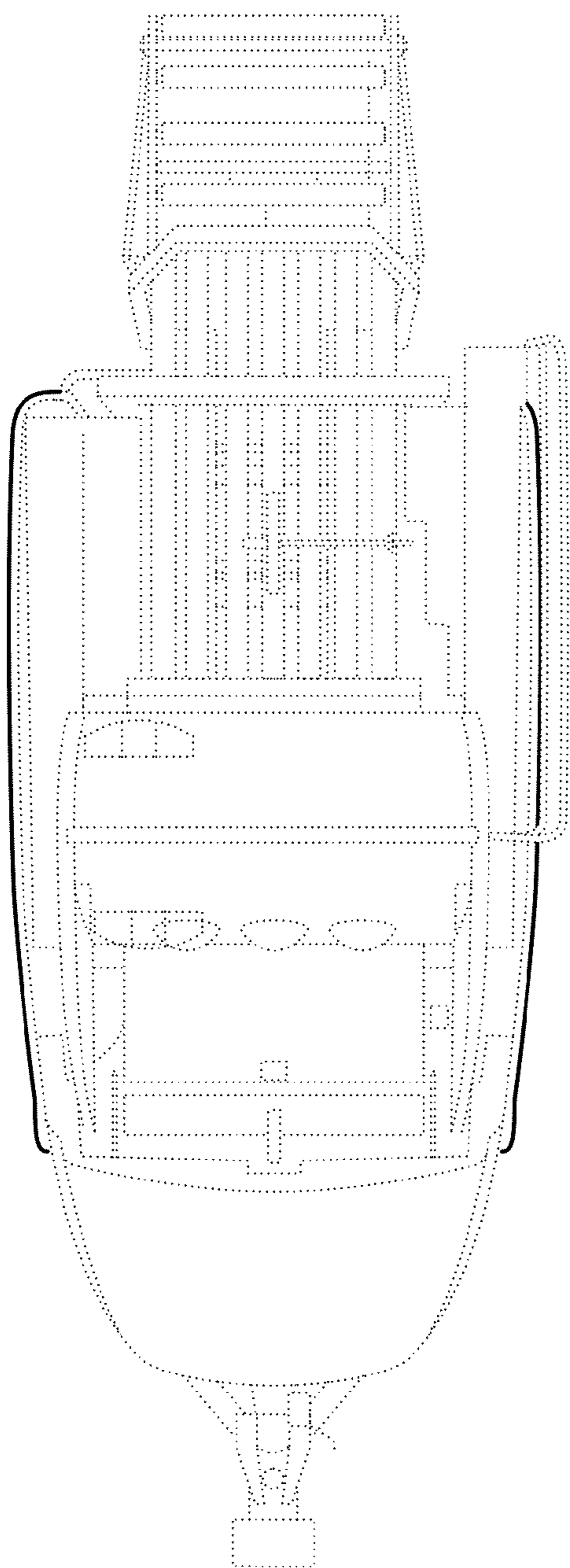


FIG. 6

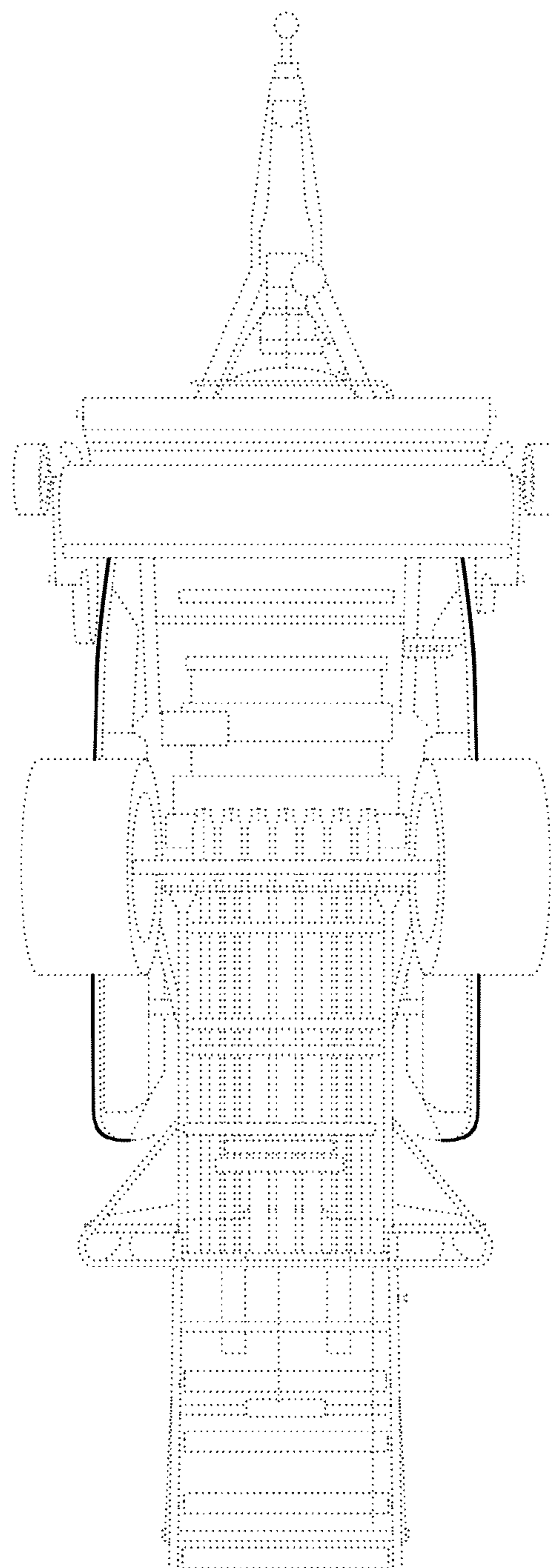


FIG. 7