

US00D643051S

(12) **United States Design Patent**  
**Bercsik**

(10) **Patent No.:** **US D643,051 S**

(45) **Date of Patent:** **\*\* Aug. 9, 2011**

(54) **COUPLER**

(75) **Inventor:** **Jeffrey Bercsik**, Uniontown, OH (US)

(73) **Assignee:** **Baird, Inc.**, Stow, OH (US)

(\*\*) **Term:** **14 Years**

(21) **Appl. No.:** **29/379,266**

(22) **Filed:** **Nov. 17, 2010**

(51) **LOC (9) Cl.** ..... **15-03**

(52) **U.S. Cl.** ..... **D15/32**

(58) **Field of Classification Search** ..... D15/10,  
D15/11, 22-26, 28, 32; 414/723; 37/468;  
403/321, 324, 325, 24; 172/272-275, 754,  
172/760

See application file for complete search history.

(56) **References Cited**

**U.S. PATENT DOCUMENTS**

3,930,668	A *	1/1976	Schuermann et al. ....	280/763.1
D274,251	S *	6/1984	Hustveit .....	D15/32
4,708,579	A	11/1987	Baird et al.	
4,963,071	A	10/1990	Larwin et al.	
5,310,275	A *	5/1994	Lovitt .....	403/322.3
5,865,594	A	2/1999	Kim	
6,513,268	B2 *	2/2003	Lee et al. ....	37/468
6,860,706	B2 *	3/2005	Godwin et al. ....	414/723
6,866,467	B2 *	3/2005	Dvorak et al. ....	414/723
D528,569	S *	9/2006	Nilsson .....	D15/32
7,182,546	B1 *	2/2007	Kimble .....	403/322.3
7,225,566	B1 *	6/2007	Kimble .....	37/468
D585,462	S *	1/2009	Smith et al. ....	D15/28
D610,172	S *	2/2010	Yukino et al. ....	D15/32
7,686,532	B2 *	3/2010	Kimble .....	403/322.3
7,690,880	B2 *	4/2010	Honeyman et al. ....	414/723
7,814,689	B2 *	10/2010	Vering et al. ....	37/468

7,836,616	B2 *	11/2010	Esser et al. ....	37/468
2007/0245603	A1 *	10/2007	Vering et al. ....	37/468
2008/0141566	A1 *	6/2008	Esser et al. ....	37/468
2009/0051163	A1 *	2/2009	Frey et al. ....	285/305
2009/0304486	A1 *	12/2009	Bricker et al. ....	414/723
2010/0104359	A1 *	4/2010	Seda et al. ....	403/359.5

**OTHER PUBLICATIONS**

Volvo Wheel Loaders L60F, L70F, L90F, brochure, Nov. 2007, 36 pages, Volvo Construction Equipment, published in the USA.  
Volvo-Style Male Master Coupler (brochure) ACS Industries, Inc., 1 page.  
Quick Coupler Systems for Loaders (brochure) ACS Industries, Inc., 3 pages.

\* cited by examiner

*Primary Examiner* — Mark Goodwin

(74) *Attorney, Agent, or Firm* — Shannon V. McCue; Hahn, Loser & Parks LLP; Mark A. Watkins

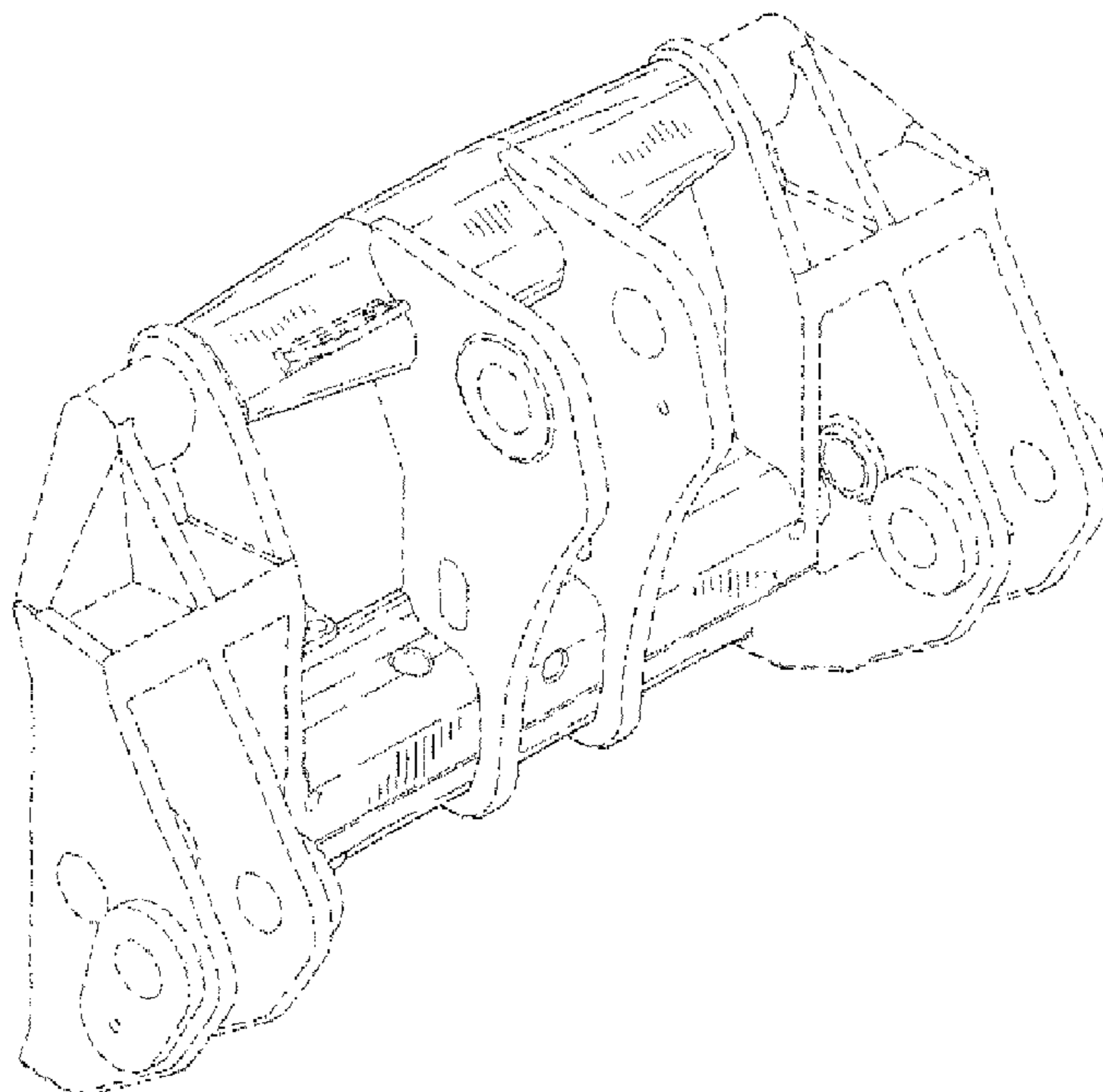
(57) **CLAIM**

The ornamental design for a coupler, as shown and described.

**DESCRIPTION**

FIG. 1 is a rear perspective view of a coupler showing my new design;  
FIG. 2 is a front perspective view thereof;  
FIG. 3 is a elevational view thereof;  
FIG. 4 is a front elevational view thereof;  
FIG. 5 is a top plan view thereof;  
FIG. 6 is a bottom plan view thereof;  
FIG. 7 is a left side elevational view thereof; and,  
FIG. 8 is a right side elevational view thereof.  
The broken line showing of a coupler is included for the purpose of illustrating environmental structure and forms no part of the claimed design.

**1 Claim, 4 Drawing Sheets**



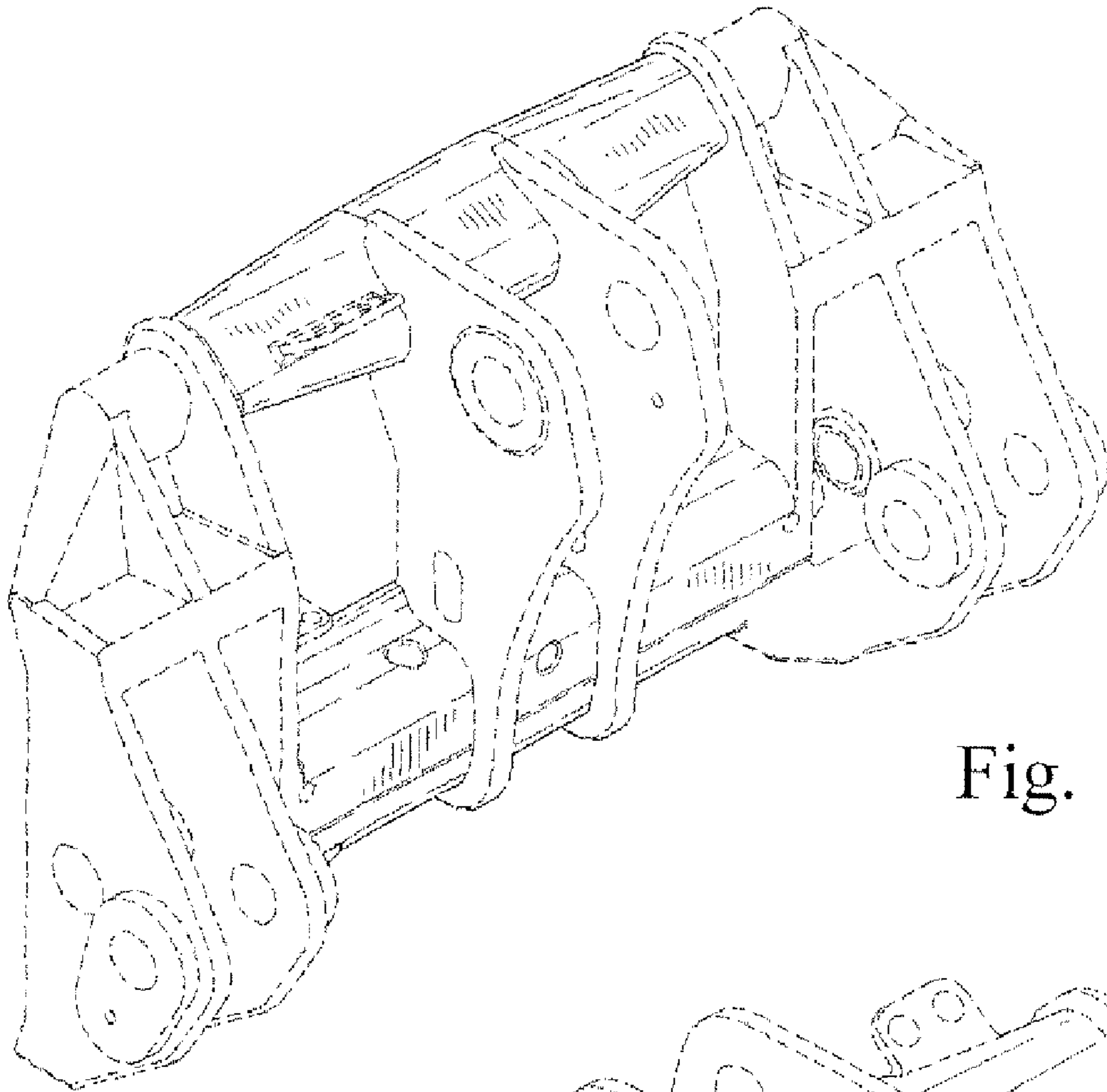


Fig. 1

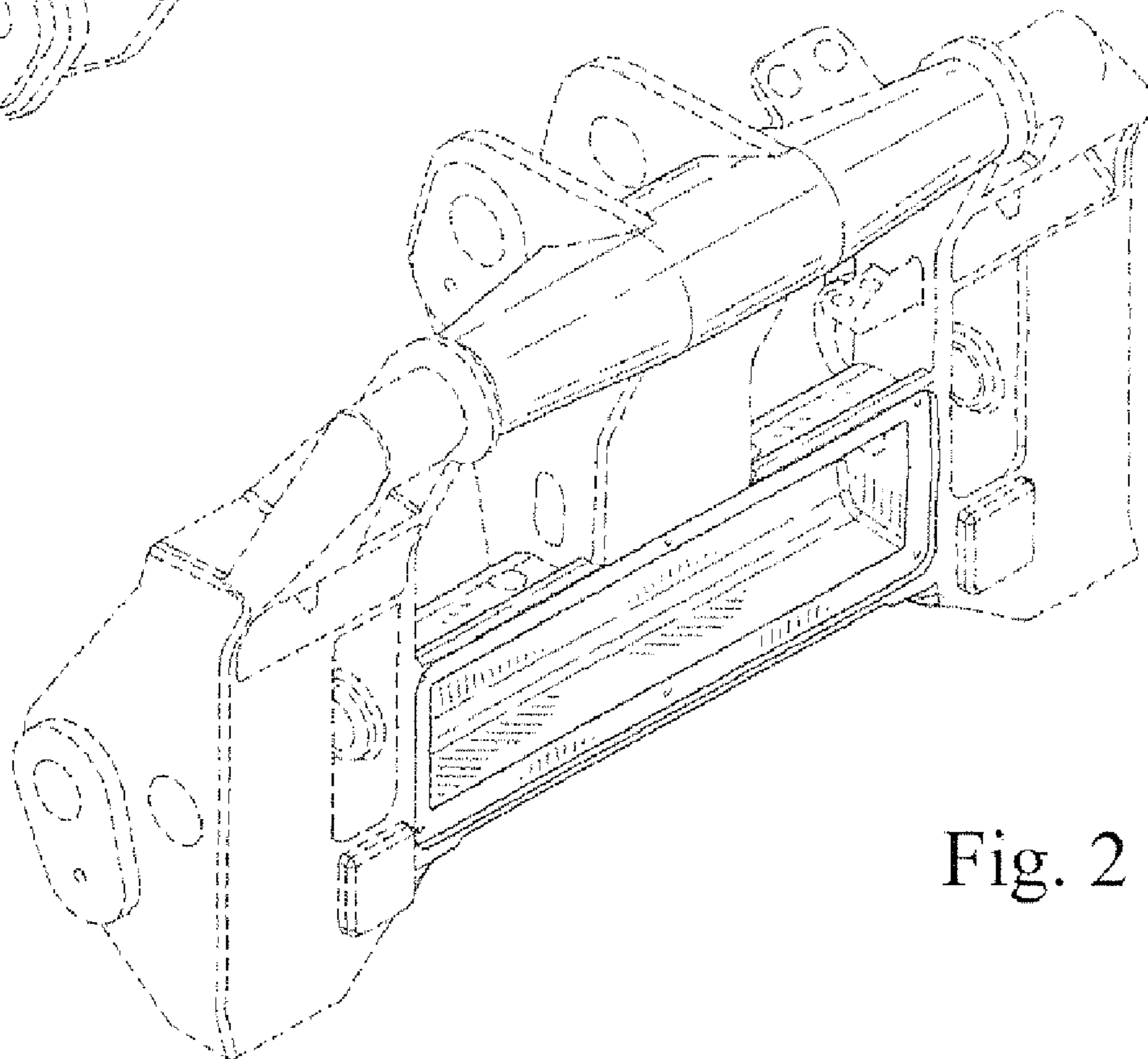


Fig. 2

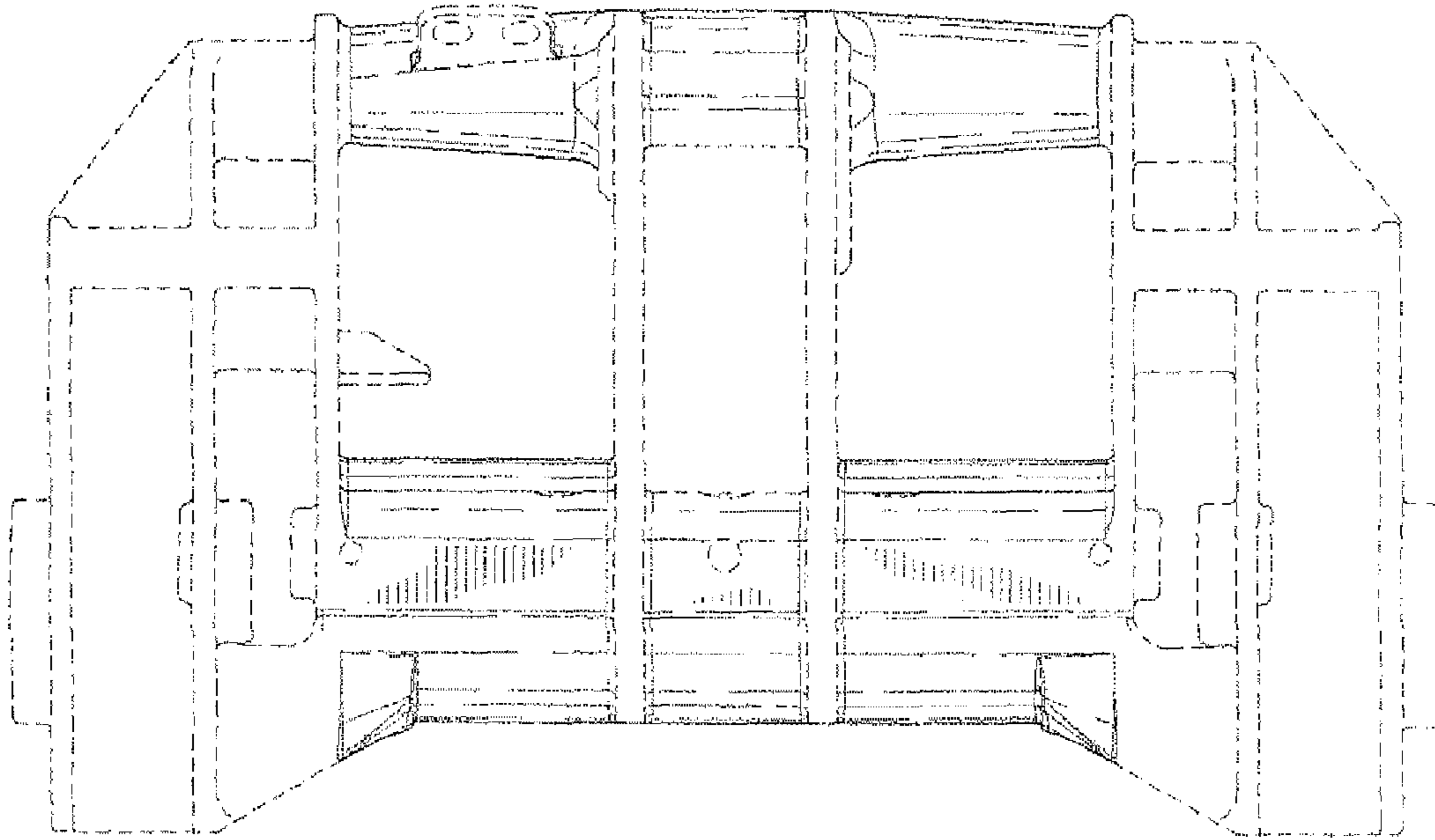


Fig. 3

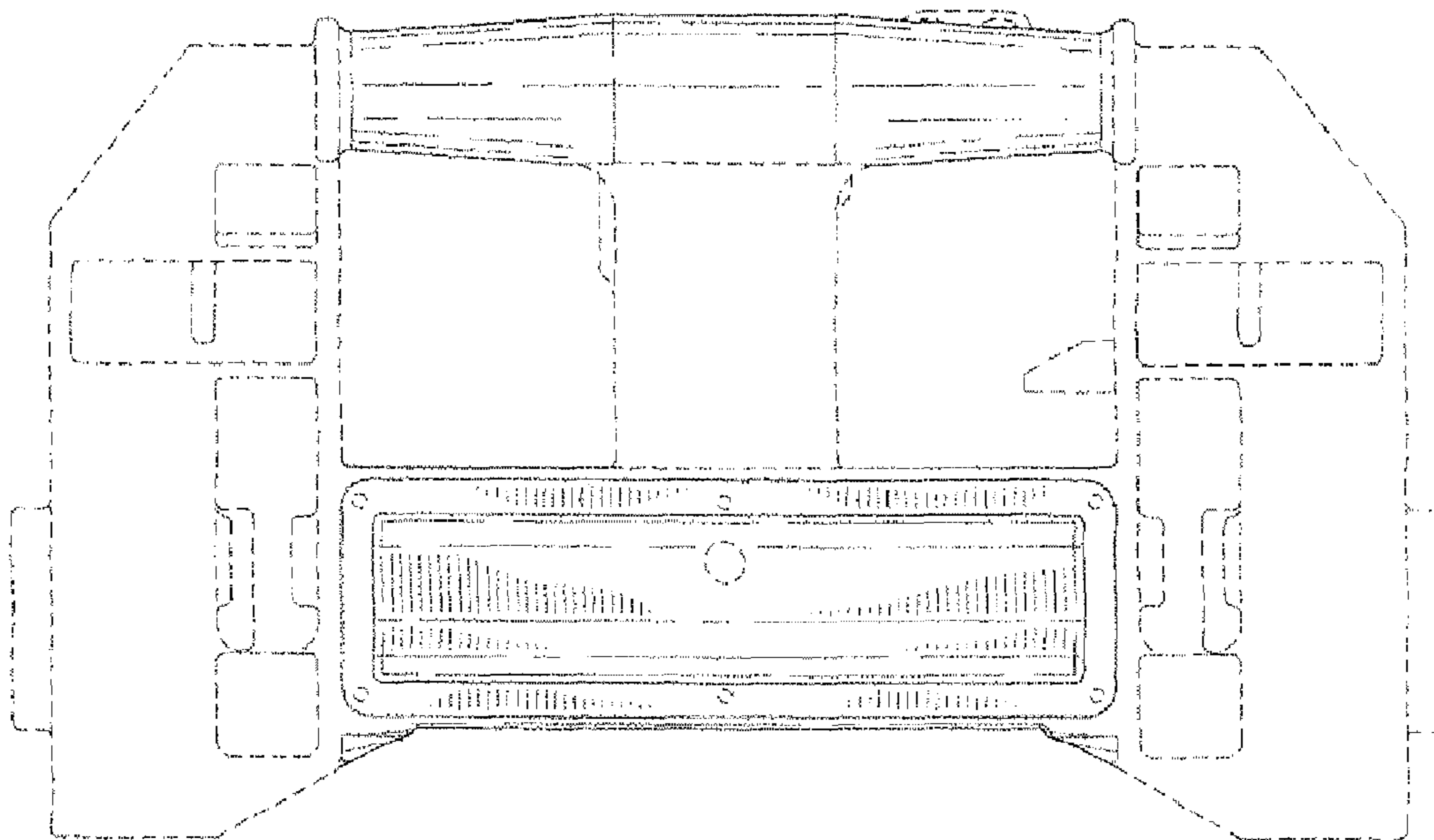


Fig. 4

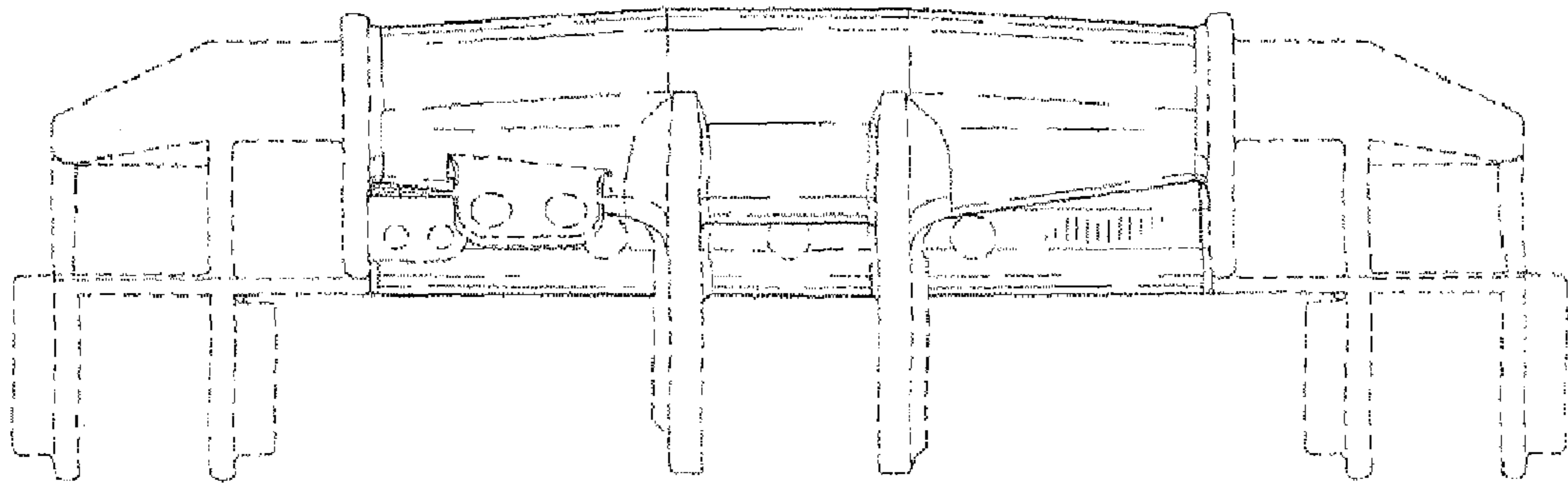


Fig. 5

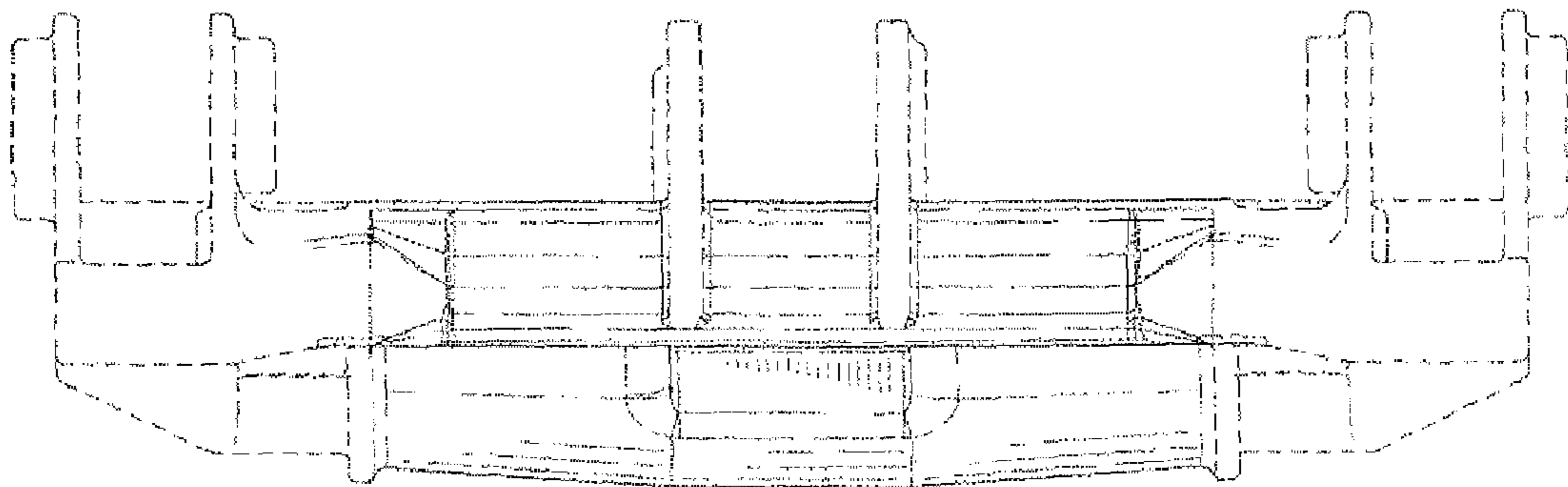


Fig. 6



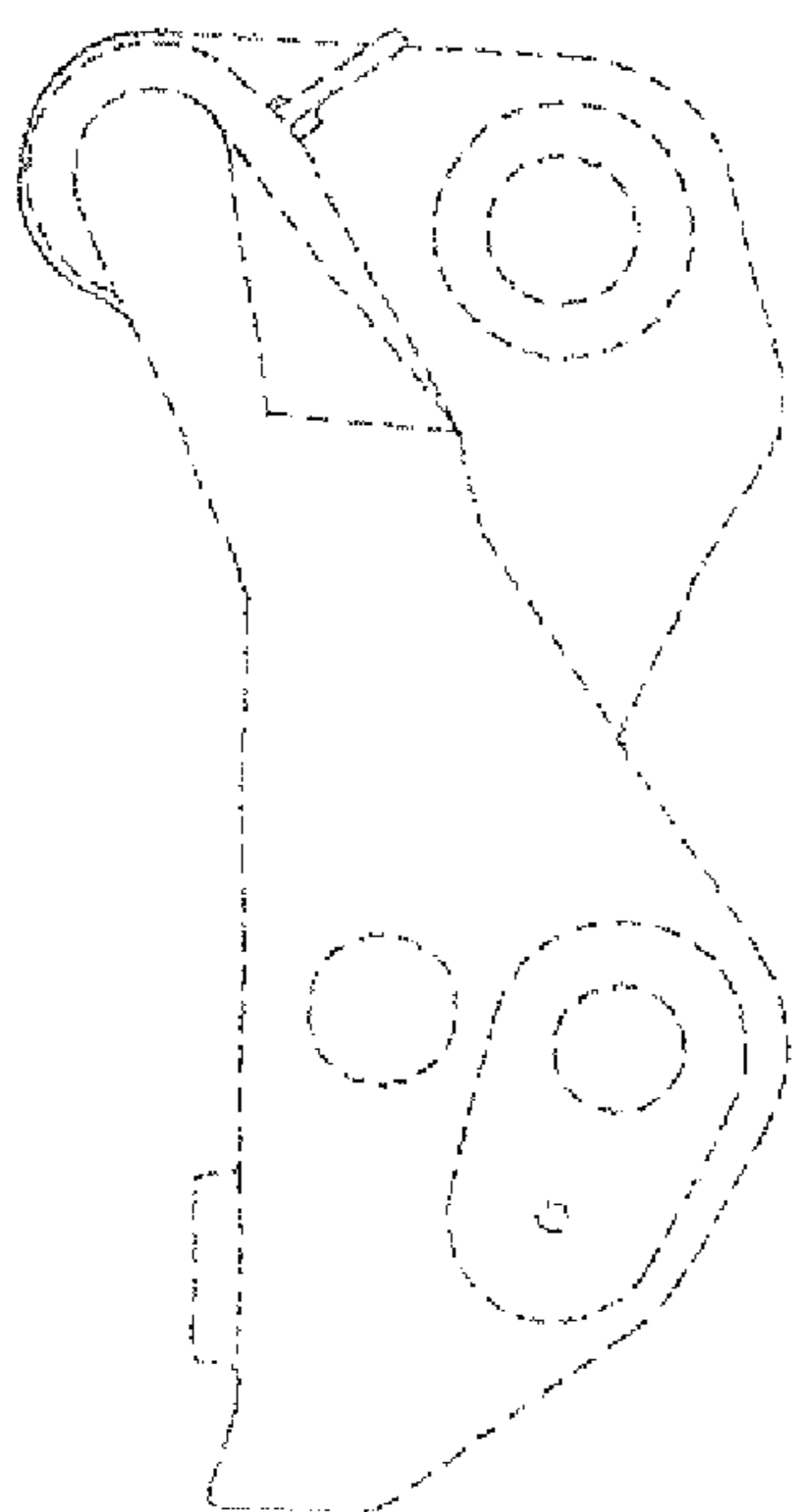


Fig. 7

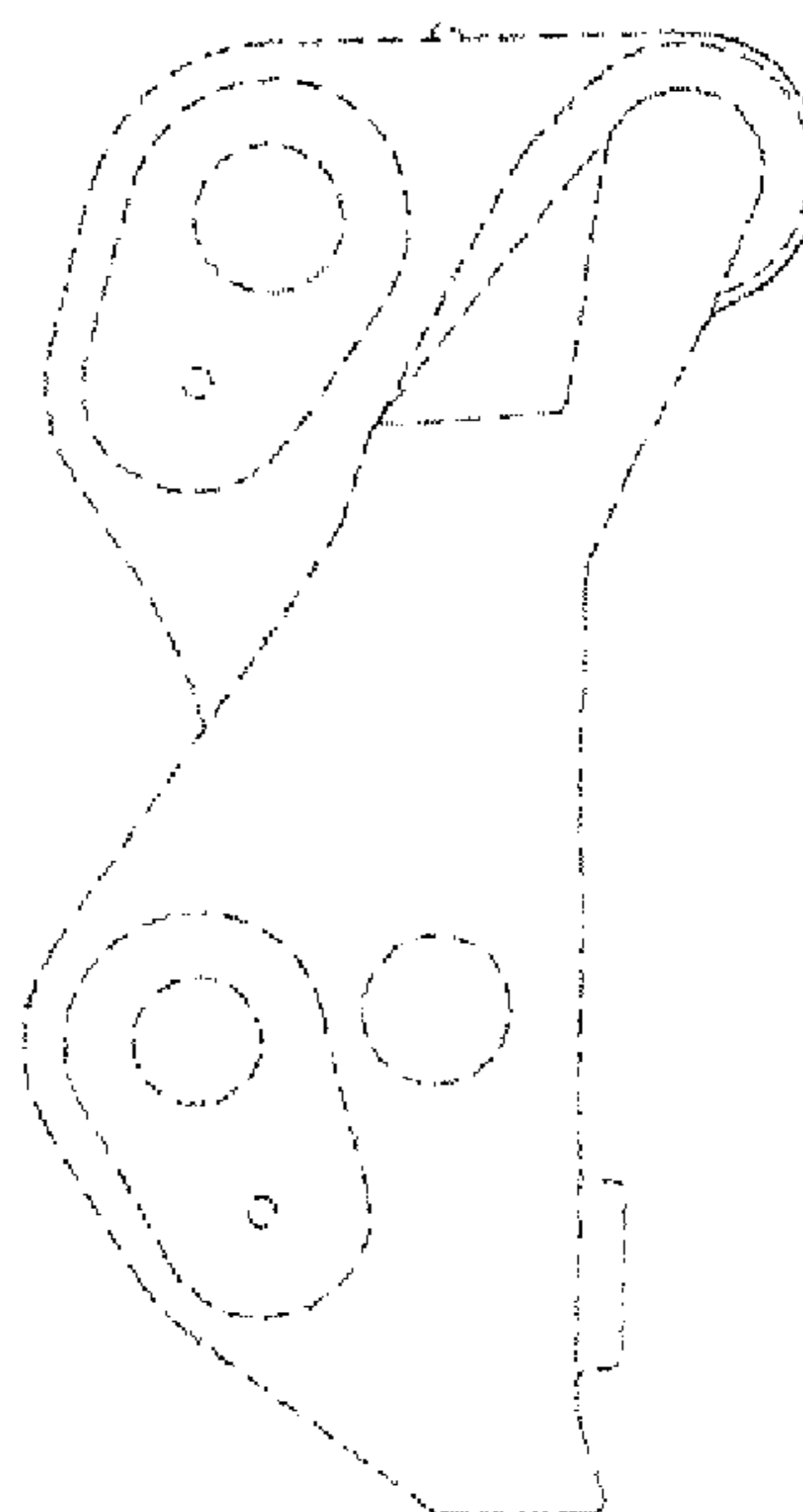


Fig. 8