



US00D643050S

(12) **United States Design Patent**  
**Rajderkar et al.**

(10) **Patent No.:** **US D643,050 S**

(45) **Date of Patent:** **\*\* Aug. 9, 2011**

- (54) **COWL**
- (75) Inventors: **Aditya Rajderkar**, Decatur, IL (US);  
**Sarath Chirumamila**, Decatur, IL (US)
- (73) Assignee: **Caterpillar Inc.**, Peoria, IL (US)
- (\*\*) Term: **14 Years**
- (21) Appl. No.: **29/381,472**
- (22) Filed: **Dec. 20, 2010**
- (51) **LOC (9) Cl.** ..... **15-03**
- (52) **U.S. Cl.** ..... **D15/31**
- (58) **Field of Classification Search** ..... D15/10,  
D15/11, 28, 22-26, 30, 31, 33; D12/163,  
D12/166, 170-172; 56/13.3, 13.4, 15.8,  
56/15.9, 16.1, 16.7, 202; 180/89.1, 89.12,  
180/900, 68.4, 69.2; 293/115  
See application file for complete search history.

- D559,869 S 1/2008 Kelley et al.
- D562,743 S \* 2/2008 Hanson et al. .... D12/169
- D578,038 S 10/2008 Kelley et al.
- D578,435 S 10/2008 Bryant et al.
- D580,300 S 11/2008 Bryant et al.
- D587,169 S 2/2009 Kelley et al.
- D588,956 S 3/2009 Kelley et al.
- D590,745 S 4/2009 Bryant et al.
- D594,382 S 6/2009 Bryant et al.
- D596,076 S 7/2009 Kelley et al.
- D596,077 S 7/2009 Bryant et al.
- D597,106 S 7/2009 Kelley et al.
- D624,565 S \* 9/2010 Rummer et al. .... D15/23
- D624,566 S \* 9/2010 Patkar et al. .... D15/23
- D626,152 S \* 10/2010 Patkar et al. .... D15/23
- D629,818 S \* 12/2010 Rummer et al. .... D15/31

\* cited by examiner

*Primary Examiner* — Mark Goodwin

(74) *Attorney, Agent, or Firm* — James Derel Monteith

(57) **CLAIM**

The ornamental design for a cowl, as shown and described.

(56) **References Cited**

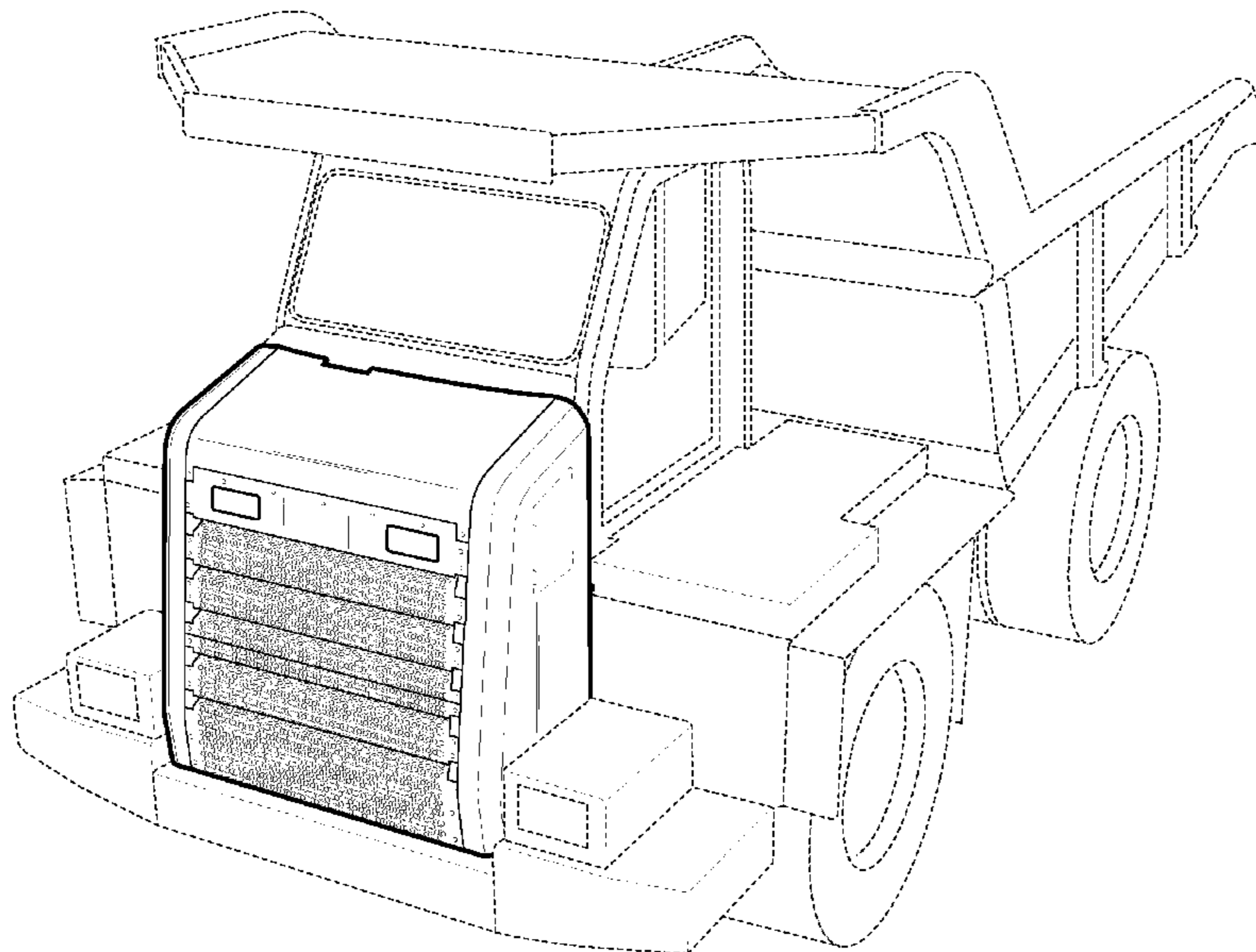
**U.S. PATENT DOCUMENTS**

- 2,796,141 A \* 6/1957 Schreiner ..... 180/68.6
- D224,651 S 8/1972 Lorenz et al.
- D227,094 S 6/1973 Skyer et al.
- D230,876 S 3/1974 Lorenz et al.
- 4,335,797 A \* 6/1982 Simmons ..... 180/69.22
- 4,483,412 A \* 11/1984 Couturier ..... 181/204
- D284,577 S \* 7/1986 DuBose ..... D15/28
- D356,584 S 3/1995 Innes
- D401,945 S \* 12/1998 Cunningham et al. .... D15/31
- D404,697 S 1/1999 Siltavuori
- D406,594 S \* 3/1999 Miller et al. .... D15/31
- D480,997 S \* 10/2003 DeBerti ..... D12/163
- D508,499 S 8/2005 Kurtz, Jr.
- D517,096 S \* 3/2006 Landers et al. .... D15/28
- D522,537 S \* 6/2006 Higashikawa ..... D15/31

**DESCRIPTION**

FIG. 1 is a perspective view of a cowl showing our new design in use condition, with the broken line showing of a vehicle forming no part of the claimed design;  
 FIG. 2 is a right, front perspective view thereof;  
 FIG. 3 is a left, front perspective view thereof;  
 FIG. 4 is a left view thereof; and,  
 FIG. 5 is a right view thereof.  
 The top view, the bottom view, and the rear view do not form part of the claimed design and therefore are not disclosed.  
 The elements depicted in dashed lines form no part of the ornamental design.

**1 Claim, 5 Drawing Sheets**



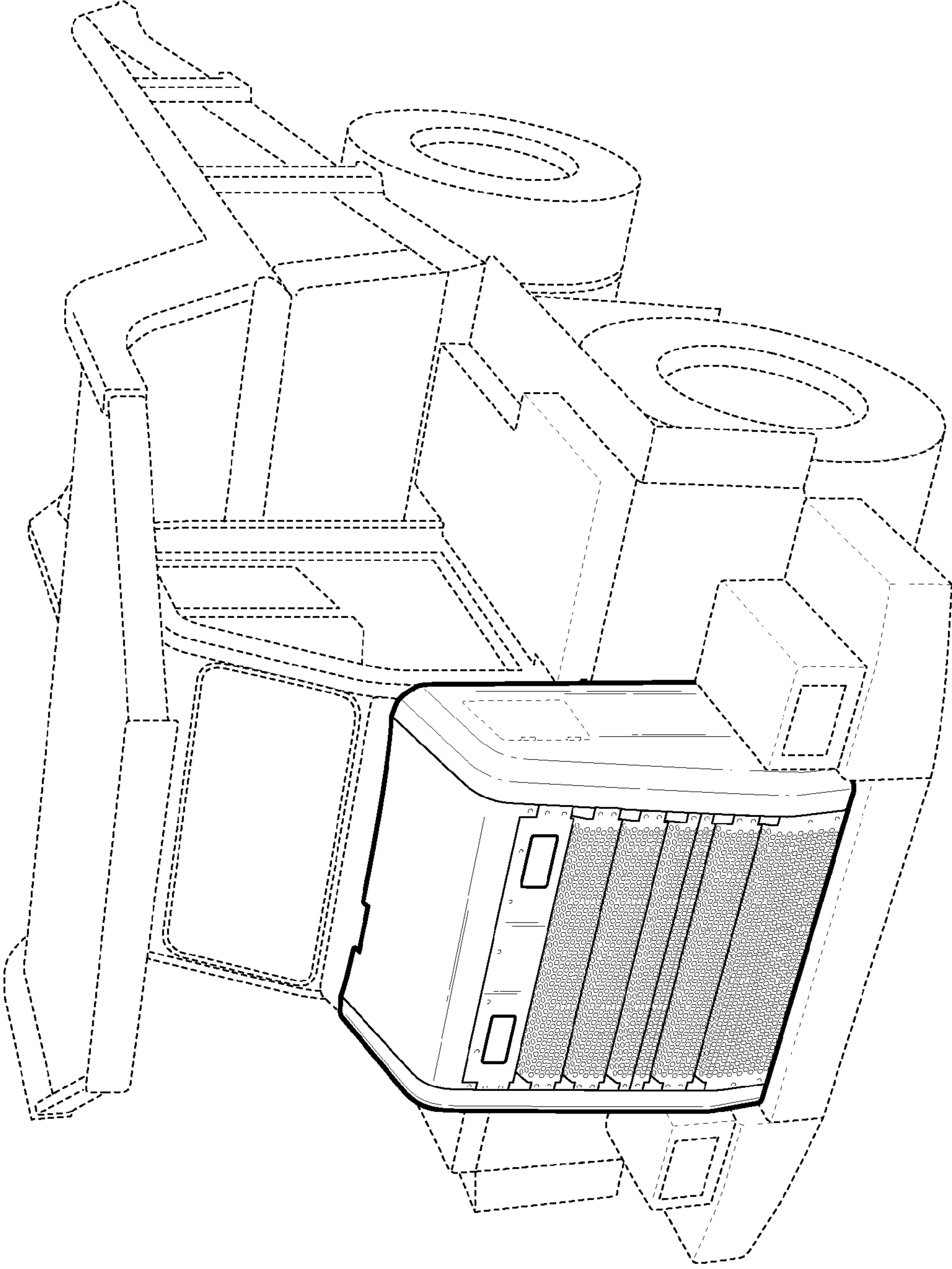
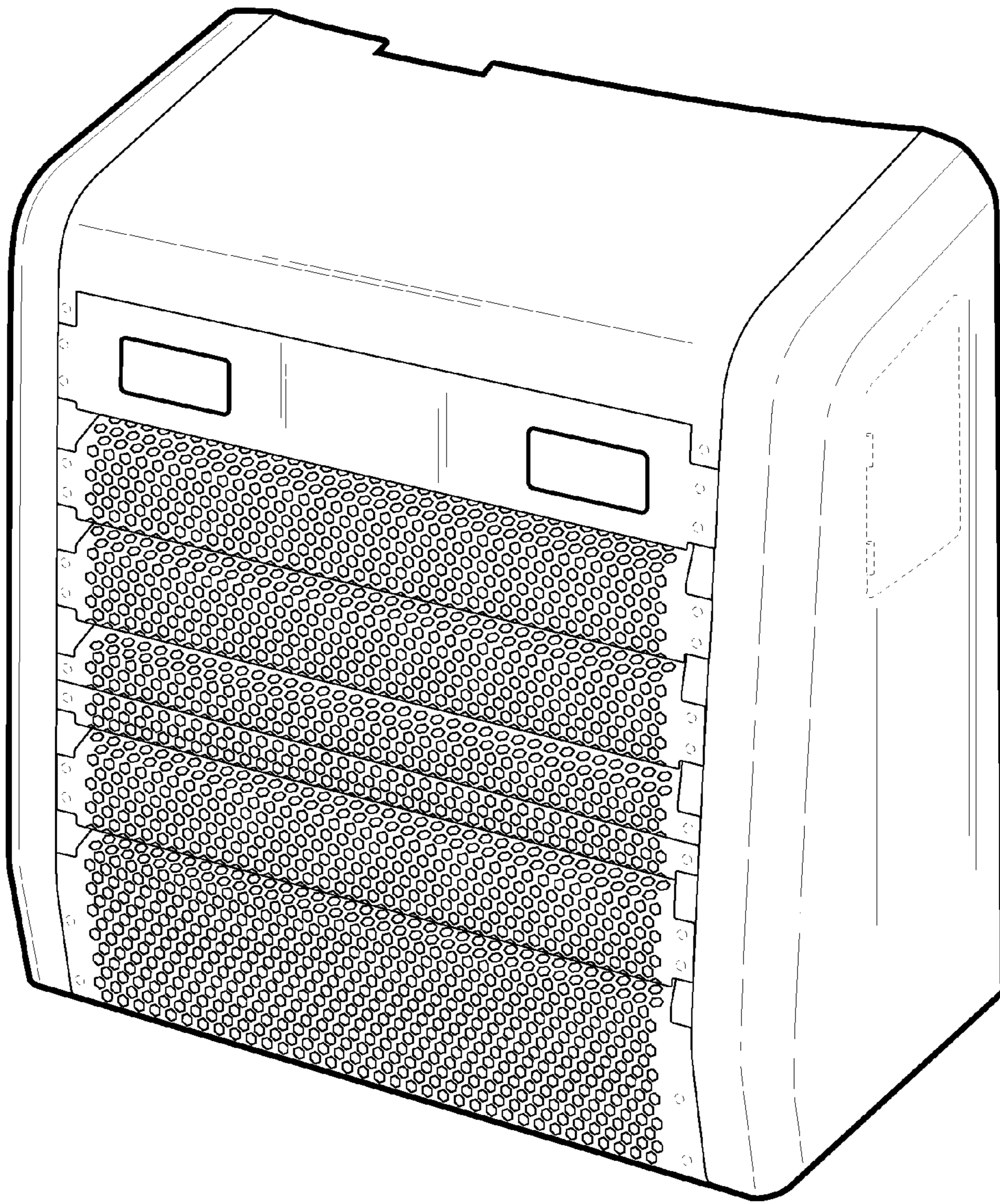


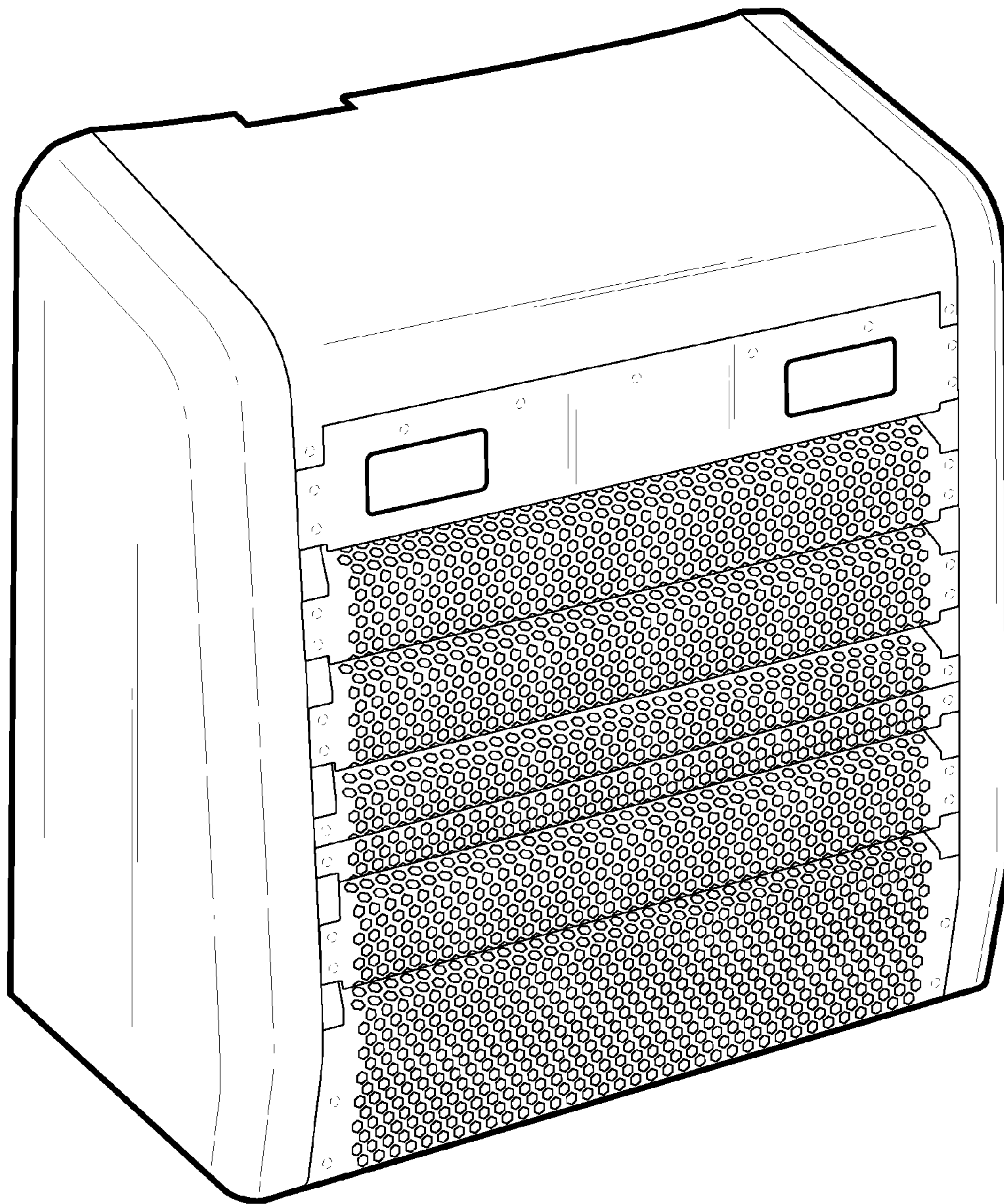
FIG. 1



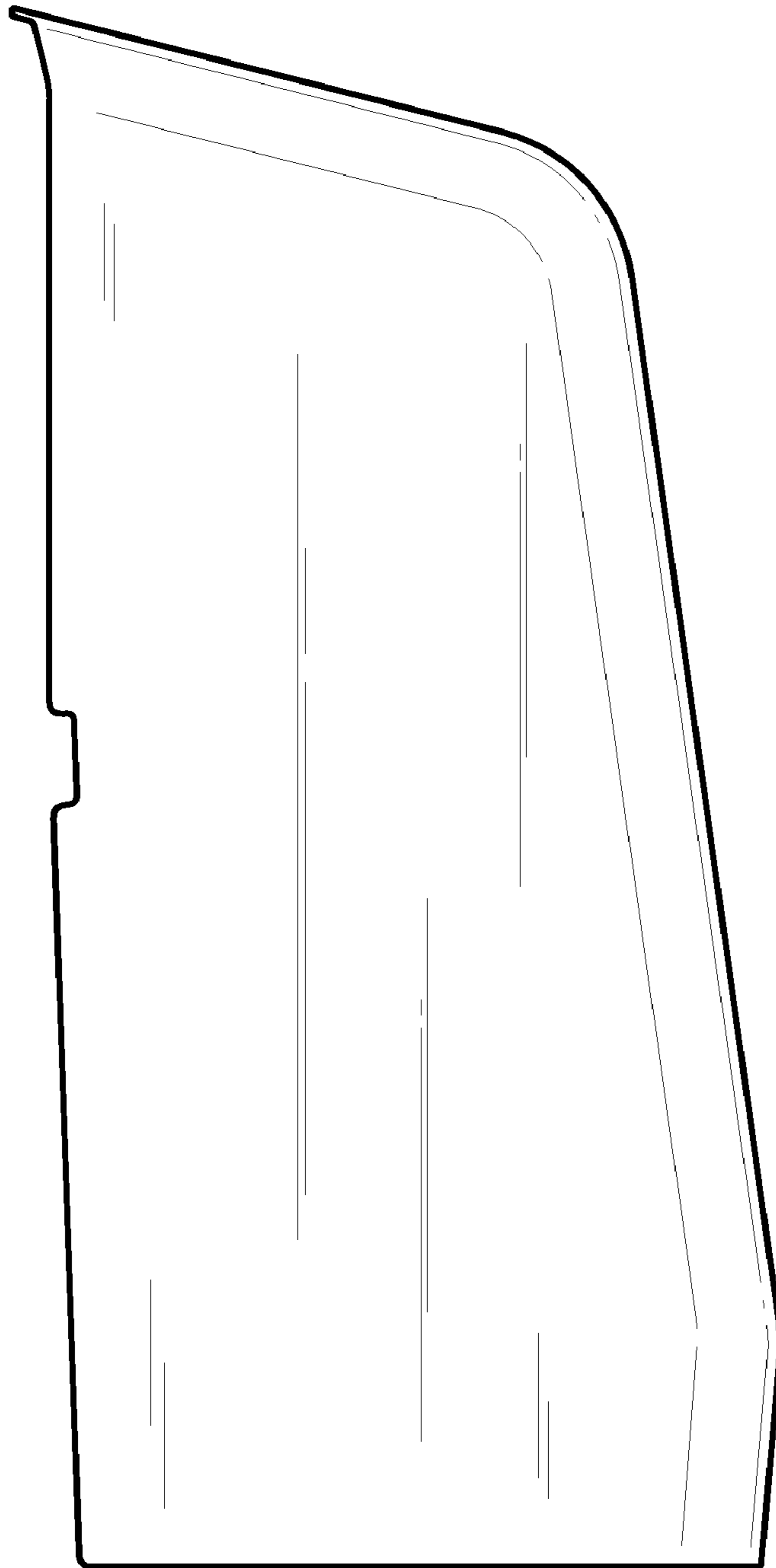
**FIG. 2**



**FIG. 3**



**FIG. 4**



**FIG. 5**

