



US00D643049S

(12) **United States Design Patent**  
**Nickels et al.**

(10) **Patent No.:** **US D643,049 S**

(45) **Date of Patent:** **\*\* Aug. 9, 2011**

(54) **ROCK CLAW FOR DEMOLITION HAMMER**

(75) Inventors: **James G. Nickels**, McGregor, TX (US);  
**Tommie L Craven**, Belton, TX (US);  
**Lauritz P. Pillers**, McGregor, TX (US)

(73) Assignee: **Caterpillar Inc.**, Peoria, IL (US)

(\*\*) Term: **14 Years**

(21) Appl. No.: **29/380,944**

(22) Filed: **Dec. 14, 2010**

(51) **LOC (9) Cl.** ..... **15-03**

(52) **U.S. Cl.** ..... **D15/28**

(58) **Field of Classification Search** ..... D15/10,  
D15/21, 28; 299/69, 70, 20, 22, 23; 173/46,  
173/171, 162.1, 119, 134, 135, 21, 78; 37/403  
See application file for complete search history.

(56) **References Cited**

U.S. PATENT DOCUMENTS

1,804,360	A	5/1931	Magee	
2,122,686	A	7/1938	Gaty	
4,034,816	A	7/1977	Lutich et al.	
4,182,421	A	1/1980	Zubarev et al.	
4,231,434	A *	11/1980	Justus	173/204
D260,772	S *	9/1981	Johnson et al.	D15/29
4,602,821	A *	7/1986	Schaeff	299/67
4,759,412	A	7/1988	Brazell, II	
D302,558	S *	8/1989	Davis et al.	D15/28
5,363,835	A	11/1994	Robson	
6,095,257	A *	8/2000	Lee	173/211
D457,534	S *	5/2002	Kim	D15/21
D458,614	S *	6/2002	Esterhuysen et al.	D15/29
7,124,838	B2	10/2006	Stewart et al.	

D542,811	S *	5/2007	Lauder et al.	D15/29
D547,775	S *	7/2007	Tuscuoğlu	D15/21
D554,157	S *	10/2007	Renski	D15/29
D576,644	S *	9/2008	Clendenning et al.	D15/29
7,775,296	B2 *	8/2010	Webber	173/210

FOREIGN PATENT DOCUMENTS

GB 2026370 2/1980

OTHER PUBLICATIONS

Case Construction Demolition Attachments, Brochure, Sep. 16, 2009, 18 pages.

\* cited by examiner

*Primary Examiner* — Mark Goodwin

(74) *Attorney, Agent, or Firm* — Mark R. Hull

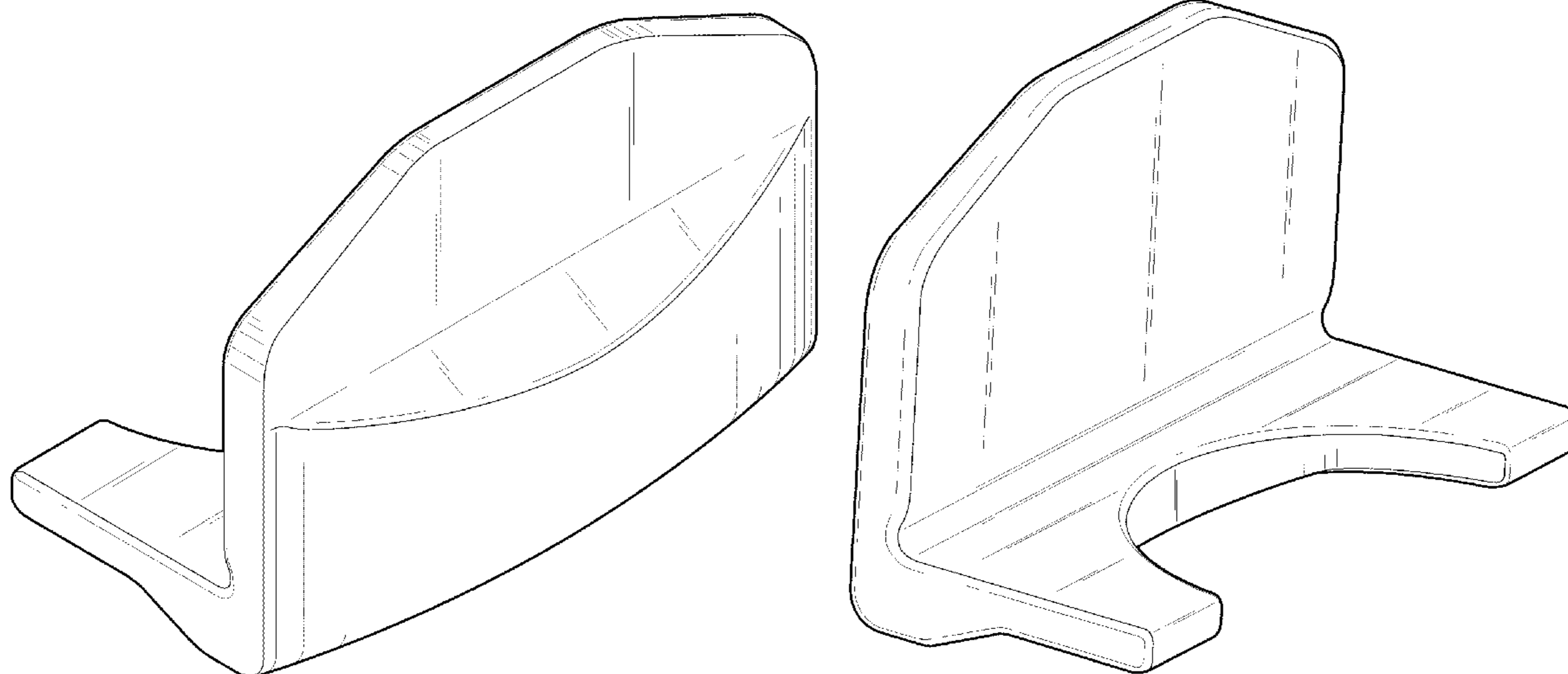
(57) **CLAIM**

The ornamental design for a rock claw for demolition hammer, as shown and described.

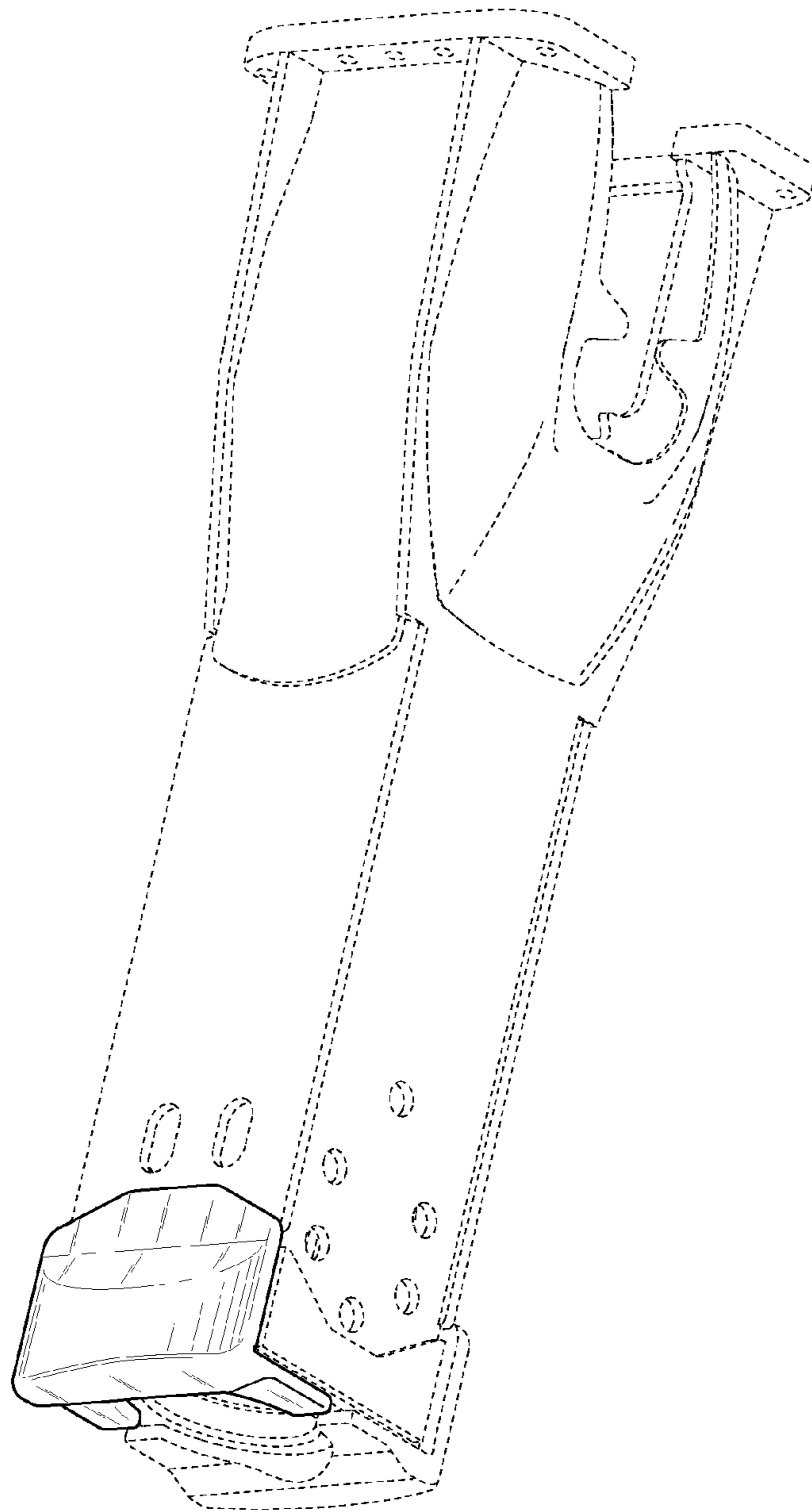
**DESCRIPTION**

FIG. 1 is a pictorial view of a rock claw for demolition hammer showing our new design. The broken line showing of an additional rock claw and housing is shown for environmental purposes only and forms no part of the claimed design. FIG. 2 is a front elevational view of a rock claw of FIG. 1. FIG. 3 is a bottom plan view of the rock claw of FIG. 2. FIG. 4 is a right side elevational view thereof, the left side view being a mirror image thereof. FIG. 5 is a back elevational view of the rock claw of FIG. 2. FIG. 6 is a top plan view of the rock claw of FIG. 2. FIG. 7 is a pictorial view of the rock claw of FIG. 2; and, FIG. 8 is another pictorial view of the rock claw of FIG. 2.

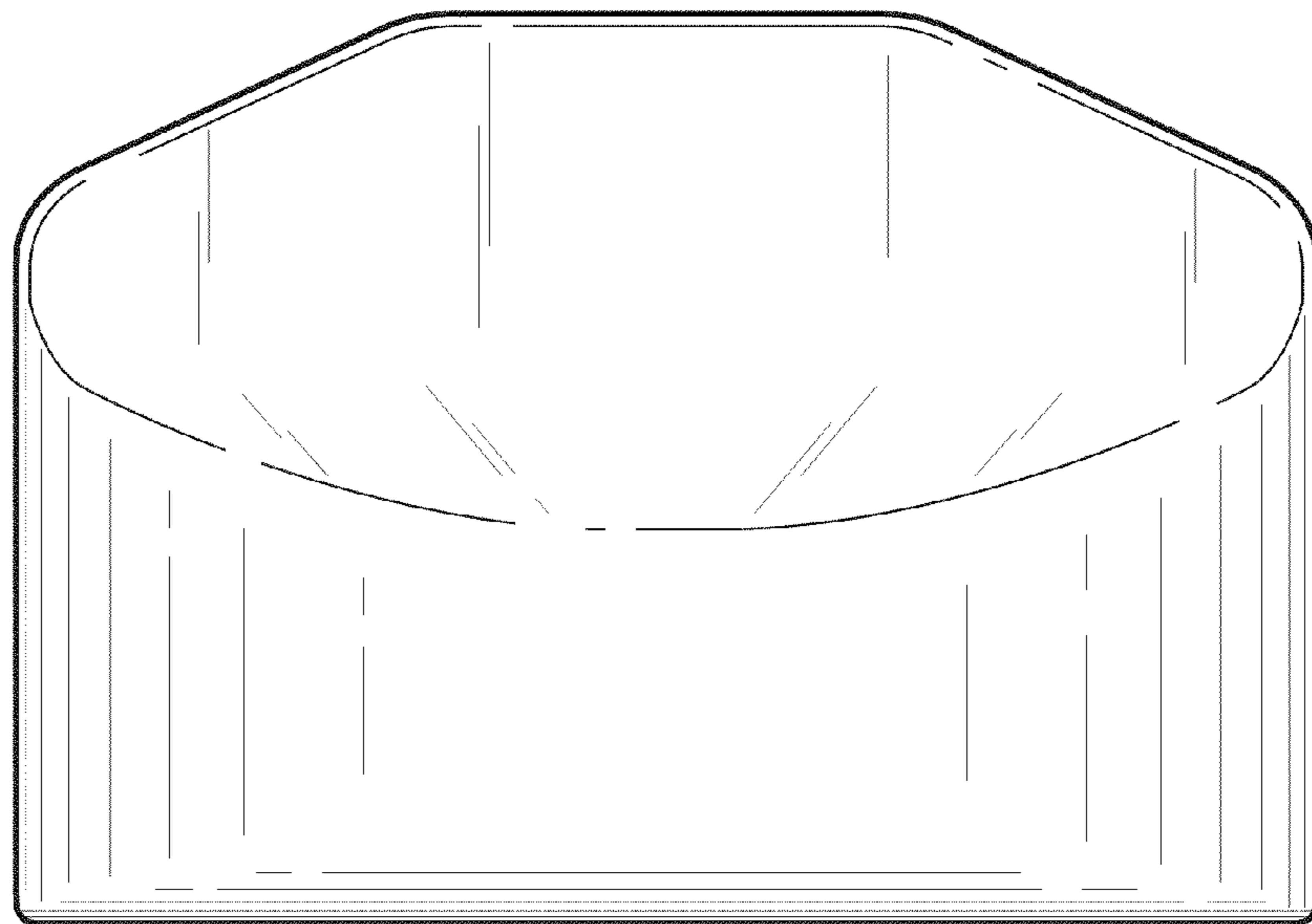
**1 Claim, 8 Drawing Sheets**



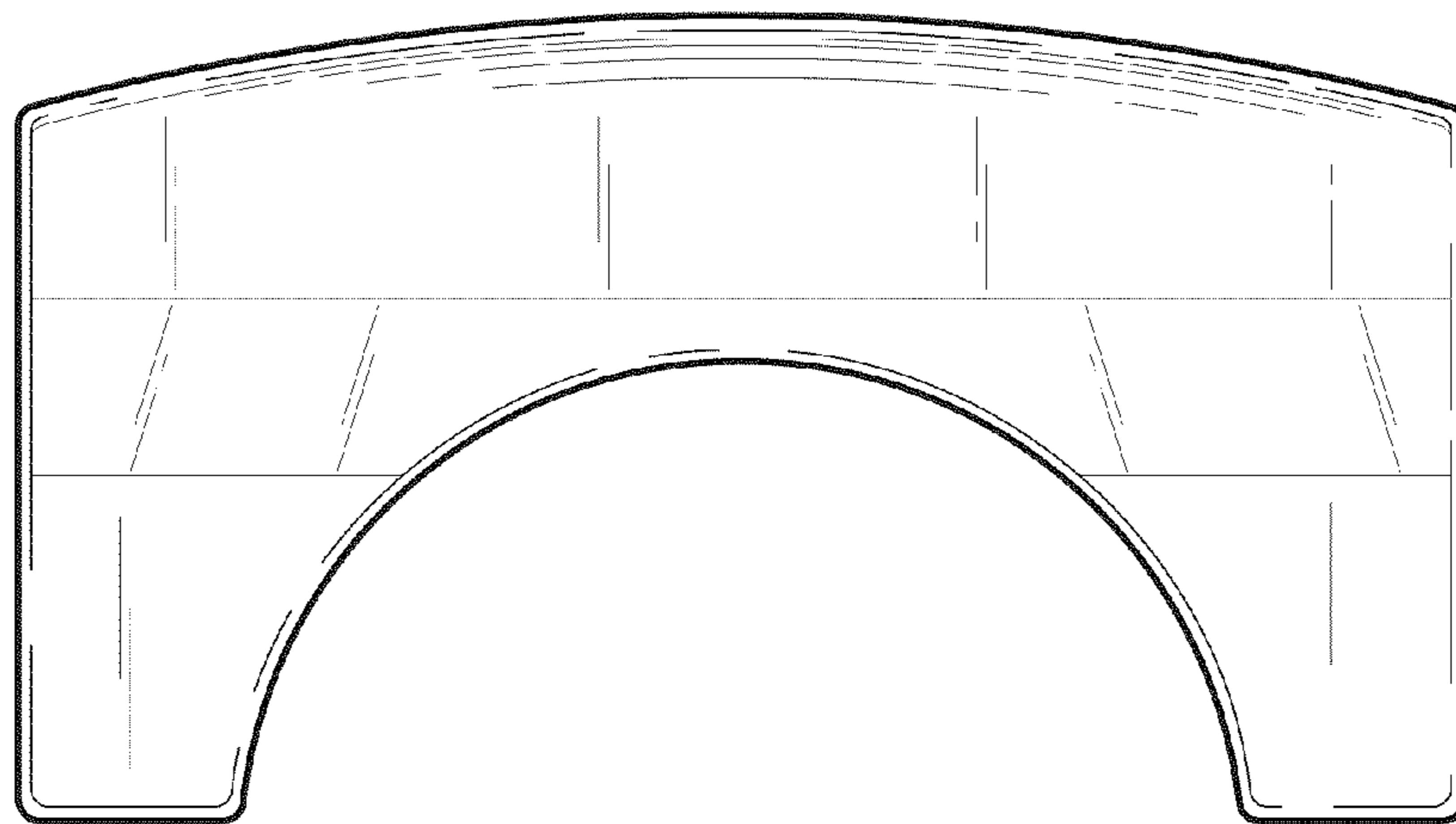
**FIG. 1**



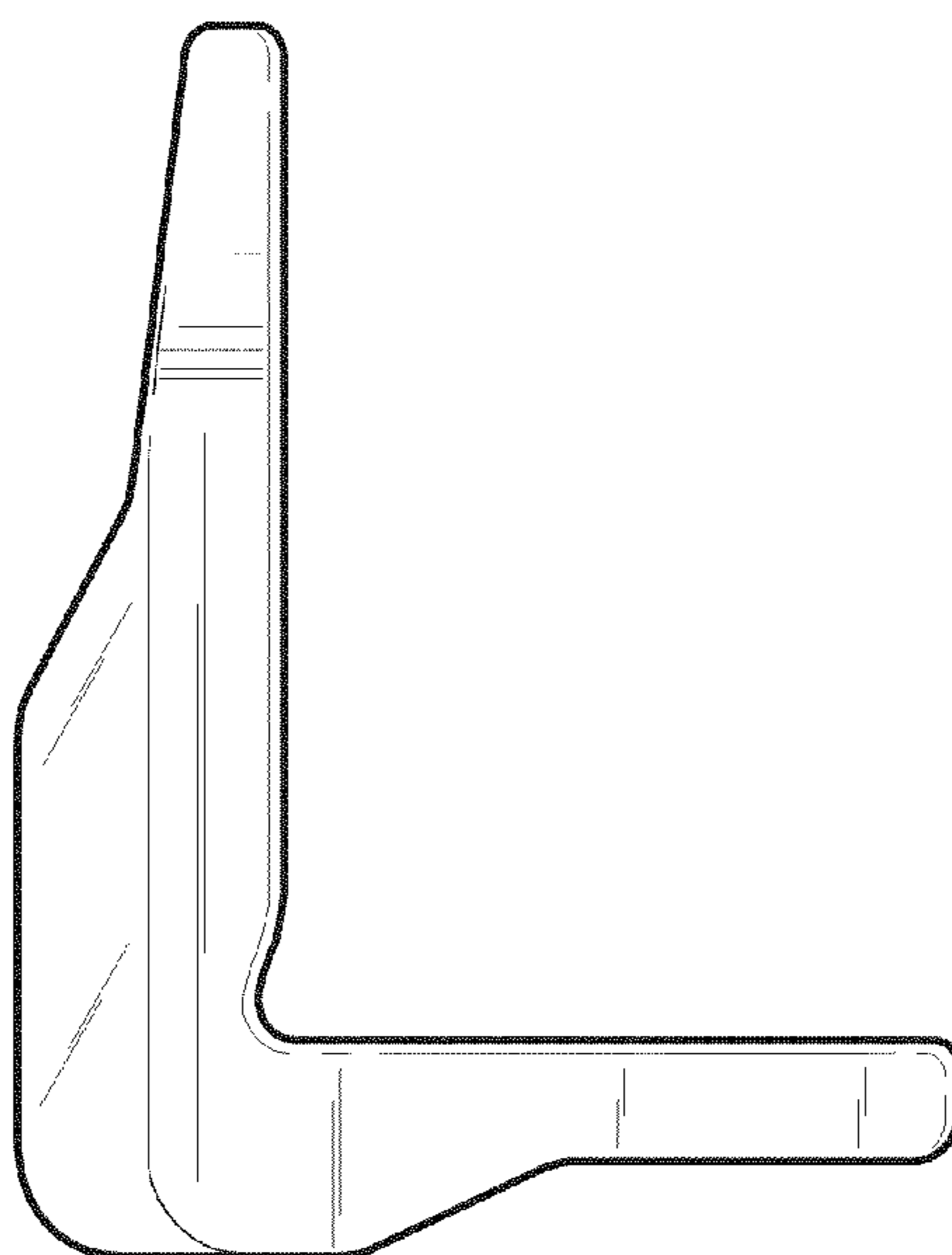
**FIG. 2**



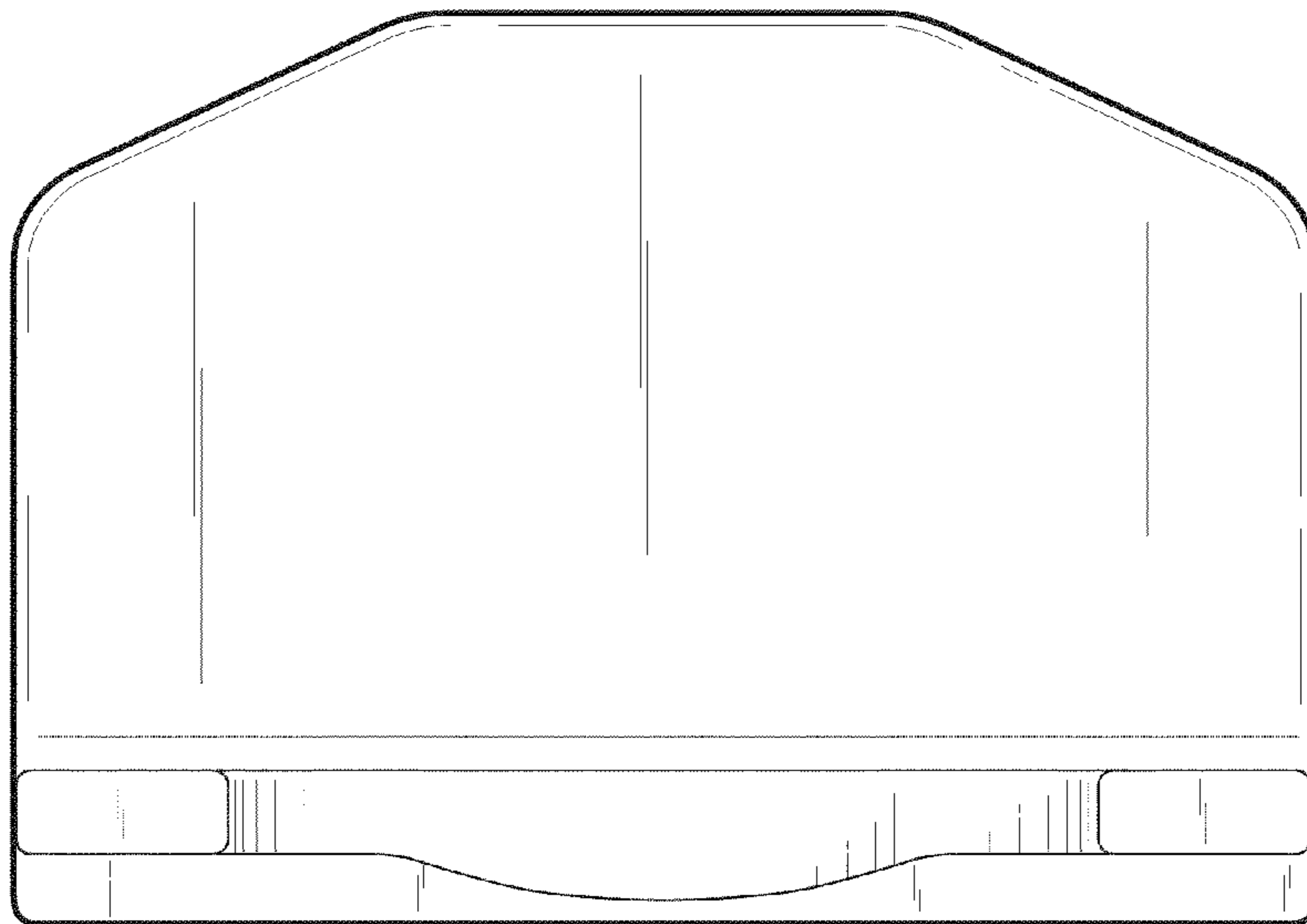
**FIG. 3**



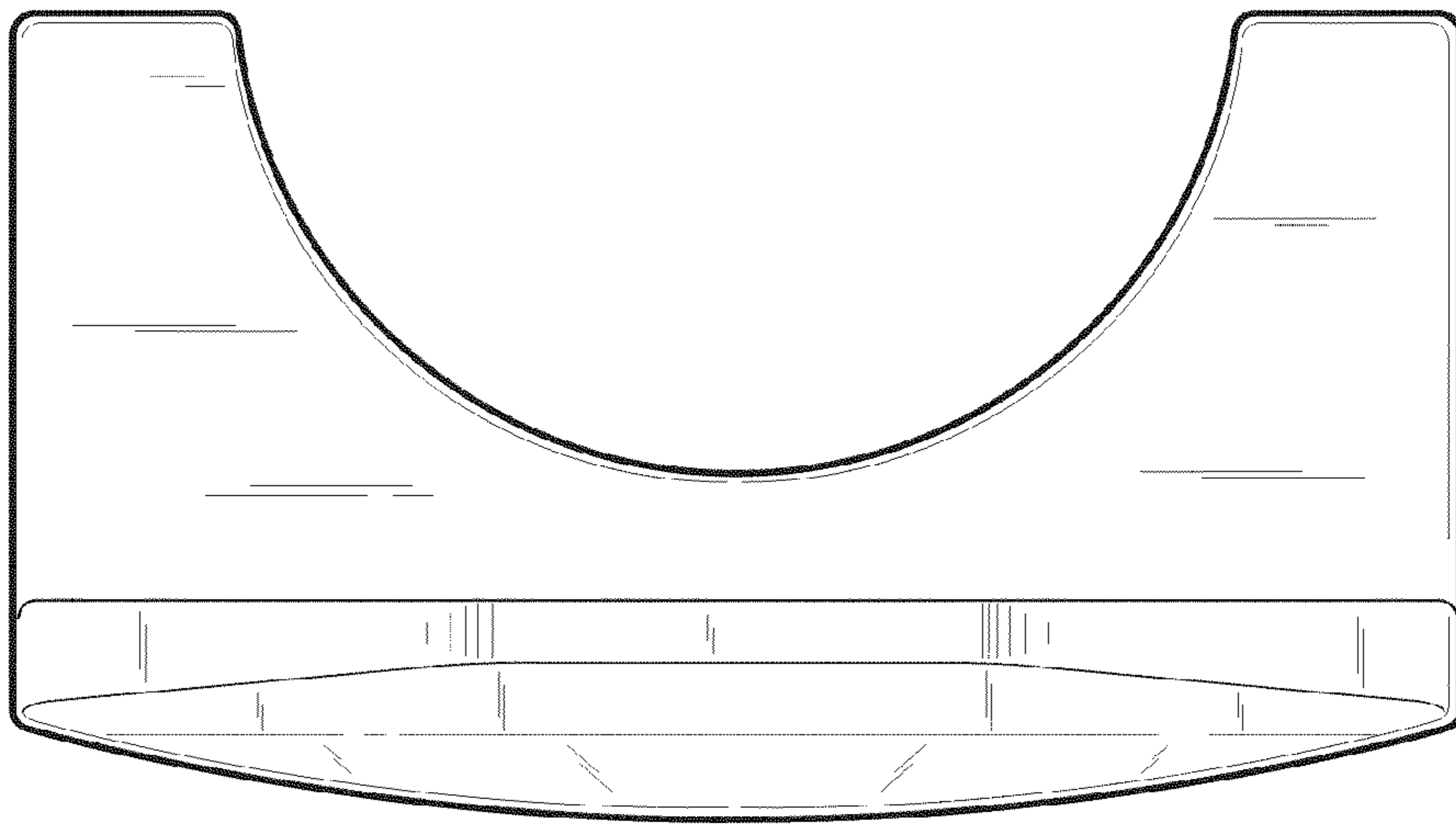
**FIG. 4**



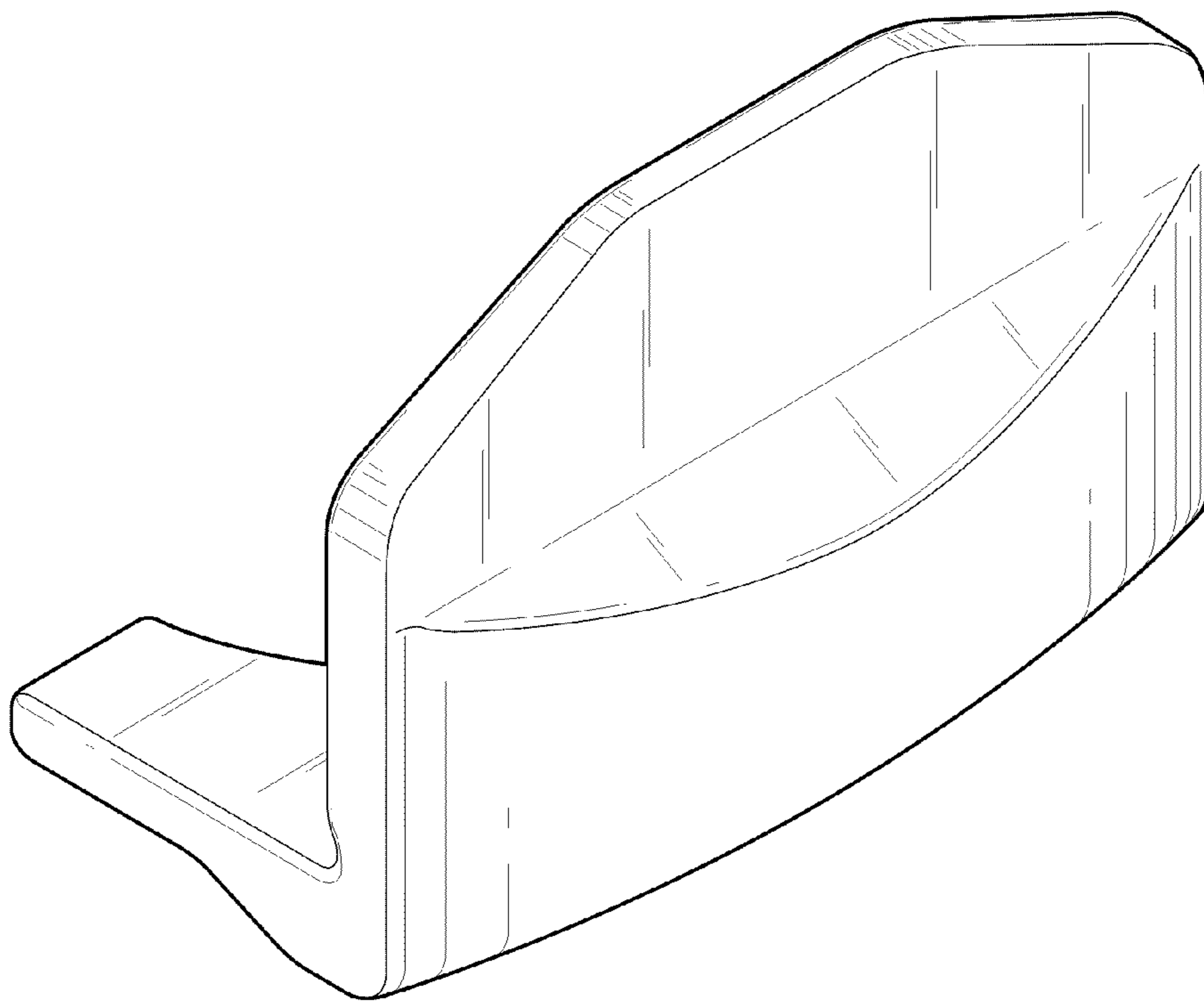
**FIG. 5**



**FIG. 6**



**FIG. 7**





**FIG. 8**

