



US00D643042S

(12) **United States Design Patent**
Saelid

(10) **Patent No.:** **US D643,042 S**

(45) **Date of Patent:** **** Aug. 9, 2011**

(54) **ARTICULATED LAPTOP SUPPORT
ATTACHMENT FOR A TABLE LEG**

(75) Inventor: **Marianne Saelid**, Ikornnes (NO)

(73) Assignee: **Ekornes ASA**, Ikornnes (NO)

(**) Term: **14 Years**

(21) Appl. No.: **29/359,952**

(22) Filed: **Apr. 16, 2010**

(30) **Foreign Application Priority Data**

Oct. 19, 2009 (NO) 20090534

(51) **LOC (9) Cl.** **08-07**

(52) **U.S. Cl.** **D14/452**

(58) **Field of Classification Search** D14/447,
D14/451, 452, 239, 432, 434, 439, 448, 457,
D14/251, 253, 224, 224.1, 126, 127, 371,
D14/373, 374, 375; D8/363, 373, 380; 248/917,
248/918, 919, 920, 921, 922, 923, 924, 441.1,
248/460, 122.1, 125.7, 371, 176.1, 176.3,
248/222.52, 276.1, 324; 361/679.06, 679.04,
361/679.21, 679.22, 679.56

See application file for complete search history.

(56) **References Cited**

U.S. PATENT DOCUMENTS

D311,829 S * 11/1990 Vossoughi D6/418
D342,173 S * 12/1993 Kirchner et al. D6/511
D357,406 S * 4/1995 Whitaker D8/380
D363,065 S * 10/1995 Karten et al. D14/452

D363,492 S * 10/1995 Brussing D14/251
D376,590 S * 12/1996 Kao et al. D14/452
D387,653 S * 12/1997 Vogels D8/363
D406,228 S * 3/1999 Vogels D8/363
D429,251 S * 8/2000 Sundry et al. D14/457
D522,009 S * 5/2006 Chen D14/452
D555,657 S * 11/2007 Loyd D14/452
D598,917 S * 8/2009 Luber D14/375
2004/0007651 A1 * 1/2004 Williams et al. 248/346.06

* cited by examiner

Primary Examiner — Angela Lee

(74) *Attorney, Agent, or Firm* — Schneck & Schneck;
Thomas Schneck

(57) **CLAIM**

I claim the ornamental design for an articulated laptop support attachment for a table leg, as shown.

DESCRIPTION

FIG. 1 is a front perspective view of an articulated laptop support attachment for a table leg of my design;

FIG. 2 is a top view thereof;

FIG. 3 is a bottom view thereof;

FIG. 4 is a left rear quarter view thereof;

FIG. 5 is a right rear quarter view thereof;

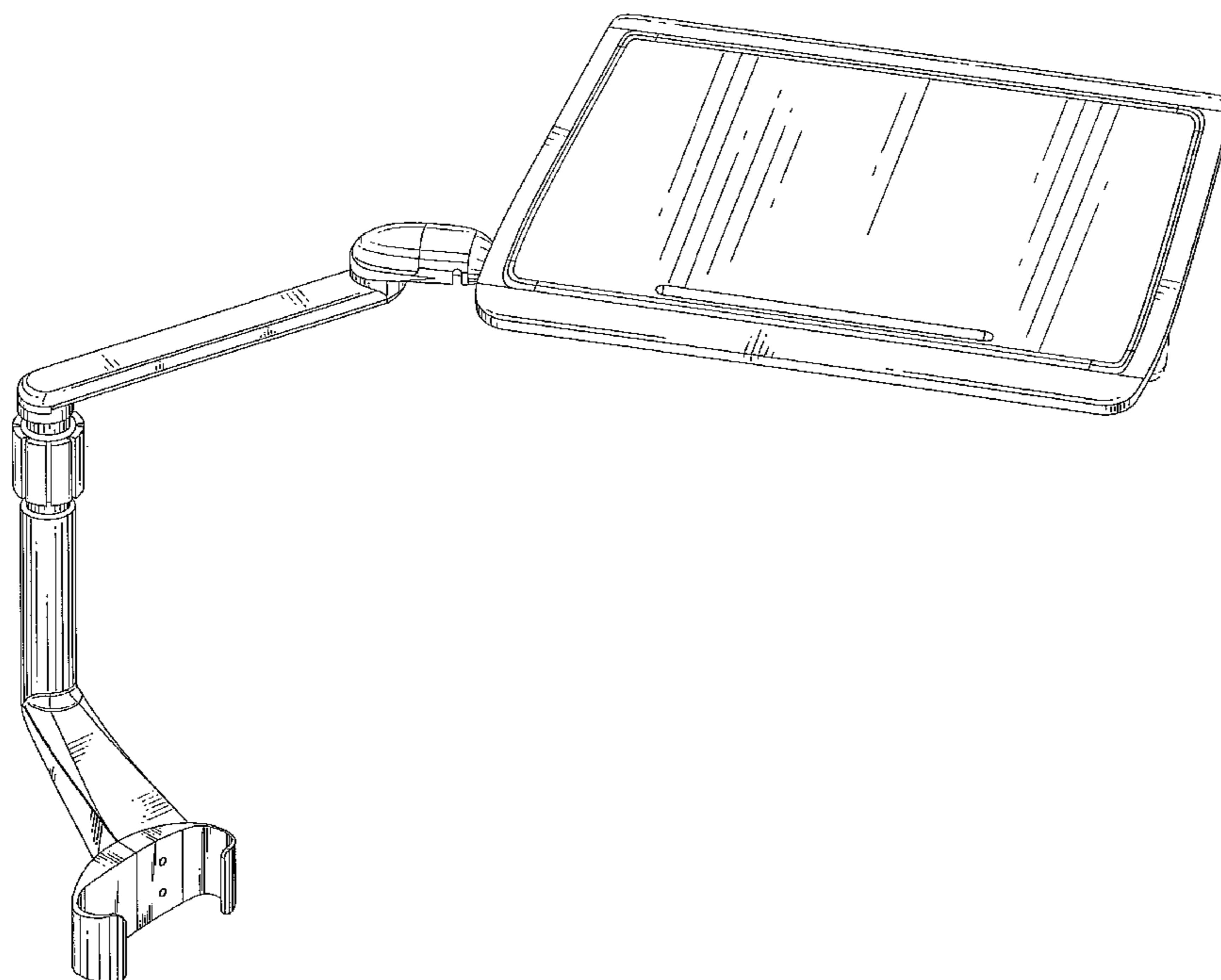
FIG. 6 is a full left side view thereof; and,

FIG. 7 is a full right side view thereof.

In FIG. 3, the unshaded area within the solid oval on the support arm is disclaimed.

The broken lines shown in the drawings are for illustrative purposes only and form no part of the claimed design.

1 Claim, 5 Drawing Sheets



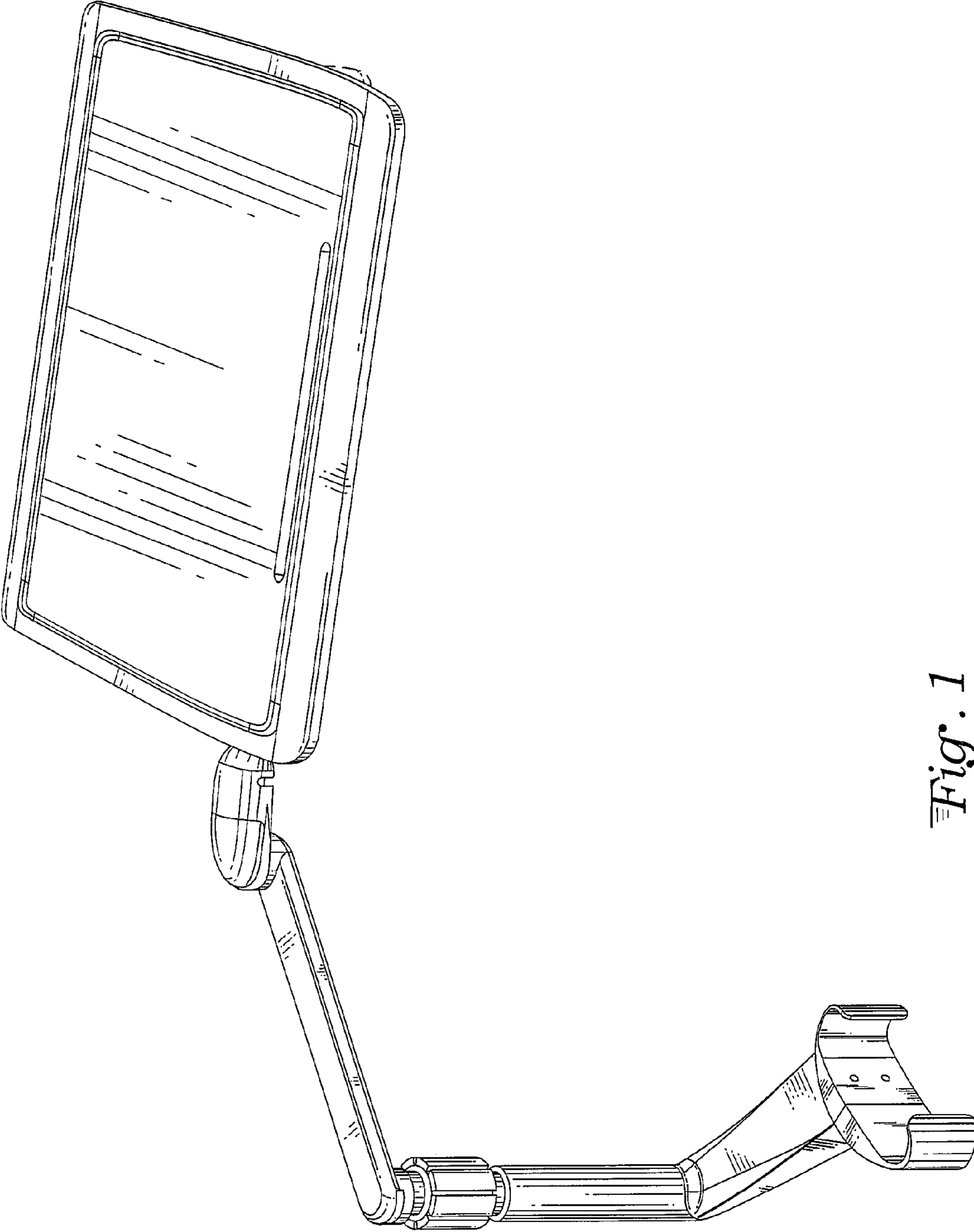


Fig. 1

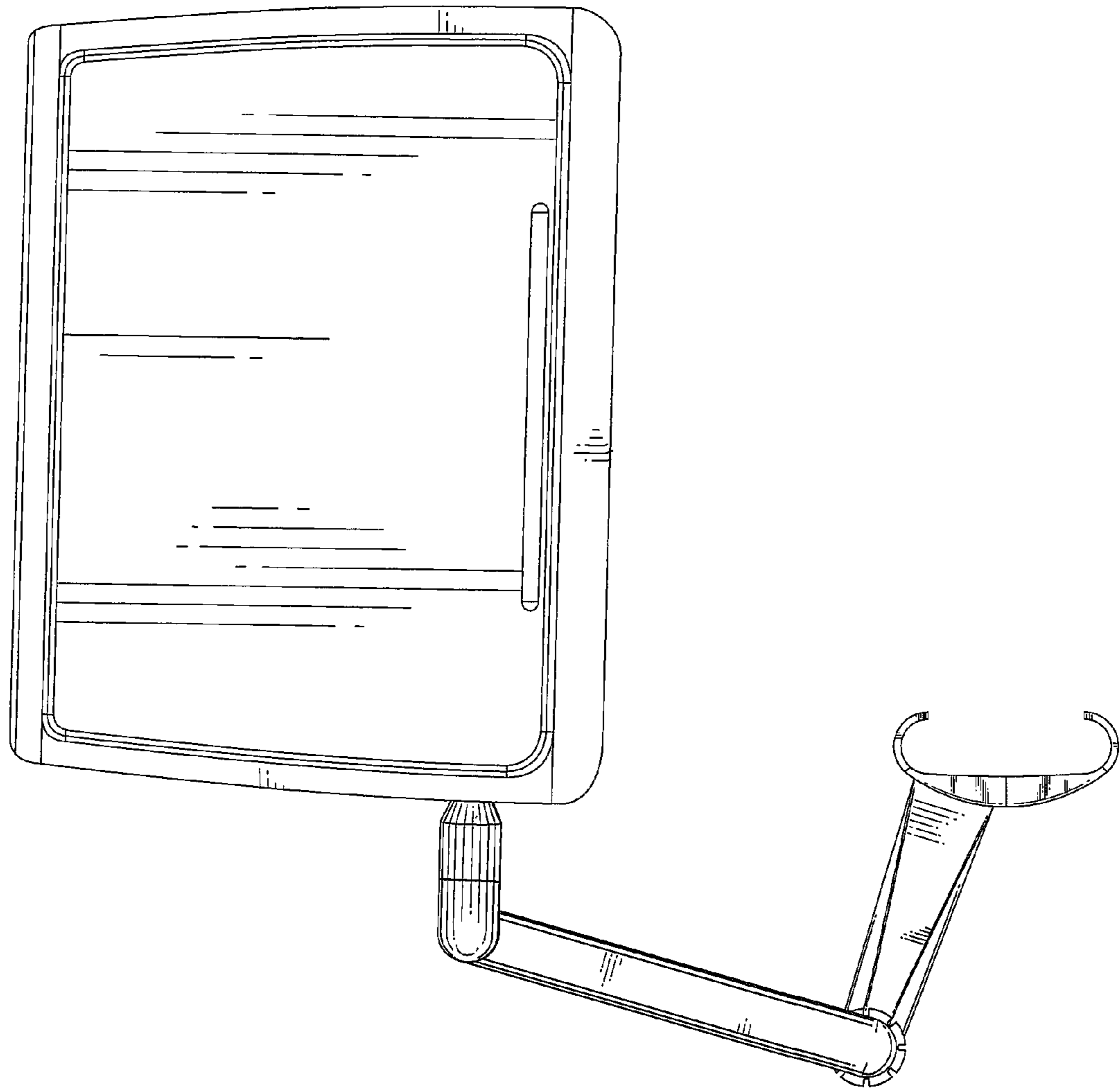


Fig. 2

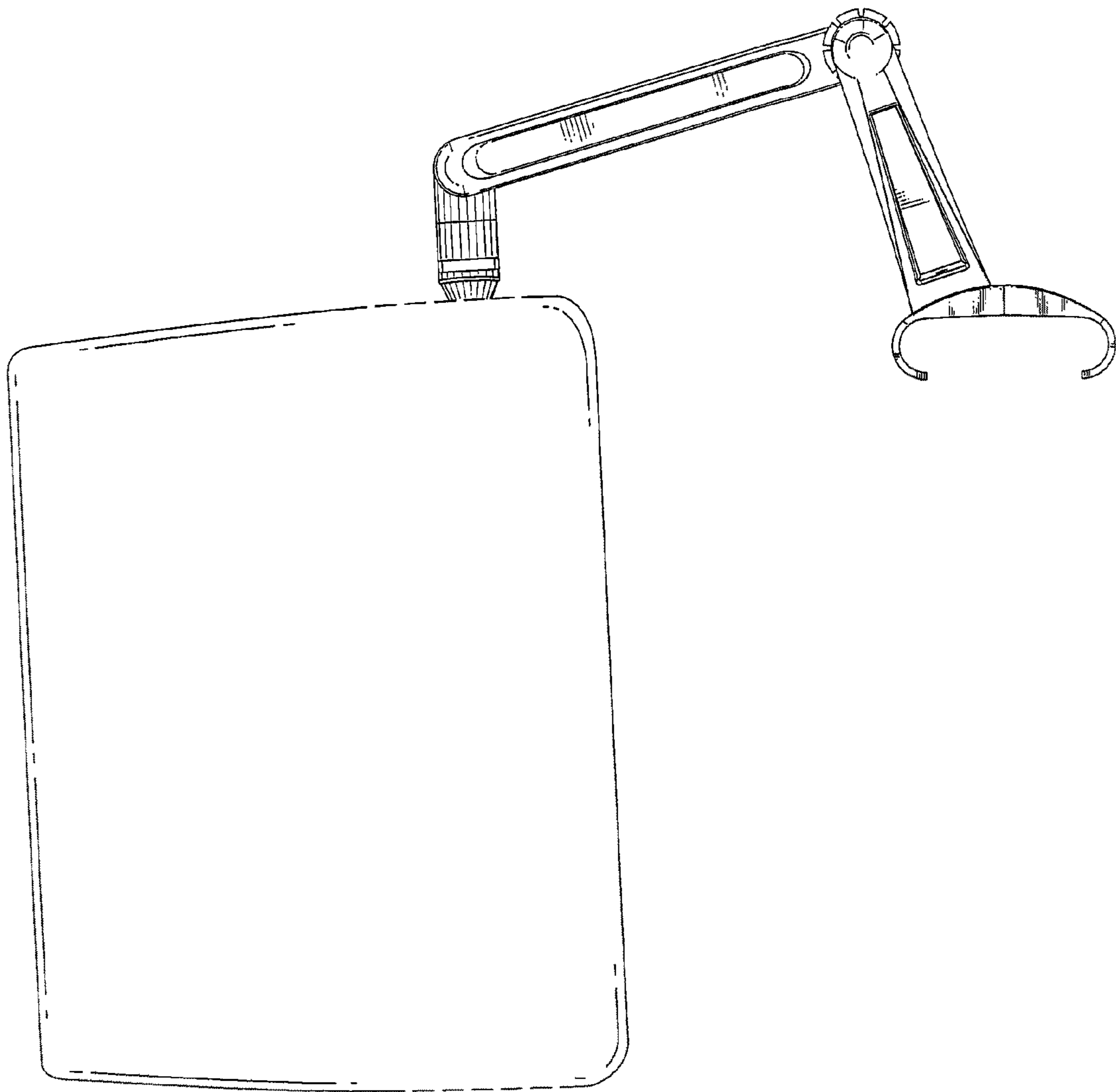


Fig. 3

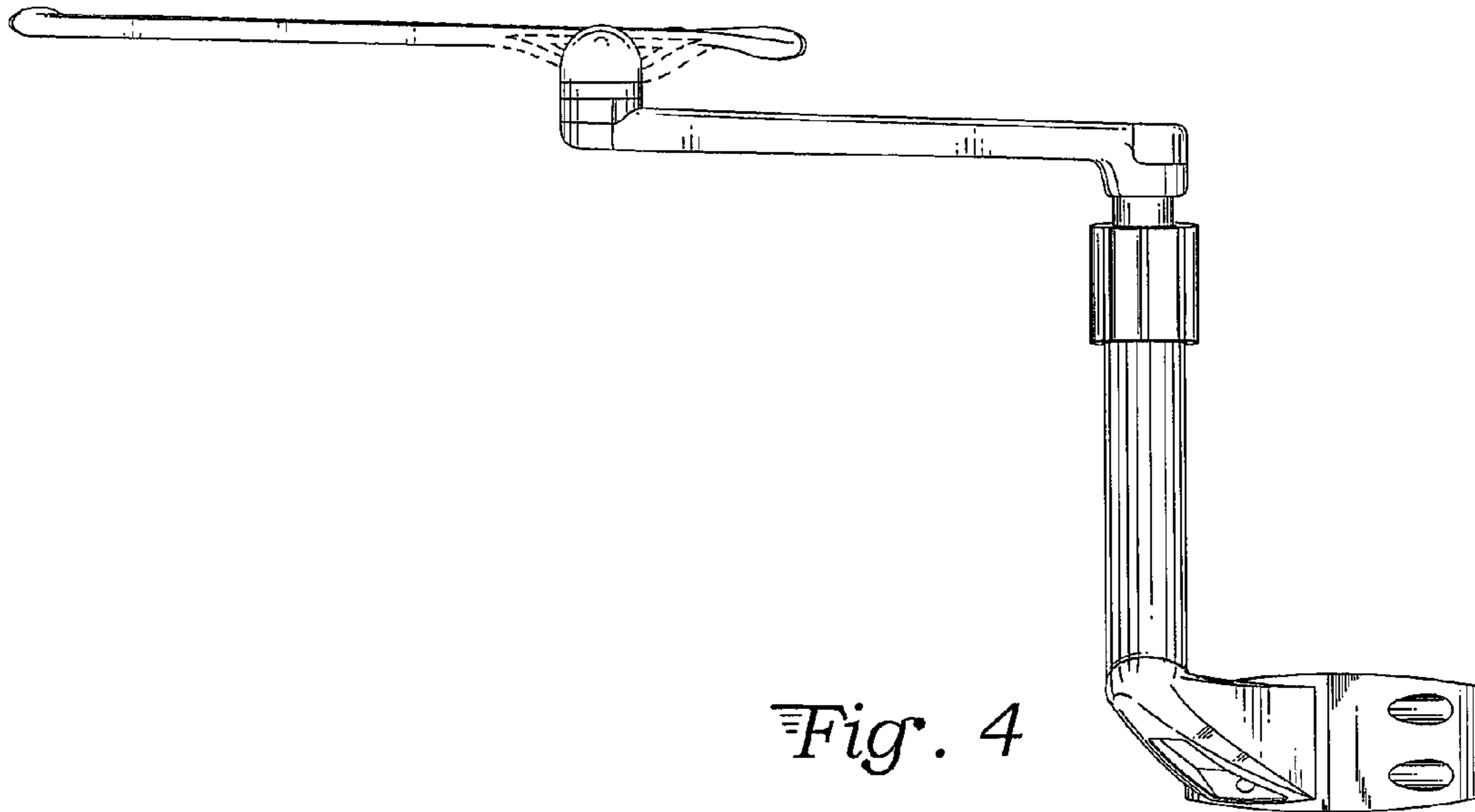


Fig. 4

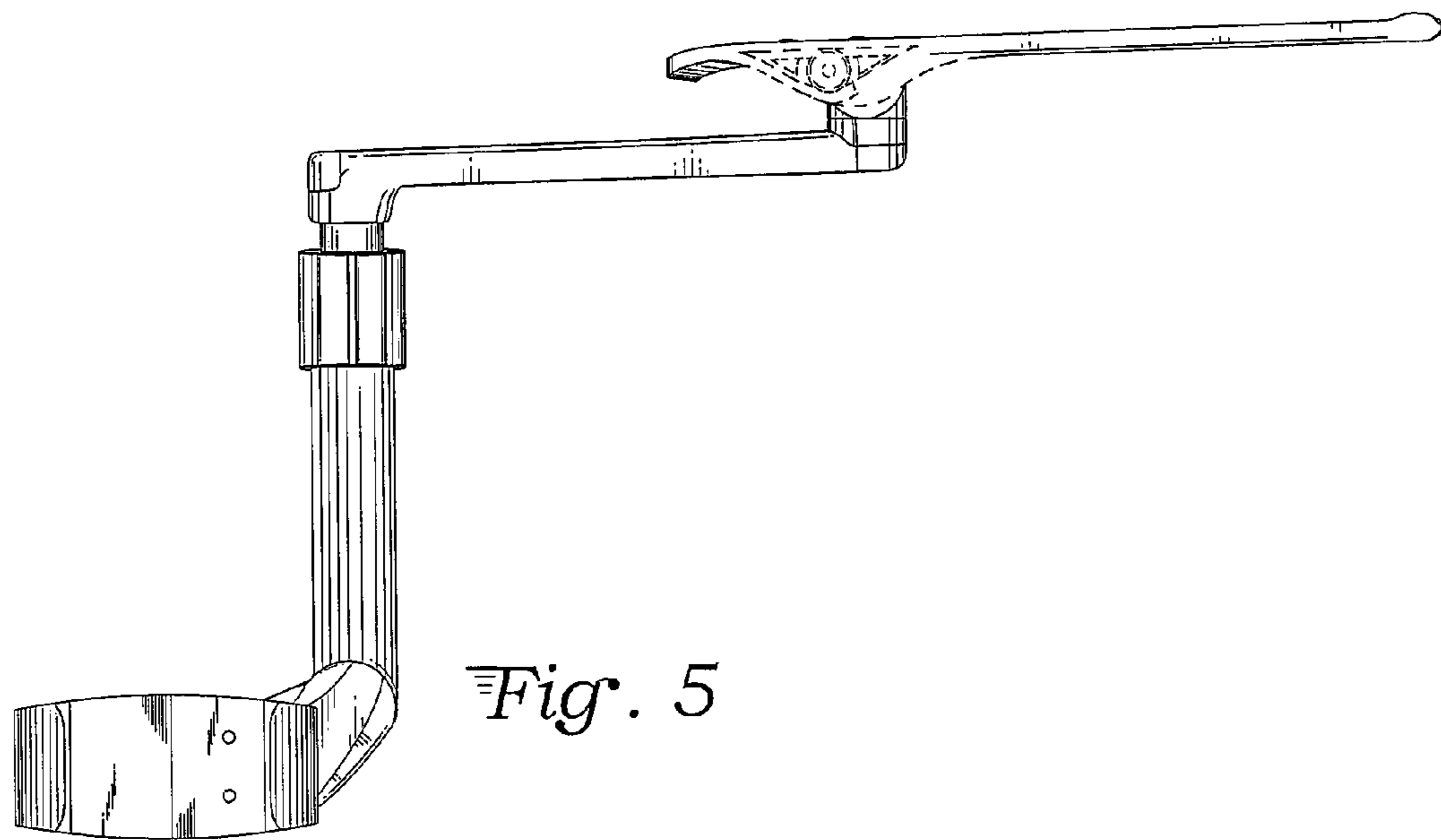


Fig. 5

