



US00D643041S

(12) **United States Design Patent**
Lee et al.

(10) **Patent No.:** **US D643,041 S**

(45) **Date of Patent:** **** Aug. 9, 2011**

(54) **FRONT BEZEL FOR COMPUTER ENCLOSURE**

(56) **References Cited**

(75) Inventors: **Guang-Yao Lee**, Taipei Hsien (TW);
Chao-Chi Chang, Taipei Hsien (TW);
Yun-Dong Xu, Shenzhen (CN);
Yuan-Yuan Liu, Shenzhen (CN);
Long-Juan Wang, Shenzhen (CN)

U.S. PATENT DOCUMENTS

5,547,272	A	*	8/1996	Paterson et al.	312/223.2
D439,254	S	*	3/2001	Zhao	D14/441
D501,481	S	*	2/2005	Zhang et al.	D14/441
D507,274	S	*	7/2005	Xu et al.	D14/445
D517,075	S	*	3/2006	Zhu et al.	D14/441
D520,506	S	*	5/2006	Wang et al.	D14/441
D554,133	S	*	10/2007	Zhou et al.	D14/444

* cited by examiner

(73) Assignee: **Hon Hai Precision Industry Co., Ltd.**,
Tu-Cheng, New Taipei (TW)

Primary Examiner — Freda Nunn

(74) *Attorney, Agent, or Firm* — Zhigang Ma

(**) Term: **14 Years**

(57) **CLAIM**

The ornamental design for a front bezel for computer enclosure, as shown and described.

(21) Appl. No.: **29/377,524**

DESCRIPTION

(22) Filed: **Oct. 21, 2010**

(30) **Foreign Application Priority Data**

Jun. 14, 2010 (CN) 2010 3 0214514

(51) **LOC (9) Cl.** **14-02**

(52) **U.S. Cl.** **D14/444**

(58) **Field of Classification Search** D14/441-446,
D14/356, 313, 360-368; D13/162, 184,
D13/199; 312/223.2; 361/679.31-679.33;
369/34.01, 36.01; 360/92.1

FIG. 1 is a perspective view of a front bezel for computer enclosure showing our design;

FIG. 2 is a front elevational view thereof;

FIG. 3 is a left-side, elevational view thereof;

FIG. 4 is a right-side, elevational view thereof;

FIG. 5 is a top plan view thereof;

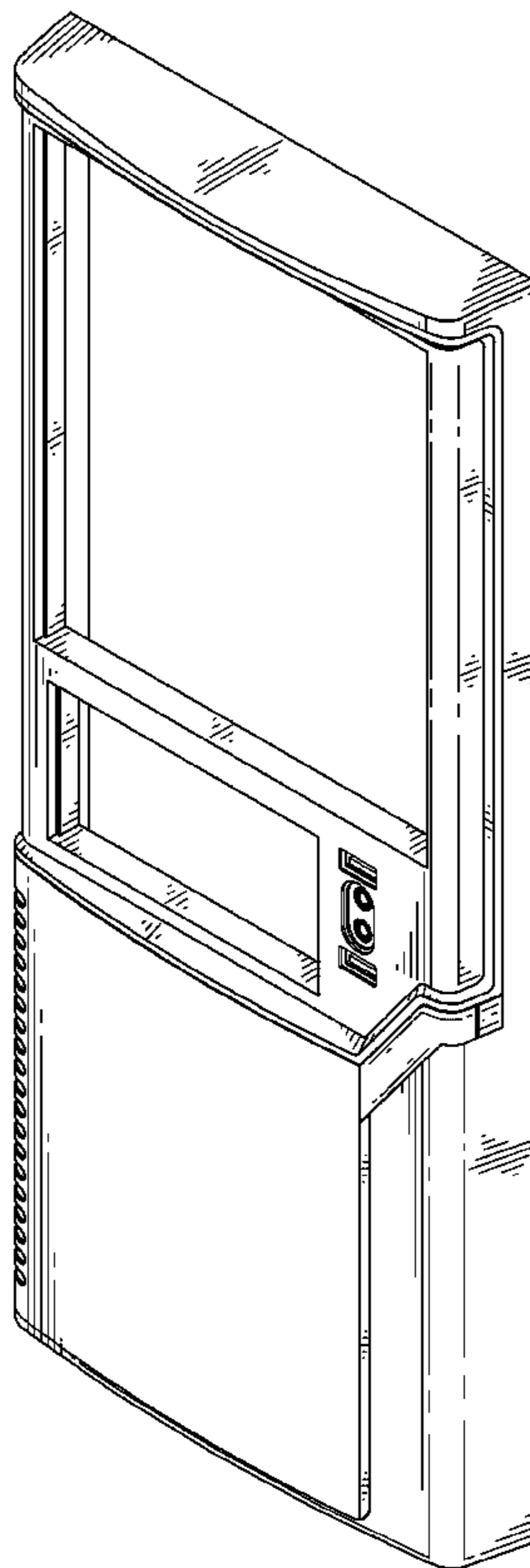
FIG. 6 is a bottom plan view thereof; and,

FIG. 7 is a perspective view of the front bezel being mounted to a computer enclosure.

The broken lines are included for the purposes of illustrating environmental structure and form no part of the claimed design.

See application file for complete search history.

1 Claim, 7 Drawing Sheets



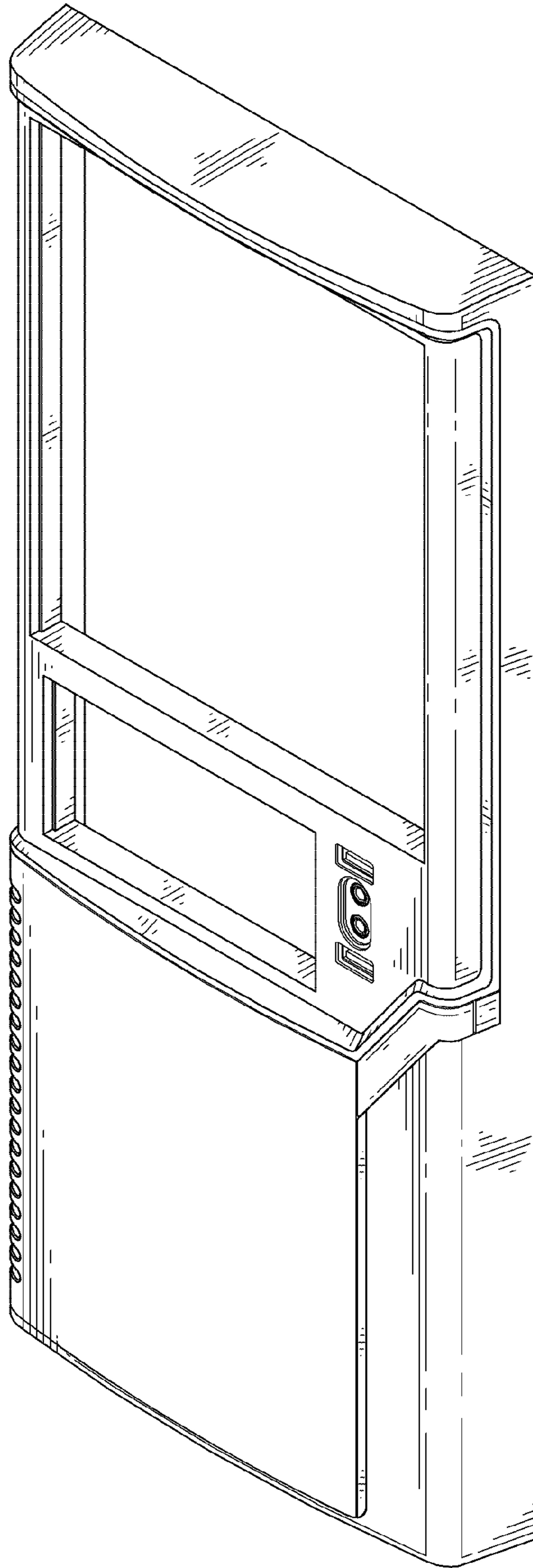


FIG. 1

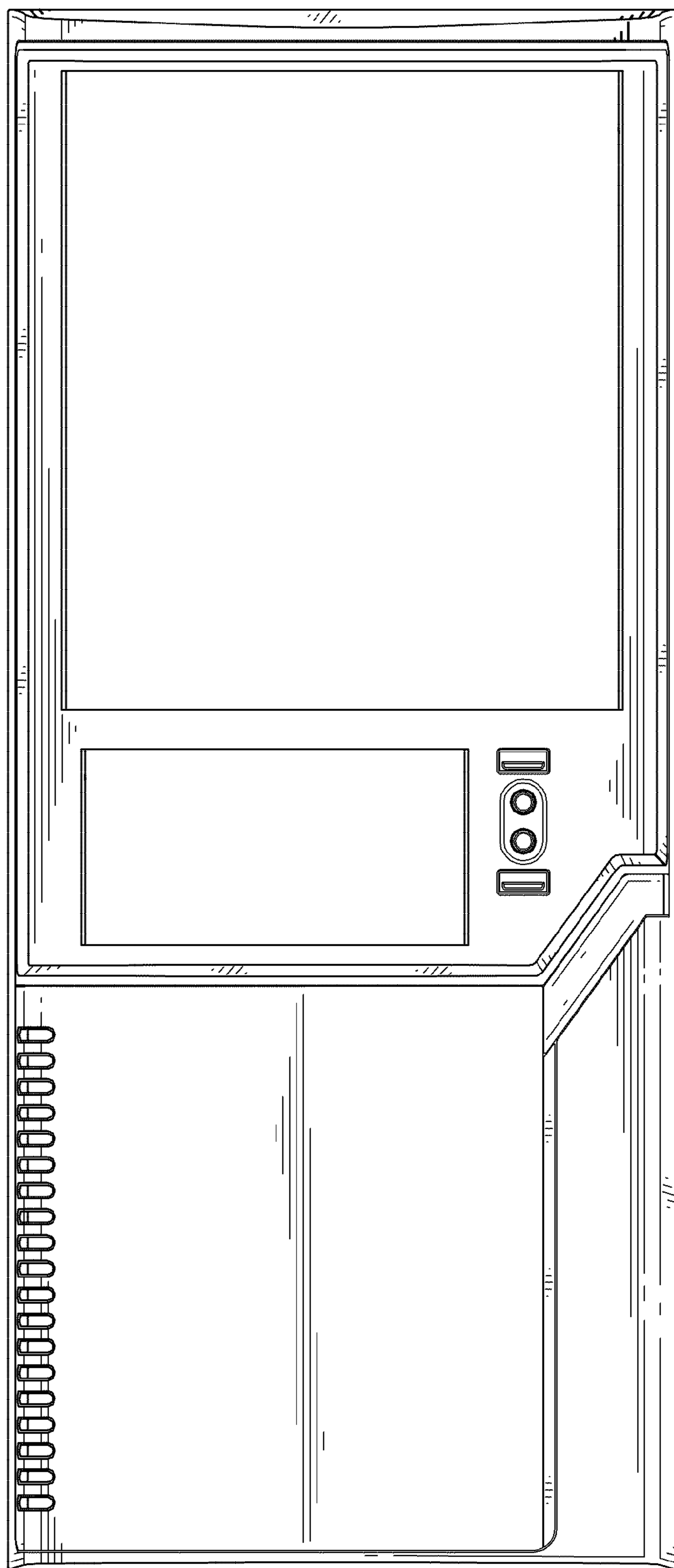


FIG. 2

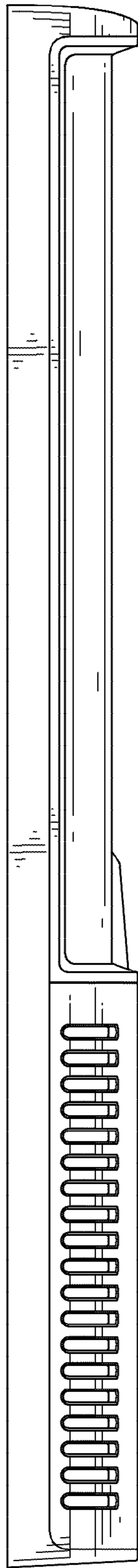


FIG. 3

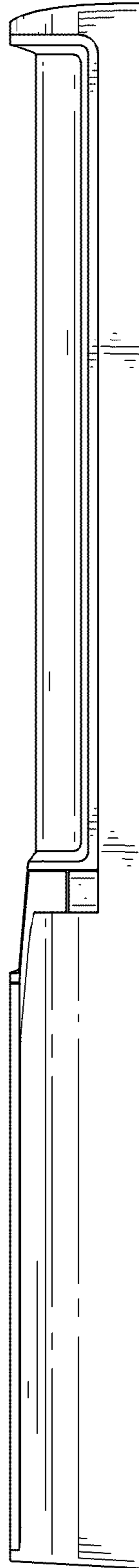


FIG. 4

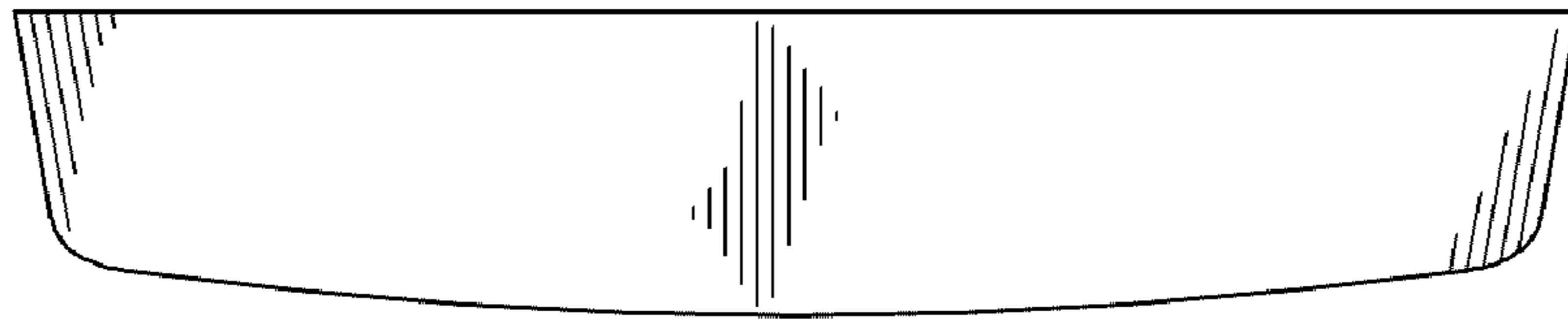


FIG. 5

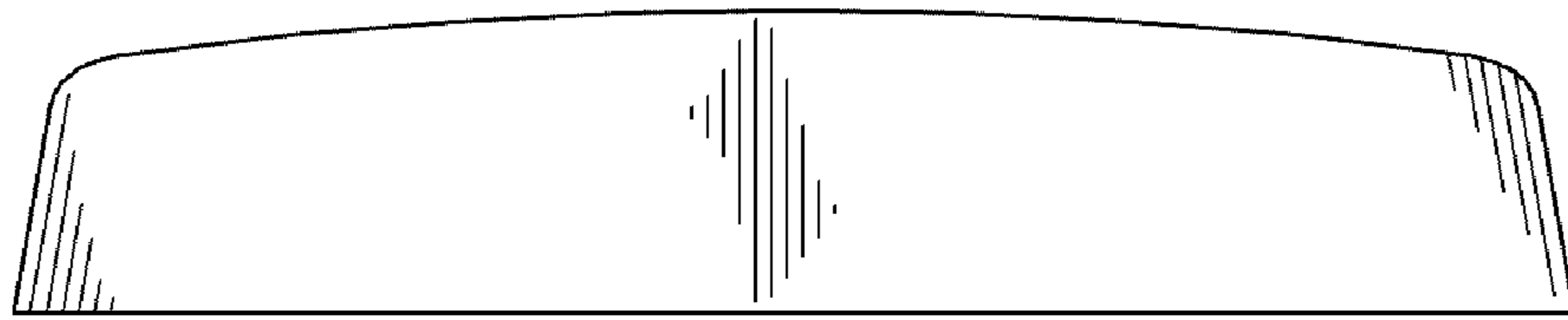


FIG. 6

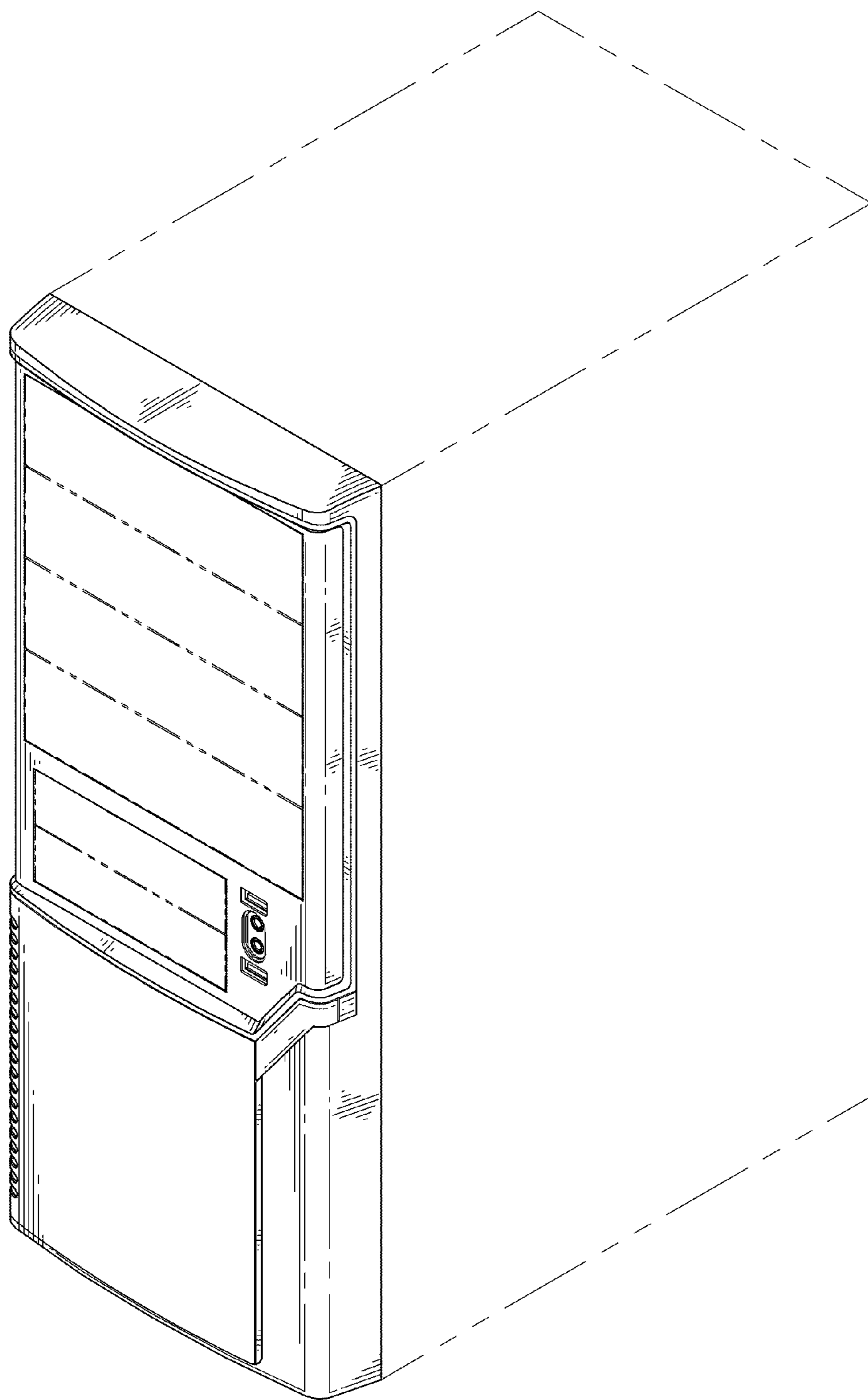


FIG. 7