



US00D643039S

(12) **United States Design Patent**
Wilday et al.

(10) **Patent No.:** **US D643,039 S**
(45) **Date of Patent:** **** Aug. 9, 2011**

(54) **MULTI-FUNCTION IMAGING AND PRINTING DEVICE**

(75) Inventors: **Ryan Lane Wilday**, San Diego, CA (US); **David Bradley Short**, San Diego, CA (US); **Josh Maruska**, Seattle, WA (US); **Tad Toulis**, Seattle, WA (US); **Benoit Collette**, Seattle, WA (US)

(73) Assignee: **Hewlett-Packard Development Company, L.P.**, Houston, TX (US)

(**) Term: **14 Years**

(21) Appl. No.: **29/380,592**

(22) Filed: **Dec. 8, 2010**

(51) **LOC (9) Cl.** **14-02**

(52) **U.S. Cl.** **D14/422; D18/50**

(58) **Field of Classification Search** D14/420, D14/422, 425, 462-470, 424, 389, 125, 399; D18/54, 55, 50, 53, 36-39, 14, 18-21, 49, D18/46, 52, 56, 51, 54.4; D13/164, 168; 358/400, 401, 448, 474, 486-488, 496, 497, 358/494, 473, 302, 468, 498; 382/312, 317, 382/321, 315; 400/613, 613.1-613.4, 690.1-690.4, 400/691-694, 88, 175; 399/107, 379, 380, 399/211, 212; 235/462.11, 462.41, 472.01, 235/470, 462.43; 361/680, 681; 378/177, 378/187, 188; 101/93.4, 269; 355/78; D24/165, D24/169, 186; 600/502, 503, 499, 494, 490, 600/485, 500, 492, 480, 493, 495, 479; 128/900; 16/286; 347/104, 109, 5; 271/186, 225, 271/126, 121, 137, 138

See application file for complete search history.

(56) **References Cited**

U.S. PATENT DOCUMENTS

D231,539 S * 4/1974 MacConkey D14/462
D249,797 S * 10/1978 Van Acker et al. D18/36
D272,154 S * 1/1984 Saito D18/54

D285,211 S * 8/1986 Nibley et al. D18/55
D286,437 S * 10/1986 Nishibori D24/165
D286,640 S * 11/1986 Miyazaki D18/54
D290,959 S * 7/1987 Ooie D14/462
D293,578 S * 1/1988 Matsumoto et al. D18/55
D295,750 S * 5/1988 Imai D14/422
D301,141 S * 5/1989 Sugimoto D18/54
4,904,100 A * 2/1990 Enix 400/613
D307,157 S * 4/1990 Sakaguchi et al. D18/54
D309,298 S * 7/1990 Pushelberg D14/242
D314,972 S * 2/1991 Osaka et al. D18/54
D315,172 S * 3/1991 Lampe D18/54
D317,014 S * 5/1991 Oyamada et al. D18/54
5,061,097 A * 10/1991 Piatt 400/619
D321,711 S * 11/1991 Yoshihara et al. D18/54
D321,898 S * 11/1991 Kasee et al. D18/55
D322,278 S * 12/1991 Kawashima et al. D18/54
D322,981 S * 1/1992 Tokuda D18/54
D322,982 S * 1/1992 Tashiro D18/54
D323,344 S * 1/1992 Umino et al. D18/54
D324,395 S * 3/1992 Dubson D18/54
D329,862 S * 9/1992 Watanabe et al. D16/208
5,182,697 A * 1/1993 I-Shou 361/679.02
D333,302 S * 2/1993 Ebihara et al. D14/462

(Continued)

Primary Examiner — Susan Moon Lee

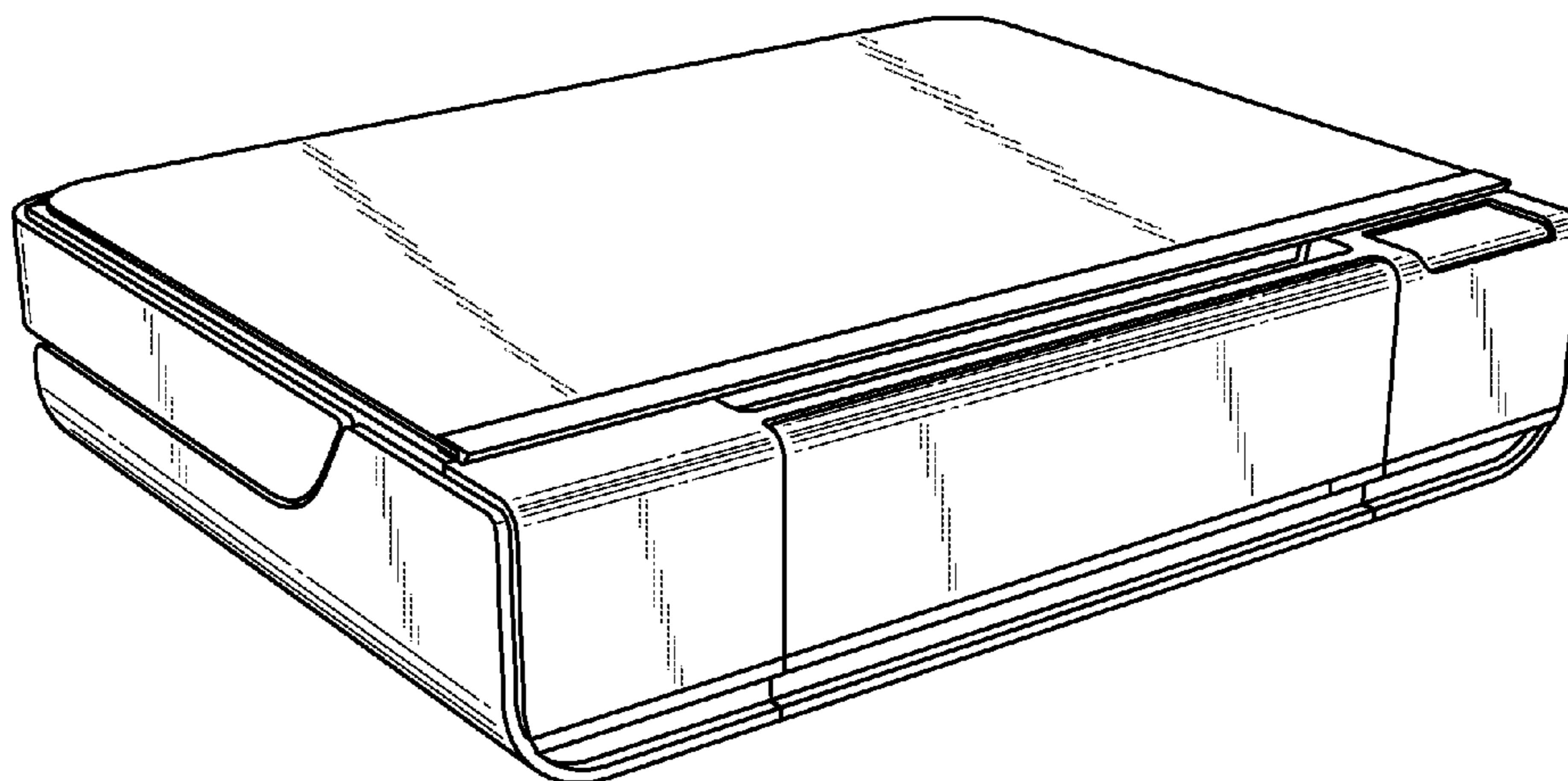
(57) **CLAIM**

The ornamental design for a multi-function imaging and printing device, substantially as shown and described.

DESCRIPTION

FIG. 1 is a top-left-front perspective view of a multi-function imaging and printing device;
FIG. 2 is a top view thereof;
FIG. 3 is a bottom view thereof;
FIG. 4 is a front view thereof;
FIG. 5 is a rear view thereof;
FIG. 6 is a left side view thereof; and,
FIG. 7 is a right side view thereof.
The portions shown in broken lines are for illustrative purposes only and form no part of the claimed design.

1 Claim, 5 Drawing Sheets



US D643,039 S

U.S. PATENT DOCUMENTS

| | | | | | |
|--------------|------|---------|--------------------|-------|----------|
| D337,608 | S * | 7/1993 | Miyamoto | | D18/55 |
| D338,231 | S * | 8/1993 | Miyamoto | | D18/55 |
| D338,487 | S * | 8/1993 | Martin | | D18/50 |
| 5,236,265 | A * | 8/1993 | Saito et al. | | 400/88 |
| D339,156 | S * | 9/1993 | Sato et al. | | D18/50 |
| D339,157 | S * | 9/1993 | Miyamoto et al. | | D18/50 |
| D339,158 | S * | 9/1993 | Sato | | D18/50 |
| D339,372 | S * | 9/1993 | Kando | | D18/50 |
| D339,576 | S * | 9/1993 | Sawada et al. | | D14/462 |
| D340,065 | S * | 10/1993 | Fukuda | | D18/50 |
| D340,740 | S * | 10/1993 | Kawashima | | D18/50 |
| D343,409 | S * | 1/1994 | Kobayashi | | D18/50 |
| D343,411 | S * | 1/1994 | Chen | | D18/50 |
| D343,637 | S * | 1/1994 | Umino et al. | | D18/55 |
| D345,353 | S * | 3/1994 | Dietrich | | D14/462 |
| D350,764 | S * | 9/1994 | Gray et al. | | D18/19 |
| D352,056 | S * | 11/1994 | Kawashima et al. | | D18/50 |
| D352,731 | S * | 11/1994 | Sugimoto | | D18/50 |
| D354,981 | S * | 1/1995 | Kobayashi et al. | | D18/54 |
| 5,423,529 | A * | 6/1995 | Saito et al. | | 271/127 |
| D360,621 | S * | 7/1995 | Schoening | | D14/345 |
| D361,084 | S * | 8/1995 | Yamanaka et al. | | D18/50 |
| D362,267 | S * | 9/1995 | Yamanaka et al. | | D18/50 |
| D364,639 | S * | 11/1995 | Tashiro | | D18/50 |
| D368,255 | S * | 3/1996 | Sasaki et al. | | D14/420 |
| D369,617 | S * | 5/1996 | Sato | | D18/54 |
| 5,531,431 | A * | 7/1996 | Saito et al. | | 271/4.01 |
| D374,888 | S * | 10/1996 | Udagawa | | D18/50 |
| D384,945 | S * | 10/1997 | Takada et al. | | D14/420 |
| D384,969 | S * | 10/1997 | Inoue et al. | | D18/54 |
| 5,737,097 | A * | 4/1998 | Fujimoto | | 358/476 |
| D401,614 | S * | 11/1998 | Moriyama | | D18/36 |
| D401,965 | S * | 12/1998 | Pangburn | | D18/55 |
| D409,233 | S * | 5/1999 | Kondo | | D18/54 |
| D413,351 | S * | 8/1999 | Escobedo et al. | | D18/50 |
| D420,446 | S * | 2/2000 | Kehr et al. | | D24/186 |
| D428,623 | S * | 7/2000 | Igarashi | | D18/54 |
| D430,894 | S * | 9/2000 | Inoue | | D18/54 |
| D430,895 | S * | 9/2000 | Inoue | | D18/54 |
| D436,123 | S * | 1/2001 | Ito et al. | | D18/54 |
| D439,607 | S * | 3/2001 | Inoue et al. | | D18/54 |
| 6,200,043 | B1 * | 3/2001 | Inoue et al. | | 400/88 |
| D440,246 | S * | 4/2001 | Yin | | D18/50 |
| D443,889 | S * | 6/2001 | Yamano et al. | | D18/50 |
| 6,250,827 | B1 * | 6/2001 | Nojima et al. | | 400/691 |
| D450,345 | S * | 11/2001 | Miyazaki | | D18/50 |
| 6,382,761 | B1 * | 5/2002 | Asano et al. | | 347/19 |
| 6,382,858 | B1 * | 5/2002 | Nojima et al. | | 400/691 |
| D459,389 | S * | 6/2002 | Kaseno | | D18/50 |
| D463,485 | S * | 9/2002 | Yoshida et al. | | D18/50 |
| D466,920 | S * | 12/2002 | Kawahara et al. | | D18/50 |
| D466,921 | S * | 12/2002 | Senshiki | | D18/54 |
| 6,556,314 | B1 * | 4/2003 | Shiraishi et al. | | 358/471 |
| 6,568,674 | B2 * | 5/2003 | Matsuda | | 271/274 |
| D483,059 | S * | 12/2003 | Goh et al. | | D18/50 |
| D483,061 | S * | 12/2003 | Wong | | D18/55 |
| D486,178 | S * | 2/2004 | Wong et al. | | D18/55 |
| D490,845 | S * | 6/2004 | Fukushima | | D18/50 |
| 6,786,665 | B2 * | 9/2004 | Hwang et al. | | 400/693 |
| D497,940 | S * | 11/2004 | Hwang et al. | | D18/50 |
| D523,071 | S * | 6/2006 | Katayama et al. | | D18/50 |
| 7,265,869 | B2 * | 9/2007 | Silverbrook et al. | | 358/1.3 |
| D552,167 | S * | 10/2007 | Lee et al. | | D18/50 |
| D562,378 | S * | 2/2008 | Kim et al. | | D18/50 |
| D563,413 | S * | 3/2008 | Kuroda et al. | | D14/422 |
| D563,958 | S * | 3/2008 | Genatossio et al. | | D14/422 |
| D609,237 | S * | 2/2010 | Romanoff et al. | | D14/422 |
| D609,711 | S * | 2/2010 | Kuroda et al. | | D14/453 |
| D610,146 | S * | 2/2010 | Kuroda et al. | | D14/422 |
| D610,147 | S * | 2/2010 | Kuroda et al. | | D14/422 |
| D610,148 | S * | 2/2010 | Kuroda et al. | | D14/422 |
| D610,149 | S * | 2/2010 | Kuroda et al. | | D14/422 |
| D610,150 | S * | 2/2010 | Kuroda et al. | | D14/453 |
| D610,151 | S * | 2/2010 | Kuroda et al. | | D14/453 |
| D610,152 | S * | 2/2010 | Kuroda et al. | | D14/453 |
| D610,153 | S * | 2/2010 | Kuroda et al. | | D14/453 |
| D610,154 | S * | 2/2010 | Kuroda et al. | | D14/453 |
| D610,155 | S * | 2/2010 | Kuroda et al. | | D14/453 |
| D616,889 | S * | 6/2010 | Kuroda et al. | | D14/422 |
| D619,588 | S * | 7/2010 | Kuroda et al. | | D14/453 |
| D619,589 | S * | 7/2010 | Kuroda et al. | | D14/453 |
| D620,492 | S * | 7/2010 | Tang et al. | | D14/422 |
| D624,544 | S * | 9/2010 | Kuroda et al. | | D14/422 |
| D624,545 | S * | 9/2010 | Kuroda et al. | | D14/422 |
| D624,546 | S * | 9/2010 | Kuroda et al. | | D14/422 |
| D624,547 | S * | 9/2010 | Kuroda et al. | | D14/422 |
| D631,479 | S * | 1/2011 | Komuro et al. | | D14/422 |
| 2003/0206762 | A1 * | 11/2003 | Hwang et al. | | 400/693 |
| 2004/0004642 | A1 * | 1/2004 | Koike et al. | | 347/5 |
| 2004/0067089 | A1 * | 4/2004 | Tanaami et al. | | 400/693 |

* cited by examiner

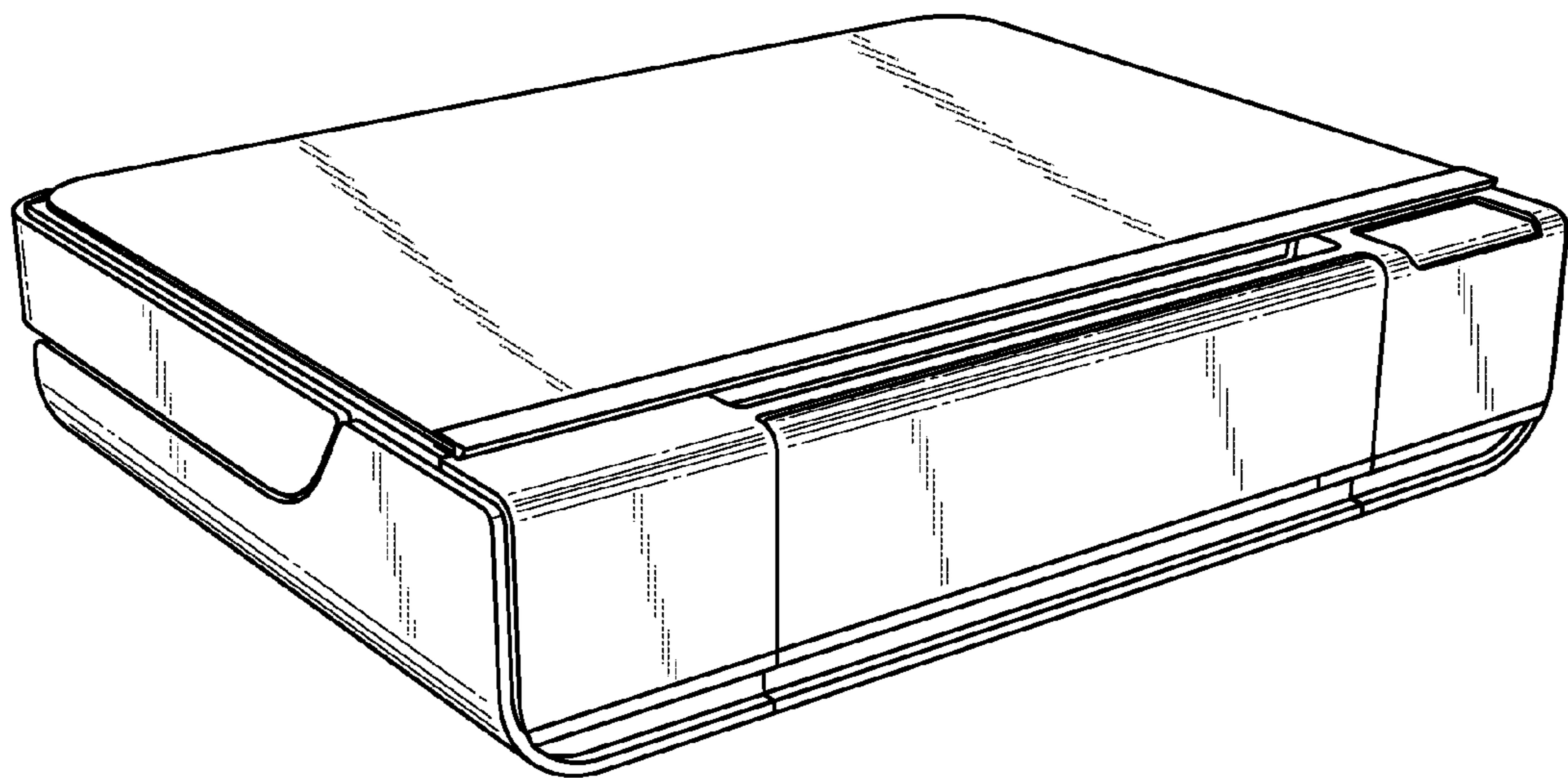


Fig. 1

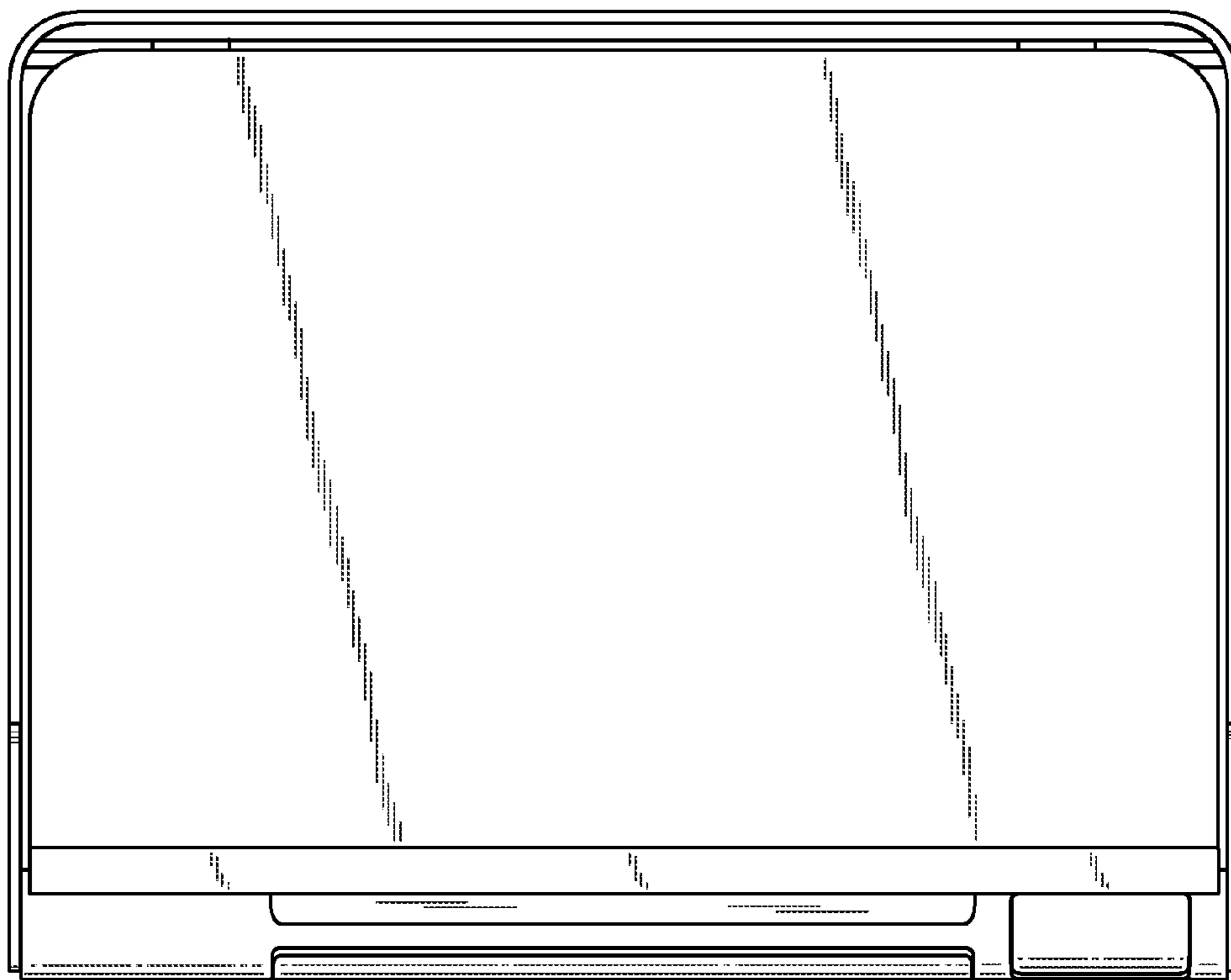


Fig. 2

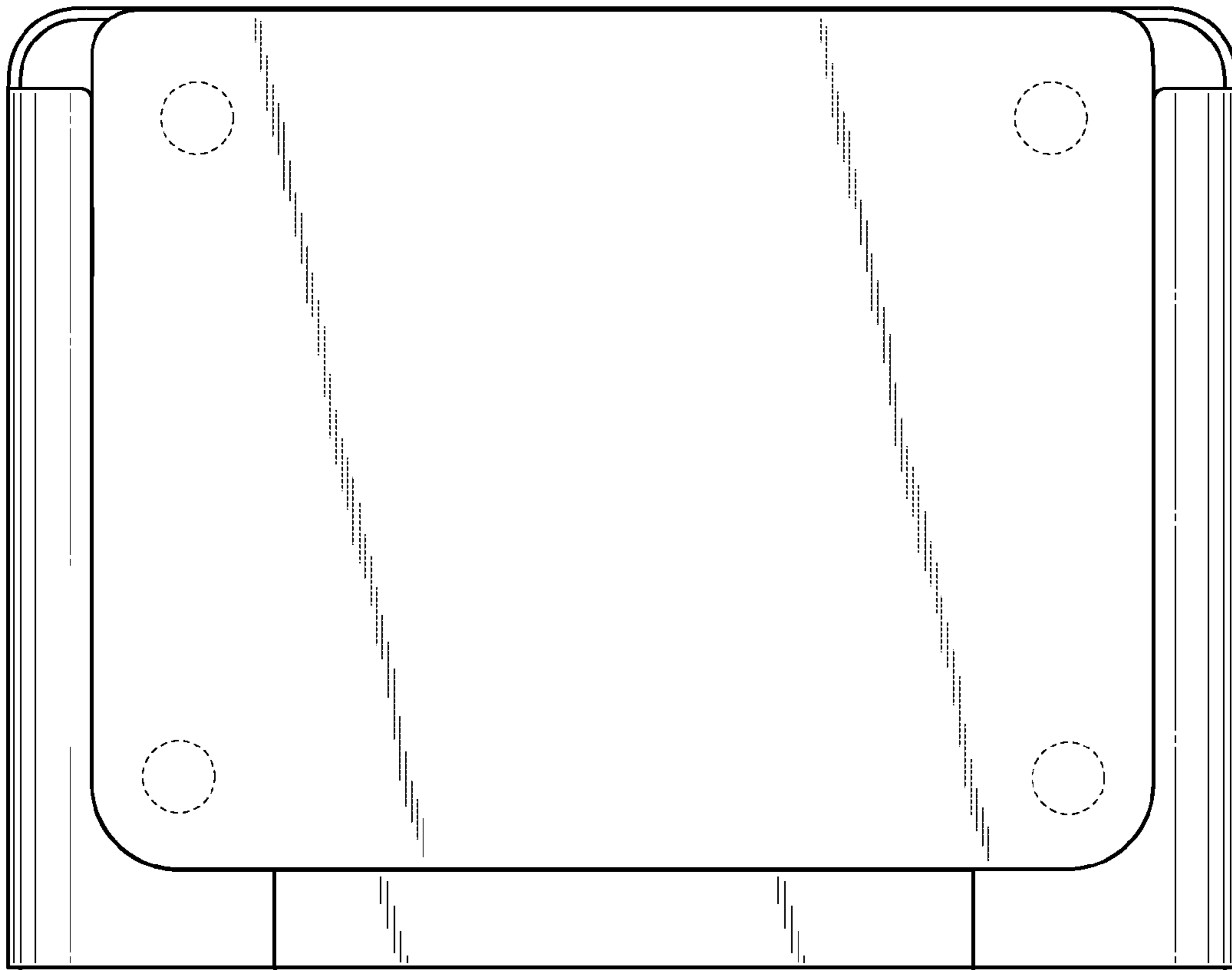


Fig. 3

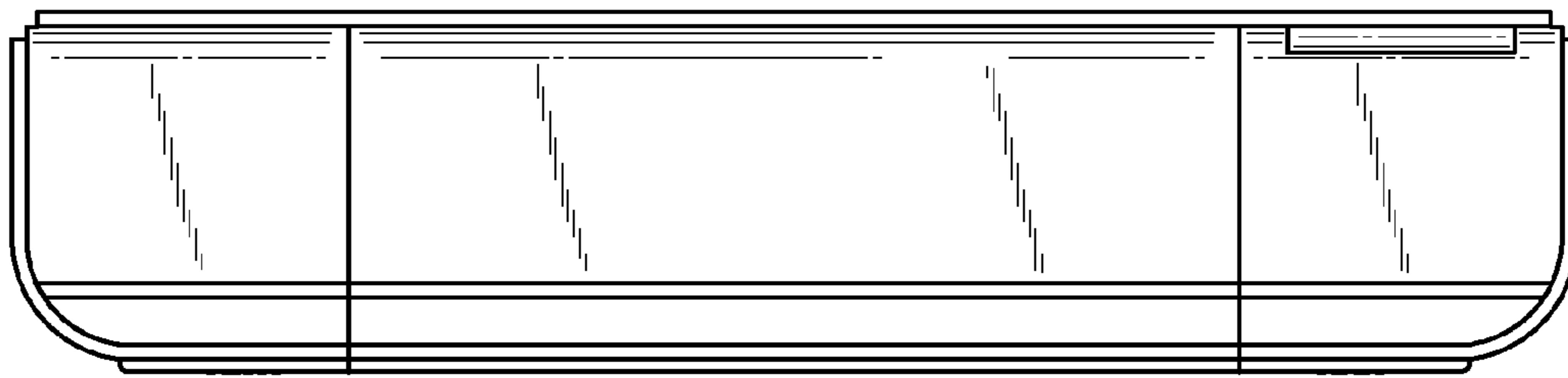


Fig. 4

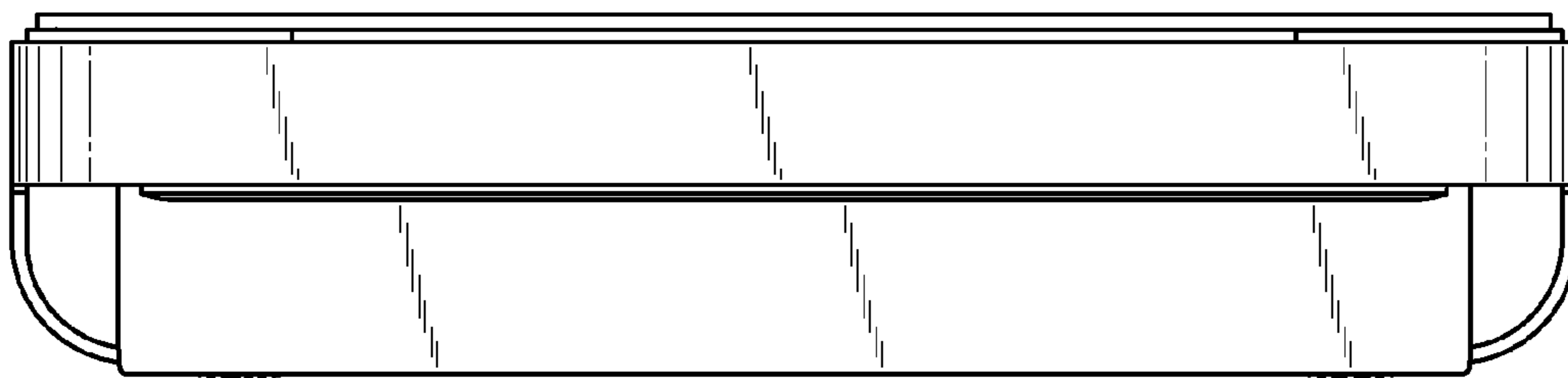


Fig. 5

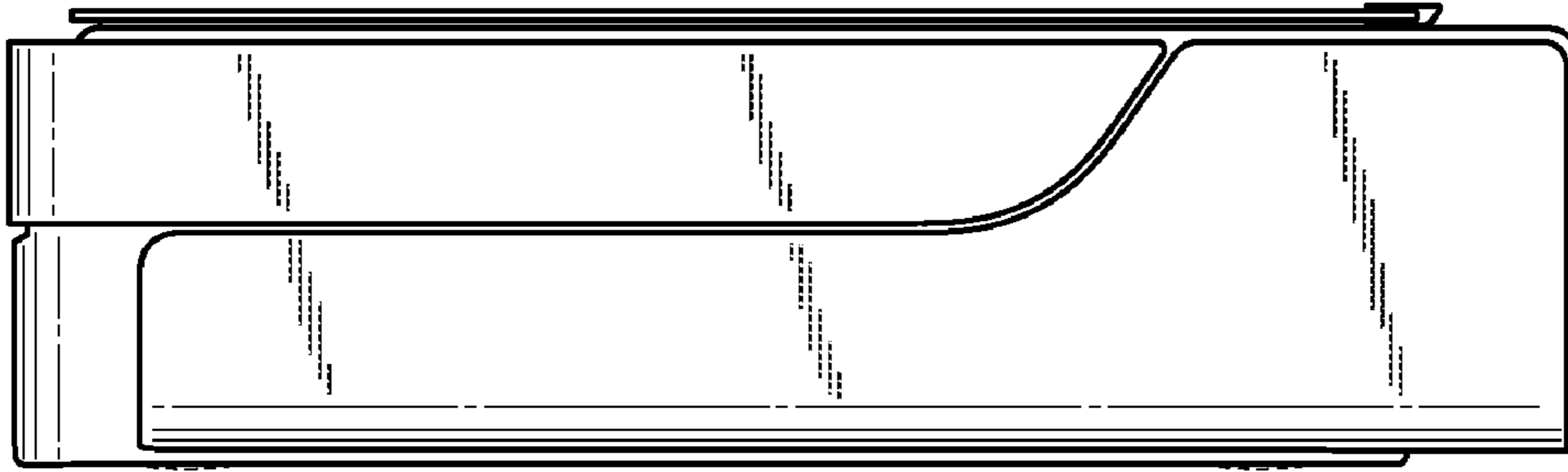


Fig. 6

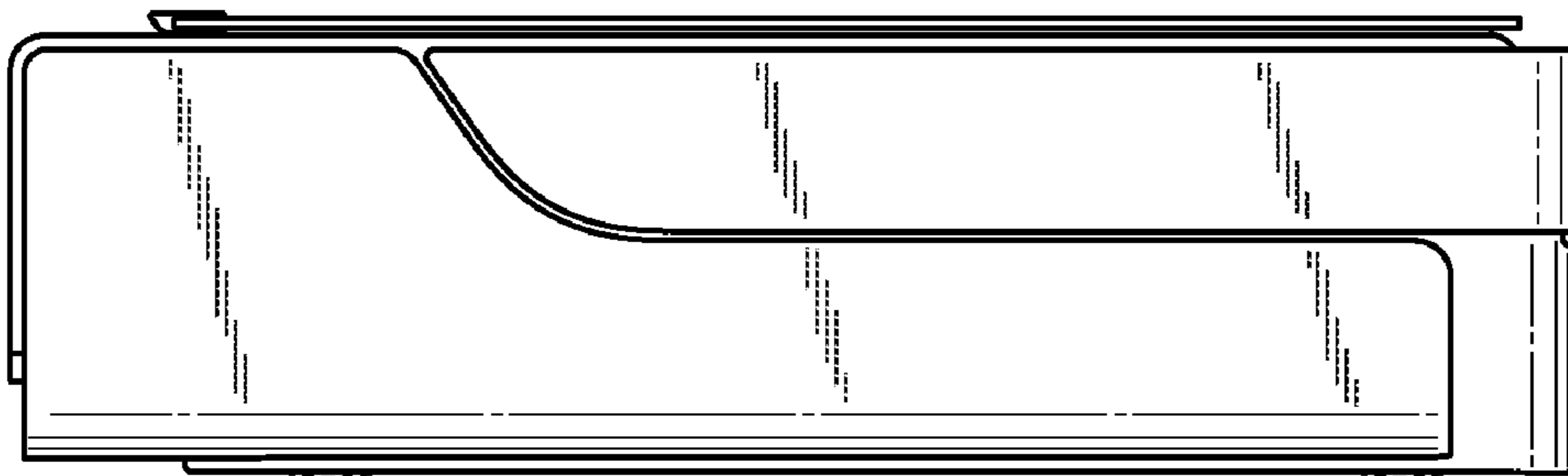


Fig. 7