



US00D643038S

(12) **United States Design Patent**
Schönhütte

(10) **Patent No.:** **US D643,038 S**

(45) **Date of Patent:** **** Aug. 9, 2011**

(54) **COMPUTER MOUSE**

(75) Inventor: **Ingo Schönhütte**, Eberdingen (DE)

(73) Assignee: **Porsche Lizenz und
Handelsgesellschaft mbH & Co. KG**,
Bietigheim-Bissingen (DE)

(**) Term: **14 Years**

(21) Appl. No.: **29/383,431**

(22) Filed: **Jan. 18, 2011**

(30) **Foreign Application Priority Data**

Jul. 19, 2010 (EM) 001732827

(51) **LOC (9) Cl.** **14-02**

(52) **U.S. Cl.** **D14/403**

(58) **Field of Classification Search** D14/402-411,
D14/356, 388, 389, 383-385, 417, 426;
345/156-167; 463/36-38; 358/471, 473
See application file for complete search history.

(56) **References Cited**

U.S. PATENT DOCUMENTS

5,245,146	A *	9/1993	Florence	200/333
D374,001	S *	9/1996	Vance	D14/403
D387,748	S *	12/1997	Martella	D14/403
5,692,956	A *	12/1997	Rifkin	463/37
D404,027	S *	1/1999	Bush	D14/403
D413,113	S *	8/1999	Nebel	D14/403
D426,215	S *	6/2000	Whalen	D14/403
D438,210	S *	2/2001	Vance	D14/403

D440,569	S *	4/2001	Chang et al.	D14/403
D440,973	S *	4/2001	Bush	D14/403
D440,974	S *	4/2001	Heard et al.	D14/403
D441,363	S *	5/2001	Heard et al.	D14/403
D441,364	S *	5/2001	Lawhon	D14/403
D441,751	S *	5/2001	Heard et al.	D14/403
D451,511	S *	12/2001	Hervig et al.	D14/403
D492,685	S *	7/2004	Vlcek	D14/403

* cited by examiner

Primary Examiner — Austin Murphy

(74) *Attorney, Agent, or Firm* — RatnerPrestia

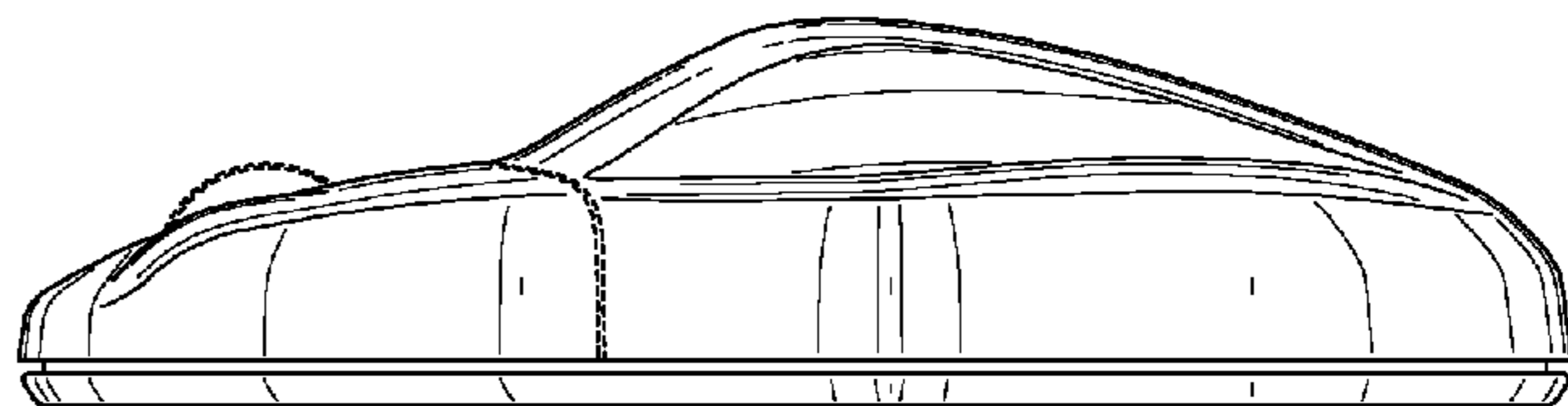
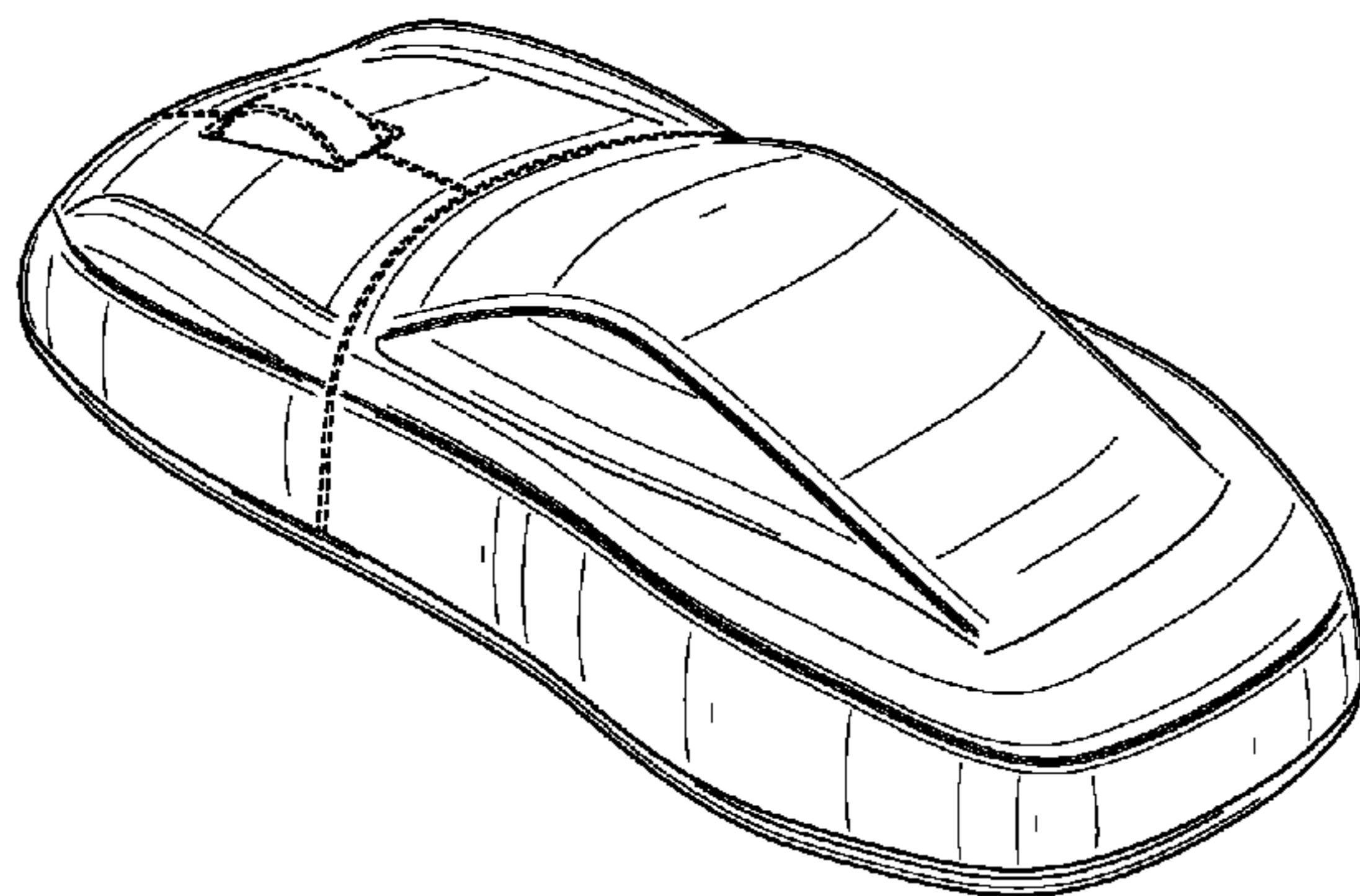
(57) **CLAIM**

The ornamental design for a computer mouse, as shown and described.

DESCRIPTION

FIG. 1 is a perspective view from the rear right corner of a computer mouse;
FIG. 2 is a perspective view from the front right corner of the computer mouse;
FIG. 3 is a front elevation view of the computer mouse;
FIG. 4 is a rear elevation view of the computer mouse;
FIG. 5 is an elevation view from the left side of the computer mouse;
FIG. 6 is an elevation view from the right side of the computer mouse;
FIG. 7 is a top plan view of the computer mouse; and,
FIG. 8 is a bottom plan view of the computer mouse.
The broken lines are for illustration purposes only and form no part of the claimed design.

1 Claim, 7 Drawing Sheets



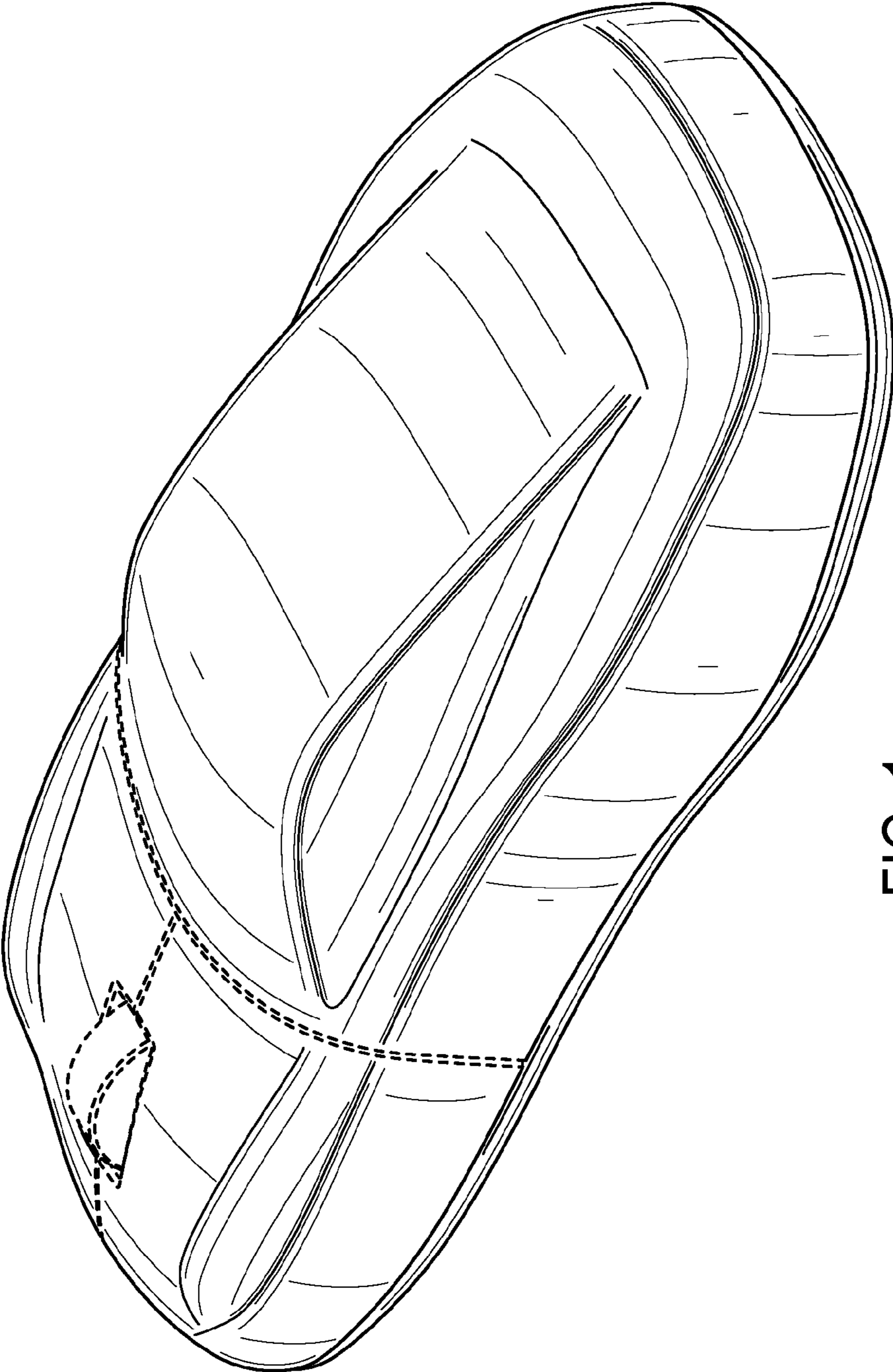


FIG. 1

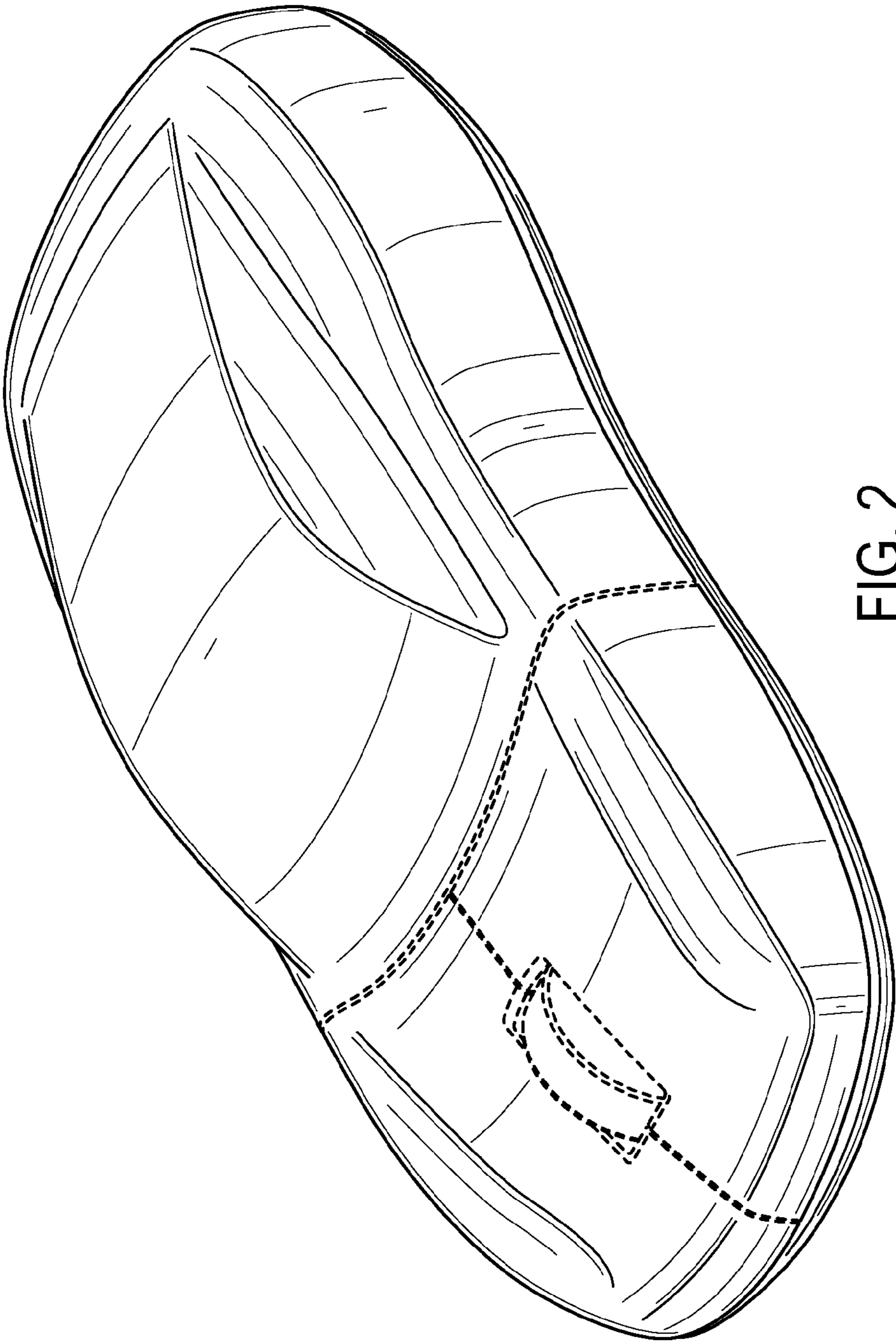


FIG. 2

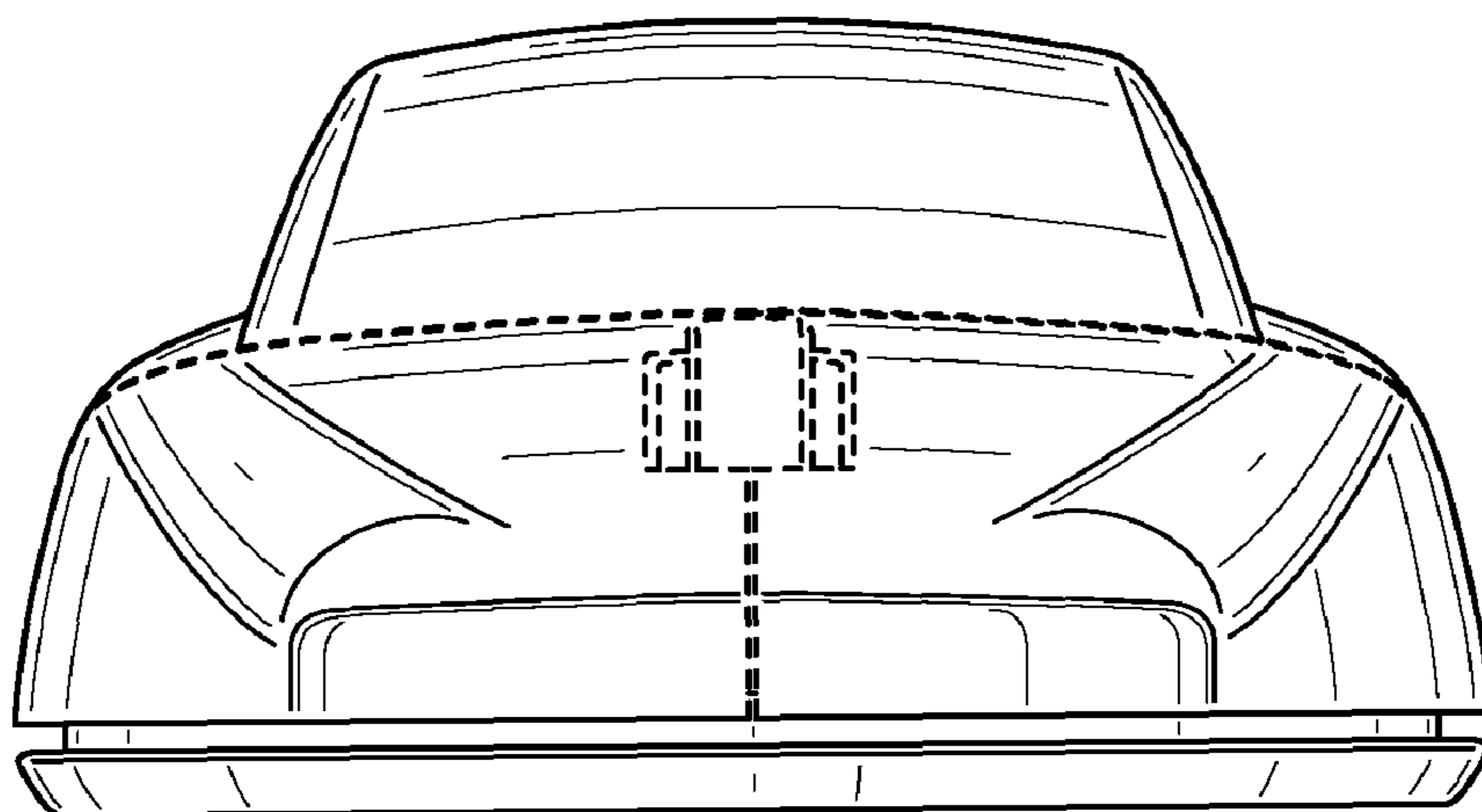


FIG. 3

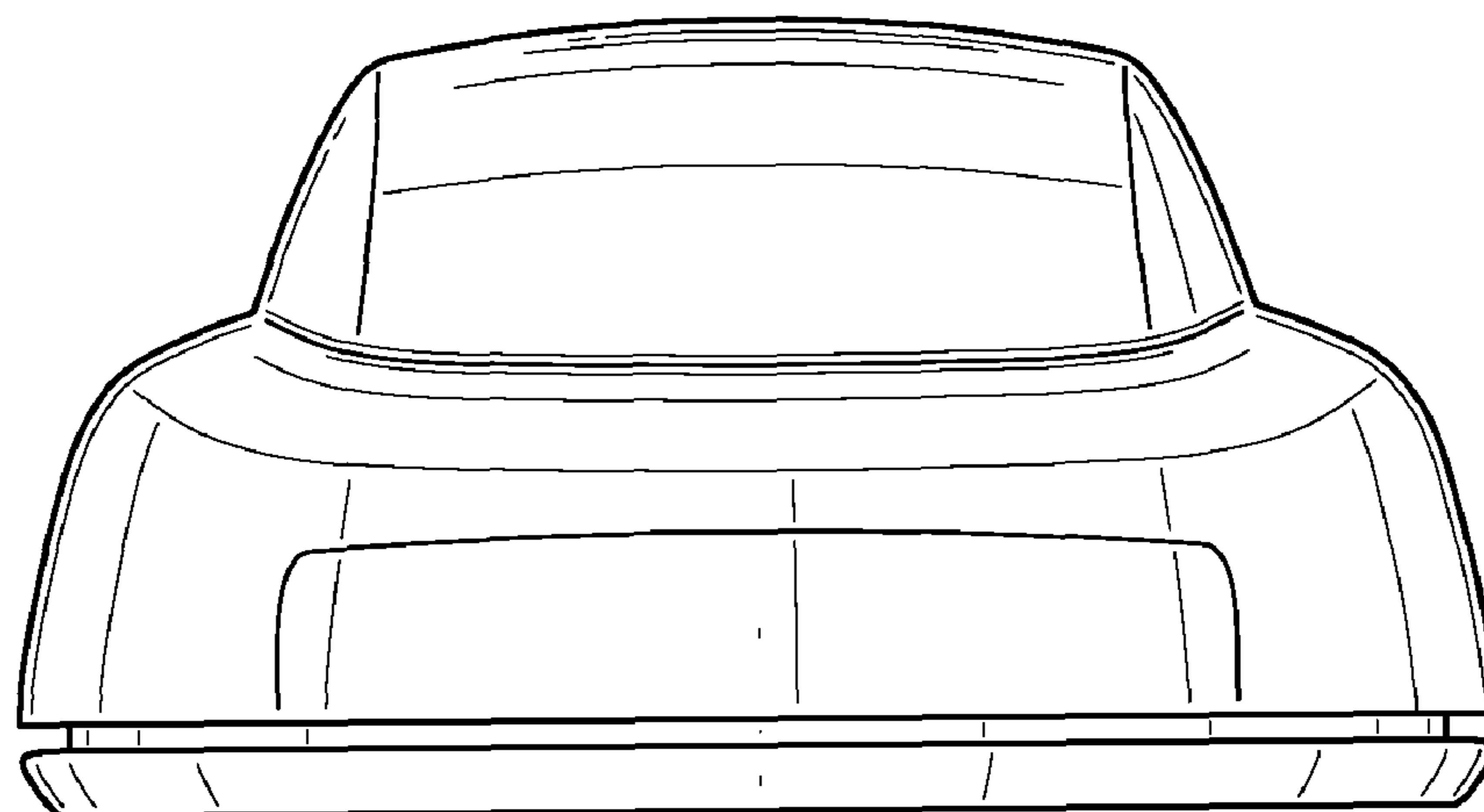


FIG. 4

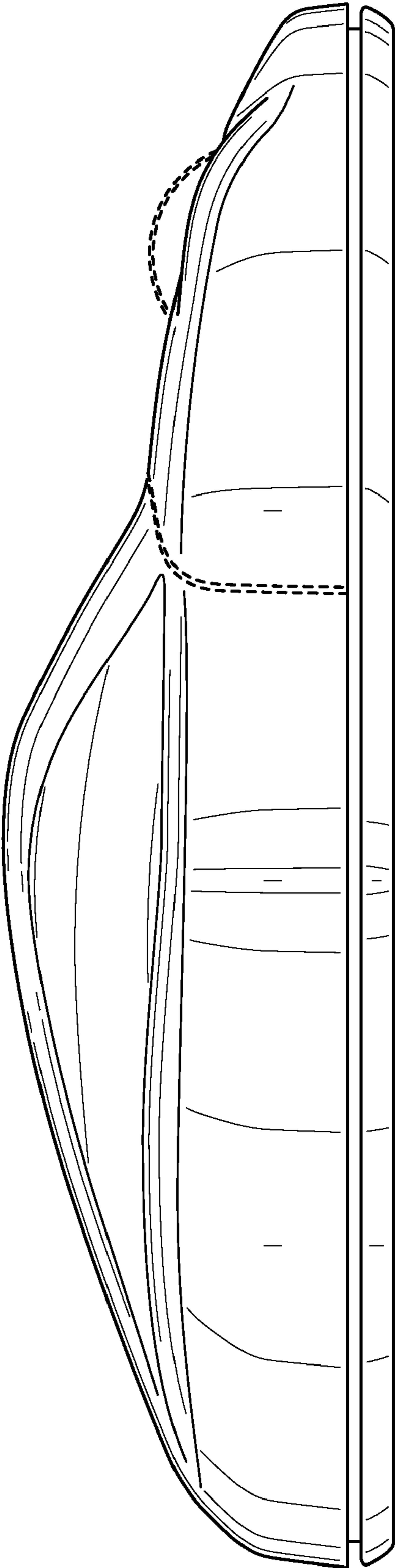


FIG. 5

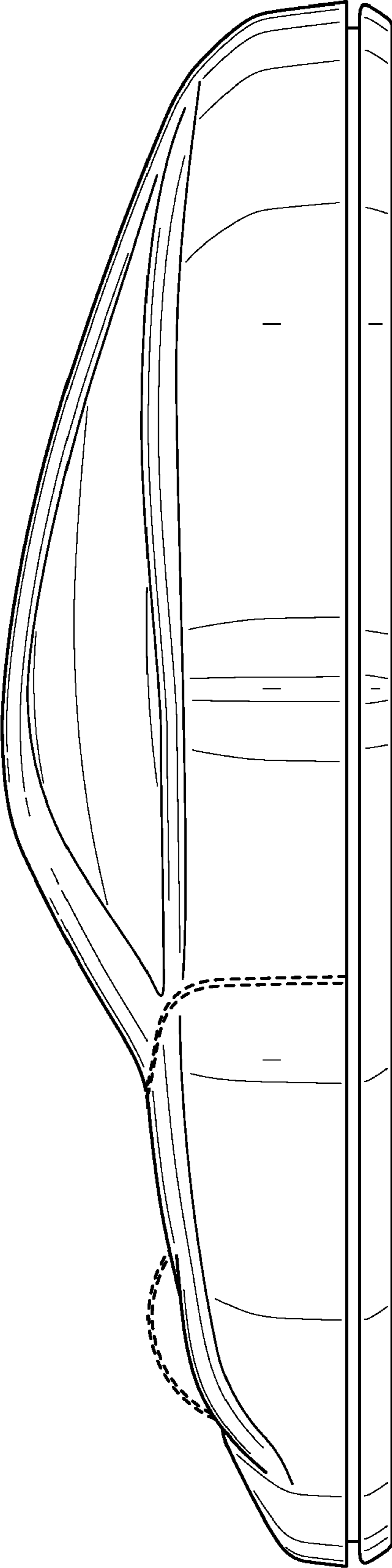


FIG. 6

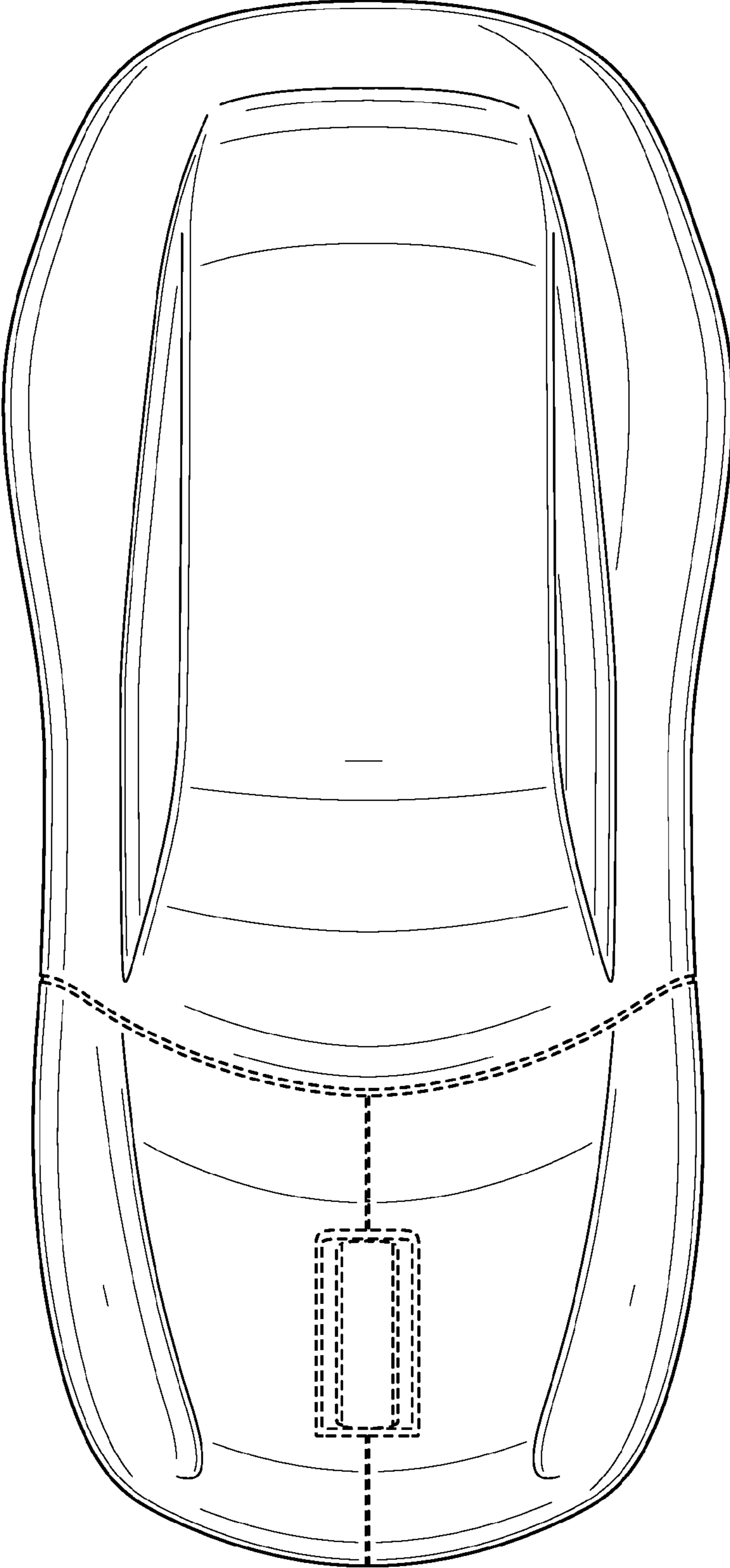


FIG. 7

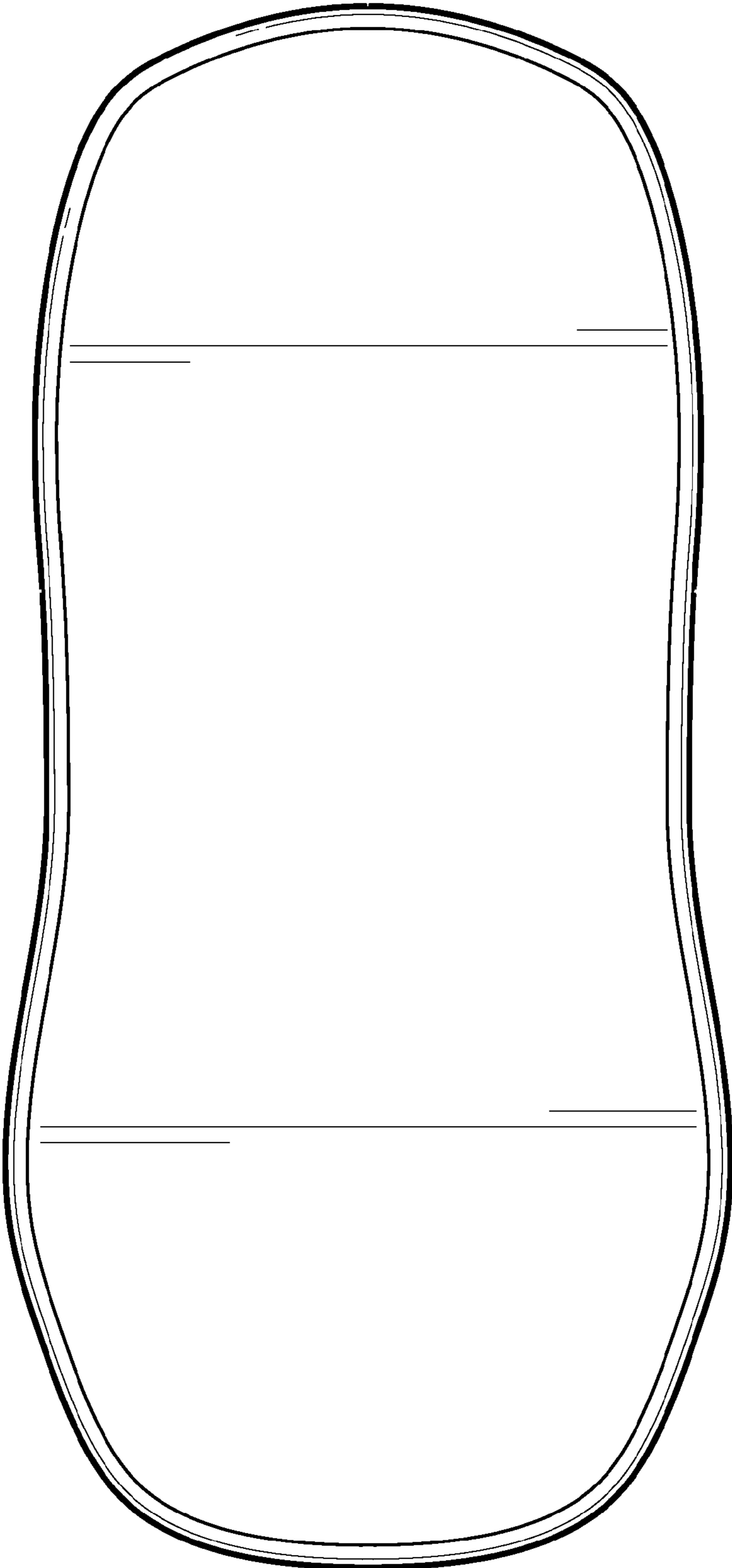


FIG. 8