



US00D643033S

(12) **United States Design Patent**
Lee et al.

(10) **Patent No.:** **US D643,033 S**
(45) **Date of Patent:** **** Aug. 9, 2011**

(54) **PORTABLE DEVICE**

(75) Inventors: **Chun-Hsien Lee**, Taipei (TW); **Kris Verstockt**, Taipei (TW)

(73) Assignee: **Primax Electronics Ltd.**, Taipei (TW)

(**) Term: **14 Years**

(21) Appl. No.: **29/376,799**

(22) Filed: **Oct. 12, 2010**

(30) **Foreign Application Priority Data**

Sep. 3, 2010 (TW) 99304407

(51) **LOC (9) Cl.** **14-02**

(52) **U.S. Cl.** **D14/315**

(58) **Field of Classification Search** D14/315-327;
D18/1, 2, 7, 11; 178/17 A, 17 C; 345/102,
345/104, 156, 163, 168, 173, 1.1; 341/22,
341/23; 361/679.11, 679.26, 679.27; 400/486,
400/489

See application file for complete search history.

(56) **References Cited**

U.S. PATENT DOCUMENTS

5,900,848 A * 5/1999 Haneda et al. 345/1.1
6,067,224 A * 5/2000 Nobuchi 361/679.27
D485,263 S * 1/2004 Kamegi D14/320
6,768,635 B2 * 7/2004 Lai et al. 361/679.11
D611,467 S * 3/2010 Gou D14/315

D615,079 S * 5/2010 Masuyama et al. D14/315
2003/0090473 A1 * 5/2003 Joshi 345/173
2005/0018396 A1 * 1/2005 Nakajima et al. 361/683
2005/0270277 A1 * 12/2005 Park 345/173

* cited by examiner

Primary Examiner — Freda Nunn

(74) *Attorney, Agent, or Firm* — Kirton & McConkie; Evan R. Witt

(57) **CLAIM**

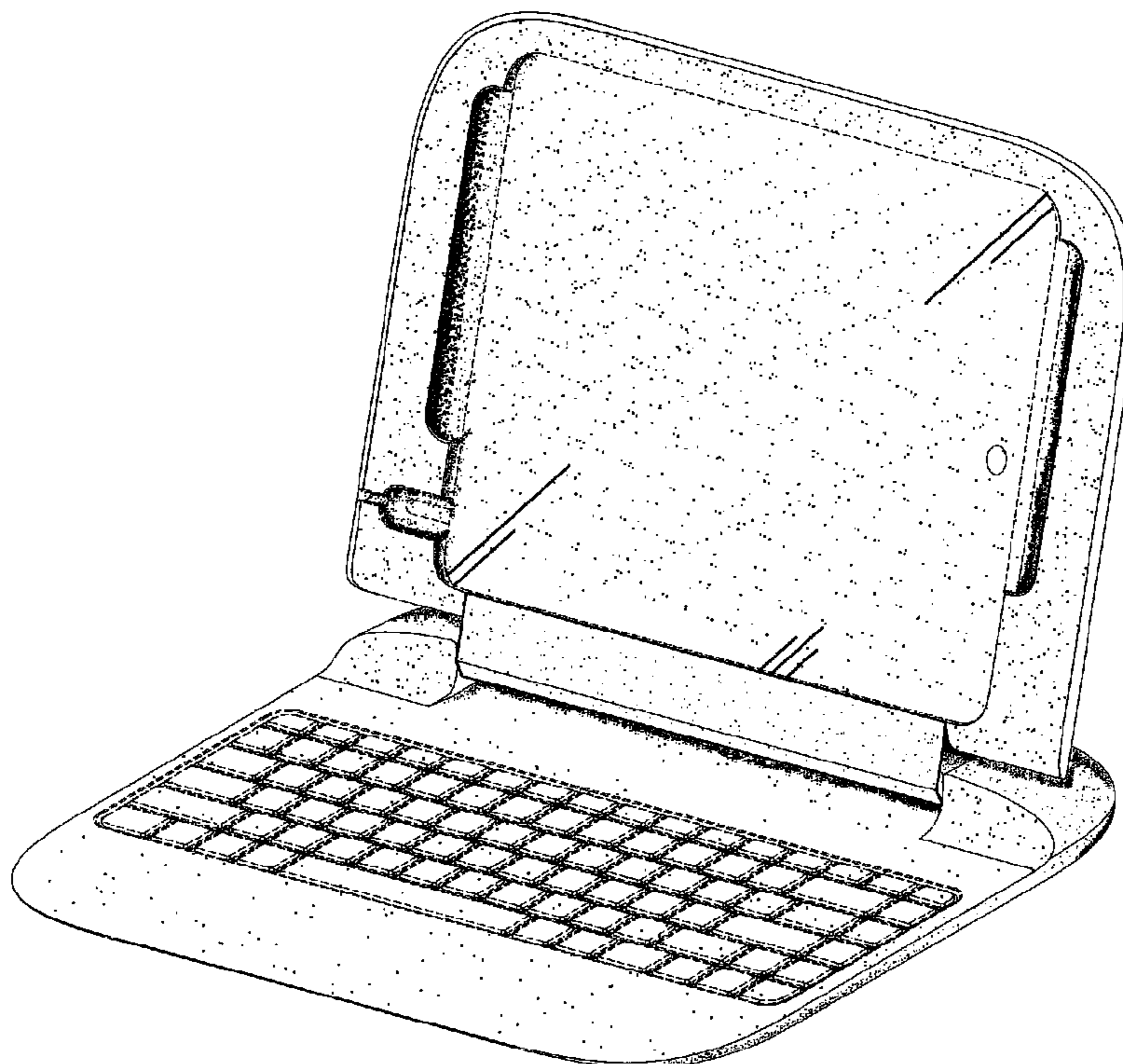
The ornamental design for a portable device, as shown and described.

DESCRIPTION

FIG. 1 is a perspective view of a portable device shown, with the portable device in an open state;
FIG. 2 is a front view thereof;
FIG. 3 is a rear view thereof;
FIG. 4 is a left side view thereof;
FIG. 5 is a right side view thereof;
FIG. 6 is a top view thereof;
FIG. 7 is a bottom plan view thereof;
FIG. 8 is a perspective view of the portable device shown, with the portable device in a close state; and,
FIG. 9 is a perspective view of the portable device showing an apparatus set in the portable device.

The broken lines showing the keyboard, the apparatus set in the portable device, and other features are for illustrative purpose only and form no part of the claimed design.

1 Claim, 9 Drawing Sheets



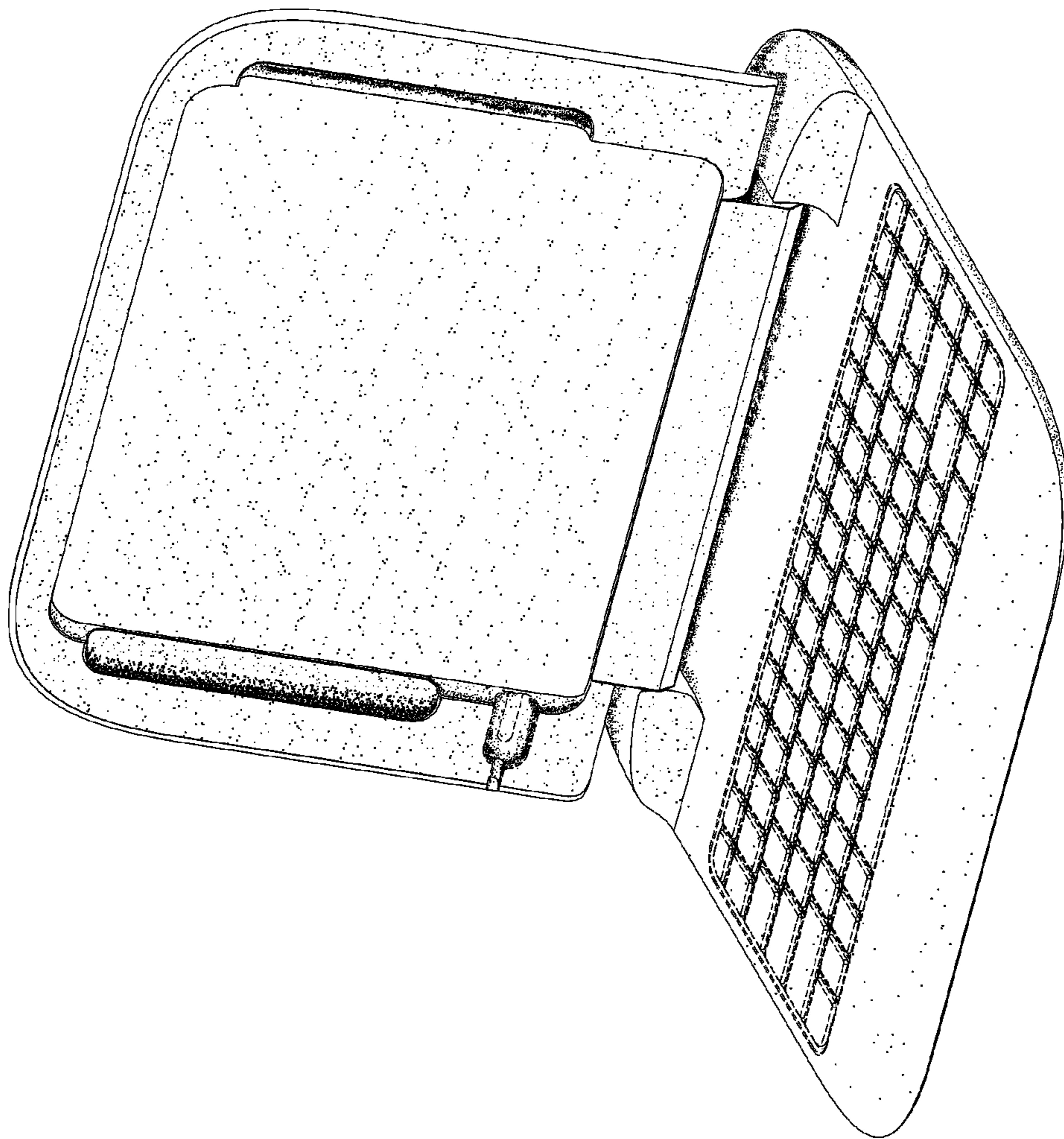


FIG. 1

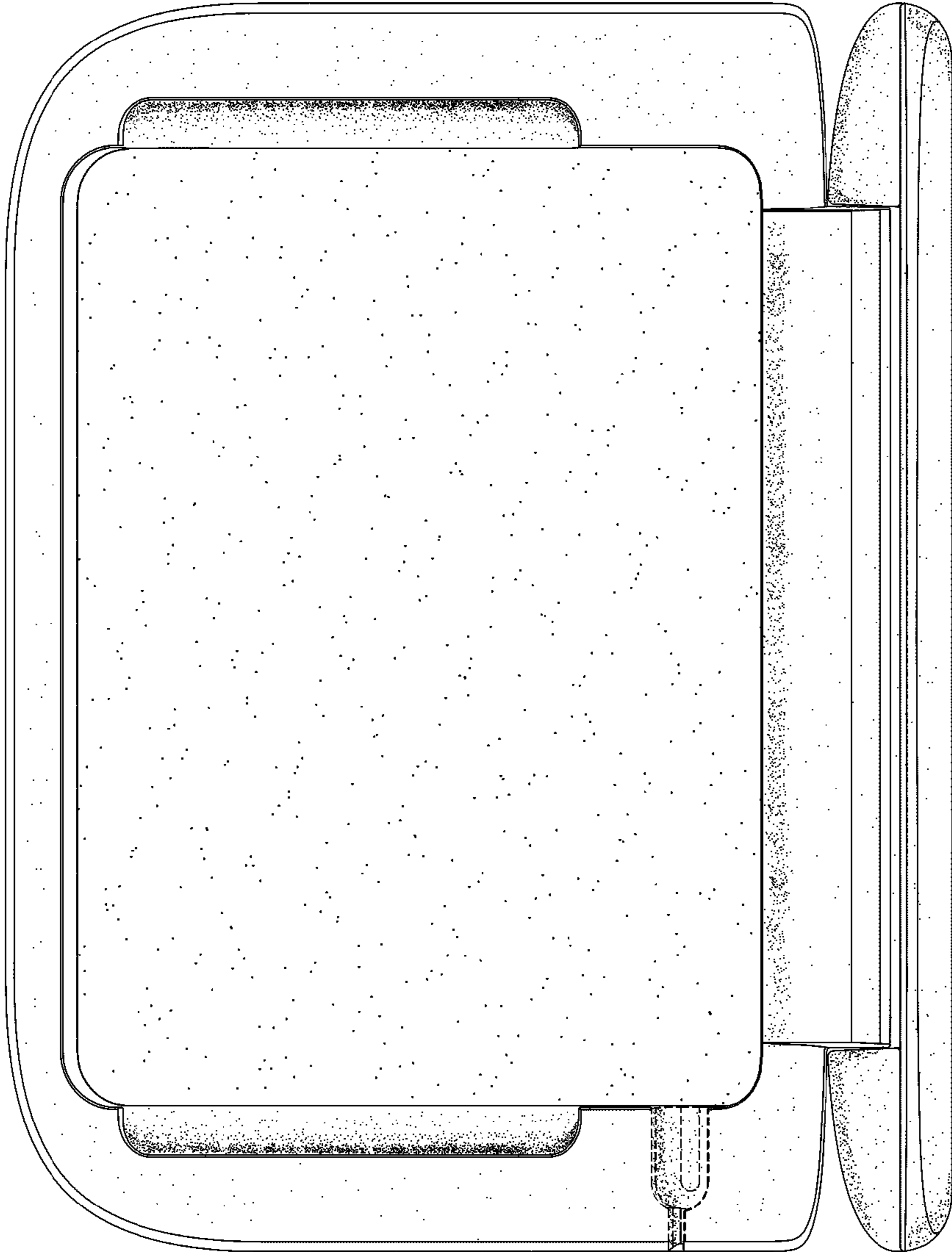


FIG. 2

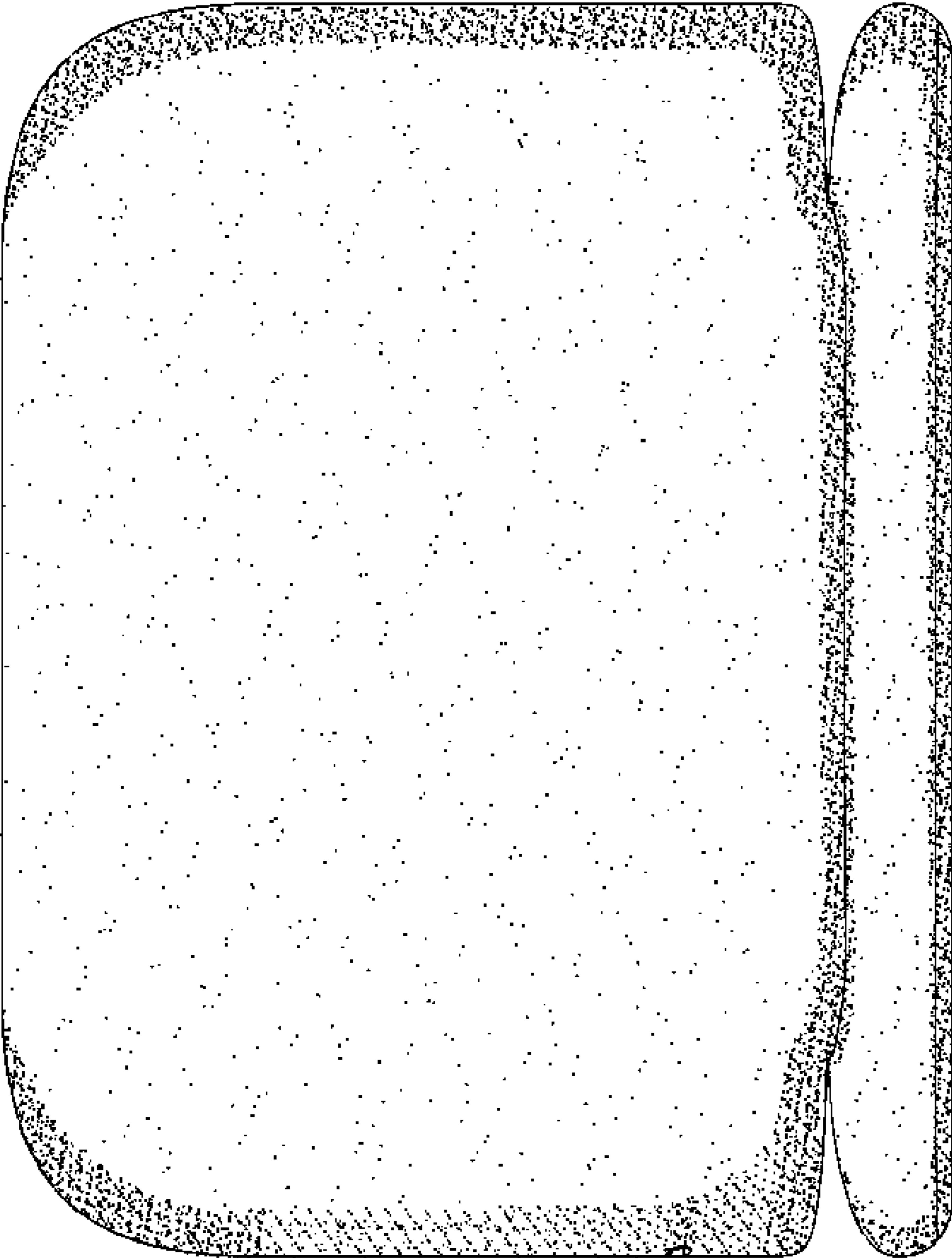


FIG. 3

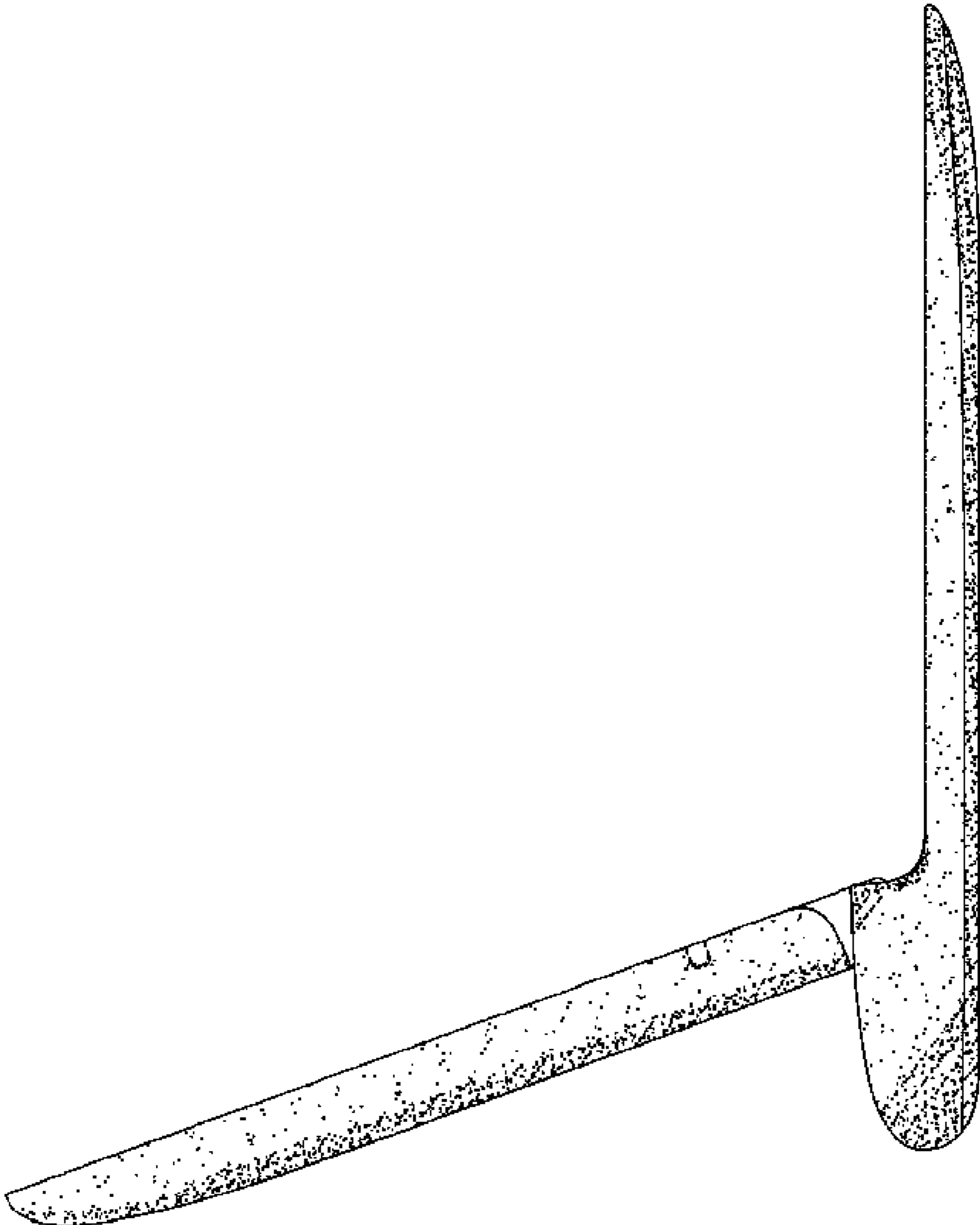


FIG. 4

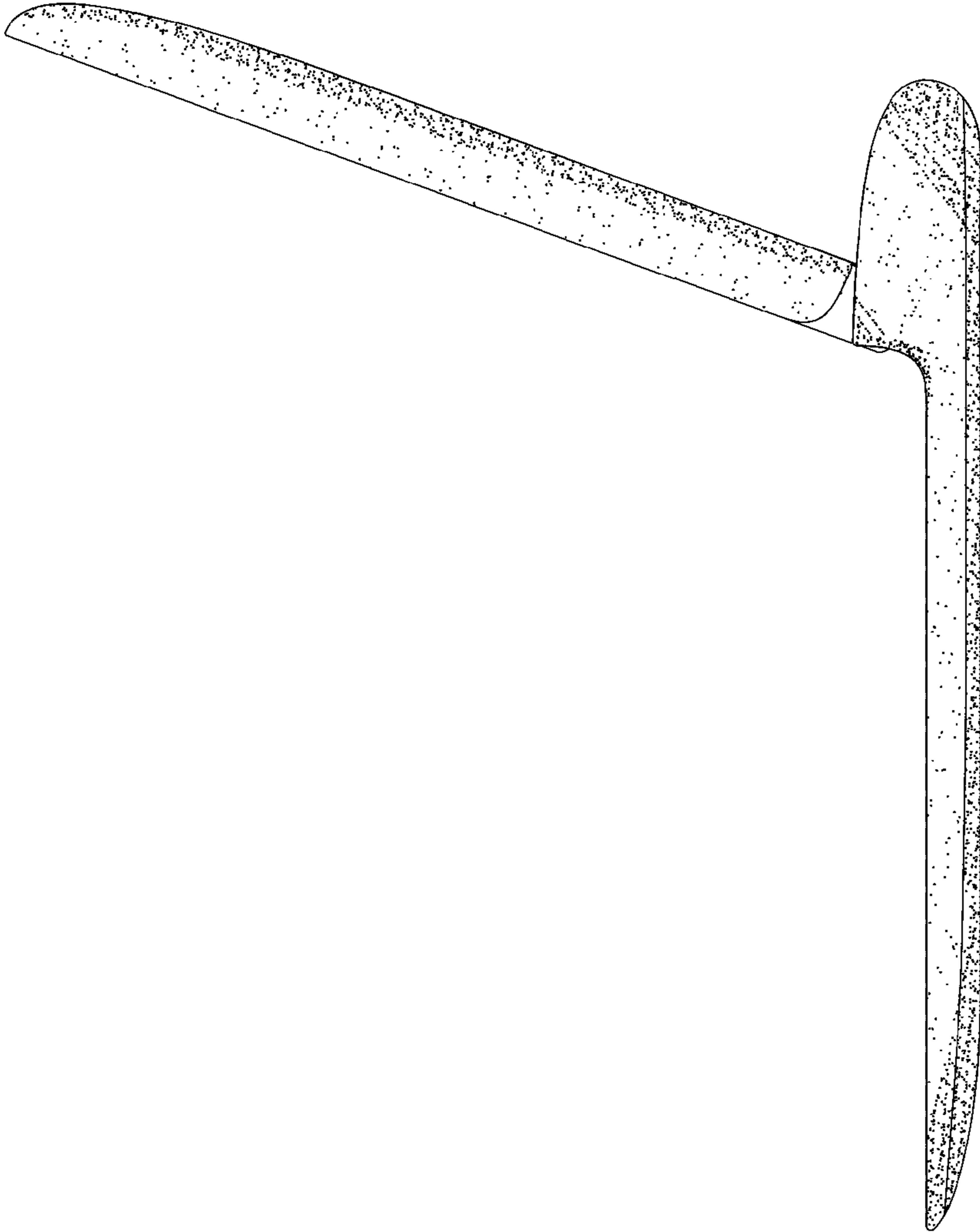


FIG. 5

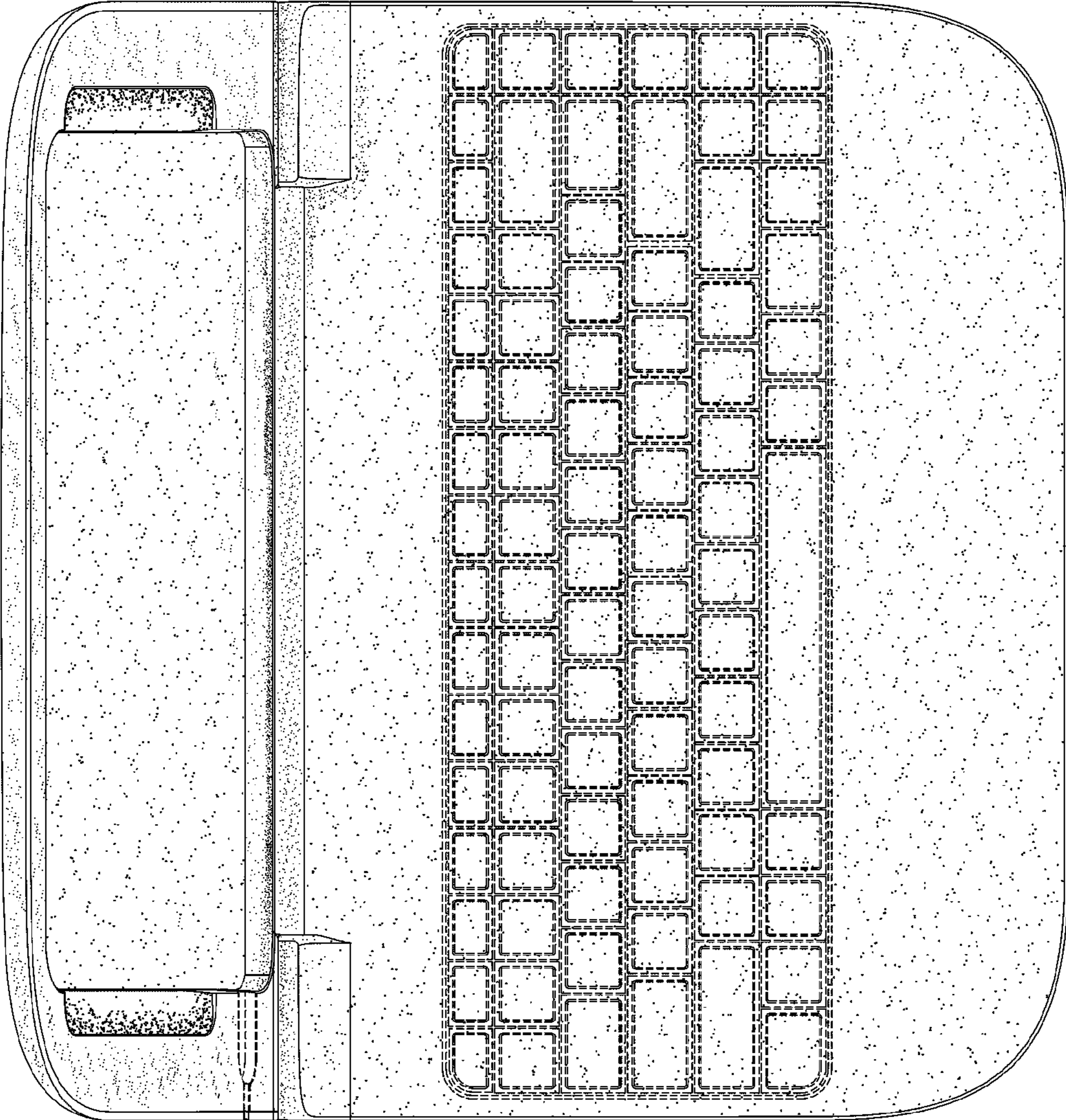


FIG. 6

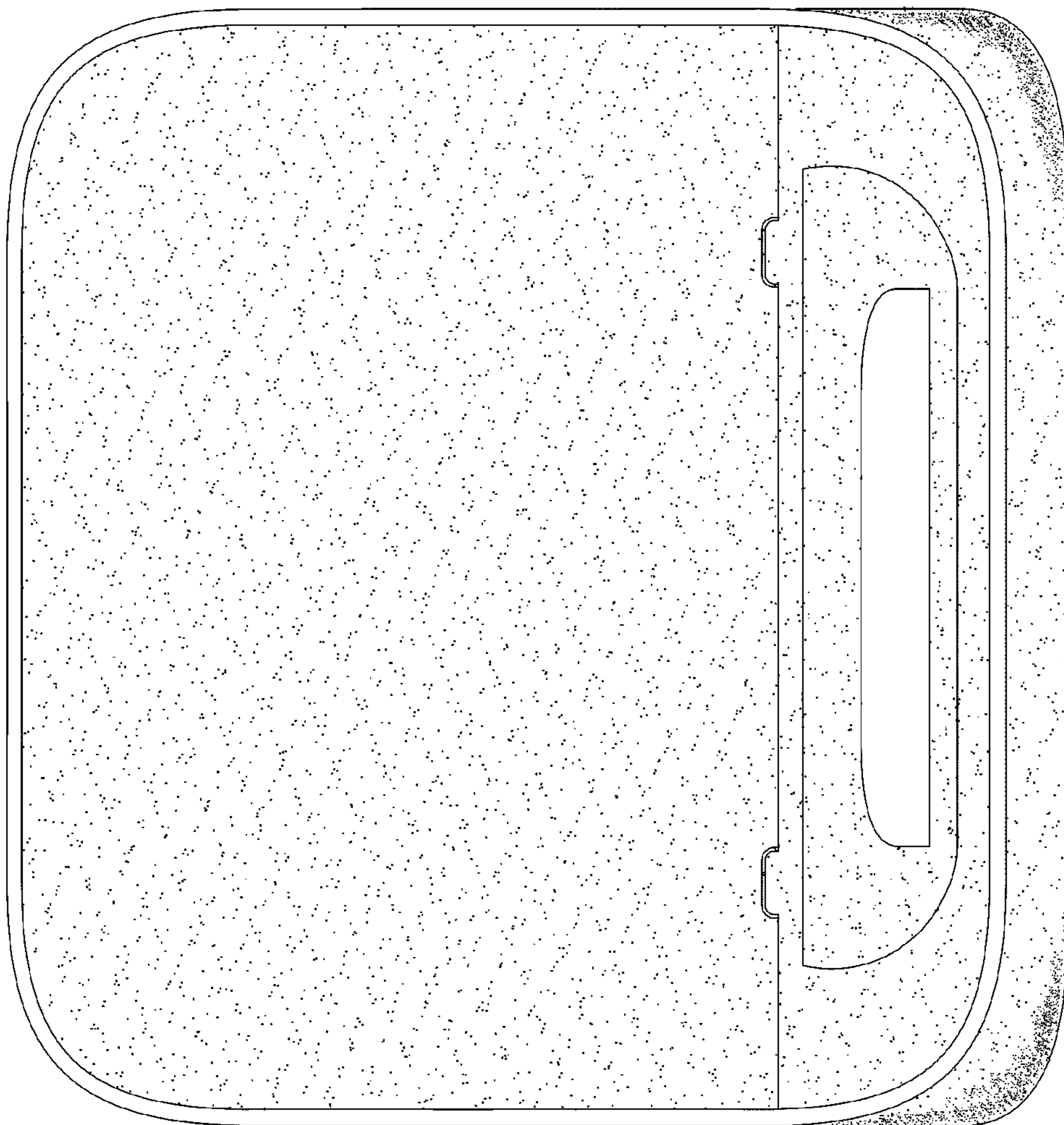


FIG. 7

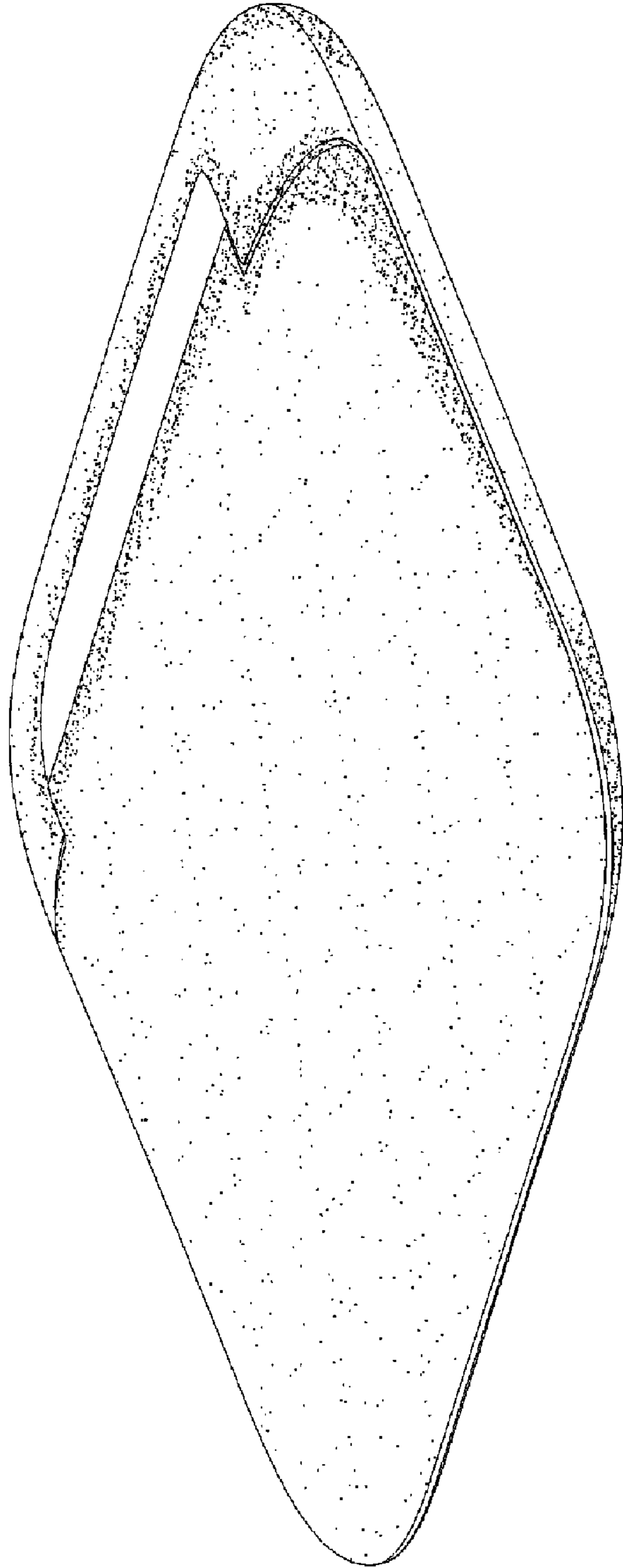


FIG. 8

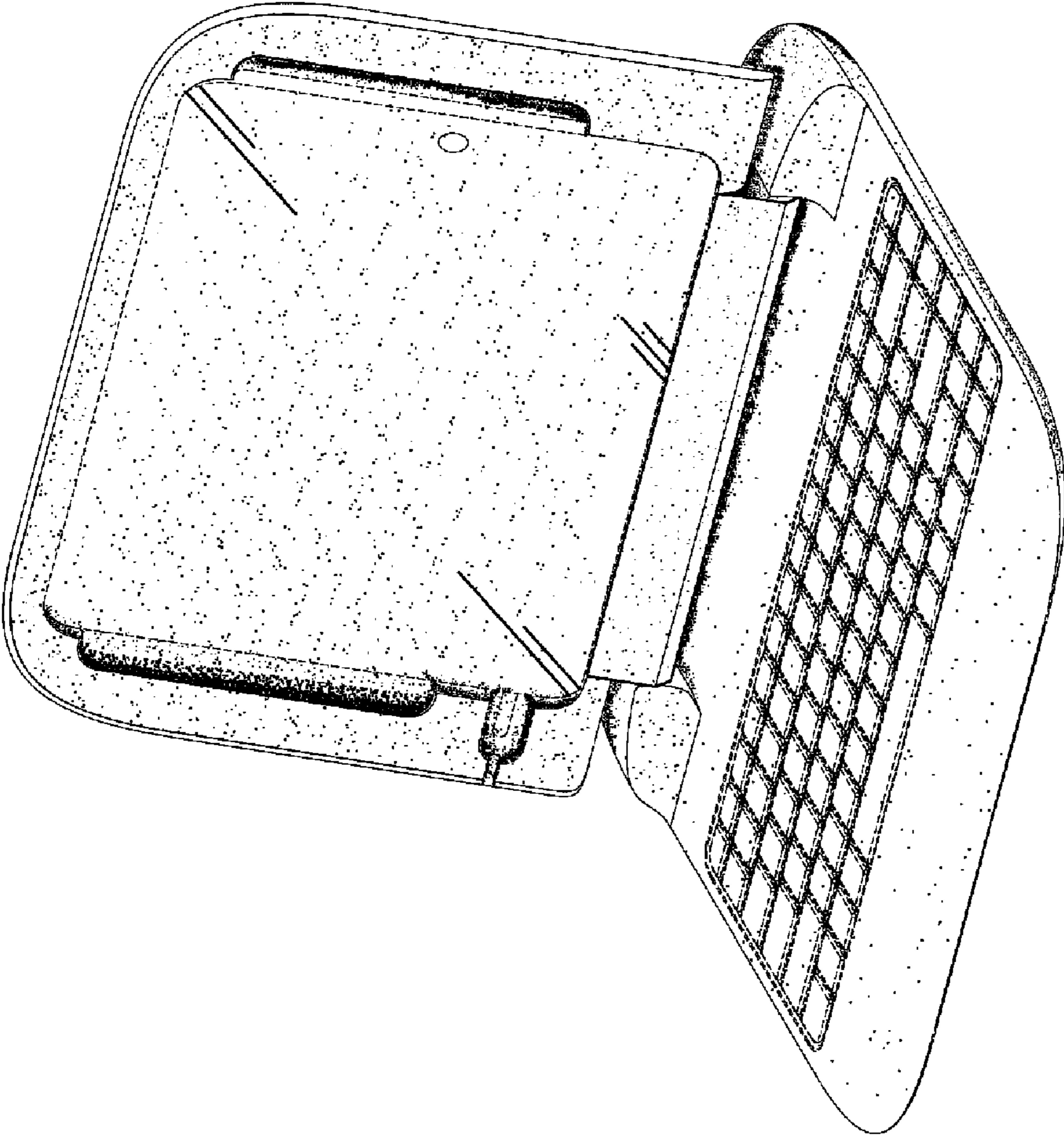


FIG. 9