



US00D643031S

(12) **United States Design Patent**
Yoon et al.

(10) **Patent No.:** **US D643,031 S**
(45) **Date of Patent:** **** Aug. 9, 2011**

- (54) **NOTEBOOK COMPUTER**
 - (75) Inventors: **Sang-Won Yoon**, Seoul (KR);
Seung-Hyun Paek, Kyunggi-do (KR);
Ik-Sang Kim, Seoul (KR)
 - (73) Assignee: **Samsung Electronics Co., Ltd.**, Suwon,
Kyunggi-Do (KR)
 - (**) Term: **14 Years**
 - (21) Appl. No.: **29/370,567**
 - (22) Filed: **Aug. 5, 2010**
 - (51) **LOC (9) Cl.** **14-02**
 - (52) **U.S. Cl.** **D14/315**
 - (58) **Field of Classification Search** D14/315-328;
D18/1, 2, 7, 11; 235/145 A, 145 R; 341/22,
341/23; 345/104, 156, 168, 169, 173, 87,
345/901-905; 361/679.08-679.18; 400/486,
400/489; 710/14
- See application file for complete search history.

- D547,310 S 7/2007 Yoon
- D556,192 S 11/2007 Jeong et al.
- D567,236 S 4/2008 Yoon
- D578,523 S 10/2008 Yoon
- D578,524 S 10/2008 Yoon
- D578,525 S 10/2008 Yoon
- D580,432 S 11/2008 Yun et al.
- D586,343 S 2/2009 Lee et al.
- D586,796 S 2/2009 Lee et al.
- D586,797 S 2/2009 Kawase et al.
- D587,701 S 3/2009 Yoon
- D596,633 S 7/2009 Kawase et al.
- D603,391 S 11/2009 Song et al.
- D603,392 S 11/2009 Jeong et al.
- D603,393 S 11/2009 Paek
- D603,394 S 11/2009 Lee

(Continued)

OTHER PUBLICATIONS

U.S. Appl. No. 29/313,601, Applicant: Seung-Hyun Paek, filed Jan. 26, 2009 entitled Notebook Computer.

(Continued)

Primary Examiner — Freda S Nunn

(74) *Attorney, Agent, or Firm* — Flynn, Thiel, Boutell & Tanis, P.C.

(56) **References Cited**

U.S. PATENT DOCUMENTS

- D332,944 S 2/1993 Kim
- D334,738 S 4/1993 Kim
- D335,870 S 5/1993 Yun
- D336,465 S 6/1993 Kim
- D338,457 S 8/1993 Kim
- D348,442 S 7/1994 Yoon
- 6,067,224 A * 5/2000 Nobuchi 361/679.27
- 6,519,139 B2 * 2/2003 Kambayashi 361/679.09
- D492,678 S 7/2004 Kim et al.
- D523,010 S 6/2006 Paek et al.
- D523,431 S 6/2006 Yoon
- D523,851 S 6/2006 Jeong et al.
- D523,852 S 6/2006 Kim et al.
- D524,306 S 7/2006 Yun et al.
- D524,307 S 7/2006 Kim et al.
- D535,652 S 1/2007 Lee et al.
- D547,309 S 7/2007 Yoon

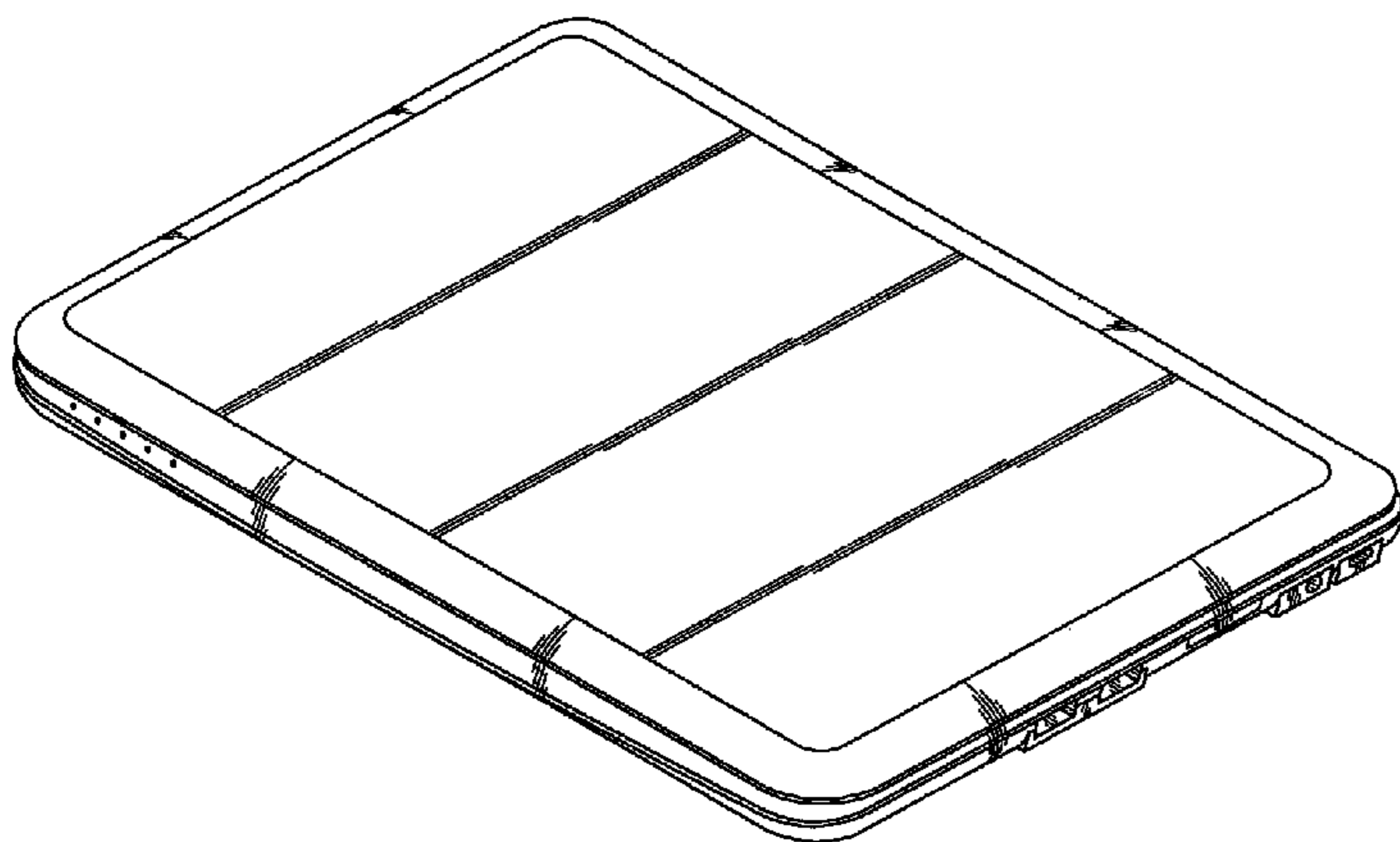
(57) **CLAIM**

The ornamental design for a notebook computer, as shown and described.

DESCRIPTION

FIG. 1 is a top front perspective view of a notebook computer showing our new design;
FIG. 2 is a front elevational view thereof;
FIG. 3 is a rear elevational view thereof;
FIG. 4 is a left side elevational view thereof;
FIG. 5 is a right side elevational view thereof;
FIG. 6 is a top plan view thereof; and,
FIG. 7 is a bottom plan view thereof.

1 Claim, 3 Drawing Sheets



U.S. PATENT DOCUMENTS

D603,395	S	11/2009	Hong et al.	
D603,861	S	11/2009	Hong et al.	
D606,067	S	12/2009	Yoon	
D606,068	S	12/2009	Hong et al.	
D606,069	S	12/2009	Heck et al.	
D606,070	S	12/2009	Heck et al.	
D606,534	S	12/2009	Hong et al.	
D608,777	S	1/2010	Yoon	
D611,468	S	3/2010	Yun et al.	
D614,614	S	4/2010	Yoon	
D614,615	S	4/2010	Yoon	
D622,268	S	8/2010	Hong et al.	
2005/0018396	A1*	1/2005	Nakajima et al.	361/683
2005/0041378	A1*	2/2005	Hamada et al.	361/680

OTHER PUBLICATIONS

U.S. Appl. No. 29/349,005, Applicant: Atsushi Kawase et al., filed Mar. 1, 2010 entitled Note Book.
U.S. Appl. No. 29/349,008, Applicant: Se-O Lee et al., filed Mar. 2, 2010 entitled Net Book.
U.S. Appl. No. 29/349,009, Applicant: Sang-Won Yoon et al., filed Mar. 2, 2010 entitled Net Book.
U.S. Appl. No. 29/349,010, Applicant: Seung-Hyun Paek et al., filed Mar. 2, 2010 entitled Net Book.
U.S. Appl. No. 29/349,011, Applicant: Se-O Lee et al., filed Mar. 2, 2010, entitled Net Book.
U.S. Appl. No. 29/349,022, Applicant: Sang-Won Yoon, et al., filed Mar. 2, 2010 entitled Net Book.

U.S. Appl. No. 29/349,023, Applicant: Sang-Won Yoon, filed Mar. 2, 2010 entitled Net Book.
U.S. Appl. No. 29/349,024, Applicant: Seung-Hyun Paek, filed Mar. 2, 2010 entitled Net Book.
U.S. Appl. No. 29/349,025, Applicant: Sang-Won Yoon, filed Mar. 2, 2010 entitled Net Book.
U.S. Appl. No. 29/349,395, Applicant: Anders P. Jensen et al., filed Mar. 31, 2010 entitled Note Book.
U.S. Appl. No. 29/349,397, Applicant: Atsushi Kawase, filed Mar. 31, 2010 entitled Net Book.
U.S. Appl. No. 29/349,401, Applicant: Anders P. Jensen et al., filed Mar. 31, 2010 entitled Note Book.
U.S. Appl. No. 29/349,402, Applicant: Atsushi Kawase, filed Mar. 31, 2010 entitled Note Book.
U.S. Appl. No. 29/349,403, Applicant: Atsushi Kawase, filed Mar. 31, 2010 entitled Net Book.
U.S. Appl. No. 29/349,404, Applicant: Atsushi Kawase, filed Mar. 31, 2010 entitled Net Book.
U.S. Appl. No. 29/370,220, Applicant: Dae-Joung Kim et al., filed Jun. 17, 2010 entitled Net Book.
U.S. Appl. No. 29/370,221, Applicant: Dae-Joung Kim et al., filed Jun. 17, 2010 entitled Net Book.
U.S. Appl. No. 29/370,232, Applicant: Dae-Joung Kim et al., filed Jun. 17, 2010 entitled Net Book.
U.S. Appl. No. 29/370,230, Applicant: Dae-Joung Kim, et al., filed Jun. 17, 2010 entitled Net Book.
U.S. Appl. No. 29/370,568, Applicant: Felix Heck, et al., filed Aug. 5, 2010 entitled Netbook Computer.

* cited by examiner

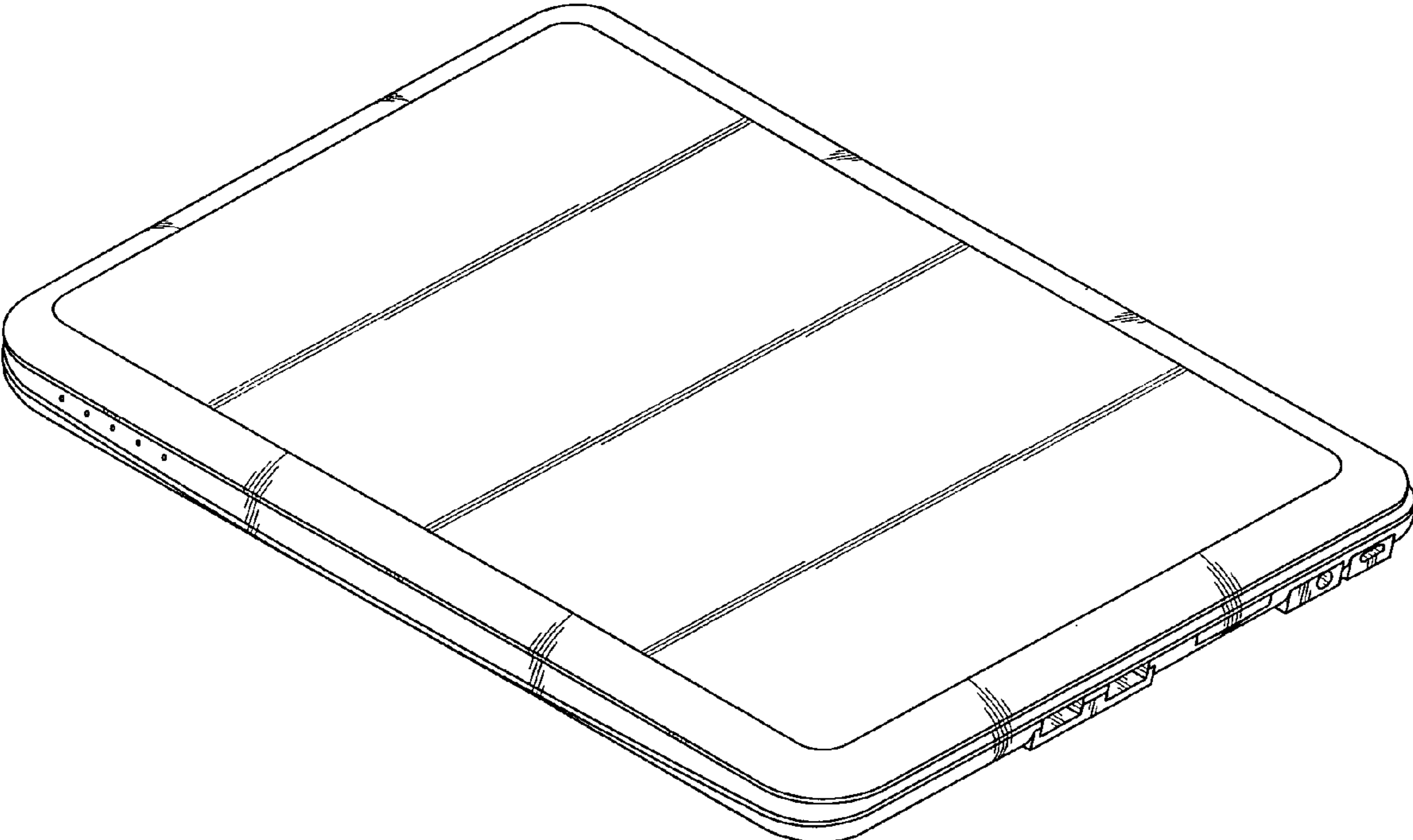


FIG. 1

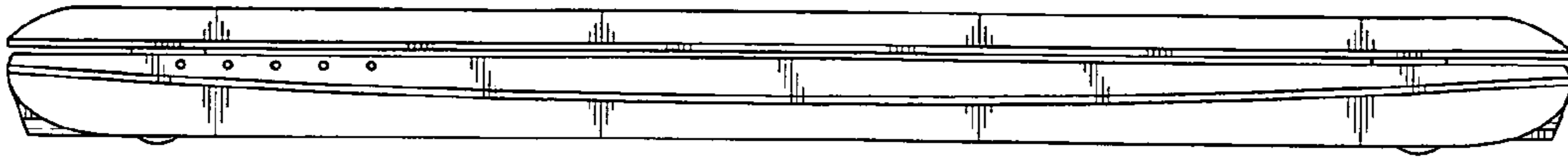


FIG. 2

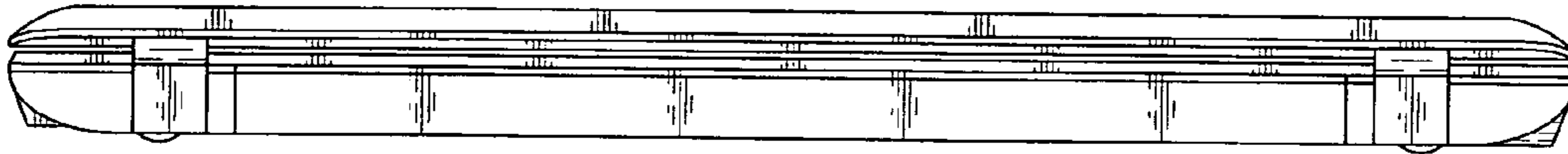


FIG. 3

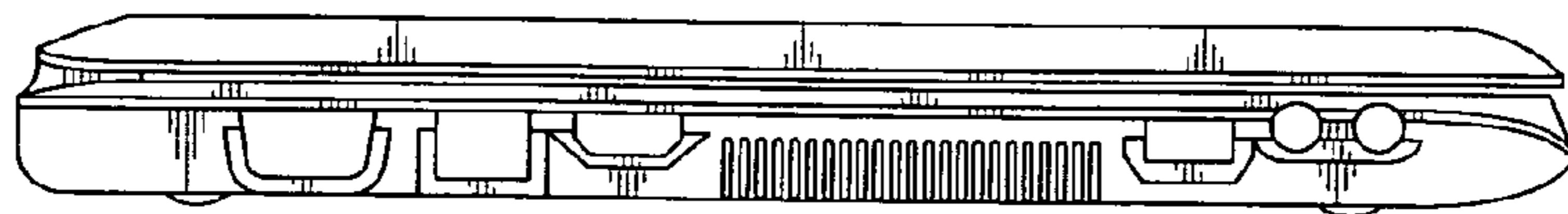


FIG. 4

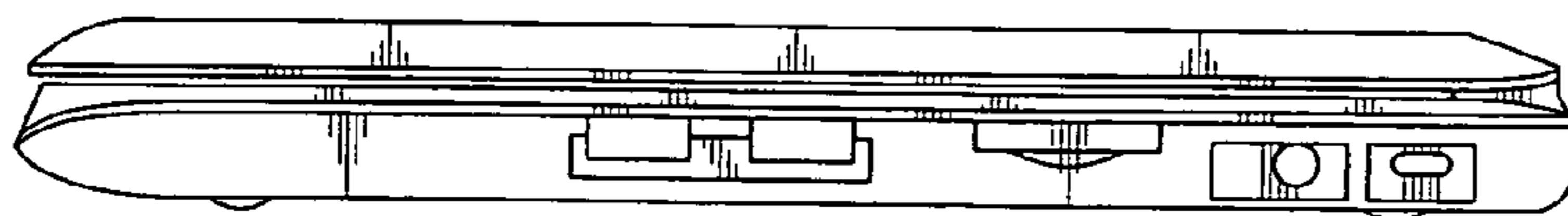


FIG. 5

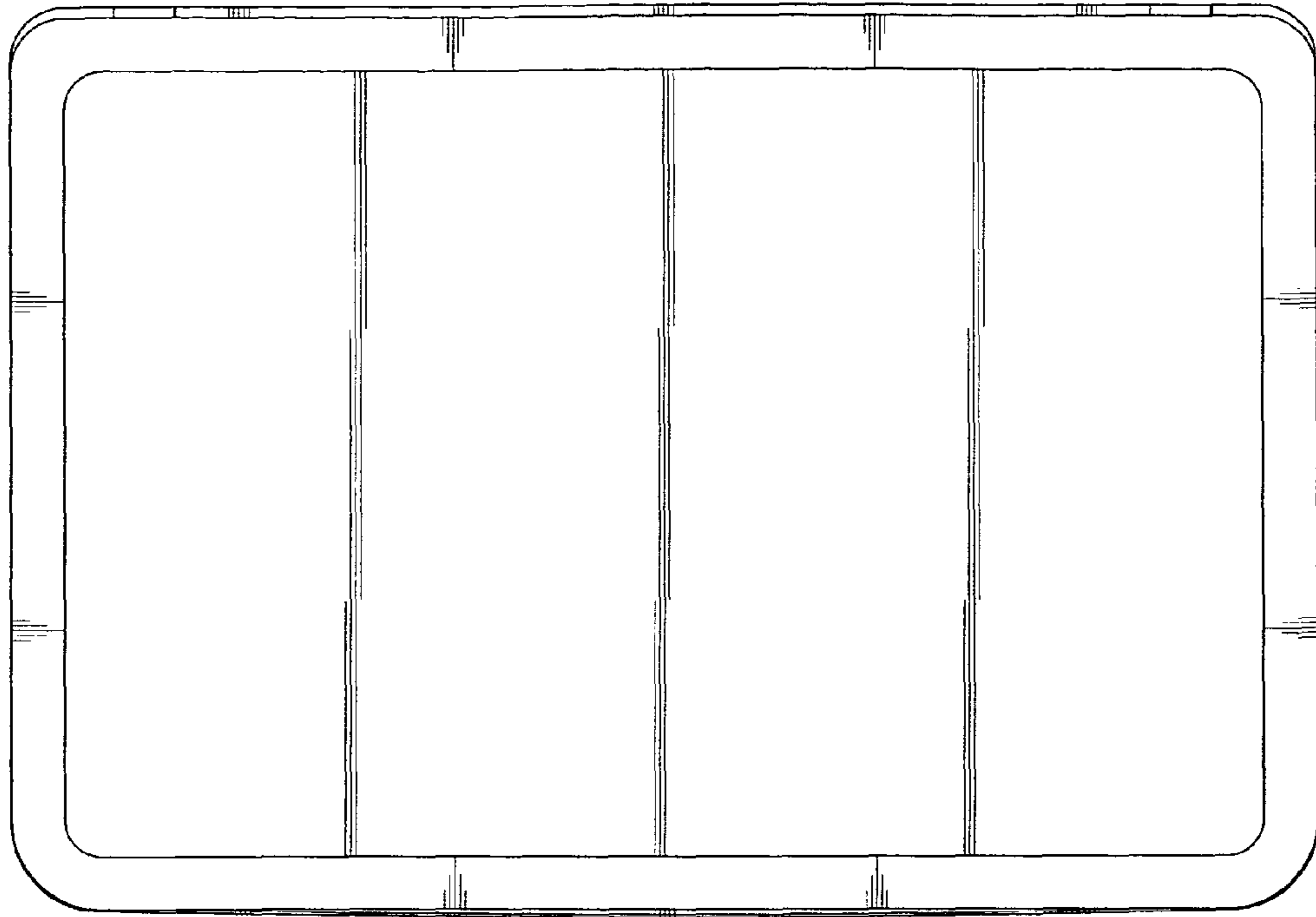


FIG. 6

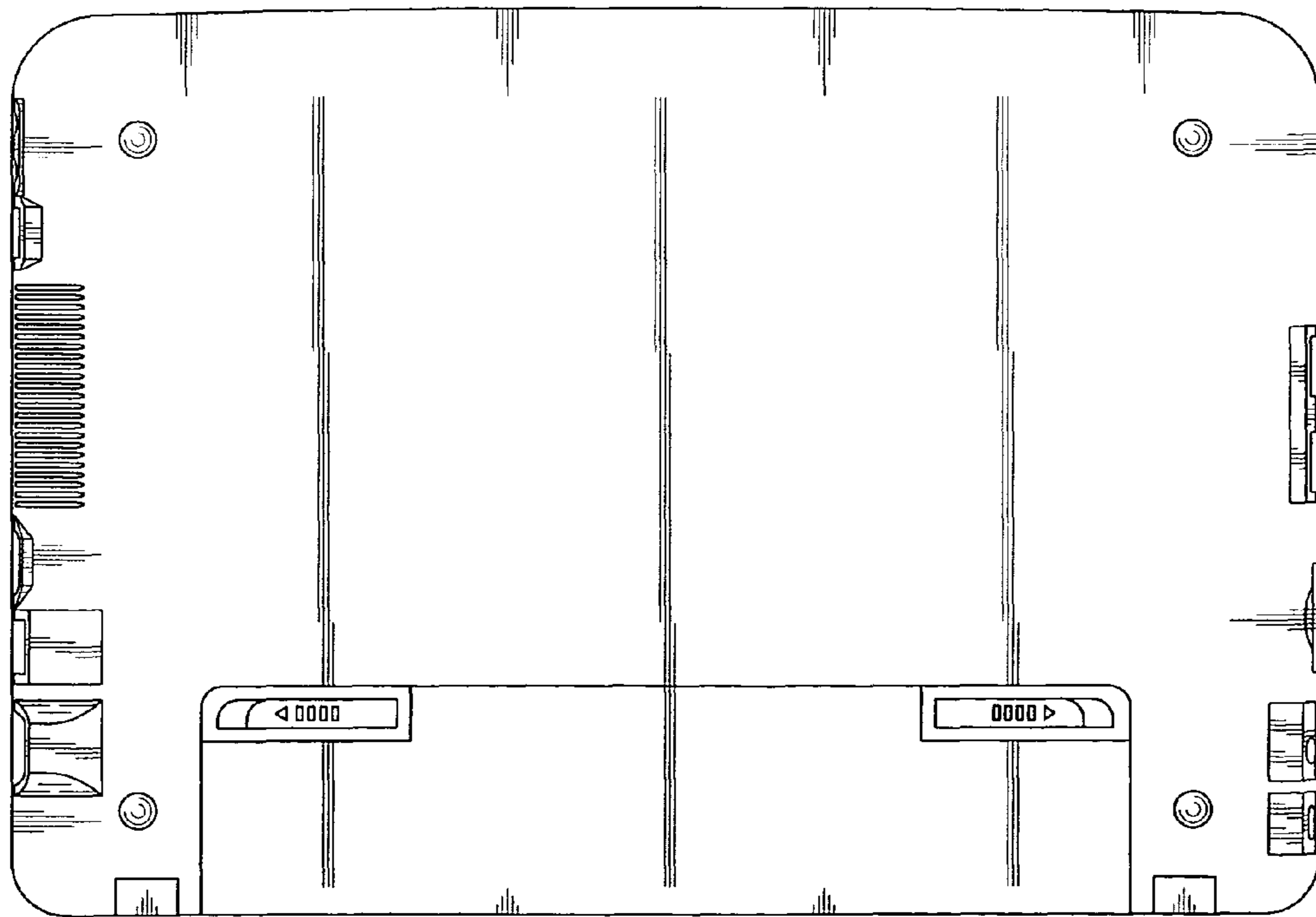


FIG. 7