



US00D643030S

(12) **United States Design Patent**
Cheng et al.

(10) **Patent No.:** **US D643,030 S**

(45) **Date of Patent:** **** Aug. 9, 2011**

(54) **SUPPORTING DEVICE**

(75) Inventors: **Quan-Chang Cheng**, Shenzhen (CN);
Chia-Te Yu, Taipei Hsien (TW); **Lin-Lin Pan**,
Shenzhen (CN); **Cong-Bing Zhou**, Shenzhen (CN)

(73) Assignee: **Hon Hai Precision Industry Co., Ltd.**,
Tu-Cheng, New Taipei (TW)

(**) Term: **14 Years**

(21) Appl. No.: **29/382,182**

(22) Filed: **Dec. 30, 2010**

(51) **LOC (9) Cl.** **14-03**

(52) **U.S. Cl.** **D14/253**

(58) **Field of Classification Search** D14/140,
D14/217, 224, 224.1, 229, 240, 243, 250-253,
D14/299, 344, 434, 447, 451-452, 483, 496;
D13/108; 361/679.41; 439/534; 320/115,
320/116, 107; D8/355, 363; D12/415, 418;
379/449, 455, 165; 248/122.1, 127, 157,
248/205.8, 206.2, 279.1, 205.5, 309.1, 309.3,
248/352; D3/201, 218, 269, 273, 301; D11/79;
63/26

See application file for complete search history.

(56) **References Cited**

U.S. PATENT DOCUMENTS

5,347,208	A	*	9/1994	Iida	320/113
D390,848	S	*	2/1998	Santee et al.	D14/240
D412,162	S	*	7/1999	Tal et al.	D14/447
D413,110	S	*	8/1999	Sweere et al.	D14/447
D427,587	S	*	7/2000	Jacobsen et al.	D14/240
D432,528	S	*	10/2000	Hartman et al.	D14/243
D438,861	S	*	3/2001	Jing	D14/229
D450,707	S	*	11/2001	Francavilla et al.	D14/434
D453,155	S	*	1/2002	Michel	D14/253

D468,685	S	*	1/2003	Jacobs et al.	D13/107
D494,182	S	*	8/2004	Singer et al.	D14/451
D494,962	S	*	8/2004	Shen	D14/253
D506,863	S	*	7/2005	Lee et al.	D3/201
D507,526	S	*	7/2005	Ohta	D13/108
D532,000	S	*	11/2006	Merrow et al.	D14/240
D535,987	S	*	1/2007	Kettula et al.	D14/253
D540,315	S	*	4/2007	Merrow et al.	D14/240
D542,287	S	*	5/2007	Chung et al.	D14/252
D586,348	S	*	2/2009	Leung et al.	D14/434
D600,680	S	*	9/2009	Mead et al.	D14/217

OTHER PUBLICATIONS

Bury System 9 activeCradle, <URL:http://www.yourwirelessource.com/buy/accessories/cat/1128/accessory/1004597>, retrieved from internet May 3, 2011.*

* cited by examiner

Primary Examiner — Robert M. Spear

Assistant Examiner — Carla Jobe Wright

(74) *Attorney, Agent, or Firm* — Frank R. Niranjana

(57) **CLAIM**

The ornamental design for a supporting device, as shown and described.

DESCRIPTION

FIG. 1 is a perspective view of a supporting device showing our design;

FIG. 2 is a front elevational view thereof;

FIG. 3 is a rear elevational view thereof;

FIG. 4 is a left side, elevational view thereof;

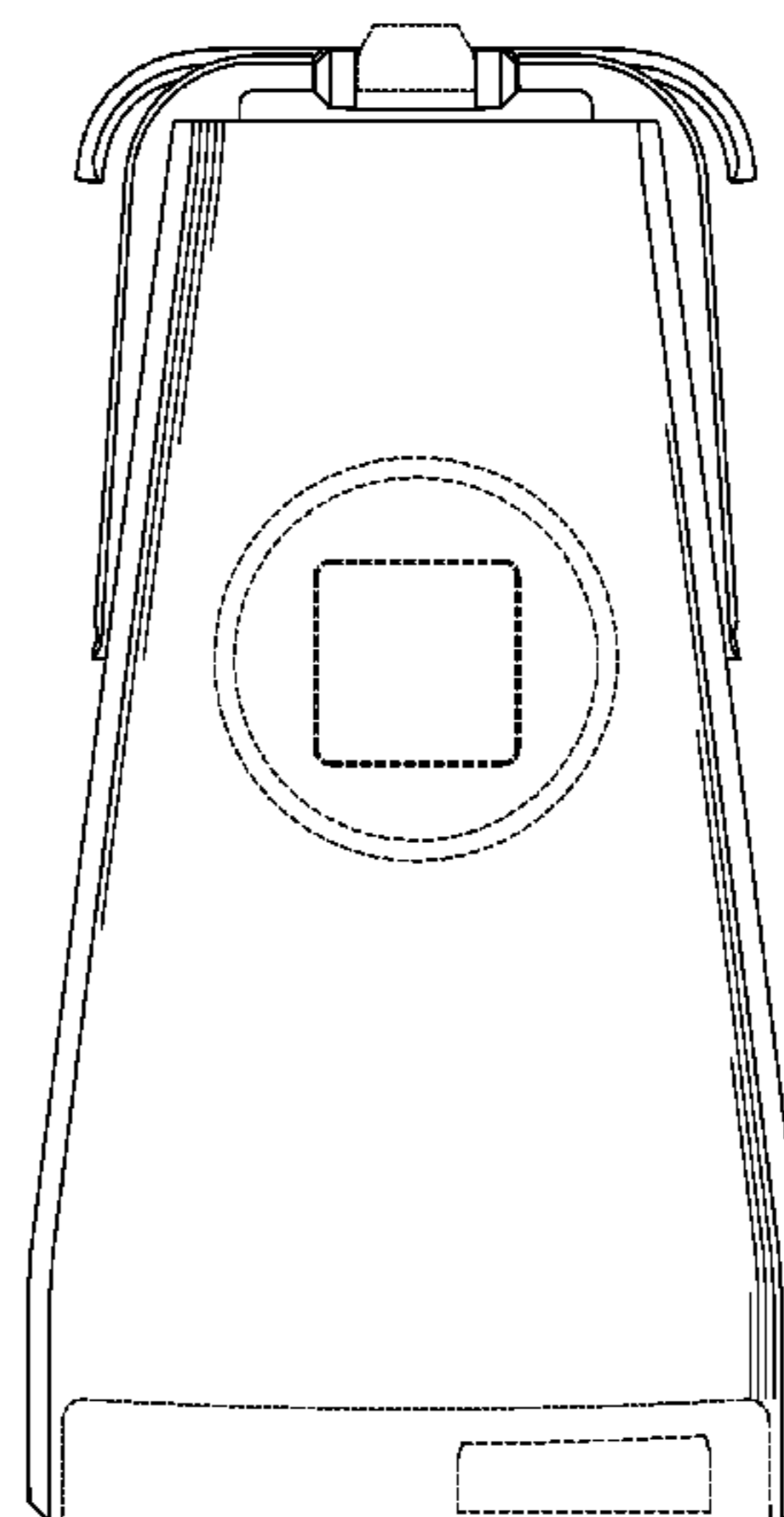
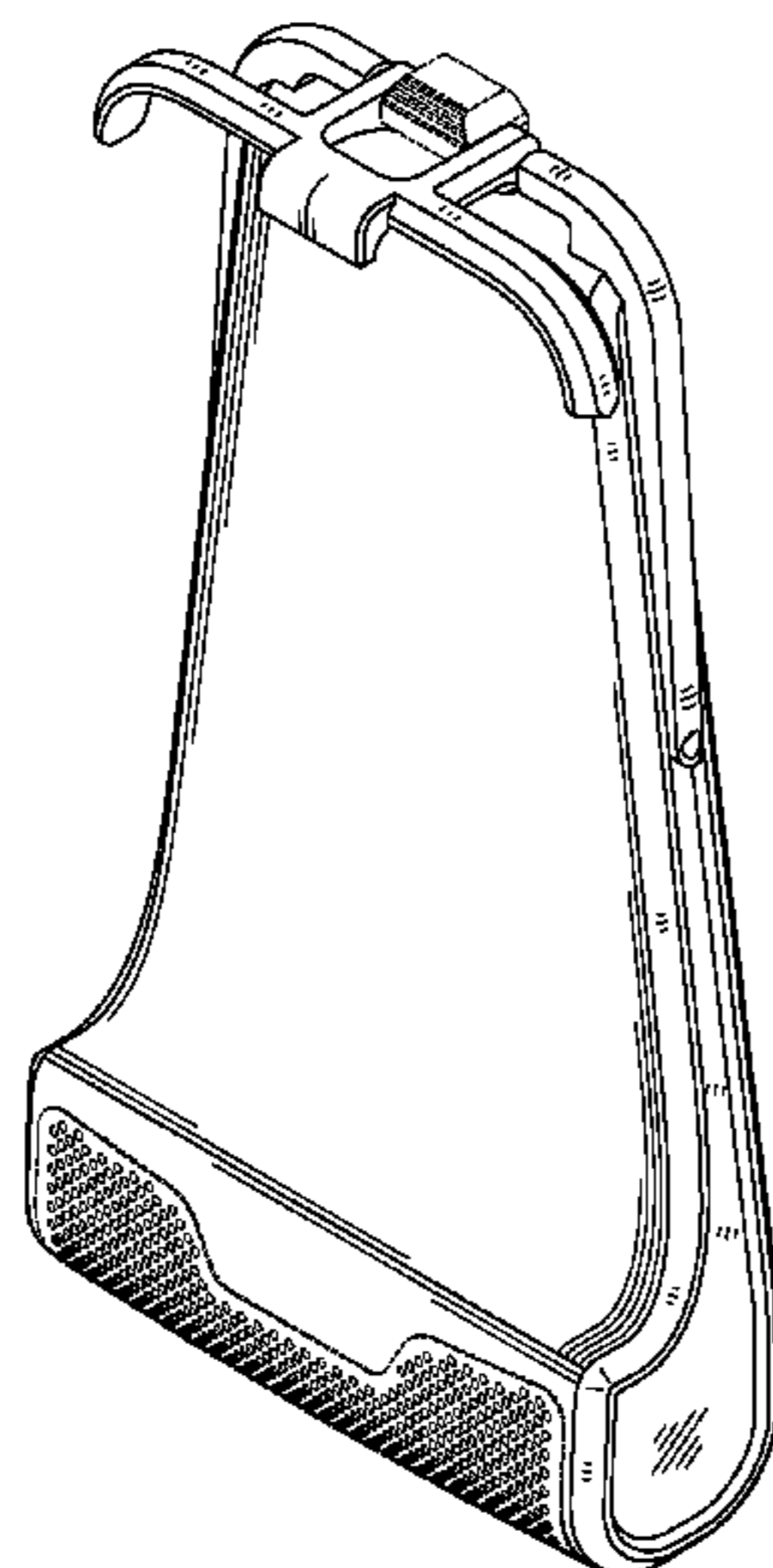
FIG. 5 is a right side, elevational view thereof;

FIG. 6 is a top plan view thereof; and,

FIG. 7 is a bottom plan view thereof.

The broken lines of all the figures are for the purpose of illustrating environmental structures and form no part of the claimed design.

1 Claim, 7 Drawing Sheets



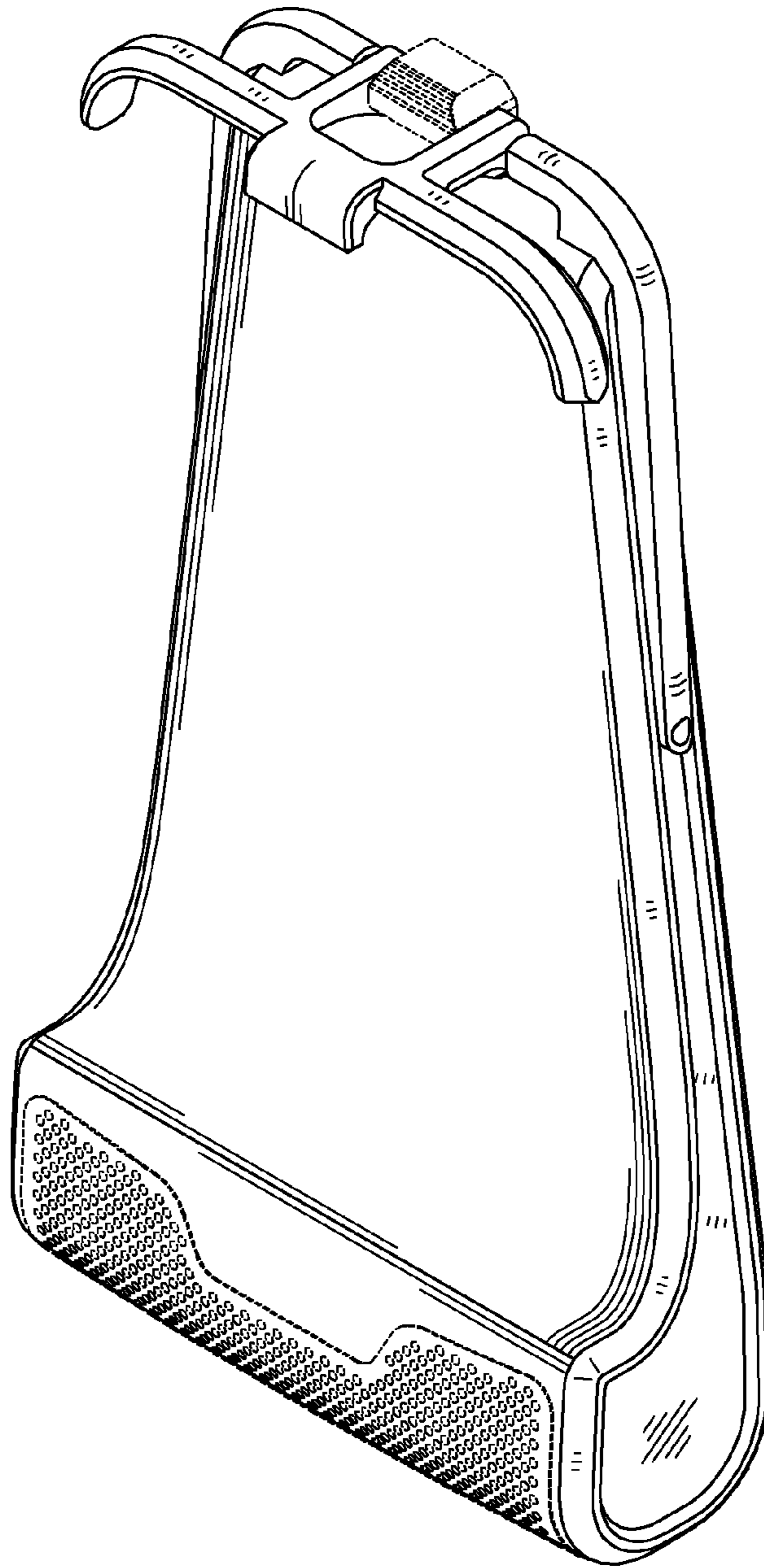


FIG. 1

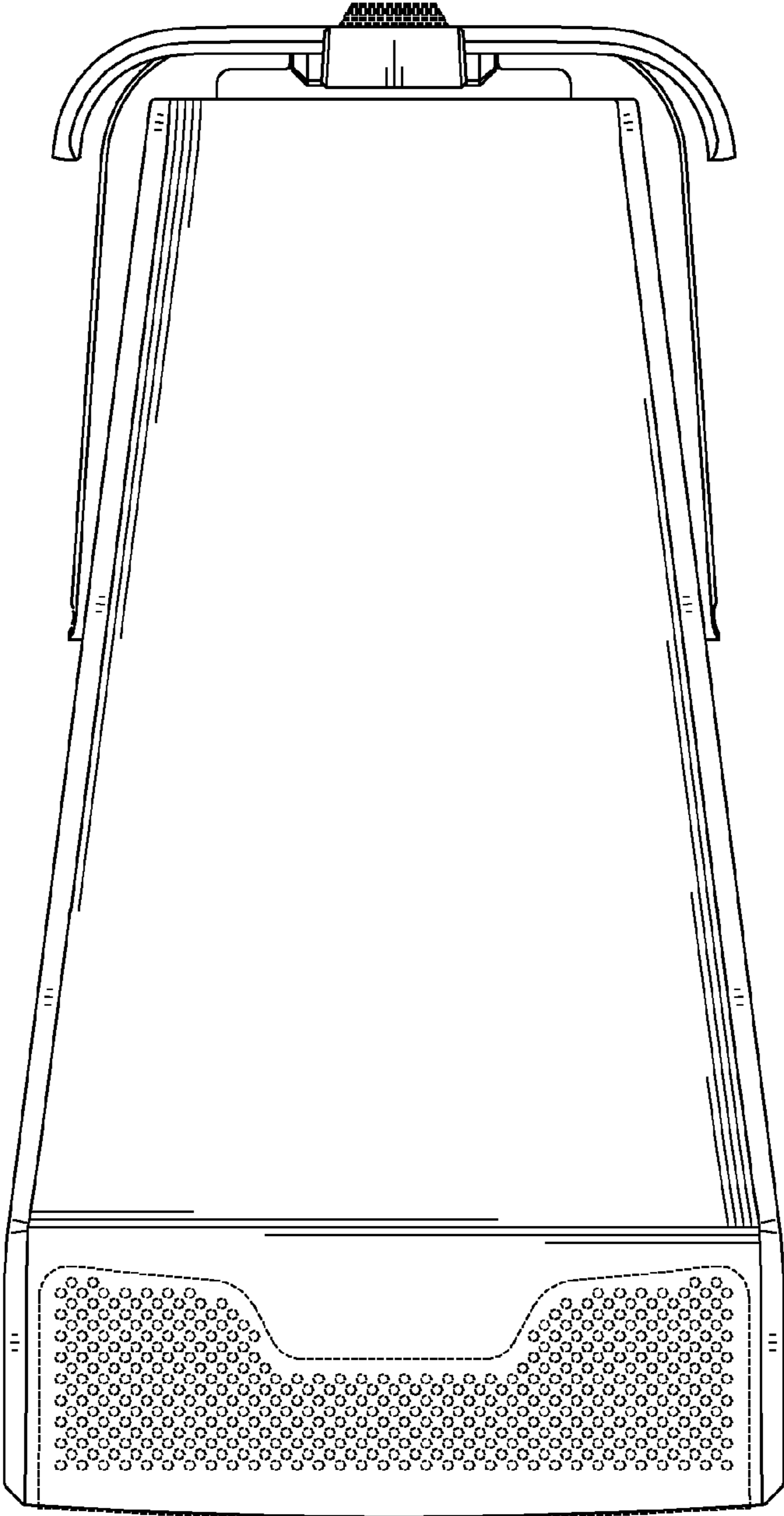


FIG. 2

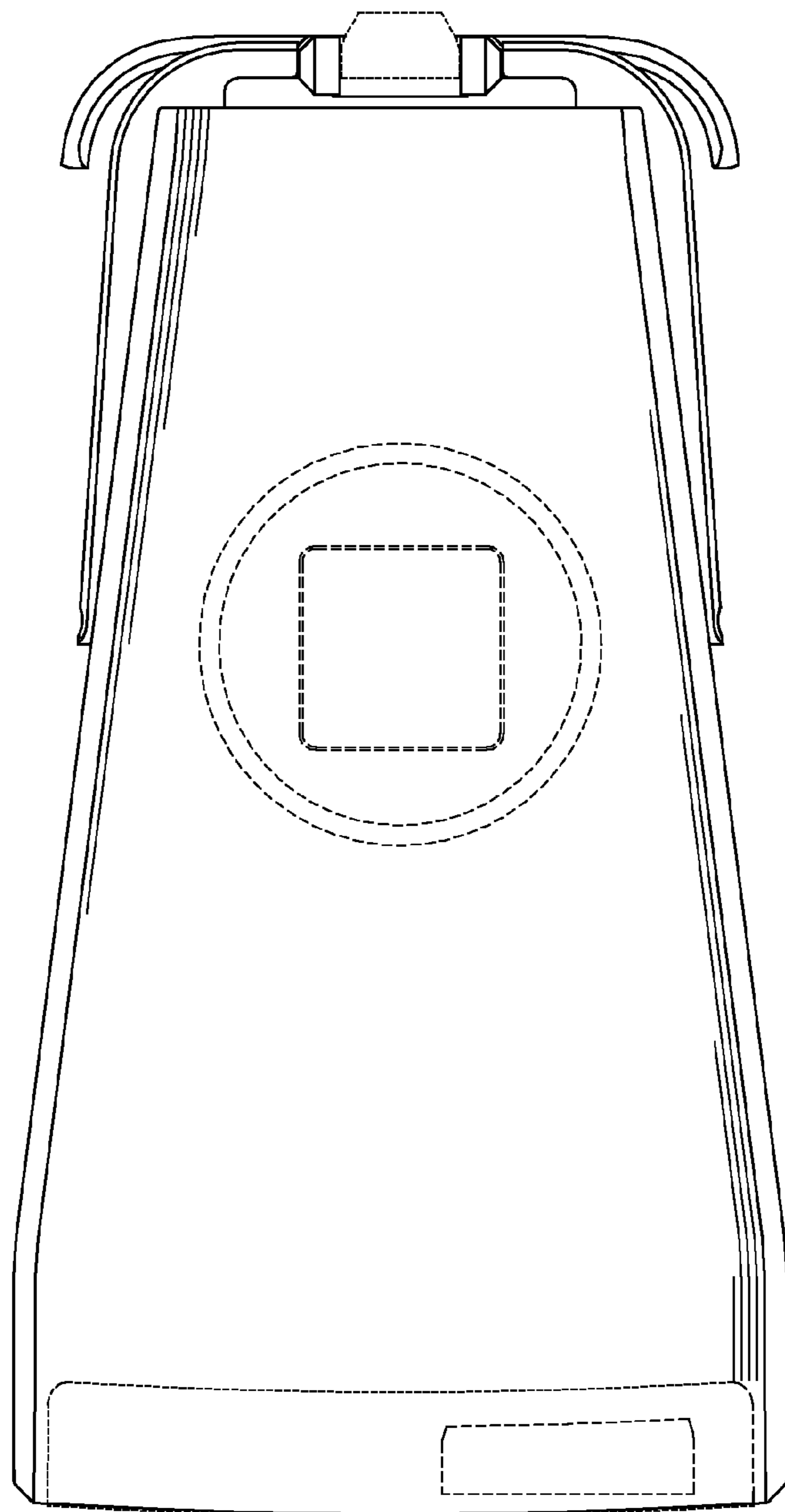


FIG. 3

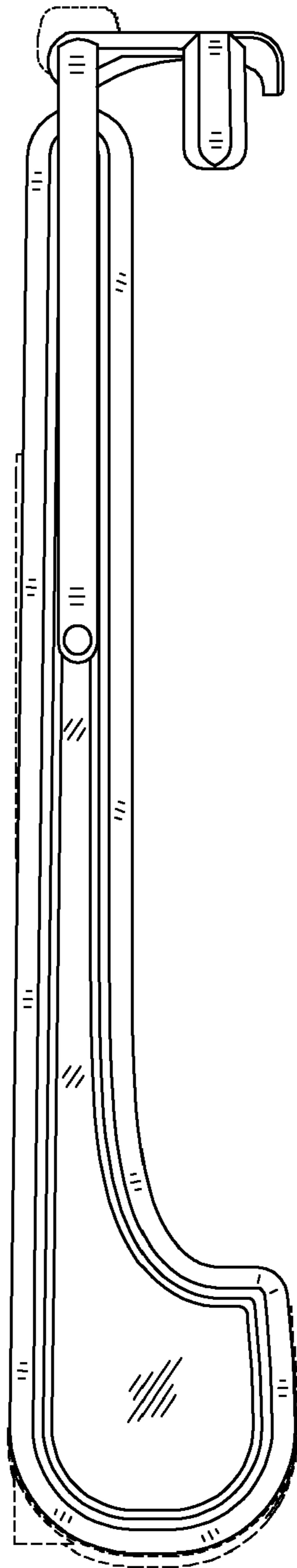


FIG. 4

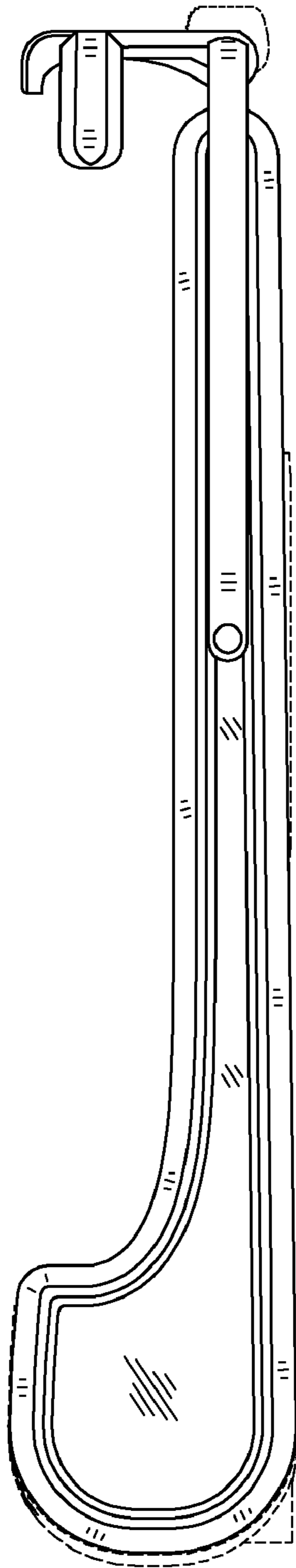


FIG. 5

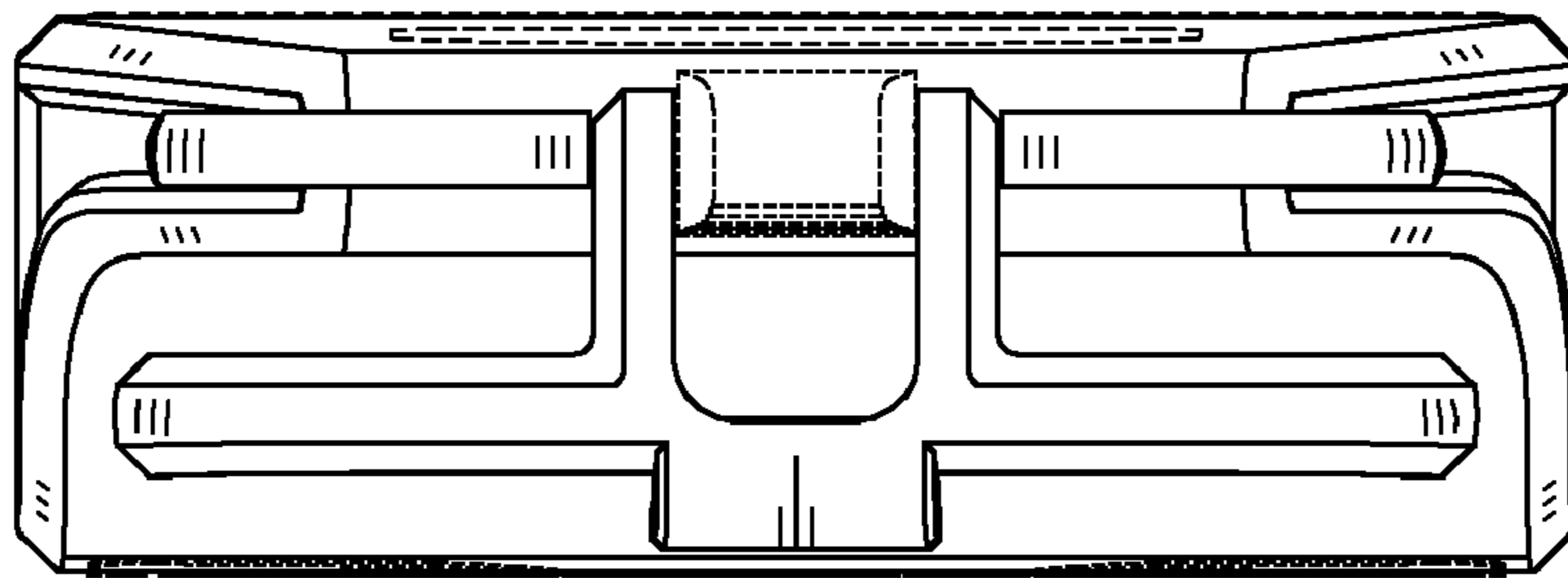


FIG. 6

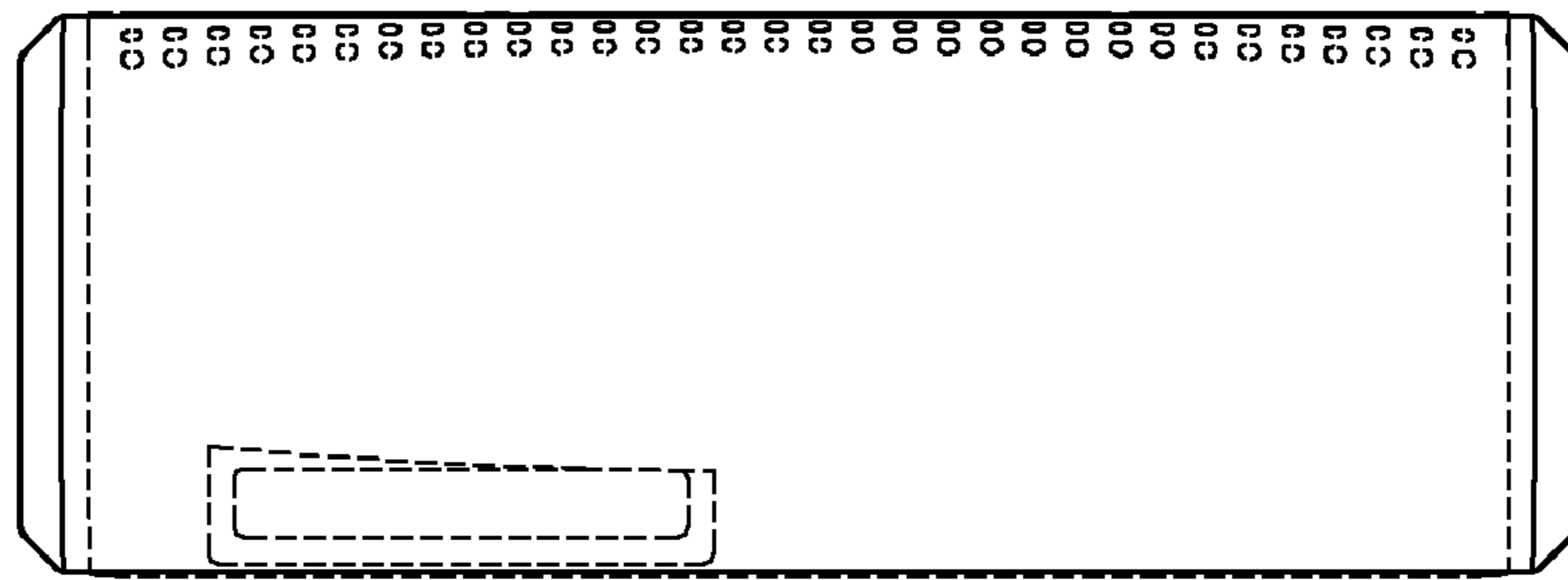


FIG. 7