



US00D643027S

(12) **United States Design Patent**
Calco

(10) **Patent No.:** **US D643,027 S**

(45) **Date of Patent:** **** Aug. 9, 2011**

(54) **TELEVISION STAND**

(56) **References Cited**

(75) Inventor: **Wayne Calco**, Laguna Hills, CA (US)

U.S. PATENT DOCUMENTS

(73) Assignee: **Atlantic Representations, Inc.**, Santa Fe Springs, CA (US)

3,062,494	A	*	11/1962	French	248/158
3,981,491	A	*	9/1976	Snyder	269/64
4,770,380	A	*	9/1988	Eason et al.	248/165
D358,048	S	*	5/1995	Schoenig et al.	D6/466
D474,047	S	*	5/2003	Lara	D6/479
D539,565	S	*	4/2007	Sexton, III	D6/474
D549,232	S	*	8/2007	Li et al.	D14/447
7,261,261	B2	*	8/2007	Ligertwood	248/129
D591,089	S	*	4/2009	Sexton	D6/479
D593,776	S	*	6/2009	Sexton	D6/478
D615,072	S	*	5/2010	Saitou	D14/239

(**) Term: **14 Years**

* cited by examiner

(21) Appl. No.: **29/385,675**

(22) Filed: **Feb. 17, 2011**

Primary Examiner — Raphael Barkai

(51) **LOC (9) Cl.** **14-03**

Assistant Examiner — Randall Gholson

(52) **U.S. Cl.** **D14/239**

(74) *Attorney, Agent, or Firm* — Cislo & Thomas, LLP

(58) **Field of Classification Search** D14/125–134,
D14/239, 371, 136, 374–377; D8/363, 373,
D8/349, 394; 248/465, 917–924, 123.11;
348/825, 827, 836, 837, 838, 180, 184, 325,
348/739; 600/443; D6/477–479, 407, 474,
D6/460, 461, 468, 396, 397, 418, 449, 466;
312/7.2; 341/12; 345/87, 104, 133, 156,
345/168, 169, 173; 720/605, 669, 600, 655;
369/99, 197; 455/344–347; 349/1, 2, 11,
349/62; 108/59, 96, 28, 91–93, 144.11, 147.11,
108/147.17, 150; 211/40, 41.12, 42, 49.1,
211/50, 85.2, 90.04, 187, 190, 119.003, 134.153,
211/87.01, 71.01

(57) **CLAIM**

The ornamental design for a television stand, as shown and described.

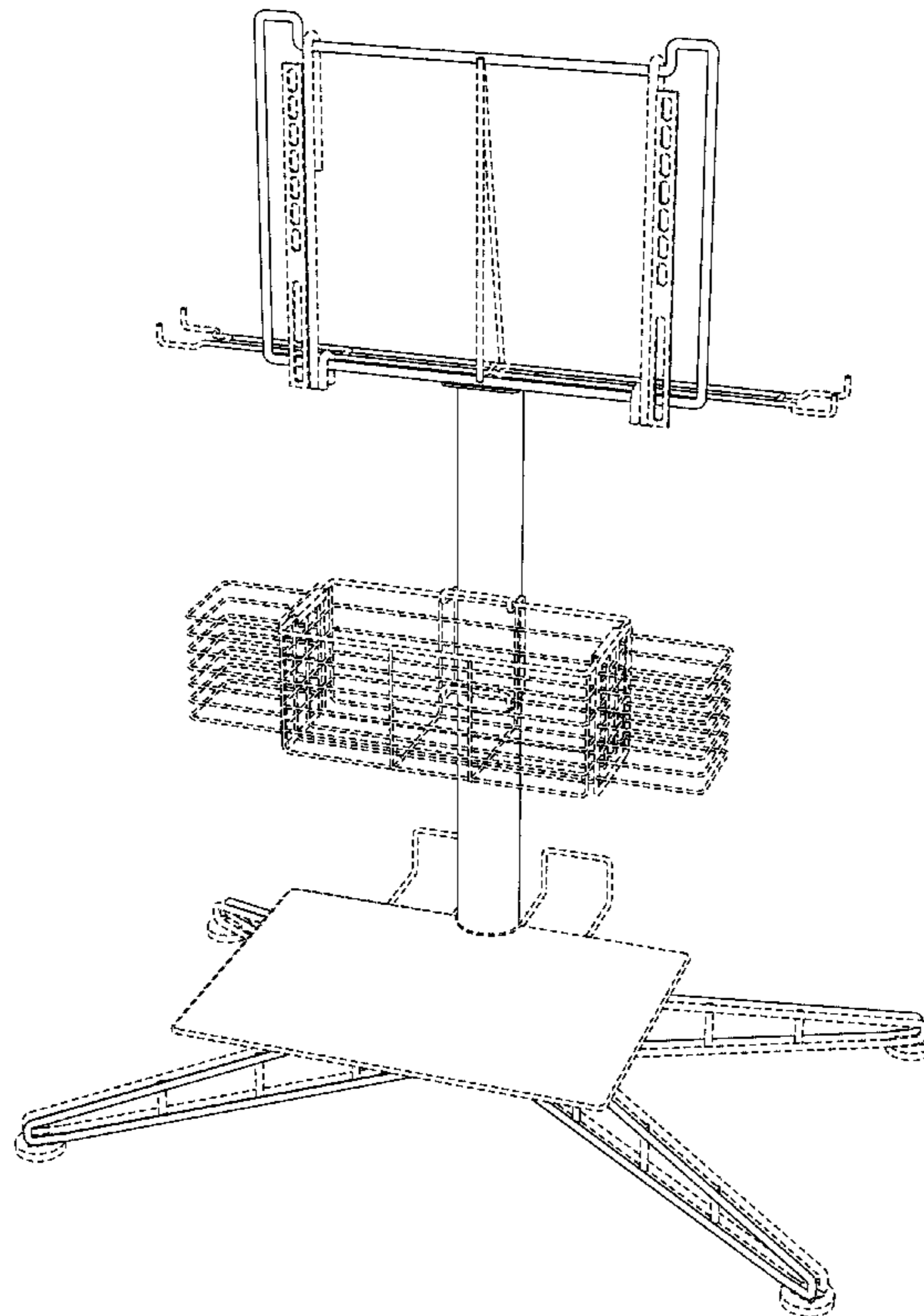
DESCRIPTION

FIG. 1 is a perspective view of my television stand;
FIG. 2 is a front view thereof;
FIG. 3 is a rear view thereof;
FIG. 4 is a right side view thereof;
FIG. 5 is a left side view thereof;
FIG. 6 is a top view thereof; and,
FIG. 7 is a bottom view thereof.

The broken line portions of the disclosure are included for the purpose of illustrating environment and form no part of the claimed design.

See application file for complete search history.

1 Claim, 6 Drawing Sheets



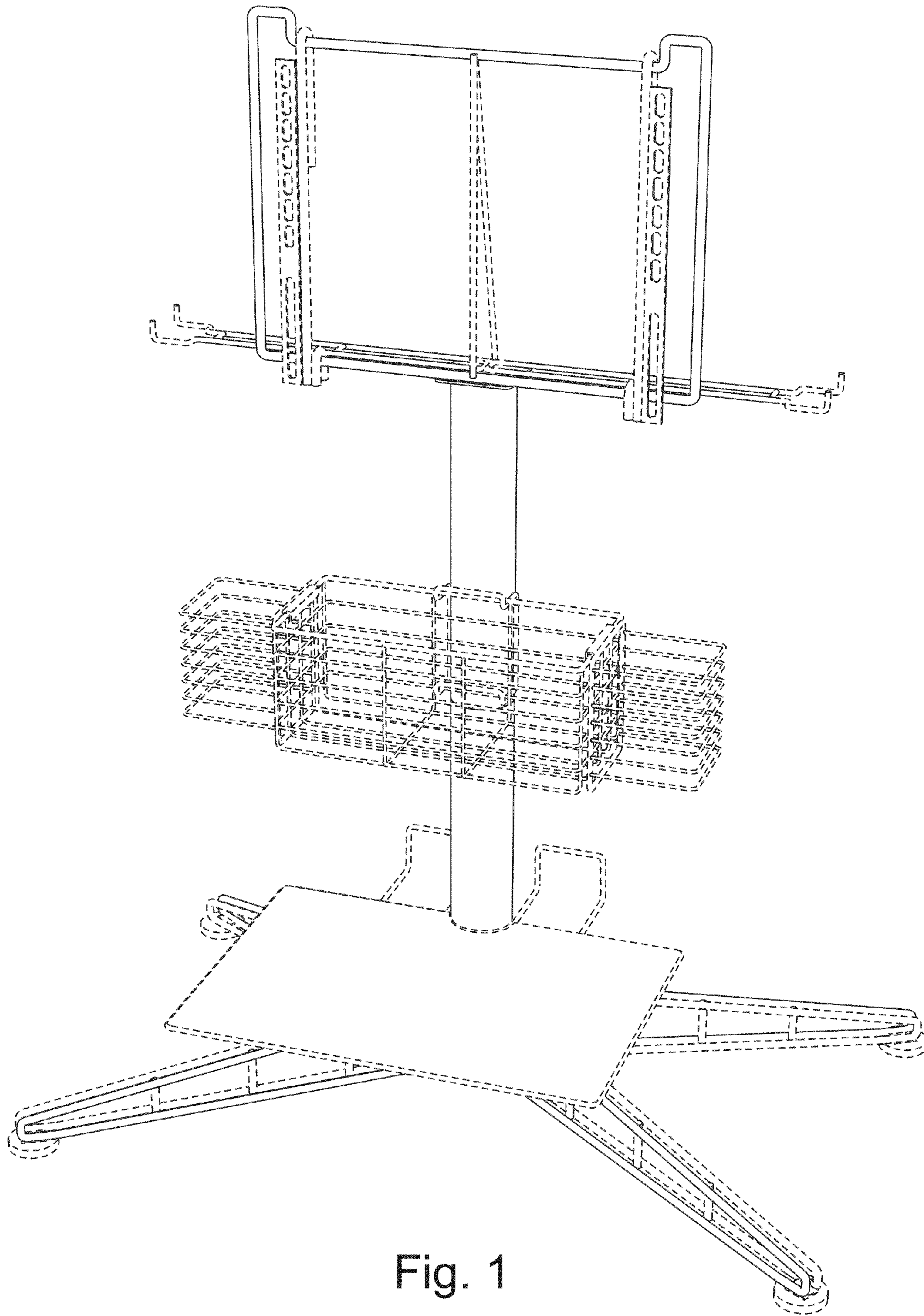


Fig. 1

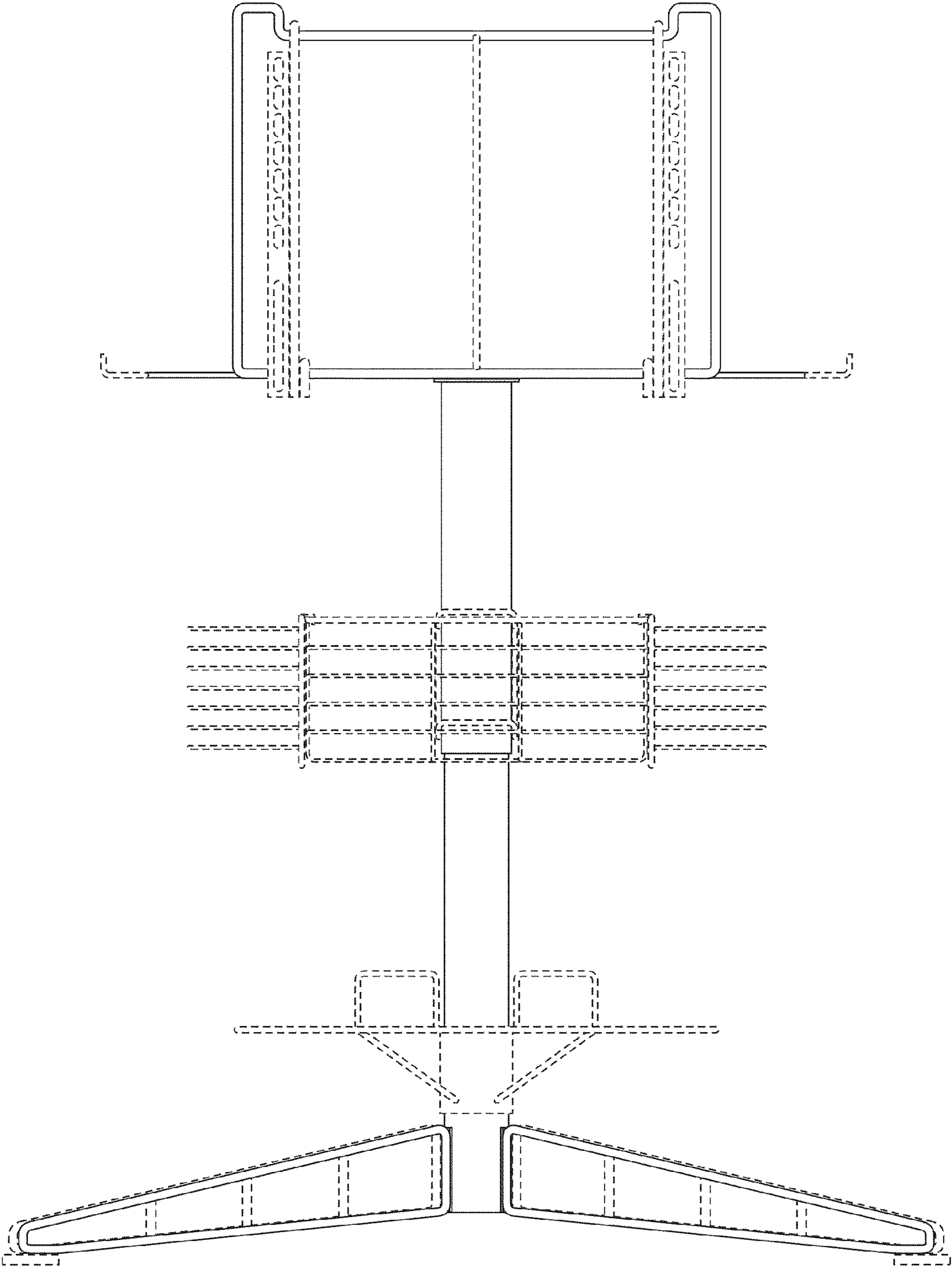


Fig. 2

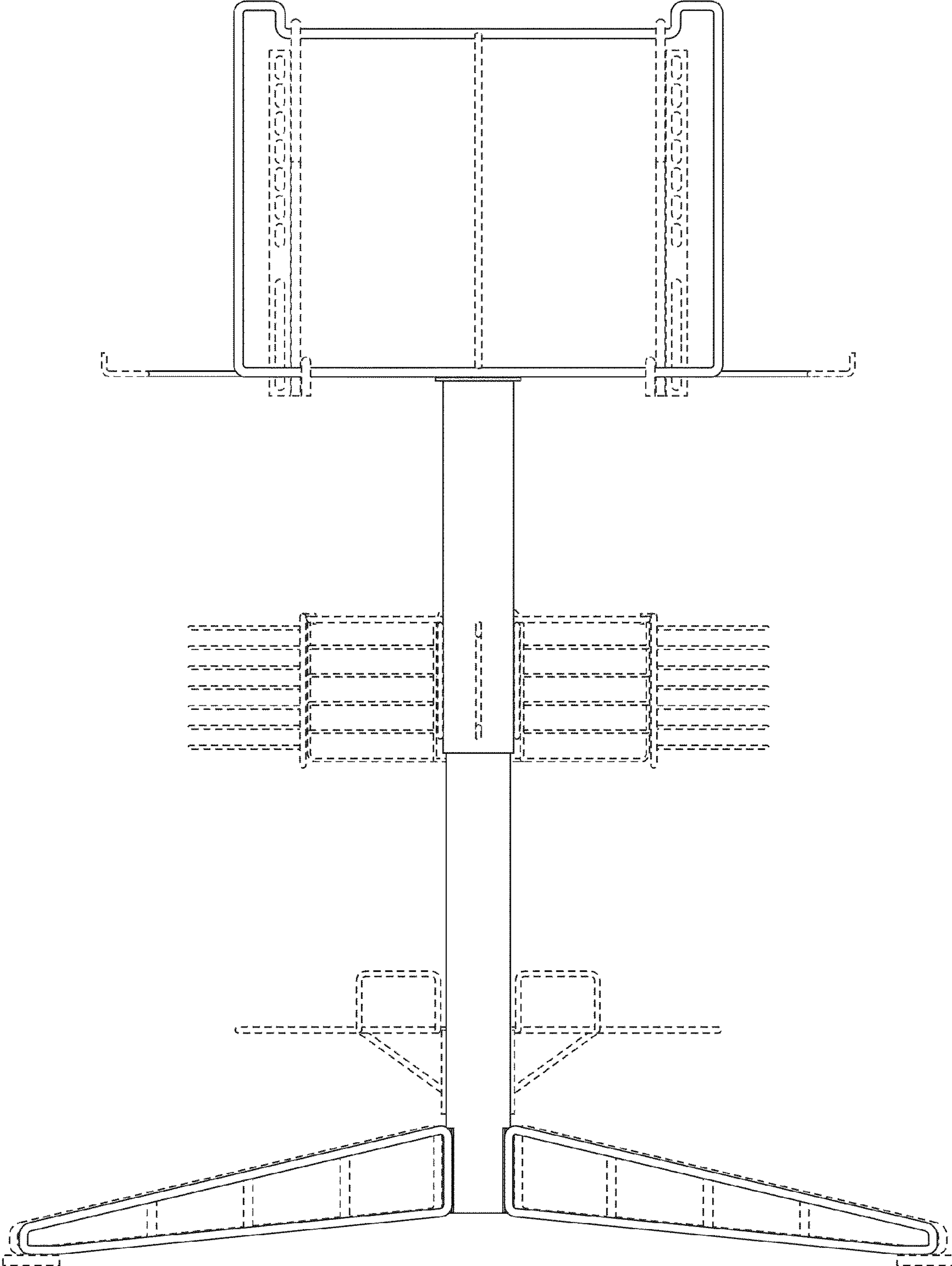


Fig. 3

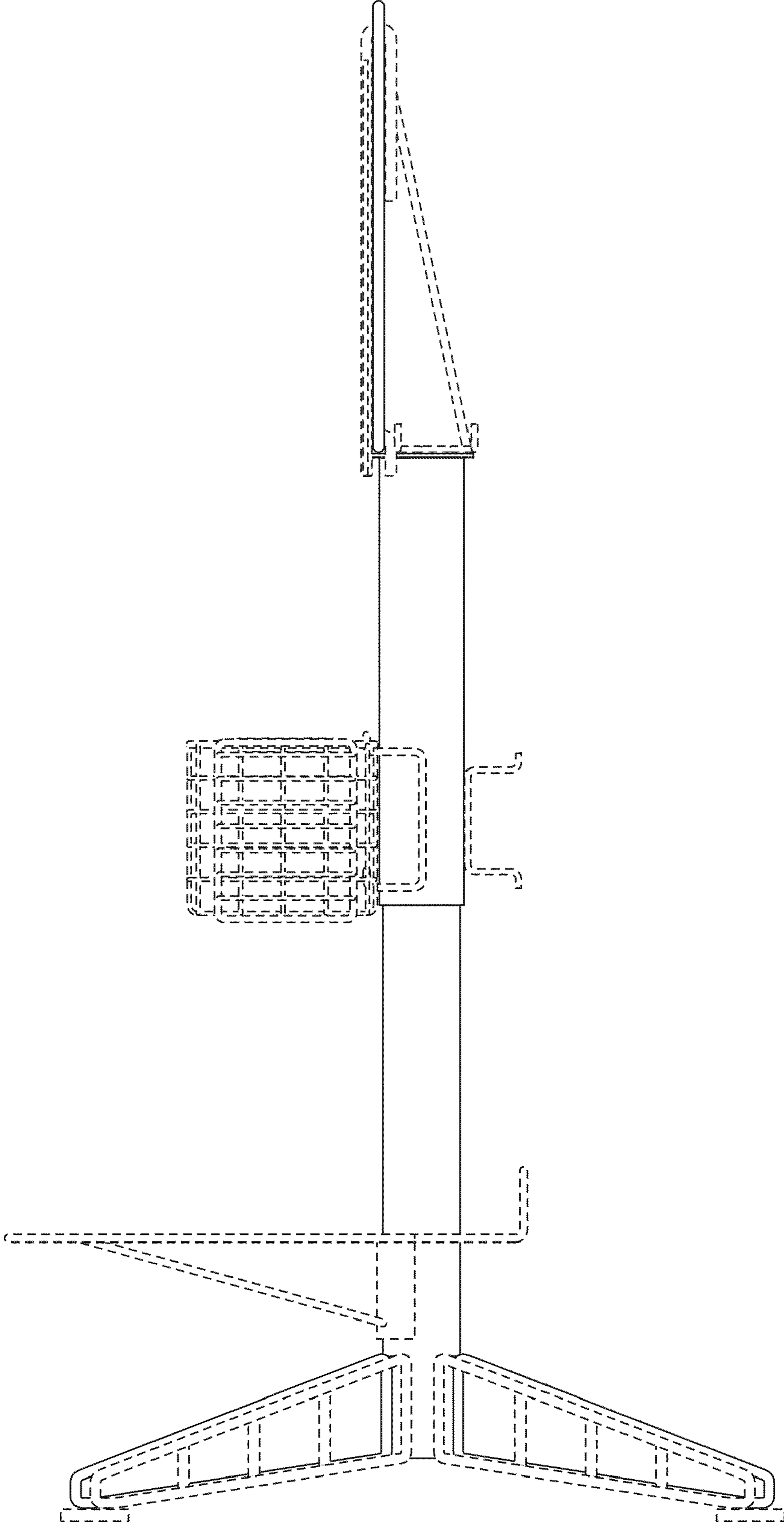


Fig. 4

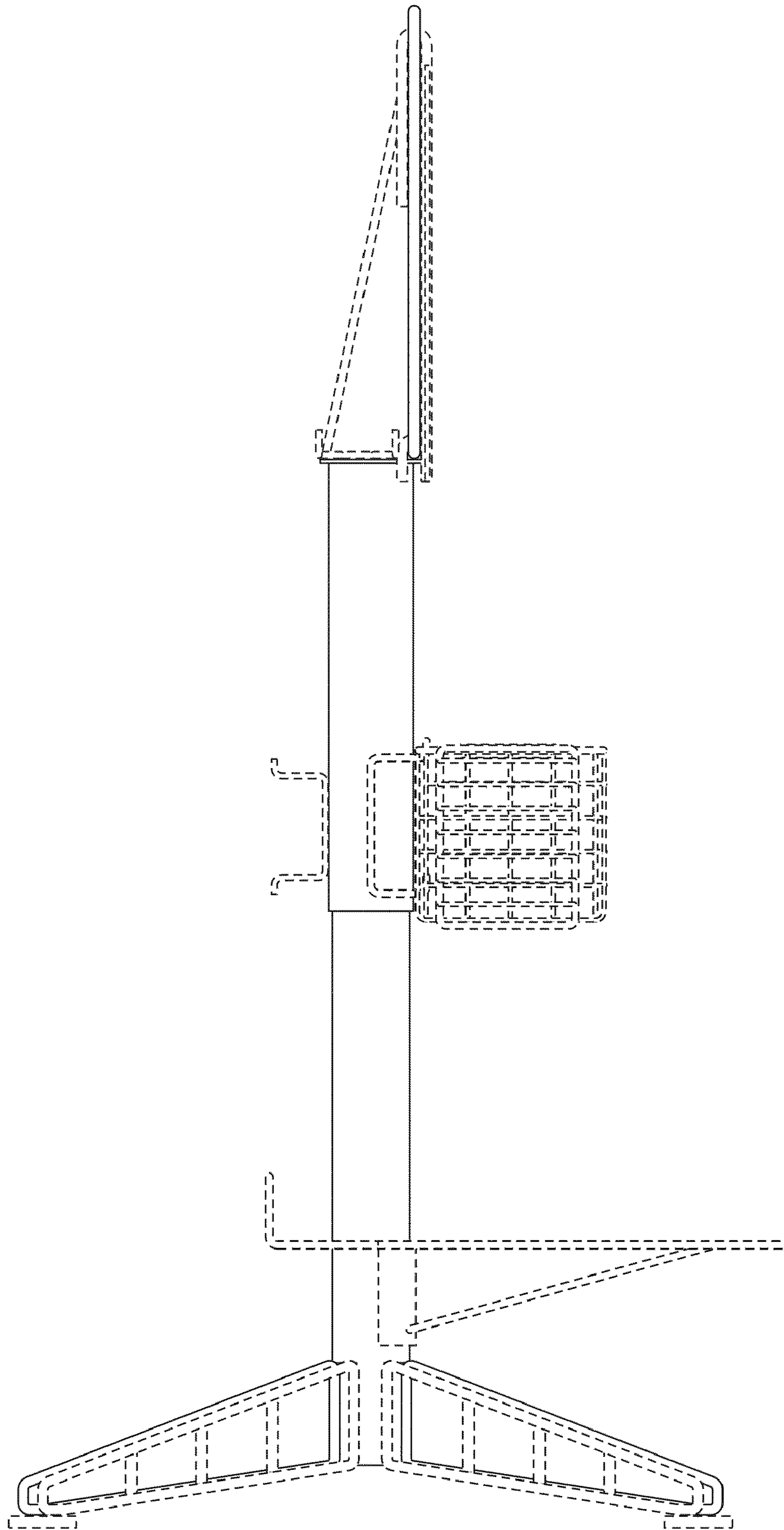


Fig. 5

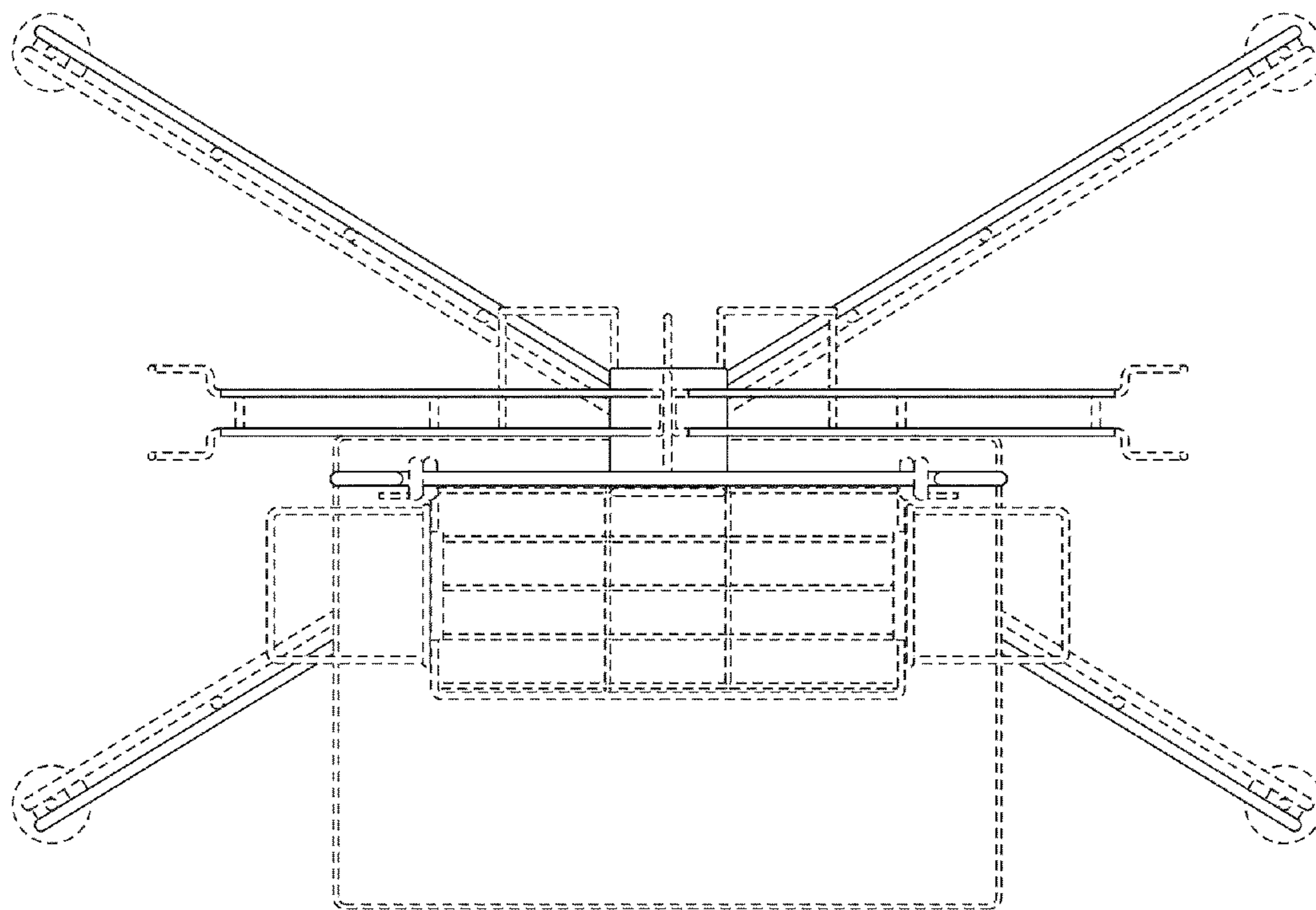


Fig. 6

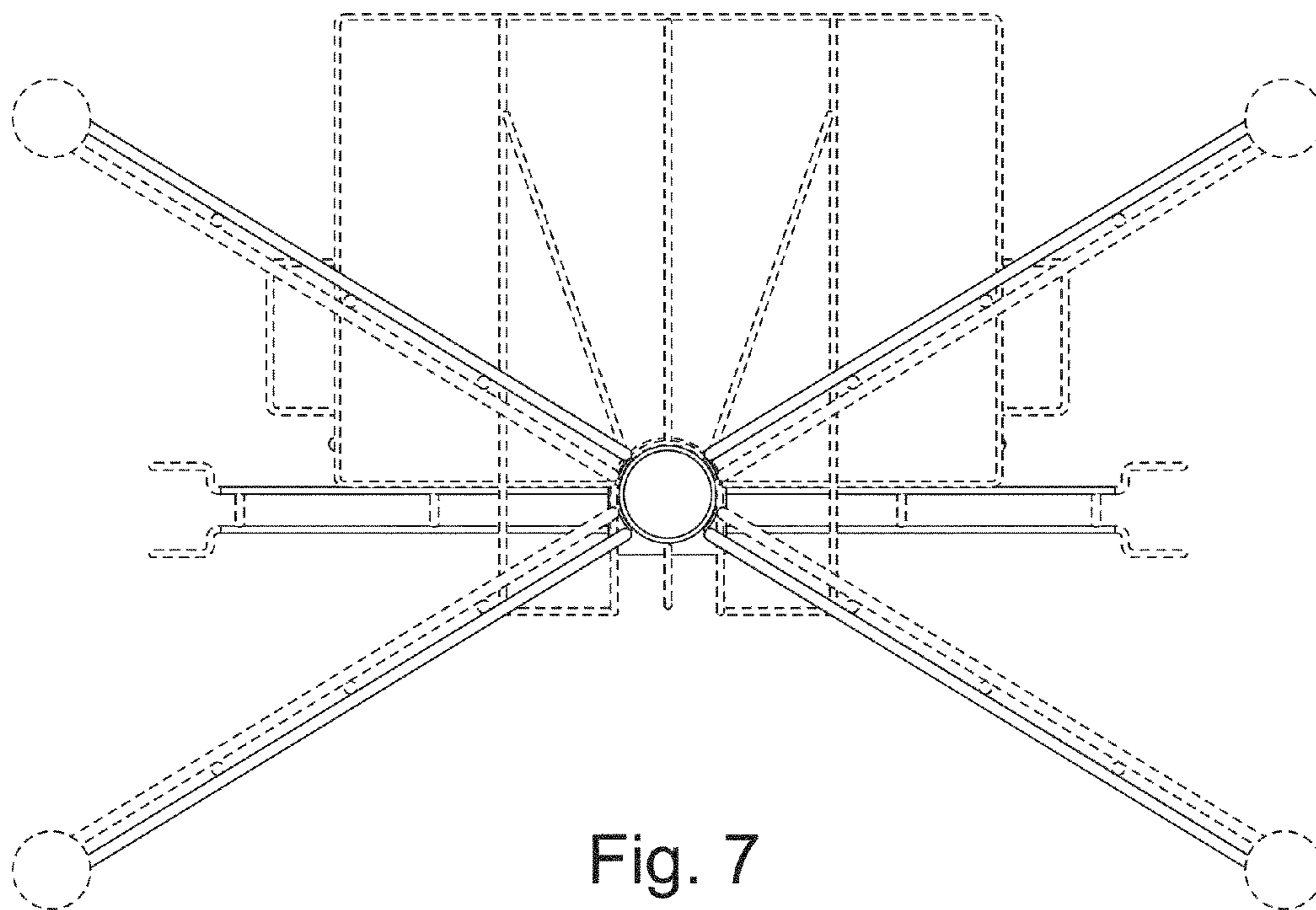


Fig. 7