

US00D643025S

(12) **United States Design Patent**
Podduturi

(10) **Patent No.:** **US D643,025 S**

(45) **Date of Patent:** **** Aug. 9, 2011**

(54) **ANTENNA RADOME**

(75) **Inventor:** **Bharadvaj R. Podduturi**, Pleasant Hill,
CA (US)

(73) **Assignee:** **World Products, LLC**, Sonoma, CA
(US)

(**) **Term:** **14 Years**

(21) **Appl. No.:** **29/379,134**

(22) **Filed:** **Nov. 15, 2010**

(51) **LOC (9) Cl.** **14-03**

(52) **U.S. Cl.** **D14/230**

(58) **Field of Classification Search** D14/230–238,
D14/299; 343/700 R, 840, 841, 908; 455/3.02,
455/FOR. 215, 575.2

See application file for complete search history.

(56) **References Cited**

U.S. PATENT DOCUMENTS

D157,090	S *	1/1950	Schmidt	D14/234
2,505,424	A *	4/1950	Moseley	343/776
3,100,894	A *	8/1963	Giller et al.	343/756
3,509,571	A	4/1970	Jone, Jr. et al.		
3,975,737	A	8/1976	Jones, Jr. et al.		
D287,588	S *	1/1987	Ulch	D14/231
D293,575	S *	1/1988	Sugiura	D14/230
D296,895	S *	7/1988	Nakayama	D14/230
D307,143	S *	4/1990	Ashihara	D14/230
D357,683	S *	4/1995	Cline et al.	D14/234
D390,566	S	2/1998	Martek et al.		
6,023,245	A	2/2000	Gomez et al.		

D483,030	S	12/2003	Melton		
D489,712	S *	5/2004	Nagatomi	D14/230
6,879,294	B2	4/2005	Yuanzhu		
D546,322	S *	7/2007	Cislo et al.	D14/230
D558,190	S *	12/2007	Cislo	D14/230
D604,279	S	11/2009	Chen et al.		
7,755,551	B2	7/2010	Lindackers et al.		
D621,391	S *	8/2010	Douglas et al.	D14/240

* cited by examiner

Primary Examiner — T. Chase Nelson

Assistant Examiner — John Windmuller

(74) *Attorney, Agent, or Firm* — Patterson Thunte
Christensen Pedersen, P.A.

(57) **CLAIM**

I claim the ornamental design for an antenna radome, as shown.

DESCRIPTION

FIG. 1 is a front perspective view of an antenna radome showing my new design;

FIG. 2 is a front elevation view of the antenna radome of FIG. 1;

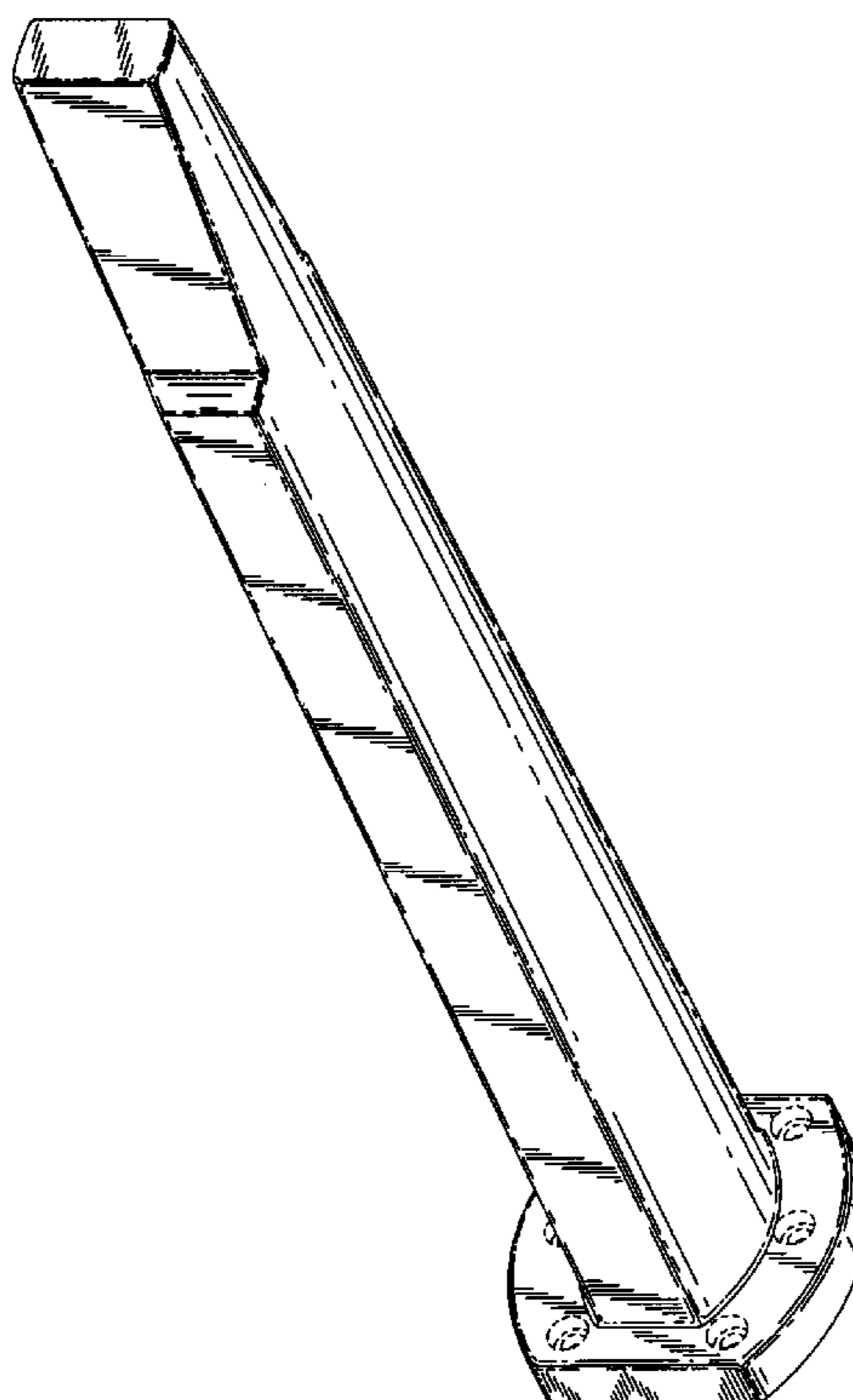
FIG. 3 is a right-side elevation view of the antenna radome of FIG. 1;

FIG. 4 is a rear elevation view of the antenna radome of FIG. 1.

FIG. 5 is a left-side elevation view of the antenna radome of FIG. 1;

FIG. 6 is a top plan view of the antenna radome of FIG. 1; and,
FIG. 7 is a bottom plan view of the antenna radome of FIG. 1.

1 Claim, 4 Drawing Sheets



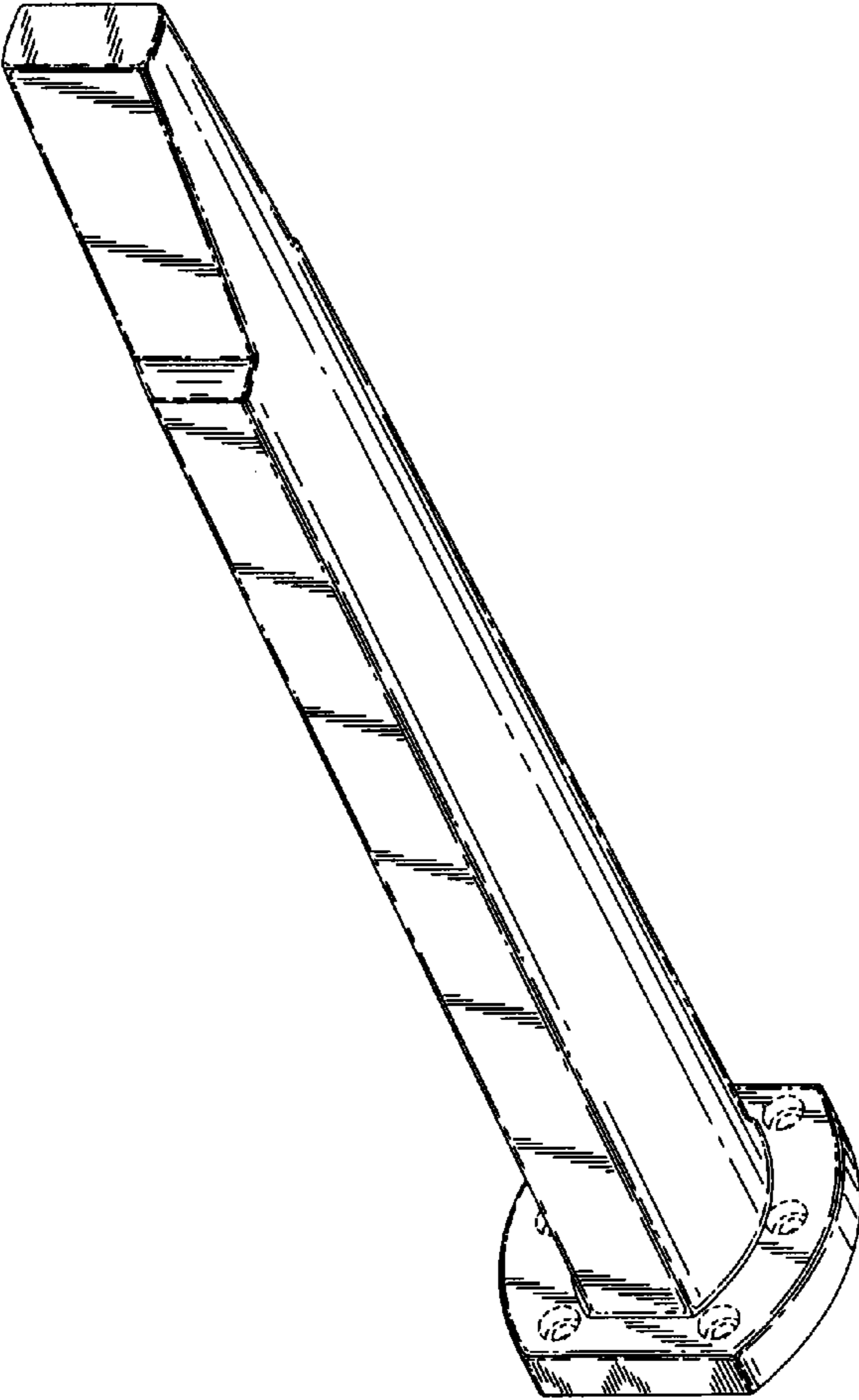


Fig. 1

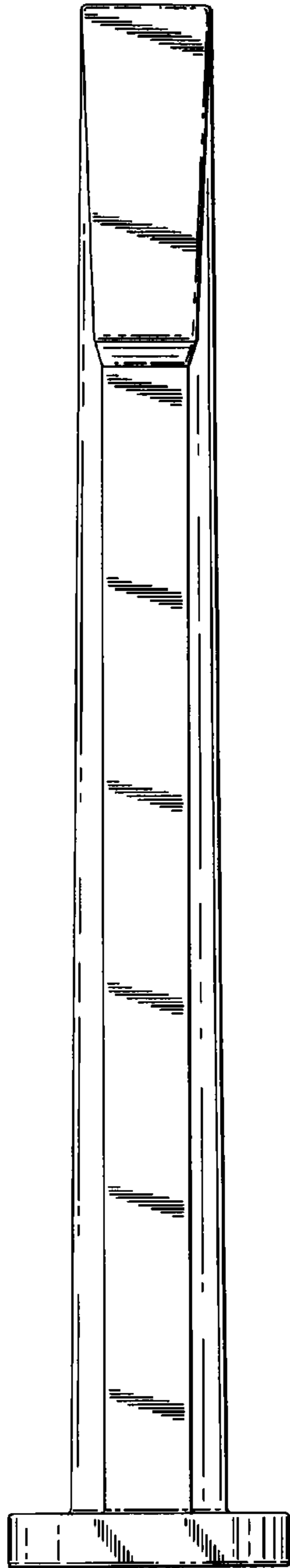


Fig. 2

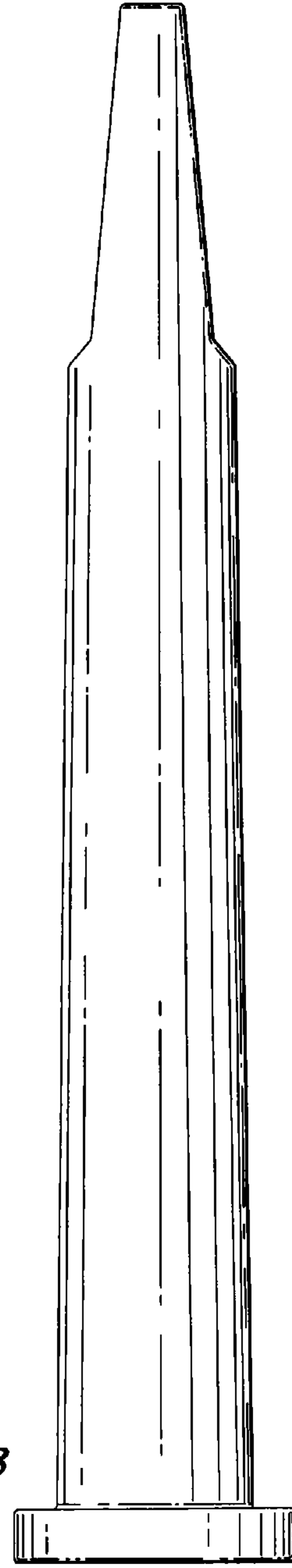


Fig. 3

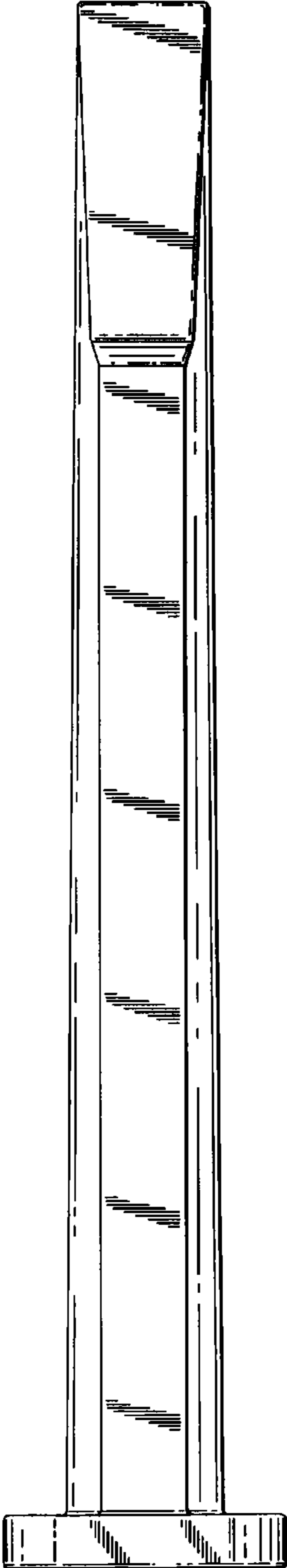


Fig. 4

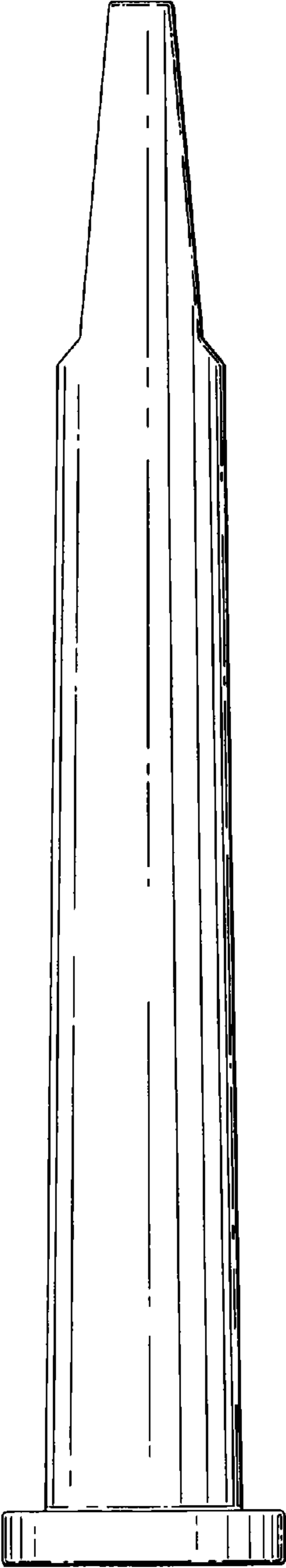


Fig. 5

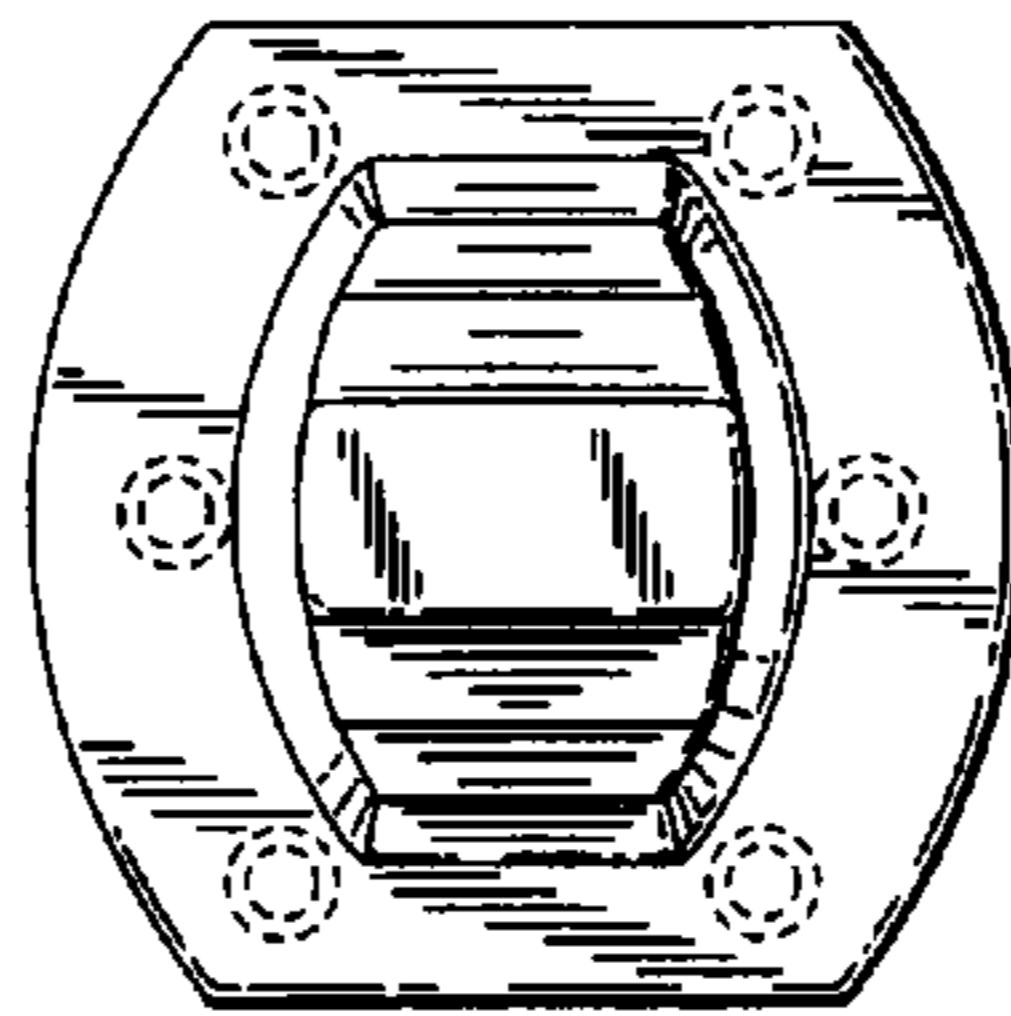


Fig. 6

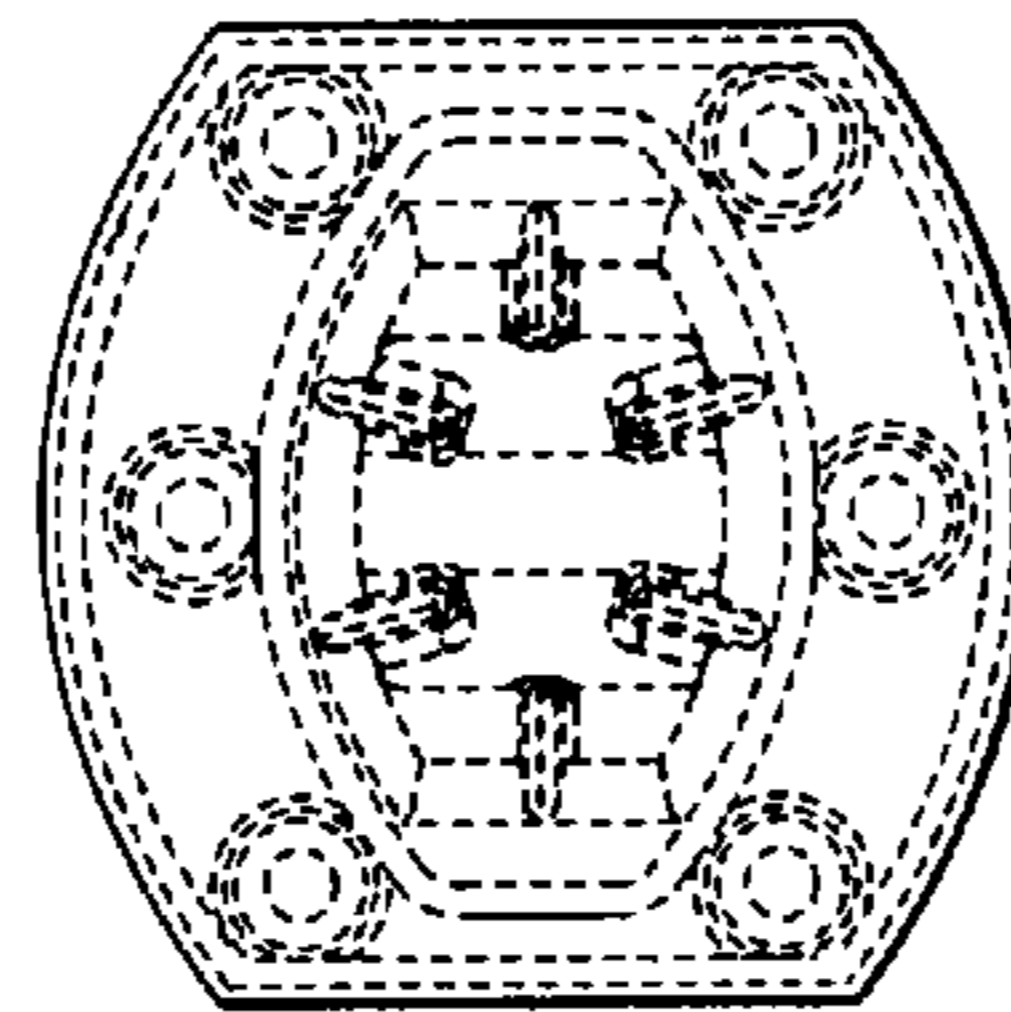


Fig. 7