



US00D643021S

(12) **United States Design Patent**  
**Khoo et al.**

(10) **Patent No.:** **US D643,021 S**

(45) **Date of Patent:** **\*\* Aug. 9, 2011**

(54) **SPEAKER**

(75) Inventors: **Soo Beng Damien Khoo**, Singapore  
(SG); **Kok Keong Dave Lim**, Singapore  
(SG); **Huey Ying Gan**, Singapore (SG)

(73) Assignee: **Creative Technology Ltd**, Singapore  
(SG)

(\*\*) Term: **14 Years**

(21) Appl. No.: **29/377,859**

(22) Filed: **Oct. 27, 2010**

(51) **LOC (9) Cl.** ..... **14-01**

(52) **U.S. Cl.** ..... **D14/215**

(58) **Field of Classification Search** ..... D14/204,  
D14/210–216, 172; 181/143–144, 147–148,  
181/150–153, 157, 198–199; 381/300–303,  
381/306, 332–333, 336, 345, 361–364, 386–388  
See application file for complete search history.

(56) **References Cited**

U.S. PATENT DOCUMENTS

D199,676 S *	12/1964	Reed .....	D14/215
5,937,074 A *	8/1999	Carver .....	381/395
D588,106 S *	3/2009	Khoo et al. ....	D14/215
D597,076 S *	7/2009	Komiyama .....	D14/215

\* cited by examiner

*Primary Examiner* — Nanda Bondade

(57) **CLAIM**

The ornamental design for a speaker, substantially as shown and described.

**DESCRIPTION**

FIG. 1 is a front perspective view of the speaker in accordance with the present design;

FIG. 2 is a rear perspective view of the speaker shown in FIG. 1;

FIG. 3 is a front view of the speaker shown in FIG. 1;

FIG. 4 is rear view of the speaker shown in FIG. 1;

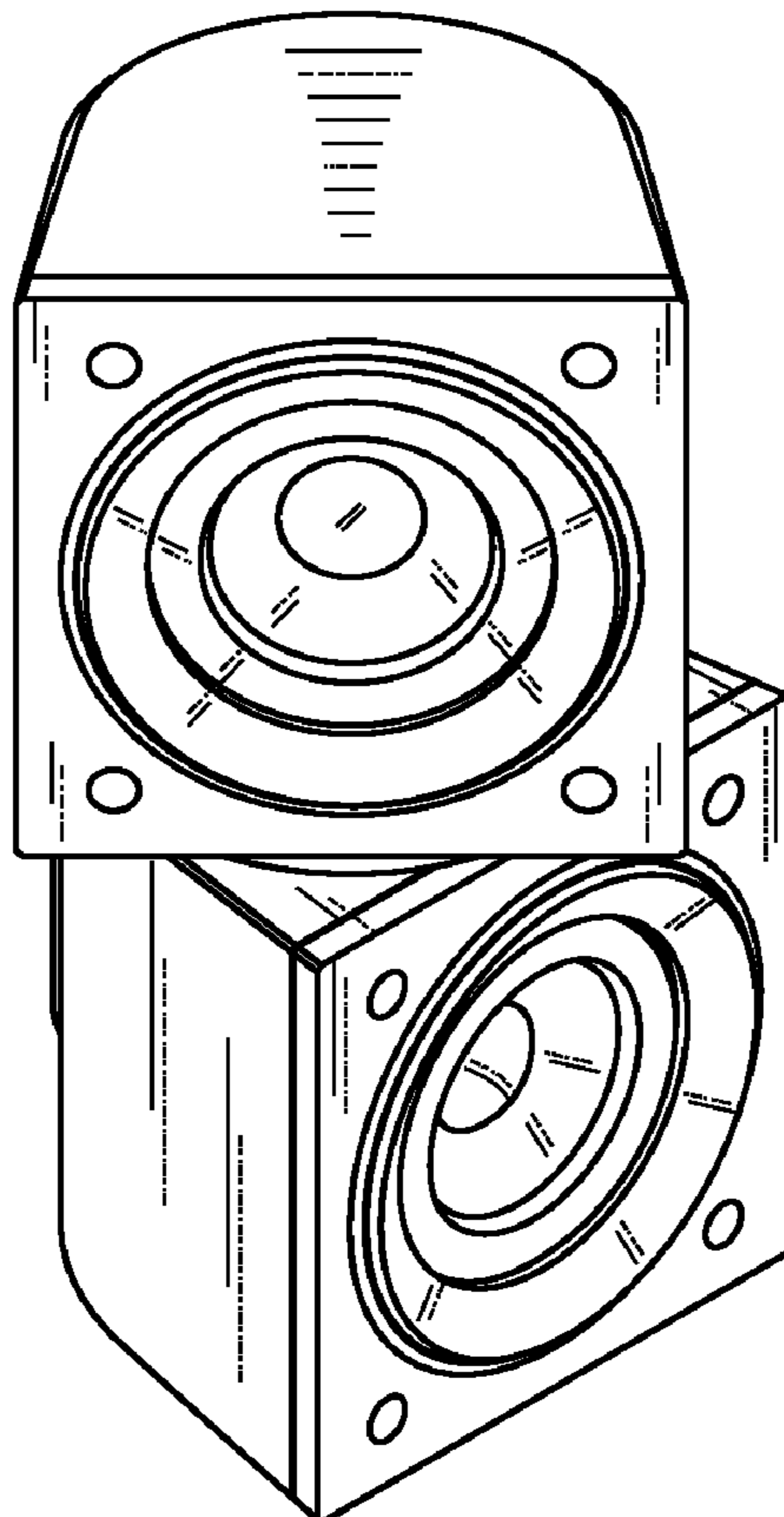
FIG. 5 is a right side view of the speaker shown in FIG. 1;

FIG. 6 is a left side view of the speaker shown in FIG. 1;

FIG. 7 is a top view of the speaker shown in FIG. 1; and,

FIG. 8 is a bottom view of the speaker shown in FIG. 1.

**1 Claim, 4 Drawing Sheets**



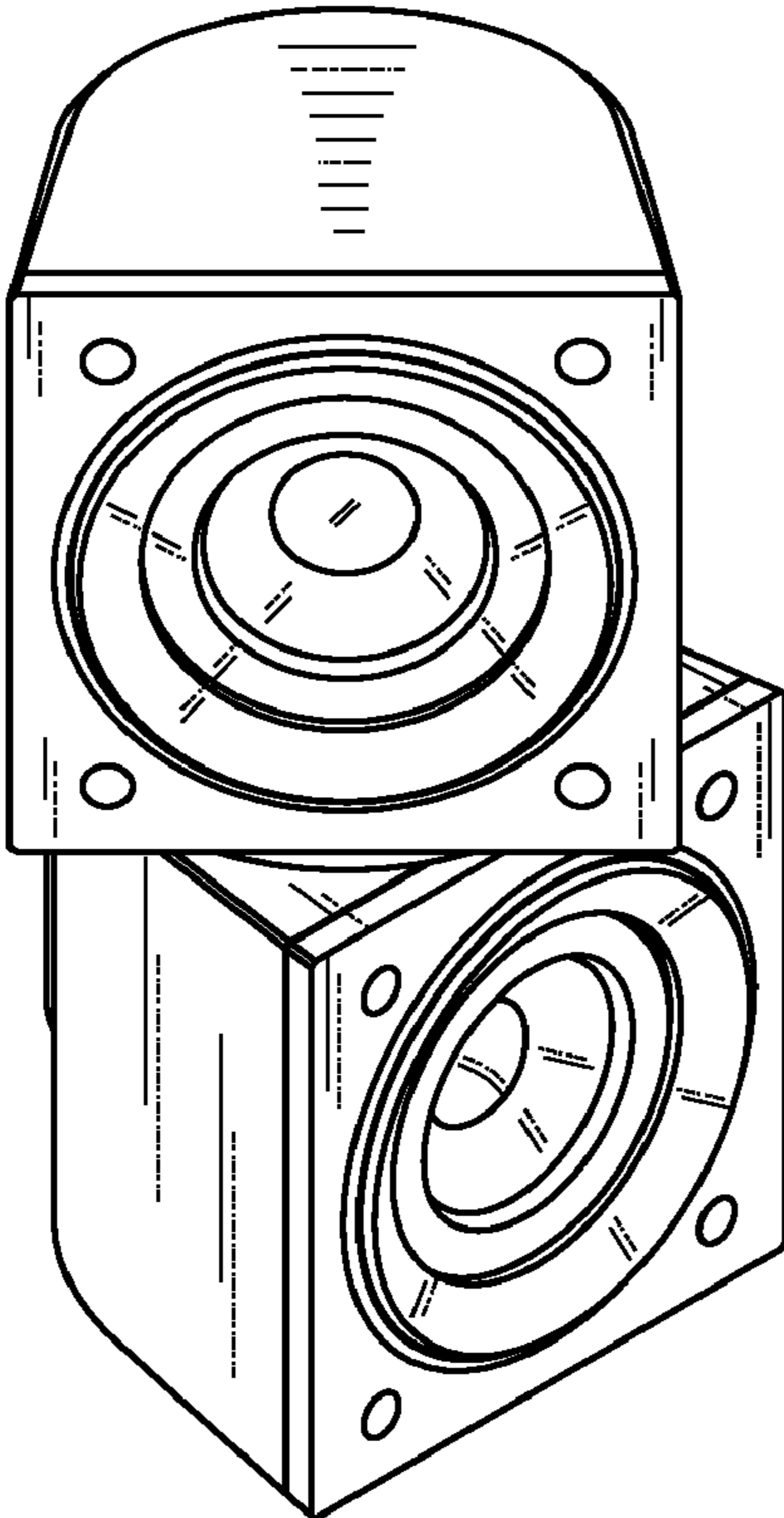


FIG. 1

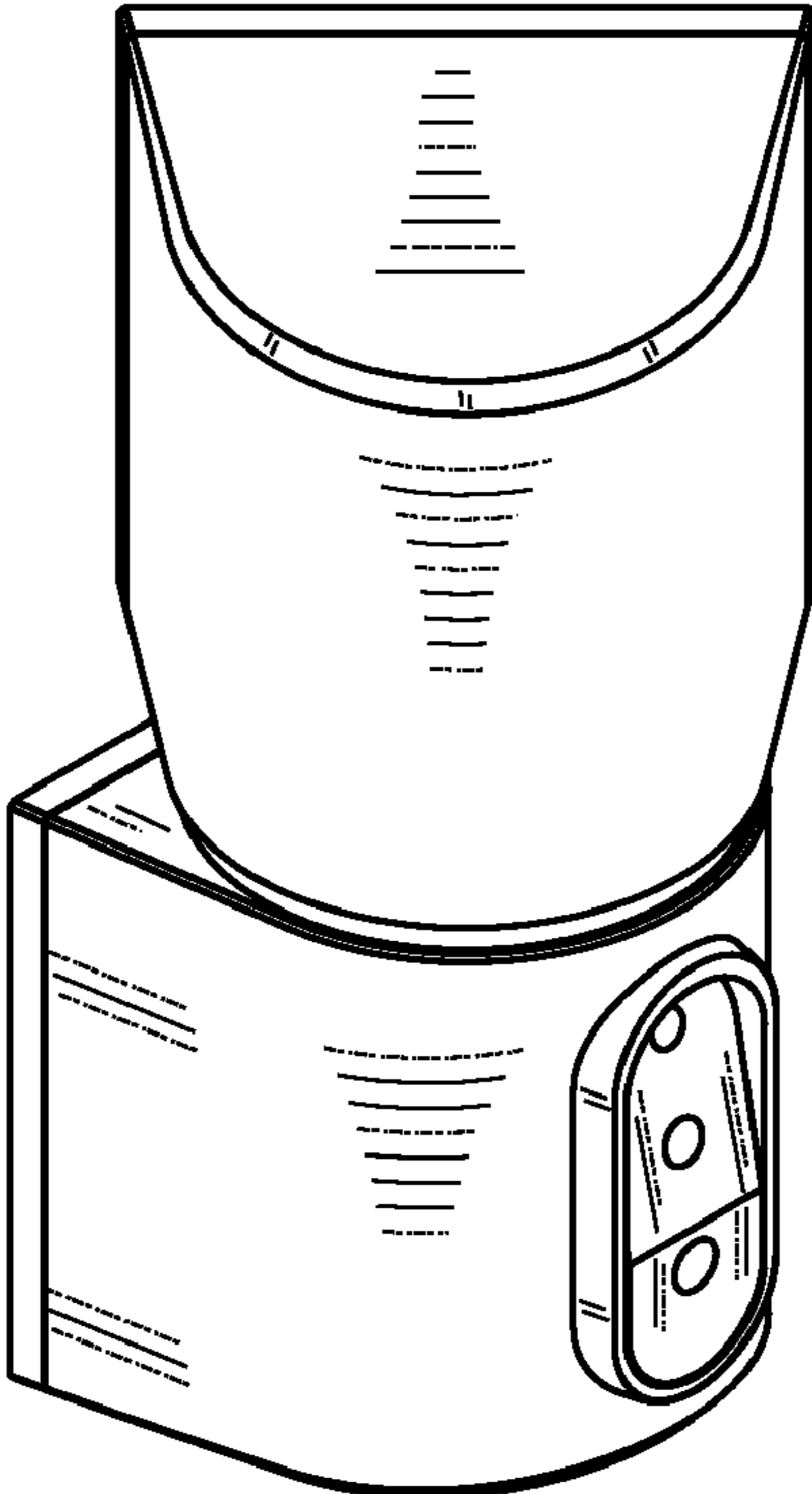


FIG. 2

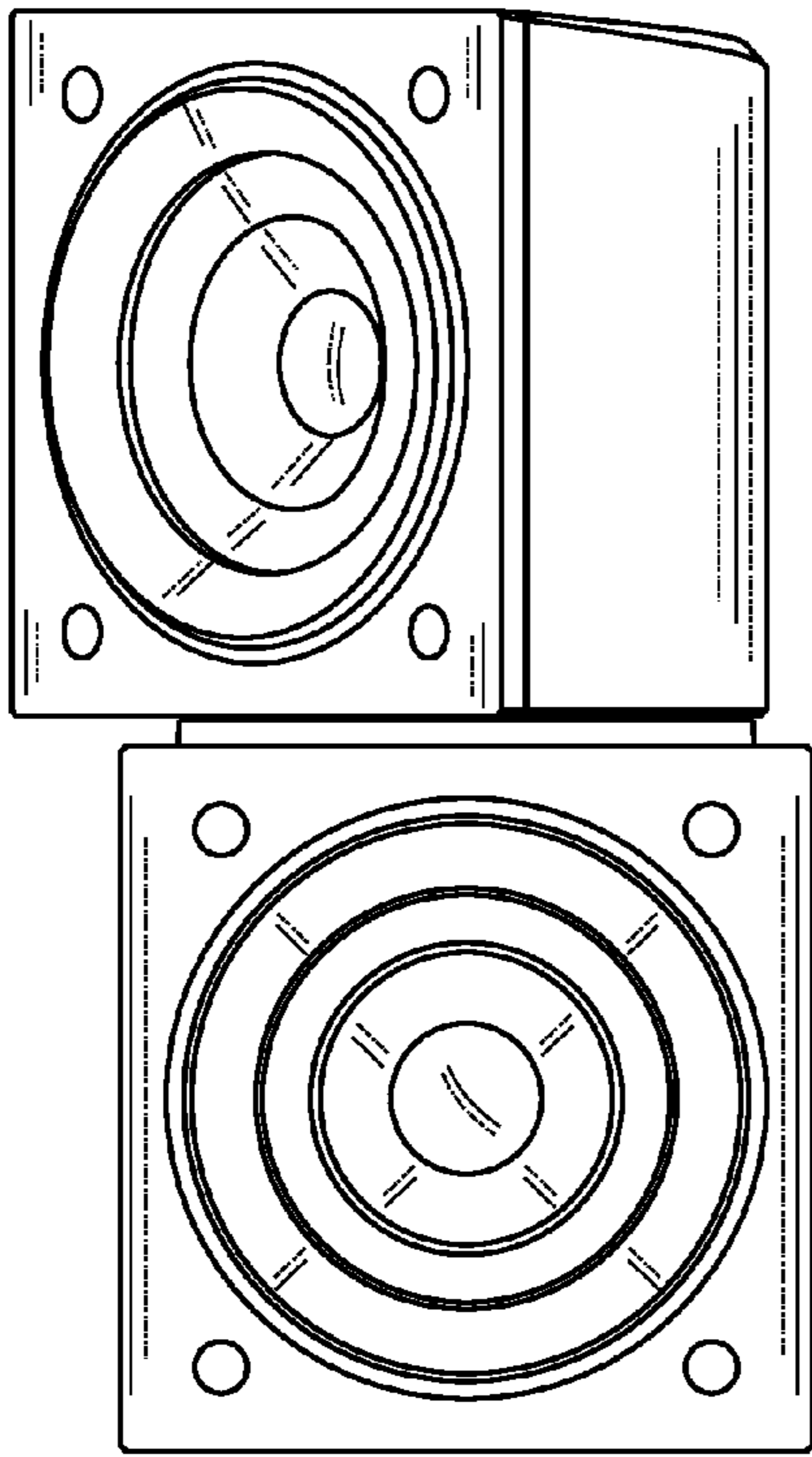


FIG. 3

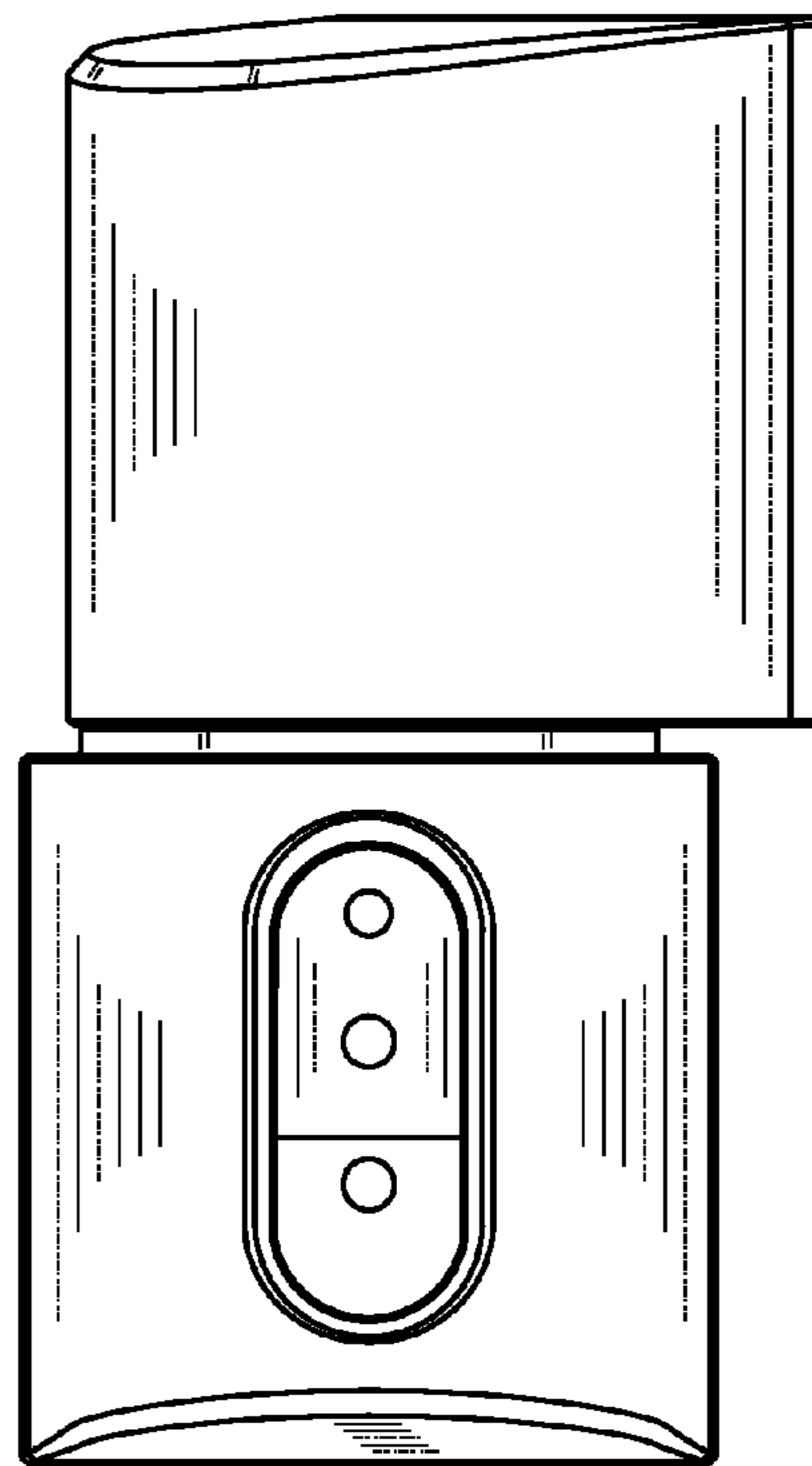


FIG. 4

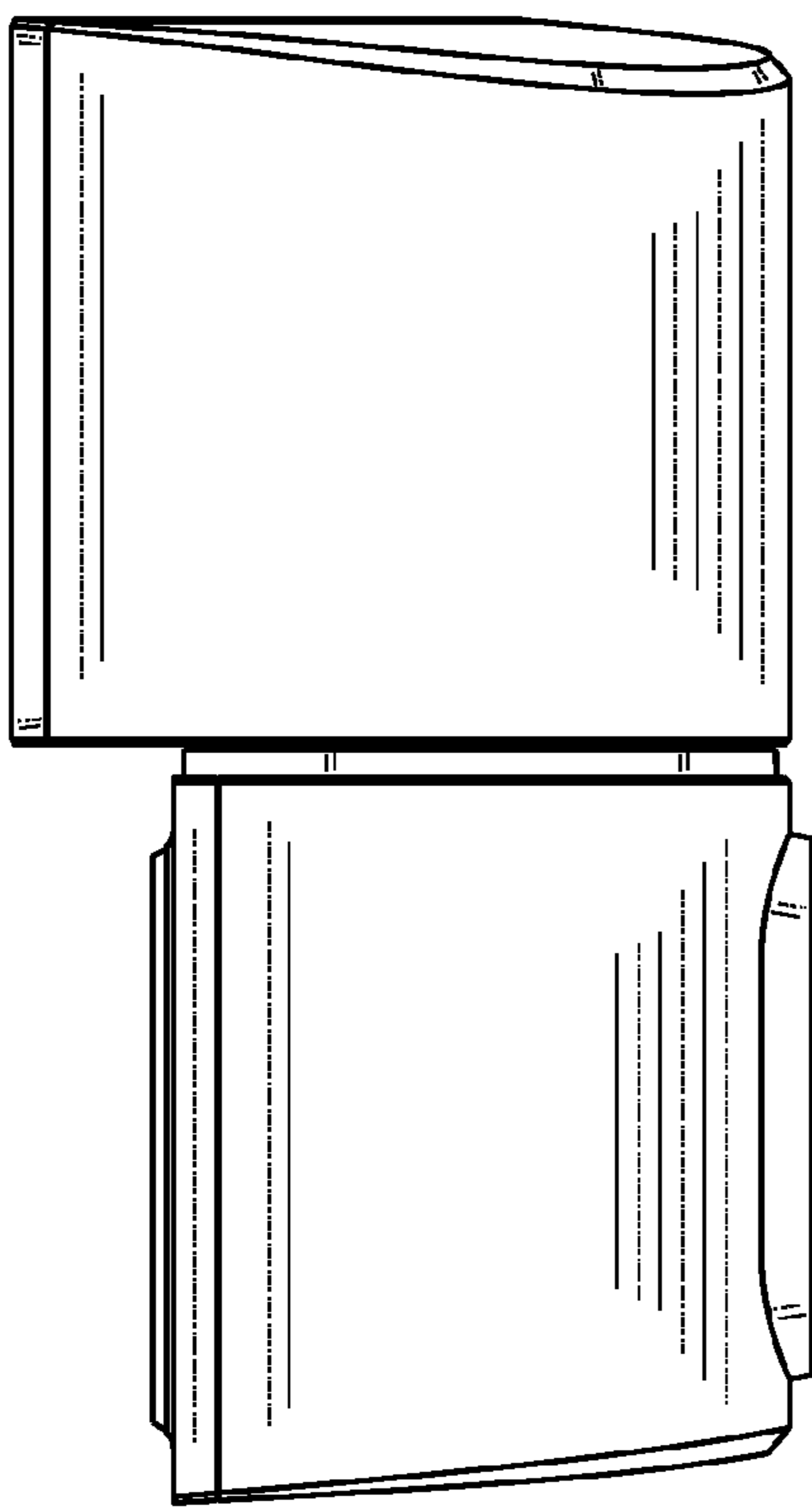


FIG. 5

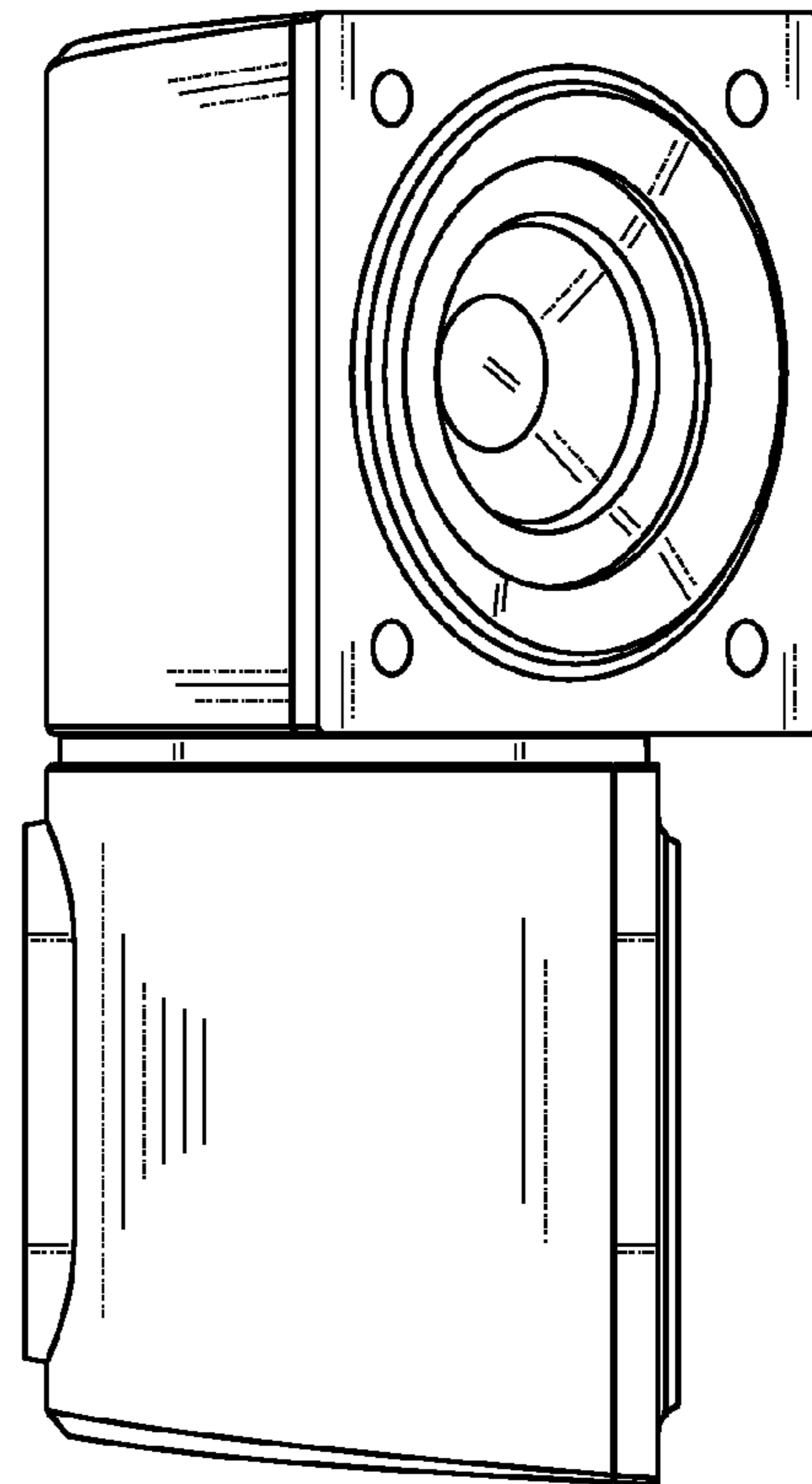


FIG. 6

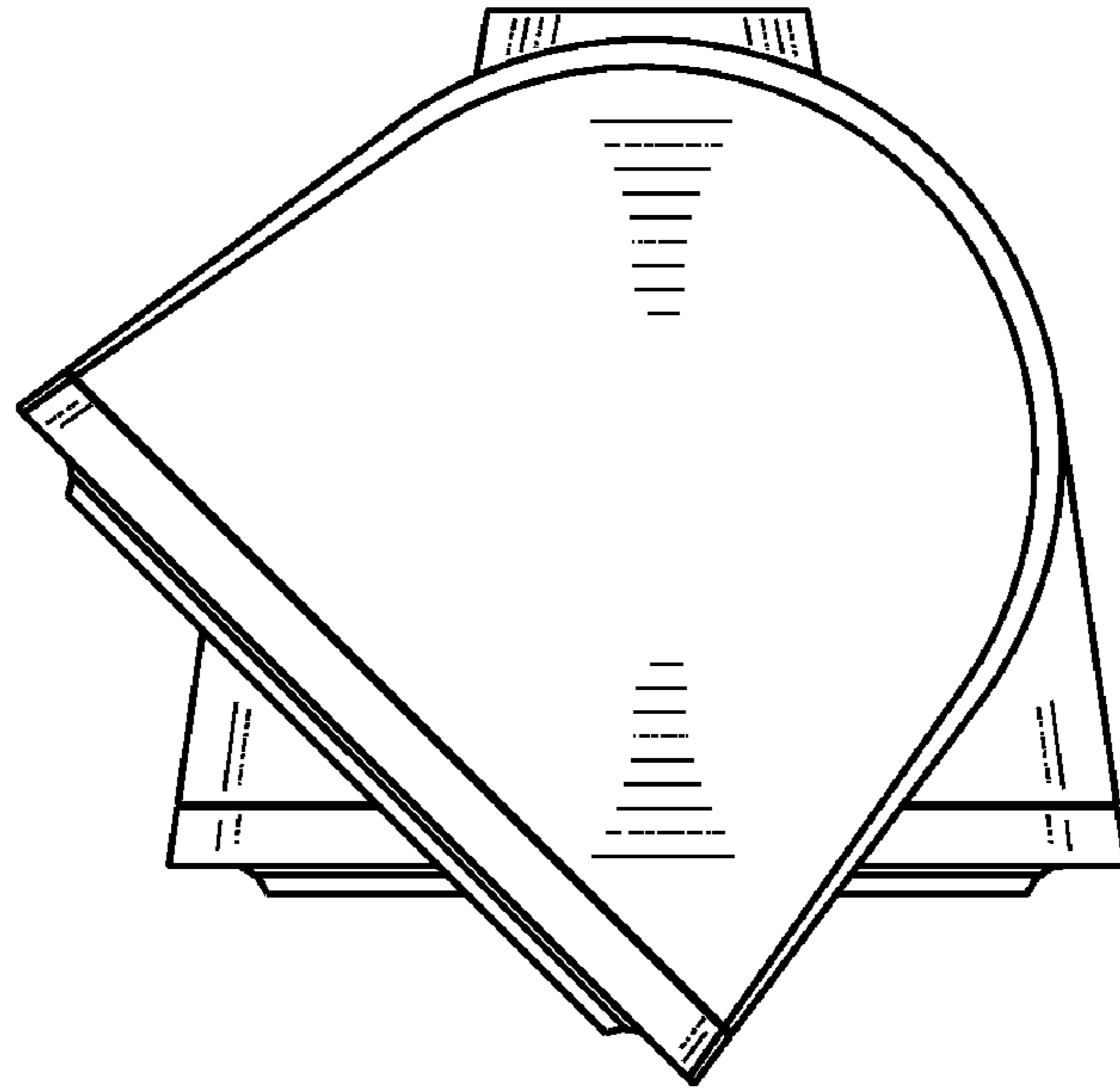


FIG. 7

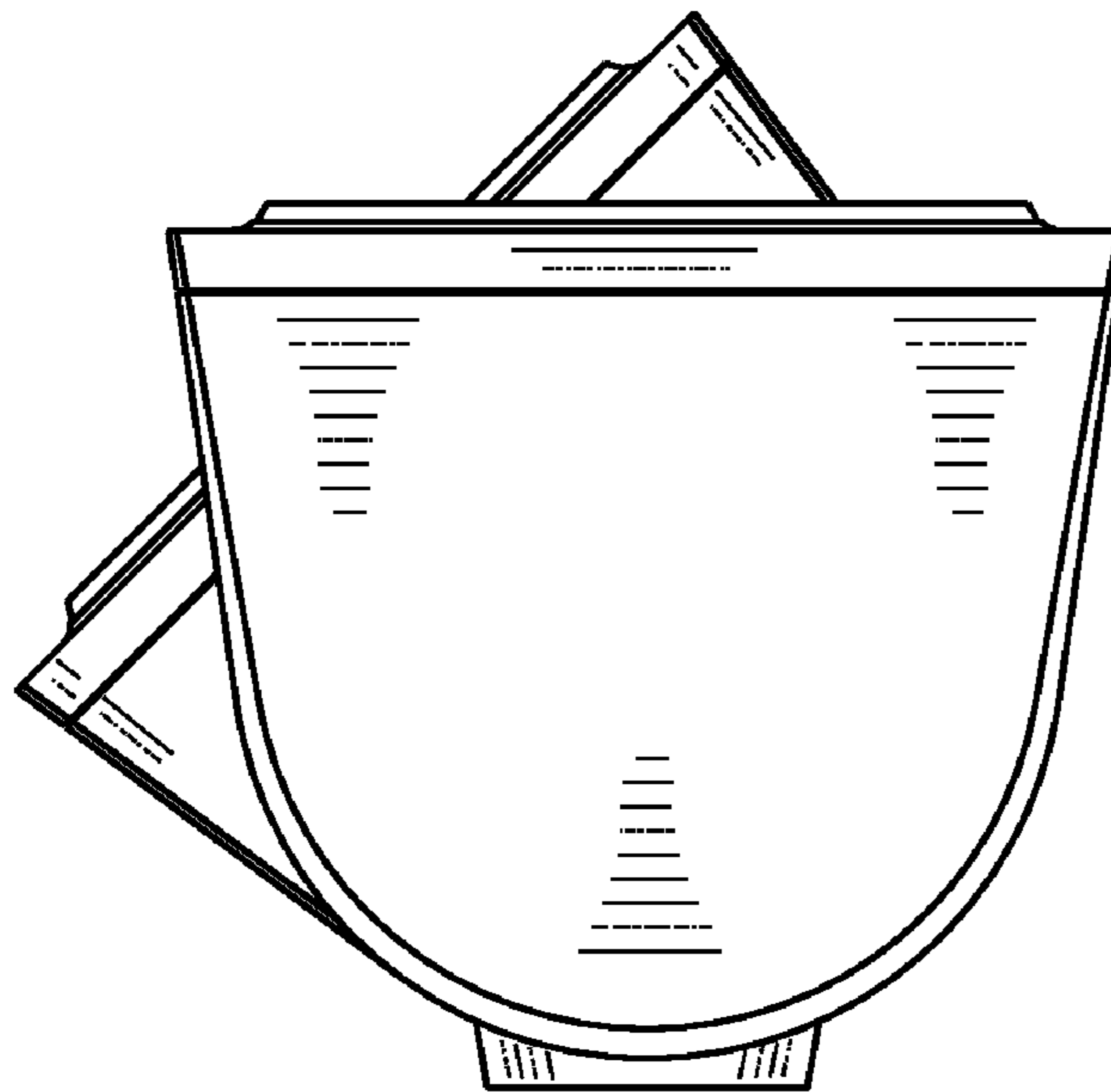


FIG. 8