

US00D643019S

(12) **United States Design Patent**
Behringer et al.

(10) **Patent No.:** **US D643,019 S**

(45) **Date of Patent:** **** *Aug. 9, 2011**

(54) **SPEAKER WITH WALL MOUNT**

D547,747 S * 7/2007 Allen D14/211
D565,028 S * 3/2008 Cho et al. D14/211
D606,976 S * 12/2009 Privett et al. D14/214

(75) Inventors: **Ulrich Behringer**, Makati (PH); **Costa Lakoumentas**, Surrey (CA); **David Czarnecki**, Seattle, WA (US); **Juan Sadder**, Seattle, WA (US)

* cited by examiner

Primary Examiner — Nanda Bondade

(74) *Attorney, Agent, or Firm* — Seed IP Law Group PLLC

(73) Assignee: **MUSIC Group IP Ltd.**, Tortola (VG)

(57) **CLAIM**

The ornamental design for the speaker with wall mount, as shown and described.

(*) Notice: This patent is subject to a terminal disclaimer.

DESCRIPTION

(**) Term: **14 Years**

FIG. 1 is a top, front and left-side perspective view of the speaker with wall mount showing the new design.

FIG. 2 is a top plan view of the speaker with wall mount of FIG. 1.

FIG. 3 is a bottom plan view of the speaker with wall mount of FIG. 1.

(21) Appl. No.: **29/363,156**

FIG. 4 is a front elevational view of the speaker with wall mount of FIG. 1.

(22) Filed: **Jun. 4, 2010**

FIG. 5 is a back elevational view of the speaker with wall mount of FIG. 1.

(51) **LOC (9) Cl.** **14-01**

(52) **U.S. Cl.** **D14/214**

(58) **Field of Classification Search** D14/204,
D14/207, 210–215, 217, 224, 172; 181/143–144,
181/147–148, 150–153, 157, 198–199;
381/300–303, 306, 332–333, 336, 345, 361–364,
381/386–388

FIG. 6 is a right-side elevational view of the speaker with wall mount of FIG. 1.

FIG. 7 is a perspective view of the speaker with wall mount of FIG. 1, showing the speaker alone, shown separately for clarity of illustration; and,

FIG. 8 is a right-side elevational view of the speaker with wall mount of FIG. 1, showing the speaker rotated 90 degrees to the right.

See application file for complete search history.

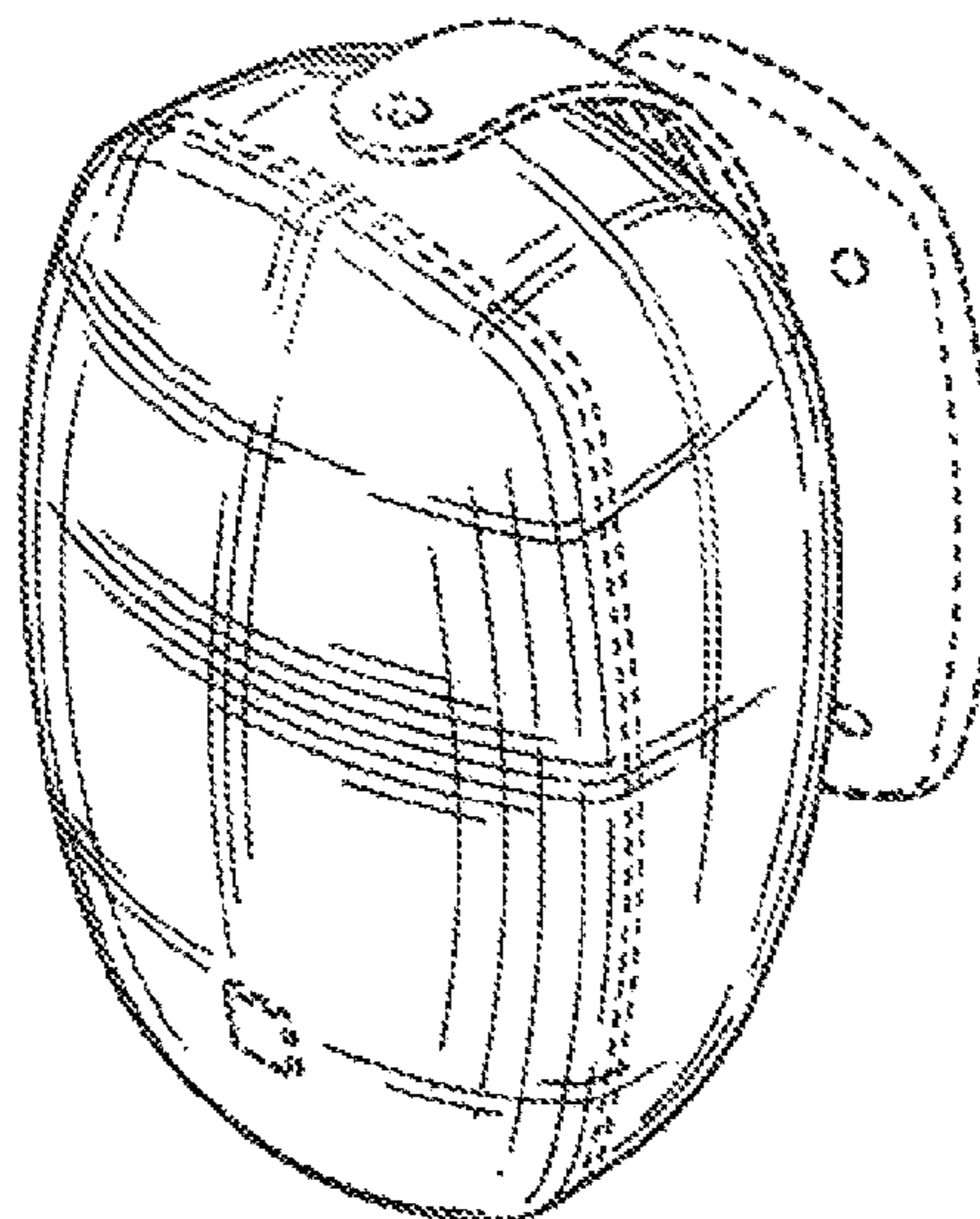
The broken line showing on the drawing disclosure is for illustrative purposes only and forms no part of the claimed design.

(56) **References Cited**

U.S. PATENT DOCUMENTS

D386,187 S * 11/1997 Alsbrook, Sr. D14/224
D400,883 S * 11/1998 Jung D14/214

1 Claim, 2 Drawing Sheets



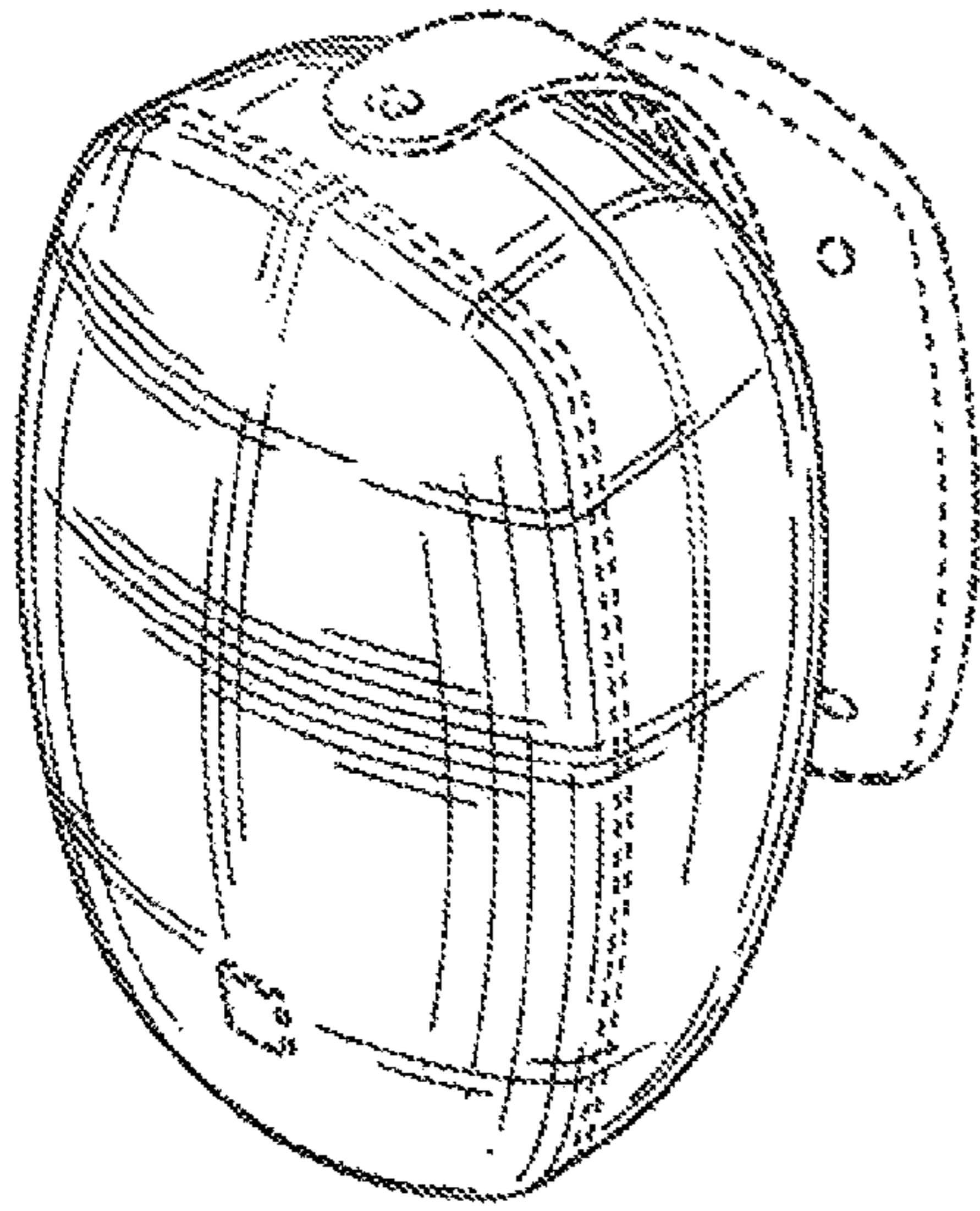


FIG. 1

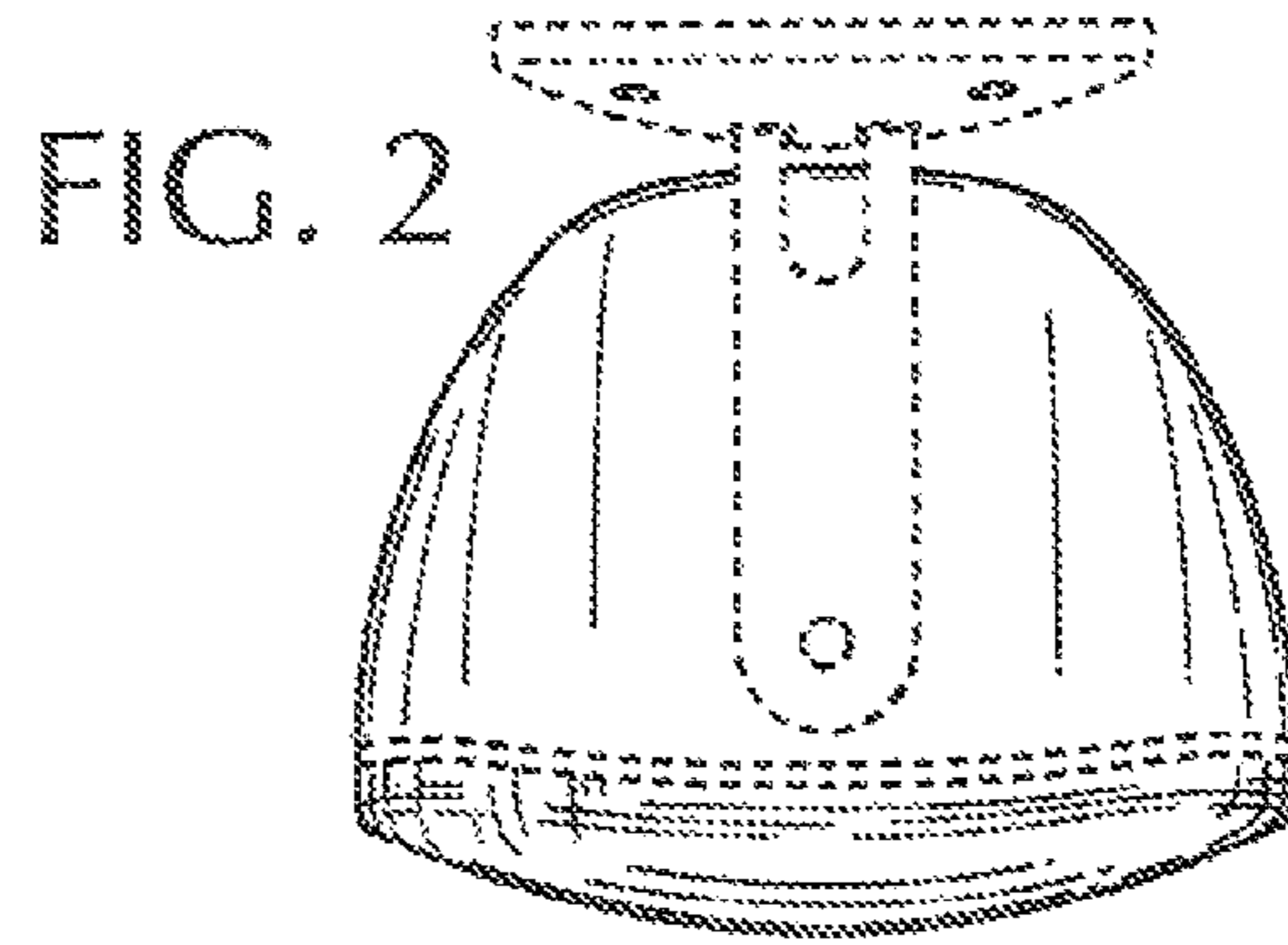


FIG. 2

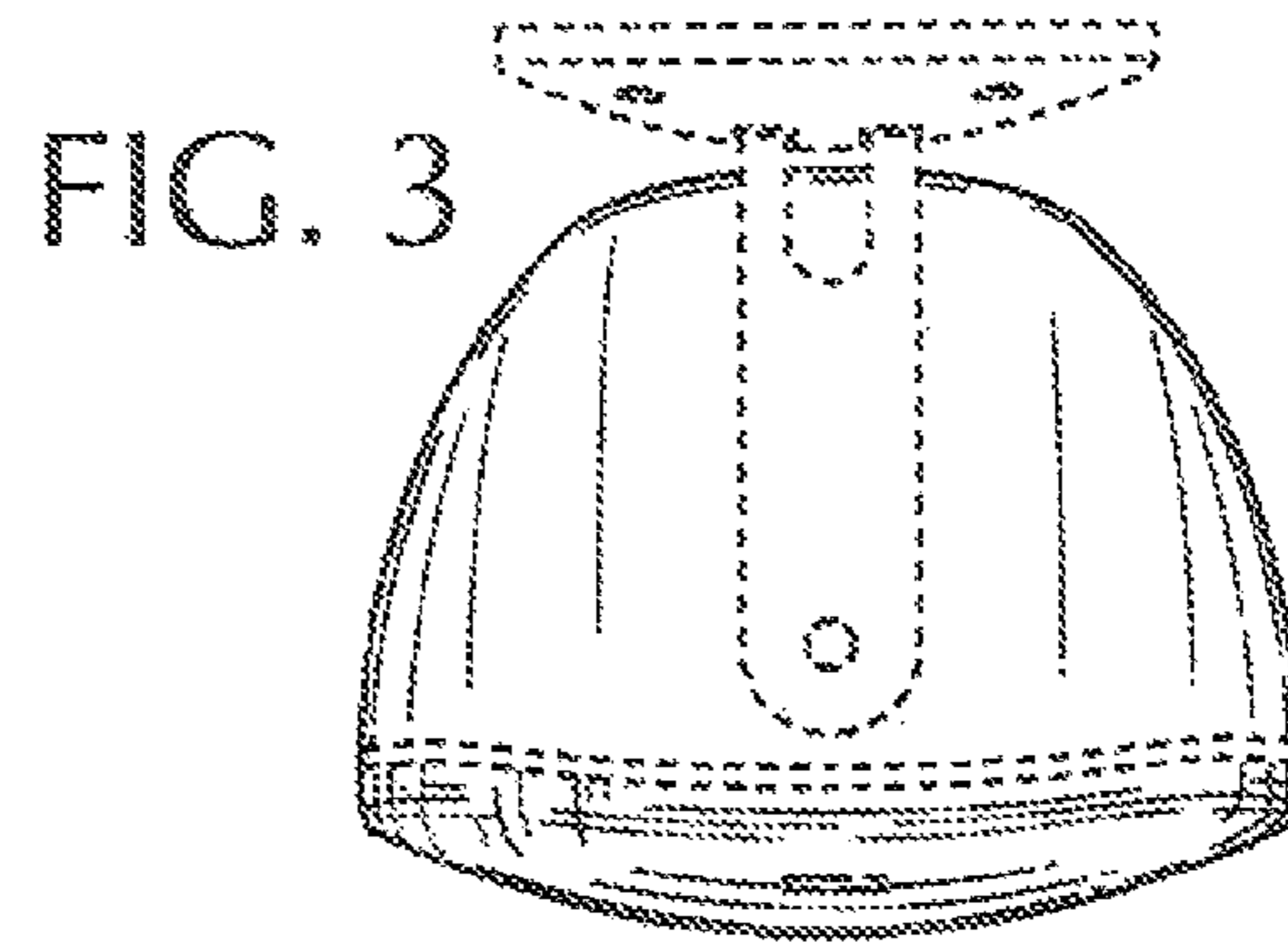


FIG. 3

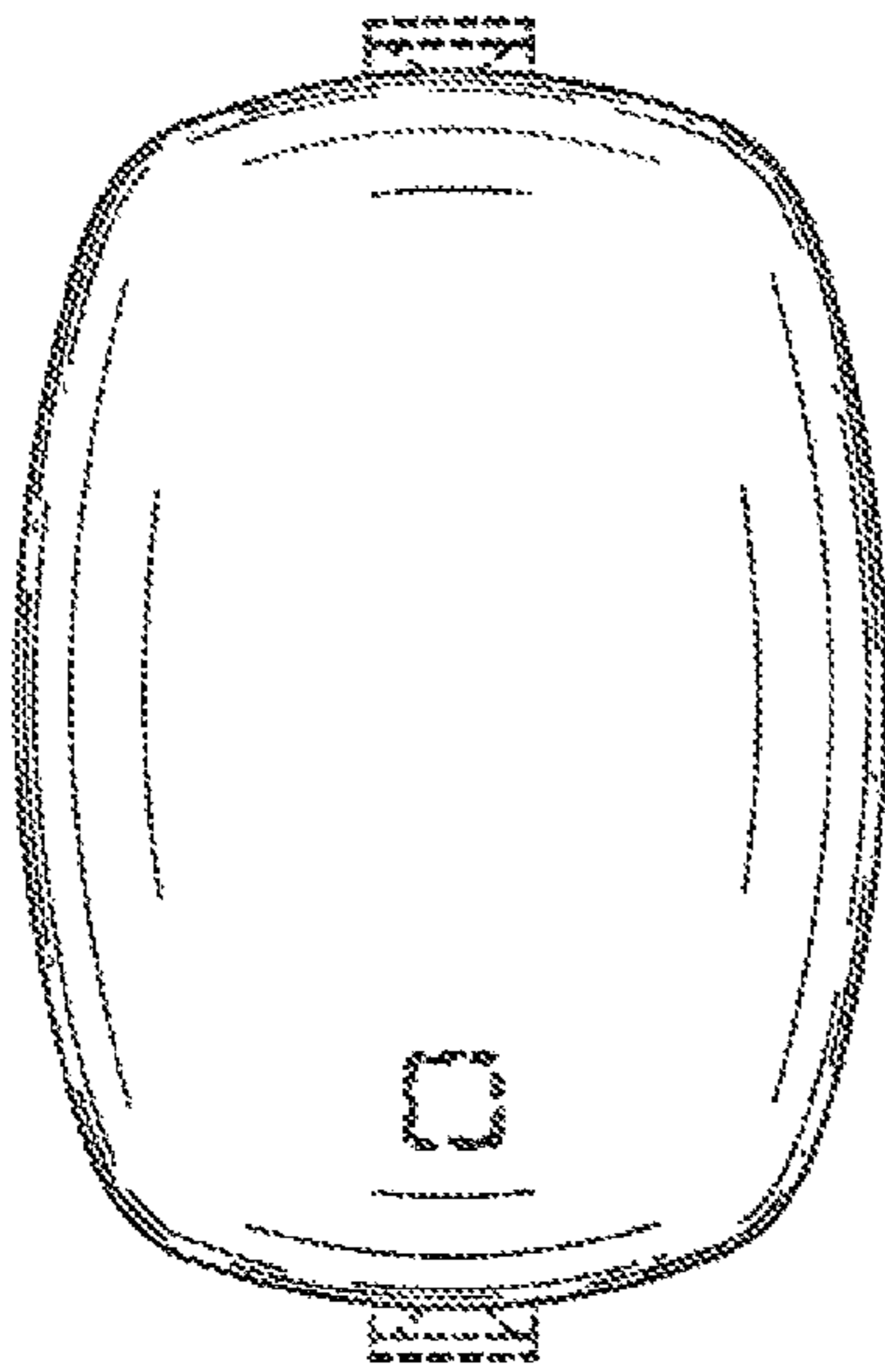


FIG. 4

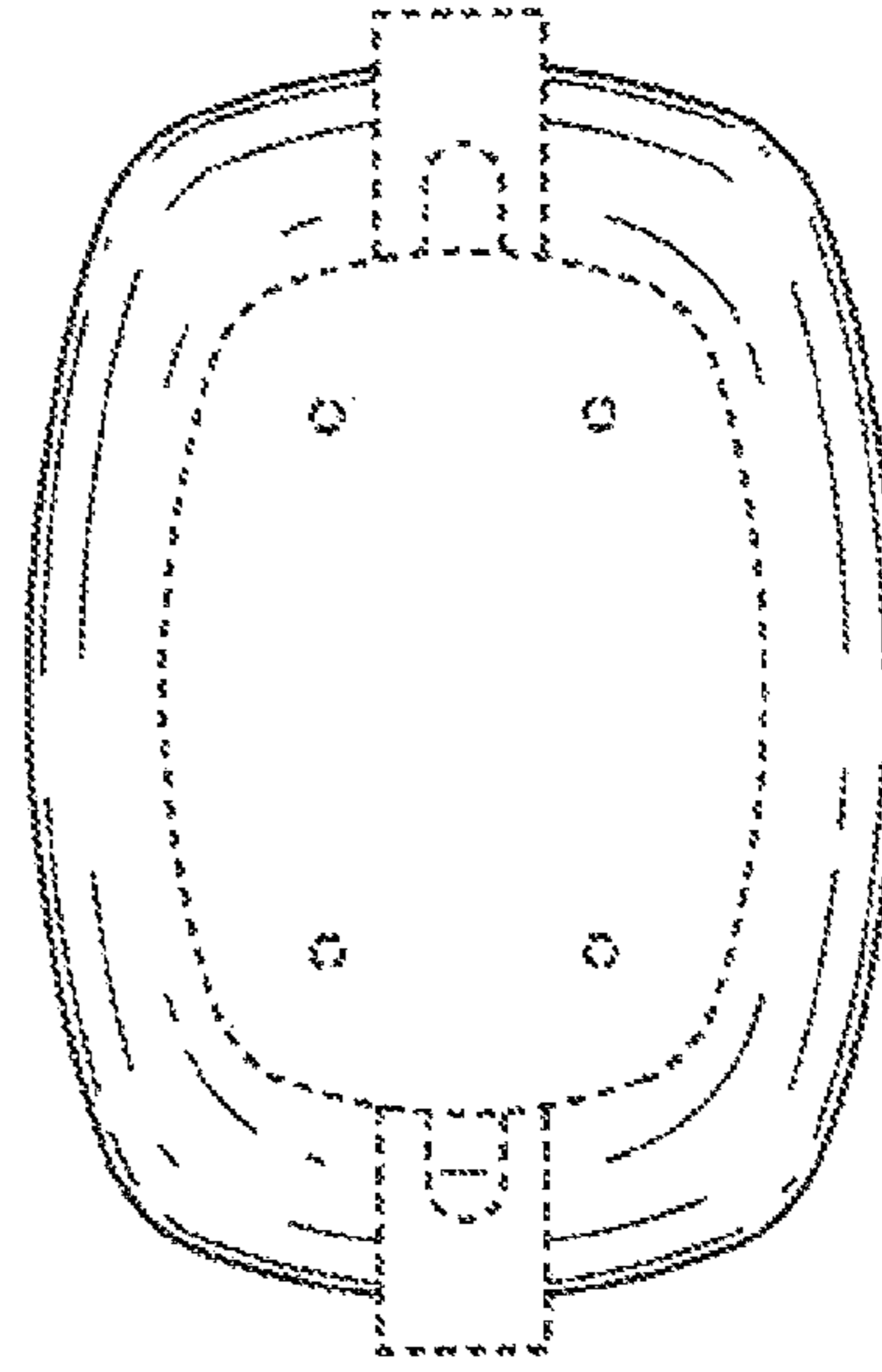


FIG. 5

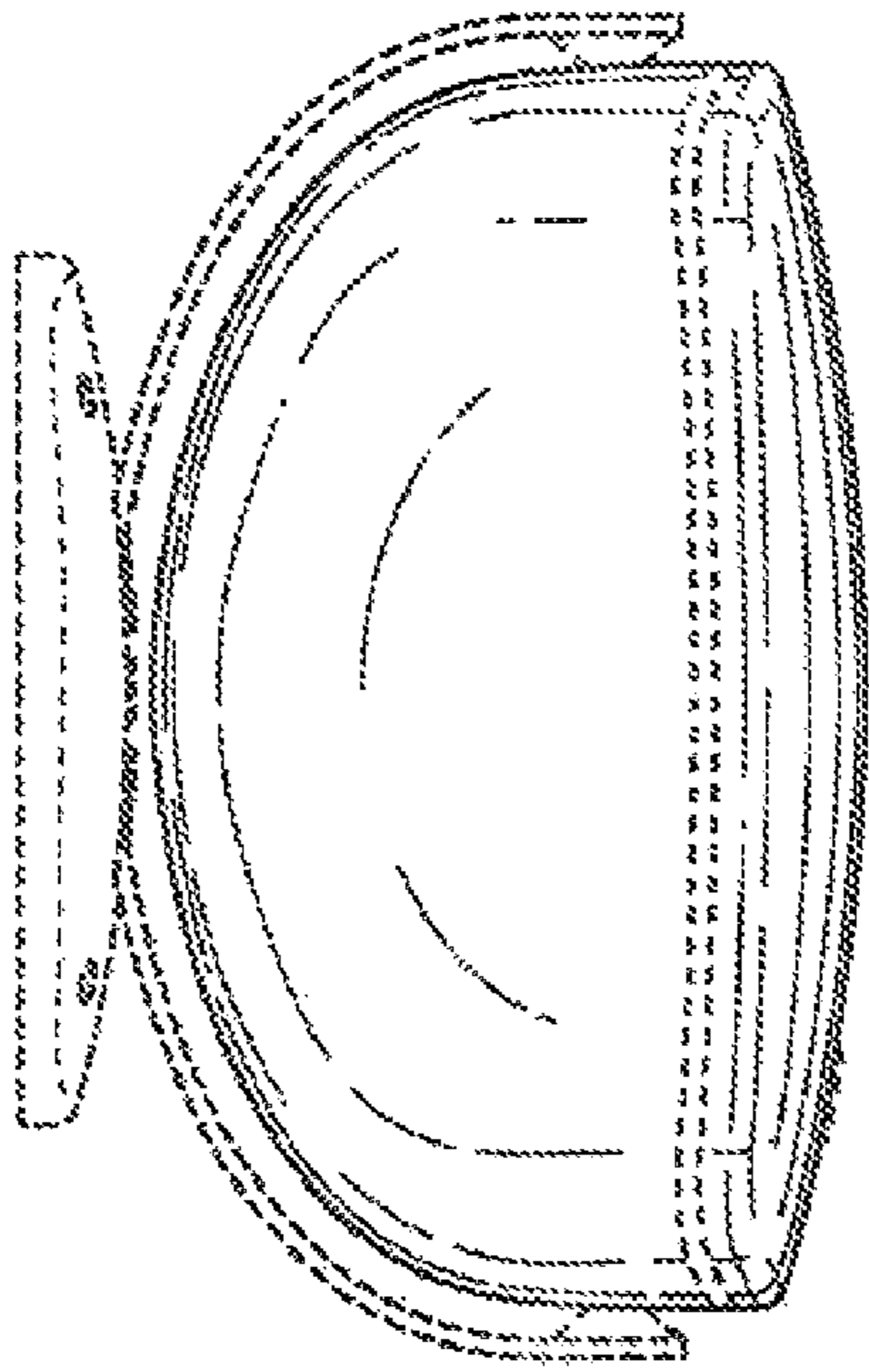


FIG. 6

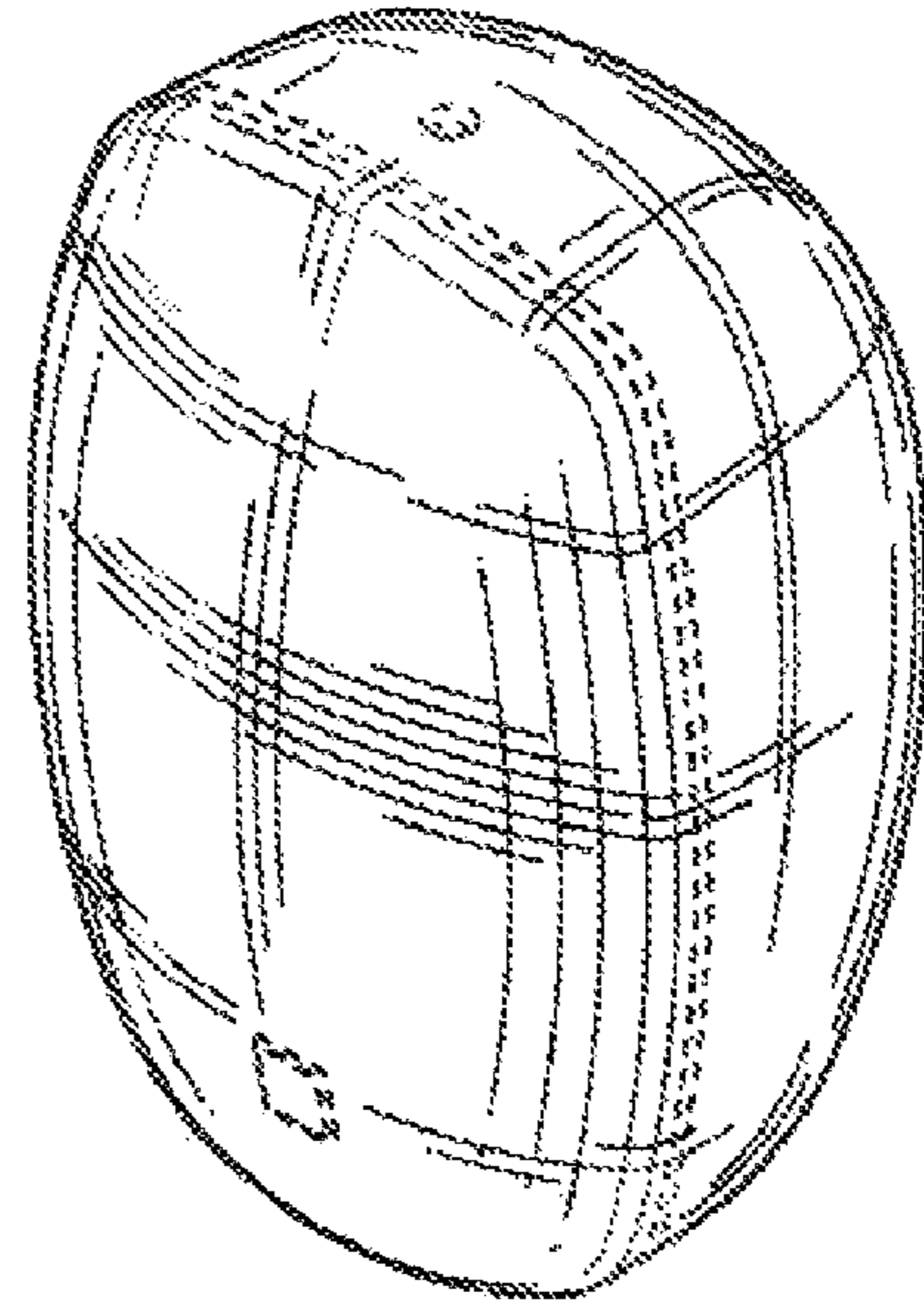


FIG. 7

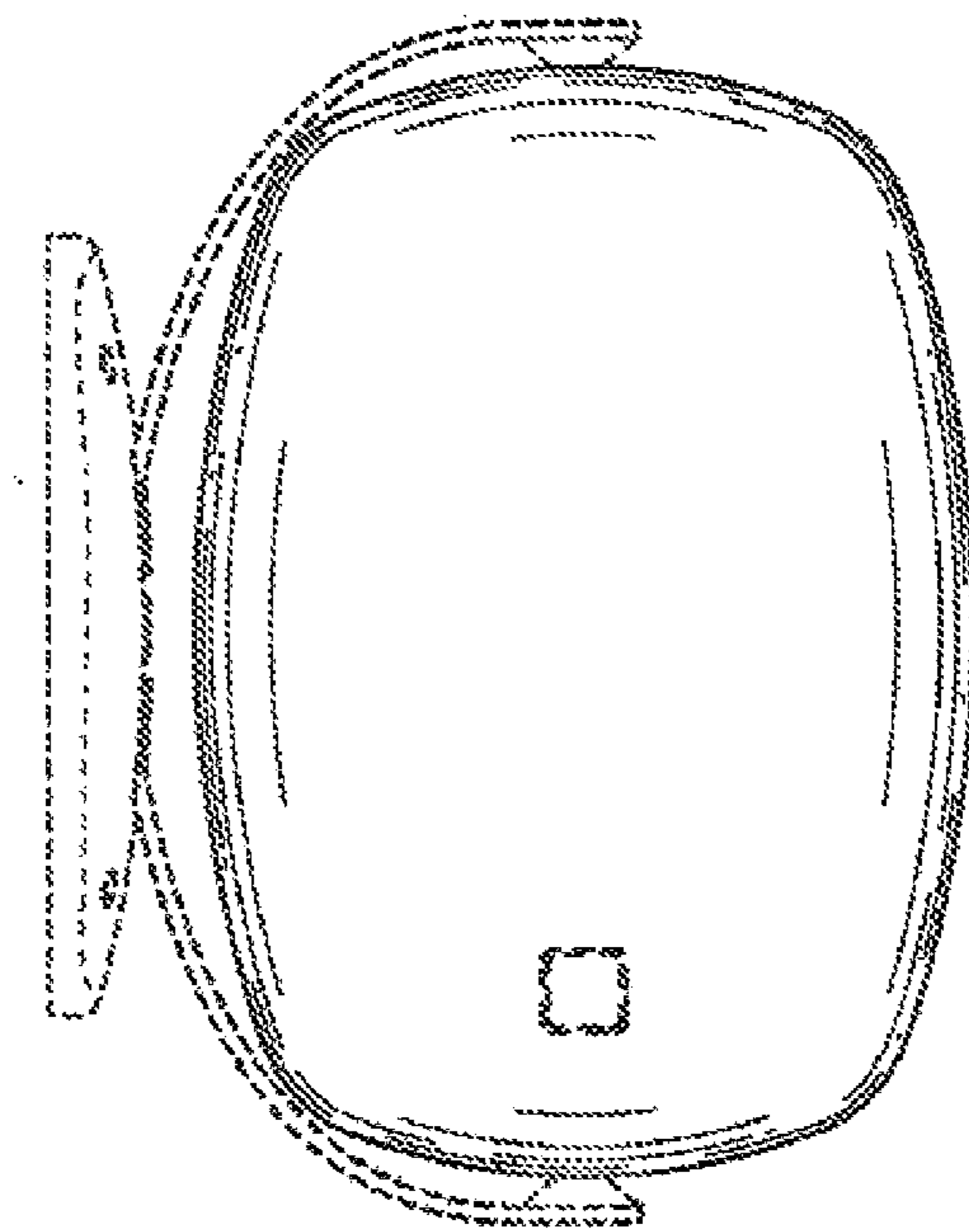


FIG. 8