



US00D643006S

(12) **United States Design Patent**  
**Han et al.**

(10) **Patent No.:** **US D643,006 S**  
(45) **Date of Patent:** **\*\* Aug. 9, 2011**

(54) **MOBILE PHONE**

(75) Inventors: **Woo-Seung Han**, Seoul (KR);  
**Young-Keun Lee**, Seoul (KR)

(73) Assignee: **Samsung Electronics Co., Ltd.**,  
Suwon-Si (KR)

(\*\*) Term: **14 Years**

(21) Appl. No.: **29/377,667**

(22) Filed: **Oct. 25, 2010**

(30) **Foreign Application Priority Data**

Jul. 30, 2010 (KR) ..... 30-2010-0033528

(51) **LOC (9) Cl.** ..... **14-03**

(52) **U.S. Cl.** ..... **D14/138 G**

(58) **Field of Classification Search** ..... D14/138 R,  
D14/138 AD, 138 AC, 138 C, 138 G, 191,  
D14/203.1–203.8, 496, 138 AA, 138 AB,  
D14/137, 147, 218, 341–347, 247–248; D10/65,  
D10/78, 104; D13/168; D18/7; 455/566,  
455/575.1, 575.3, 575.4  
See application file for complete search history.

(56) **References Cited**

**U.S. PATENT DOCUMENTS**

D533,160 S *	12/2006	Yoo et al. ....	D14/138 AD
D541,249 S *	4/2007	Hirano .....	D14/138 AC
D550,190 S *	9/2007	Minamide et al. ....	D14/138 AD
D553,596 S *	10/2007	Kim et al. ....	D14/138 AD
D563,352 S *	3/2008	Miyazawa .....	D14/138 AB
D563,933 S *	3/2008	Lee et al. ....	D14/138 AB
D566,674 S *	4/2008	Park .....	D14/138 AD
D581,894 S *	12/2008	Kim .....	D14/138 G
D582,377 S *	12/2008	Kim et al. ....	D14/138 AD
D594,433 S *	6/2009	Seo et al. ....	D14/138 AD
D600,672 S *	9/2009	Kim et al. ....	D14/203.7
D601,988 S *	10/2009	Bang et al. ....	D14/138 G
D608,331 S *	1/2010	Kim et al. ....	D14/138 AC

D615,519 S *	5/2010	Kim et al. ....	D14/138 G
D617,757 S *	6/2010	Kim et al. ....	D14/138 AD
D621,378 S *	8/2010	Kim et al. ....	D14/138 AD
D628,183 S *	11/2010	Kim et al. ....	D14/138 G
D633,068 S *	2/2011	Chen et al. ....	D14/138 G
D633,070 S *	2/2011	Tzeng .....	D14/138 G
2006/0166713 A1 *	7/2006	Yeh et al. ....	455/575.1
2007/0218963 A1 *	9/2007	Kim .....	455/575.4
2008/0096616 A1 *	4/2008	Choi .....	455/575.1

**OTHER PUBLICATIONS**

Siemens CF62, announced Feb. 2004, [online], [retrieved on Mar. 25, 2011]. Retrieved from Internet ,<URL: <http://www.gsmarena.com>>.\*

Sony Ericsson S600, announced Jun. 2005, [online], [retrieved on Feb. 16, 2007]. Retrieved from Internet ,<URL: <http://www.gsmarena.com>>.\*

LG Xenon, announced Mar. 2009, [online], [retrieved on Apr. 16, 2009]. Retrieved from Internet ,<URL: <http://www.gsmarena.com>>.\*

Samsung B7620 Giorgio Armani, announced Oct. 2009, [online], [retrieved on Oct. 28, 2009]. Retrieved from Internet ,<URL: <http://www.gsmarena.com>>.\*

\* cited by examiner

*Primary Examiner* — Bridget L Eland

(74) *Attorney, Agent, or Firm* — Staas & Halsey LLP

(57) **CLAIM**

The ornamental design for a mobile phone, as shown and described.

**DESCRIPTION**

FIG. 1 is a front perspective view of a mobile phone;  
FIG. 2 is a front view of the mobile phone of FIG. 1;  
FIG. 3 is a rear view of the mobile phone of FIG. 1;  
FIG. 4 is a left-side view of the mobile phone of FIG. 1;  
FIG. 5 is a right-side view of the mobile phone of FIG. 1;  
FIG. 6 is a top plan view of the mobile phone of FIG. 1; and,  
FIG. 7 is a bottom plan view of the mobile phone of FIG. 1.

**1 Claim, 4 Drawing Sheets**

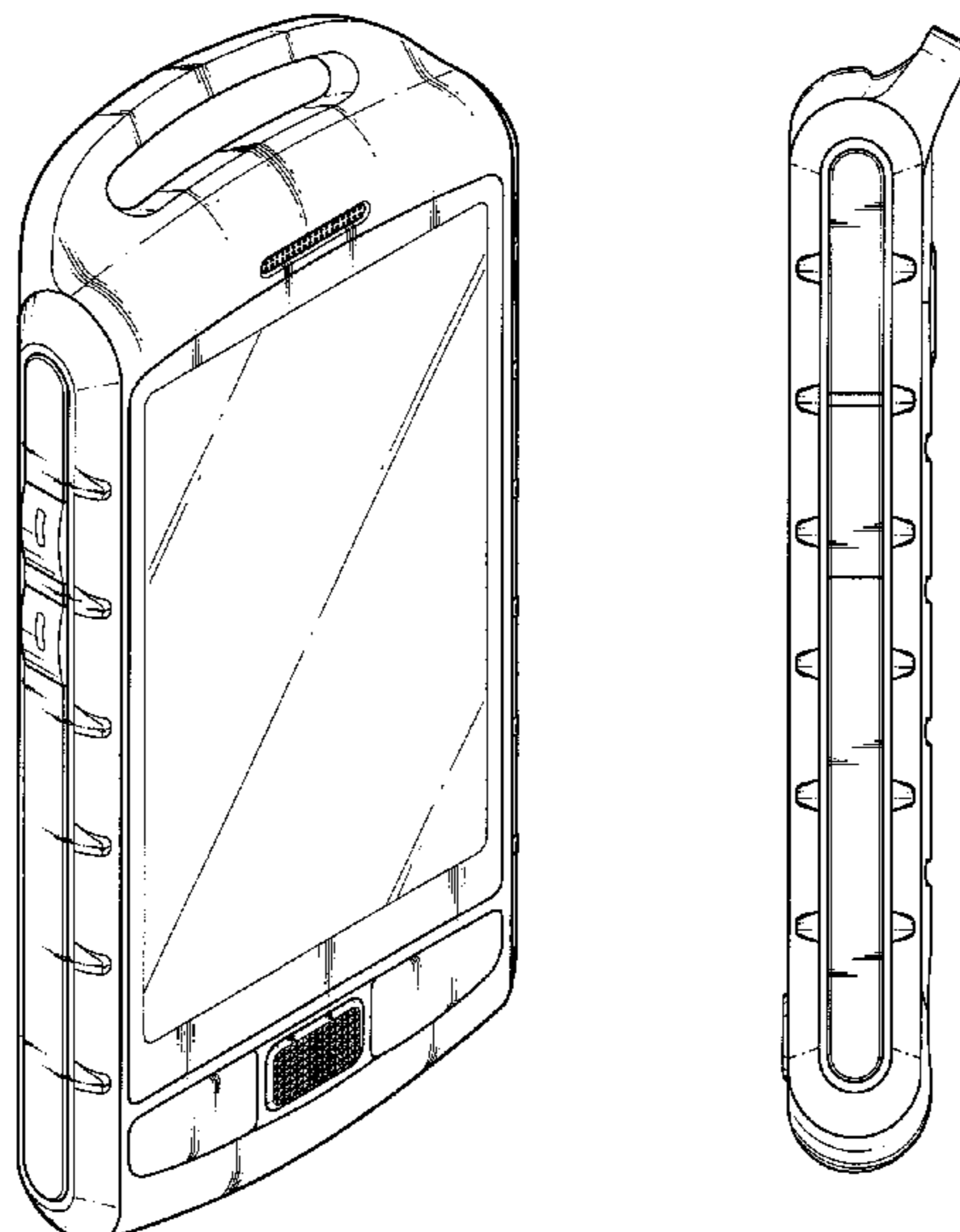


FIG. 1

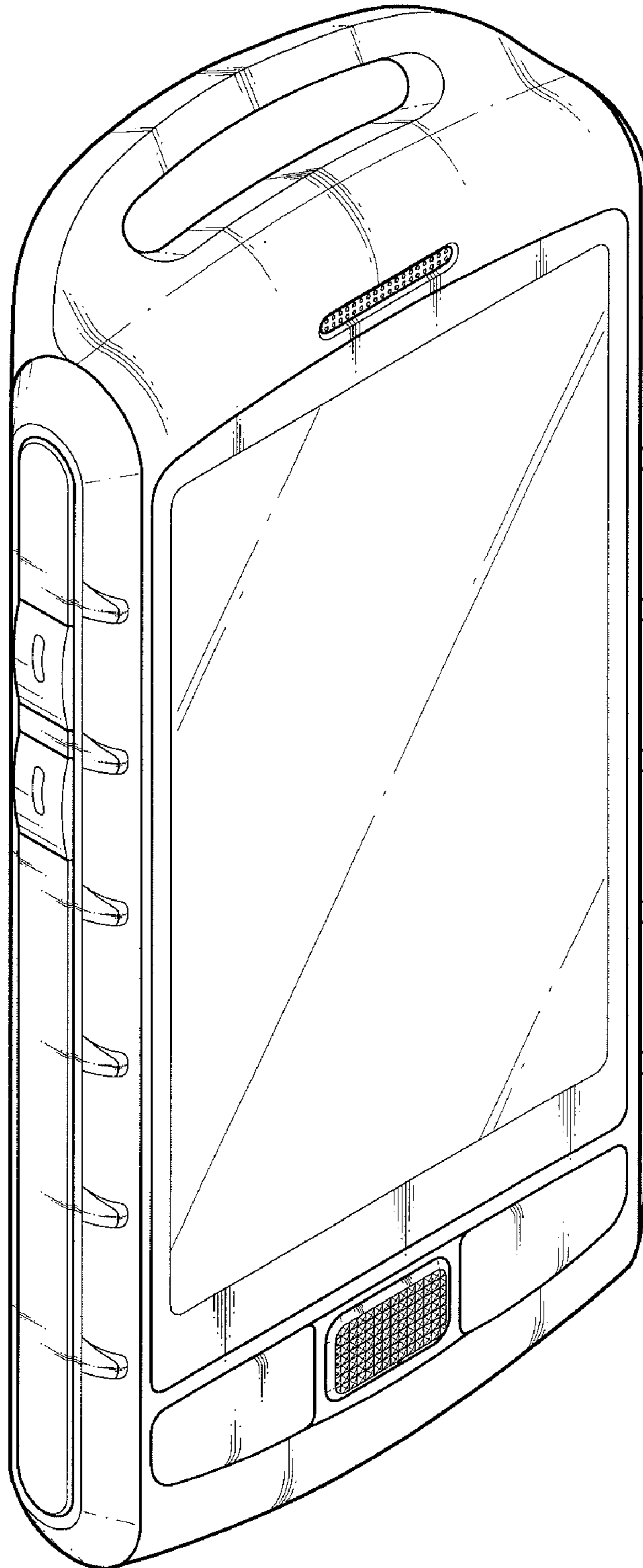


FIG. 2

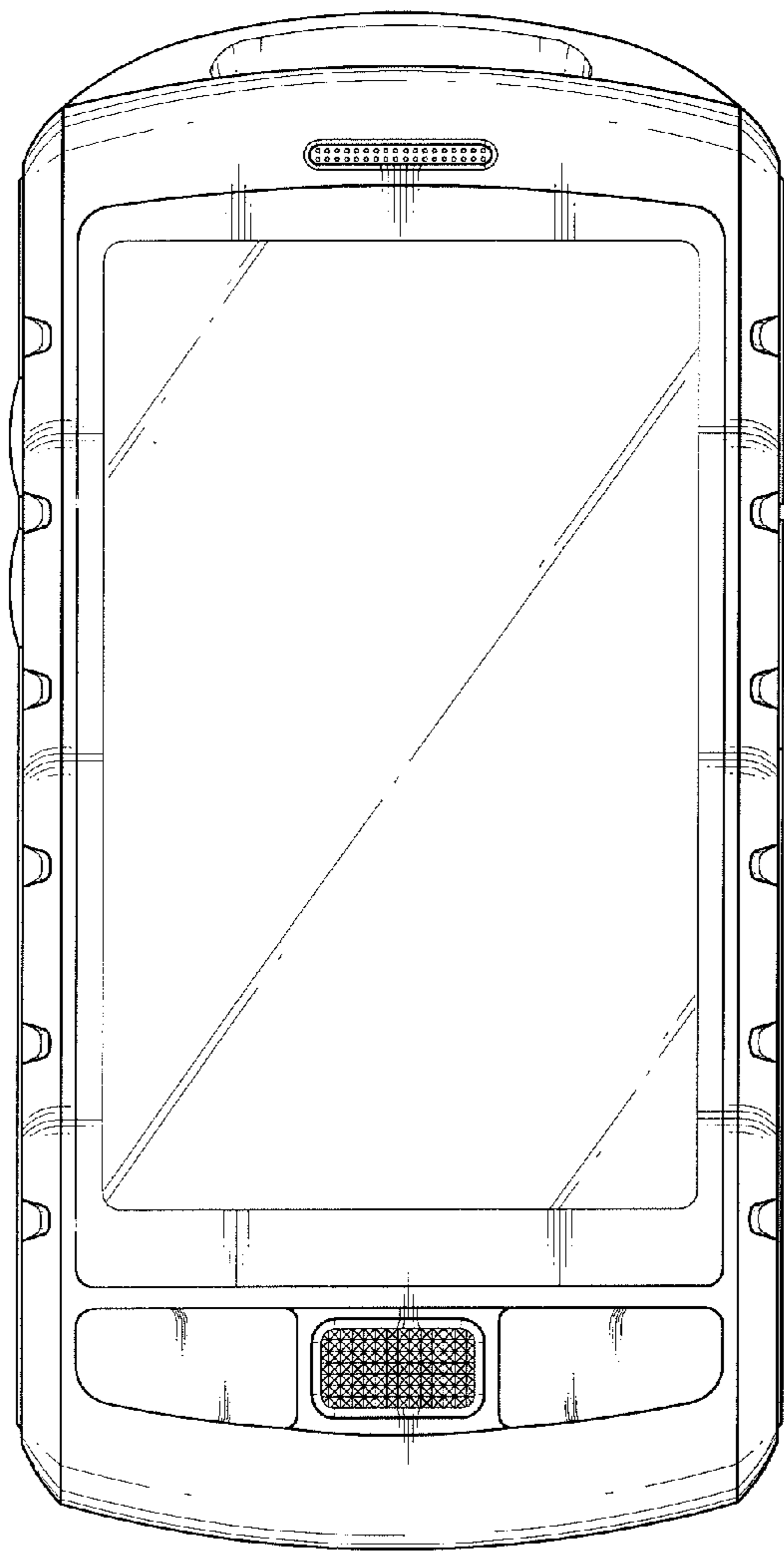


FIG. 3

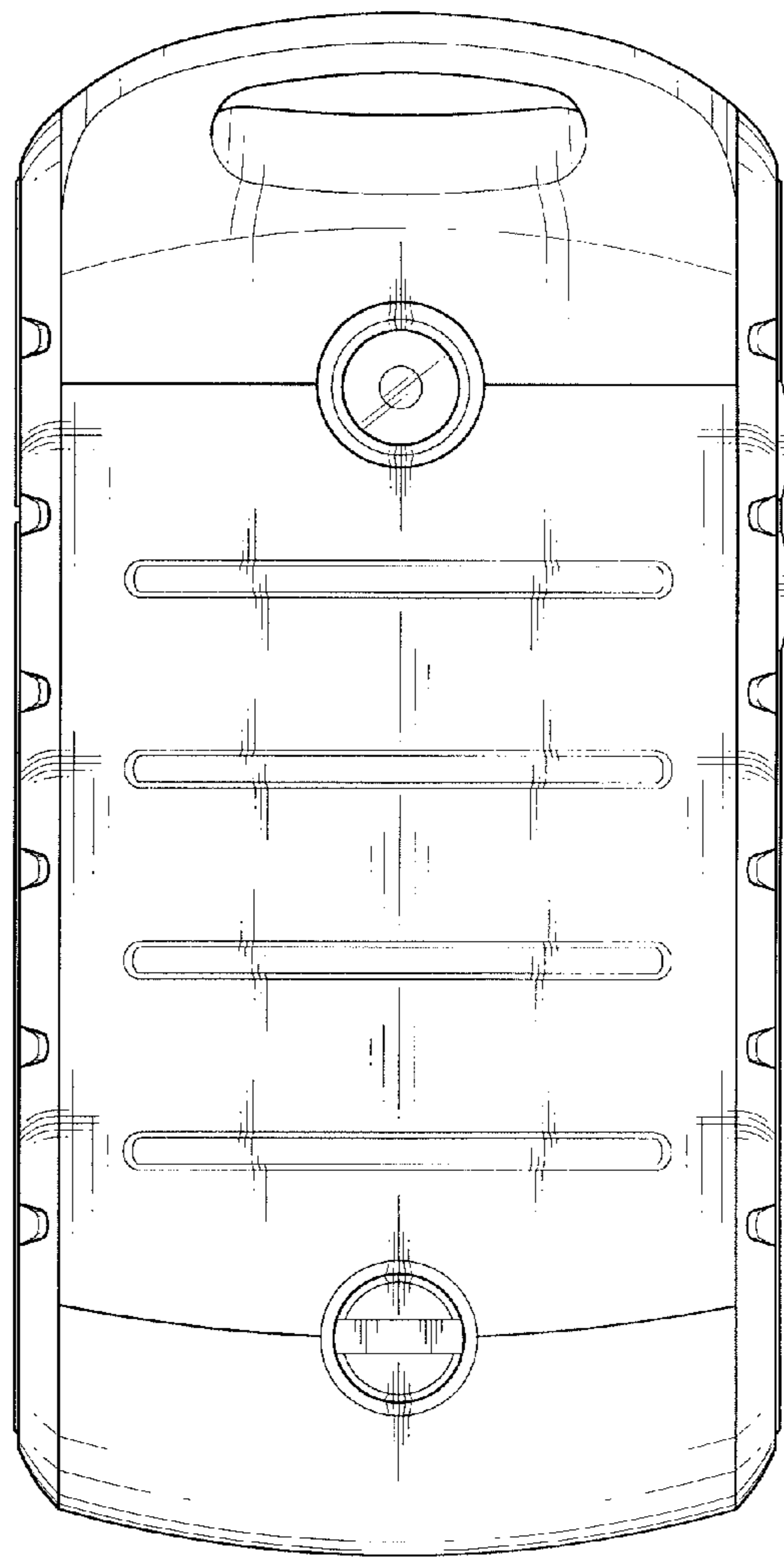


FIG. 4

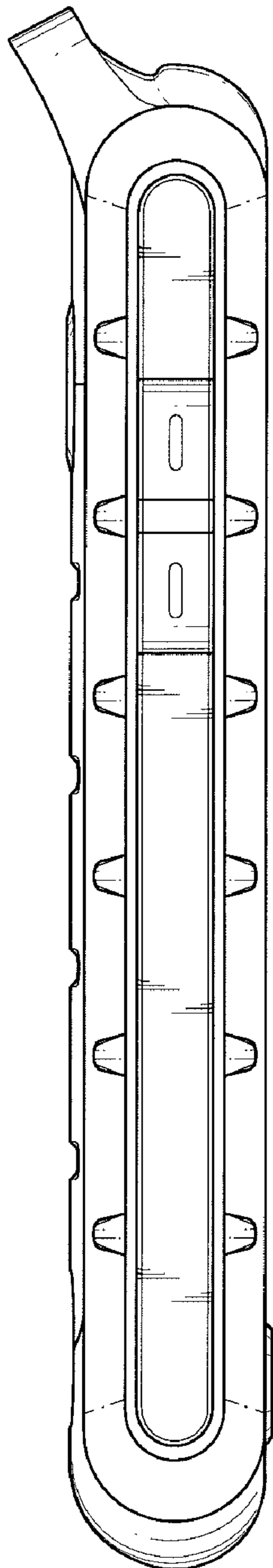


FIG. 5

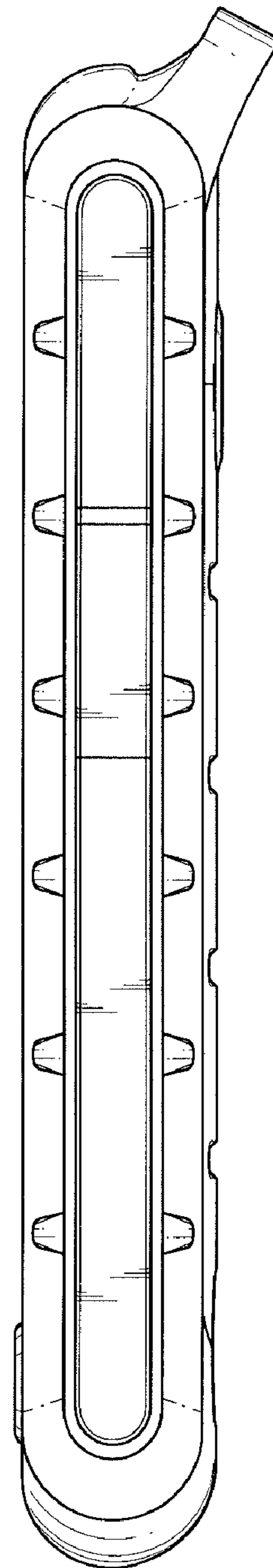


FIG. 6

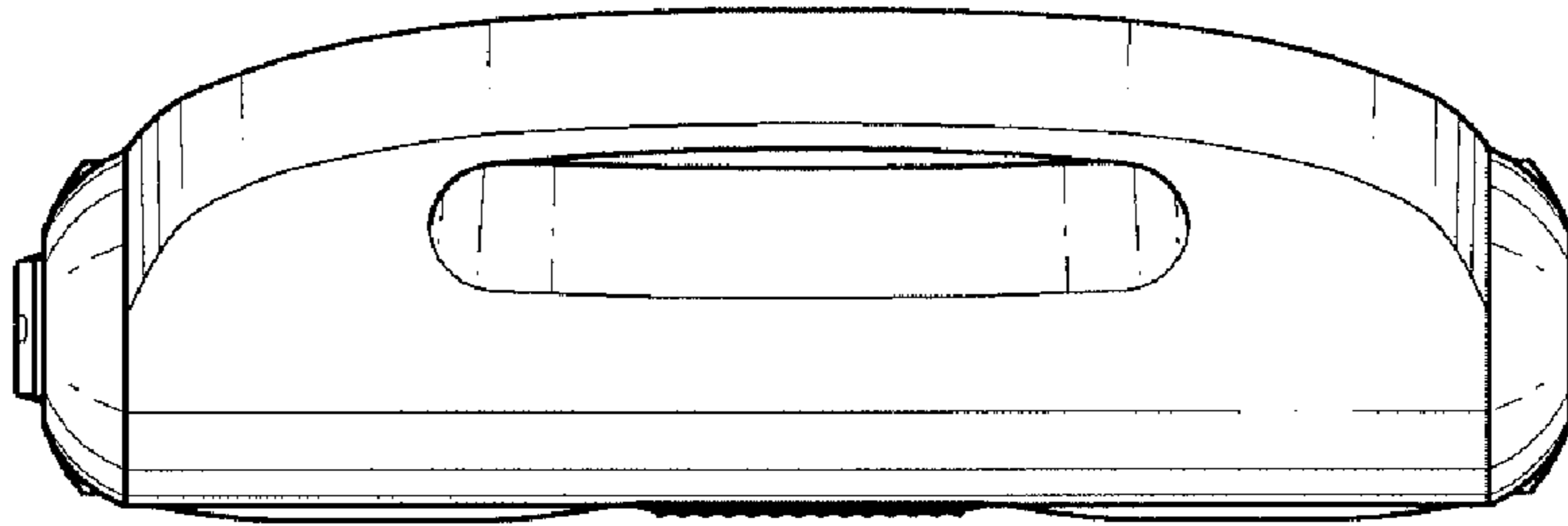


FIG. 7

