



US00D643004S

(12) **United States Design Patent**  
**Honda et al.**

(10) **Patent No.:** **US D643,004 S**

(45) **Date of Patent:** **\*\* Aug. 9, 2011**

(54) **TELEVISION RECEIVER**

(75) Inventors: **Tatsuya Honda**, Kanagawa-ken (JP);  
**Charles Su**, Miaoli (TW)

(73) Assignee: **Kabushiki Kaisha Toshiba**, Tokyo (JP)

(\*\*) Term: **14 Years**

(21) Appl. No.: **29/386,346**

(22) Filed: **Feb. 28, 2011**

(30) **Foreign Application Priority Data**

Dec. 28, 2010 (JP) ..... 2010-031267

(51) **LOC (9) Cl.** ..... **14-03**

(52) **U.S. Cl.** ..... **D14/126**

(58) **Field of Classification Search** ..... D14/125-134,  
D14/239, 371, 136, 374-377, 440, 450, 448,  
D14/336, 342; 312/7.2; 348/836, 838, 180,  
348/184, 325, 739; 341/12; 248/917-924,  
248/465; 345/104, 133, 156, 168, 87, 173;  
720/605, 669, 600, 655; 369/99, 197; 455/344,  
455/347; D21/329, 515, 577, 622, 333, 433,  
D21/448, 452, 450, 331; D6/477, 479, 300;  
273/148 B; 446/484, 175, 356; D10/15,  
D10/26

See application file for complete search history.

(56) **References Cited**

U.S. PATENT DOCUMENTS

D542,747	S	*	5/2007	Kim et al.	.....	D14/126
D564,469	S		3/2008	Wei		
D572,684	S	*	7/2008	Suzuki et al.	.....	D14/126
D574,342	S	*	8/2008	Lee et al.	.....	D14/126
D576,122	S	*	9/2008	Suzuki et al.	.....	D14/126
D618,187	S	*	6/2010	Suzuki	.....	D14/126
D618,639	S	*	6/2010	Ho et al.	.....	D14/126
D625,277	S	*	10/2010	Lee et al.	.....	D14/126

FOREIGN PATENT DOCUMENTS

CN	301176464	4/2010
JP	D1307282	8/2007
KR	30-0419551	7/2006
KR	30-0425988	9/2006

\* cited by examiner

*Primary Examiner* — Raphael Barkai

(74) *Attorney, Agent, or Firm* — Banner & Witcoff, Ltd

(57) **CLAIM**

The ornamental design for a television receiver, as shown and described.

**DESCRIPTION**

FIG. 1 is a front perspective view of a television receiver showing our new design,  
FIG. 2 is a rear perspective view thereof,  
FIG. 3 is a front elevational view thereof,  
FIG. 4 is a rear elevational view thereof,  
FIG. 5 is a top plan view thereof,  
FIG. 6 is a bottom plan view thereof,  
FIG. 7 is a left side elevational view thereof; and,  
FIG. 8 is a right side elevational view thereof.

**1 Claim, 6 Drawing Sheets**

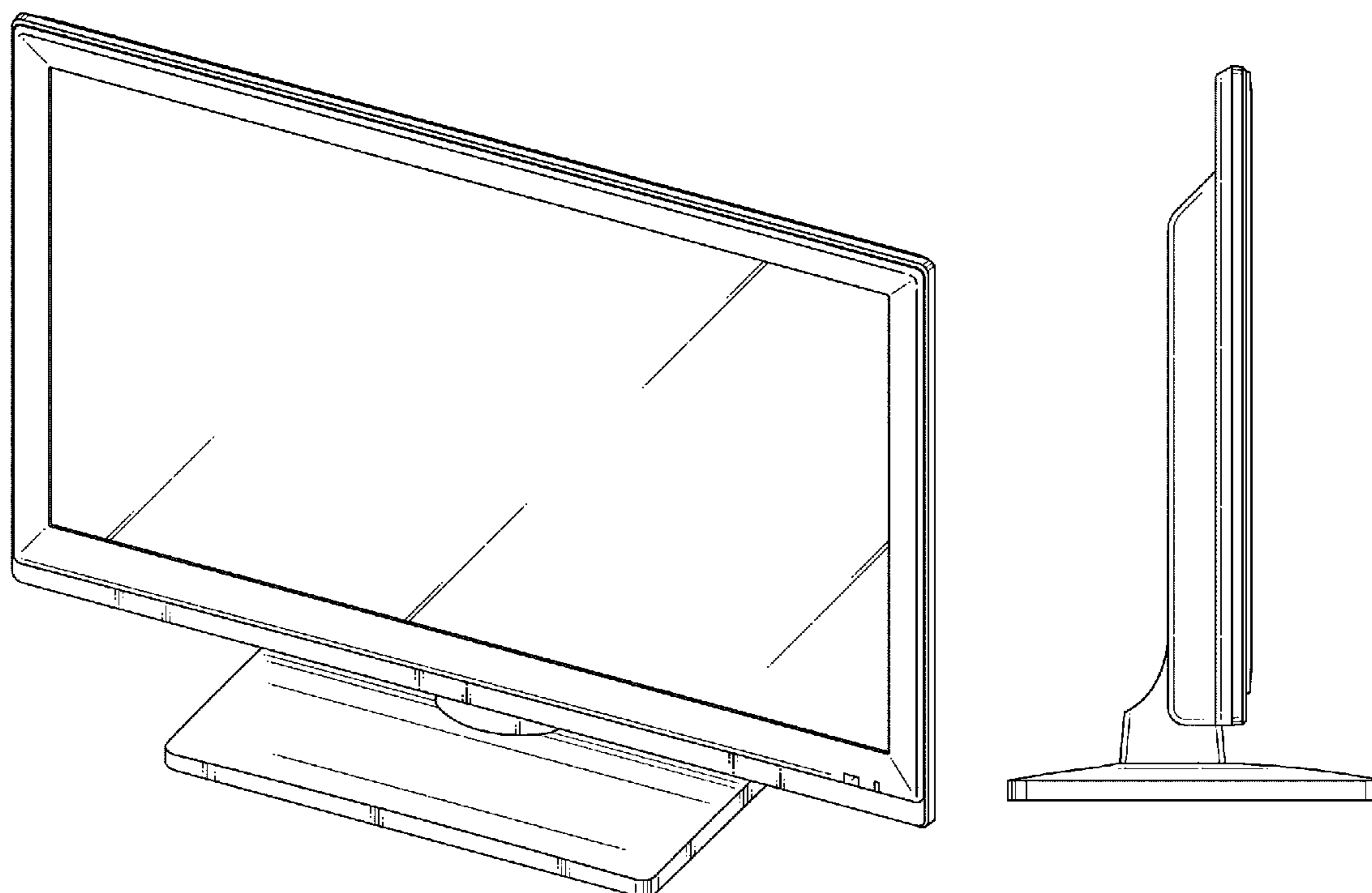


Fig. 1

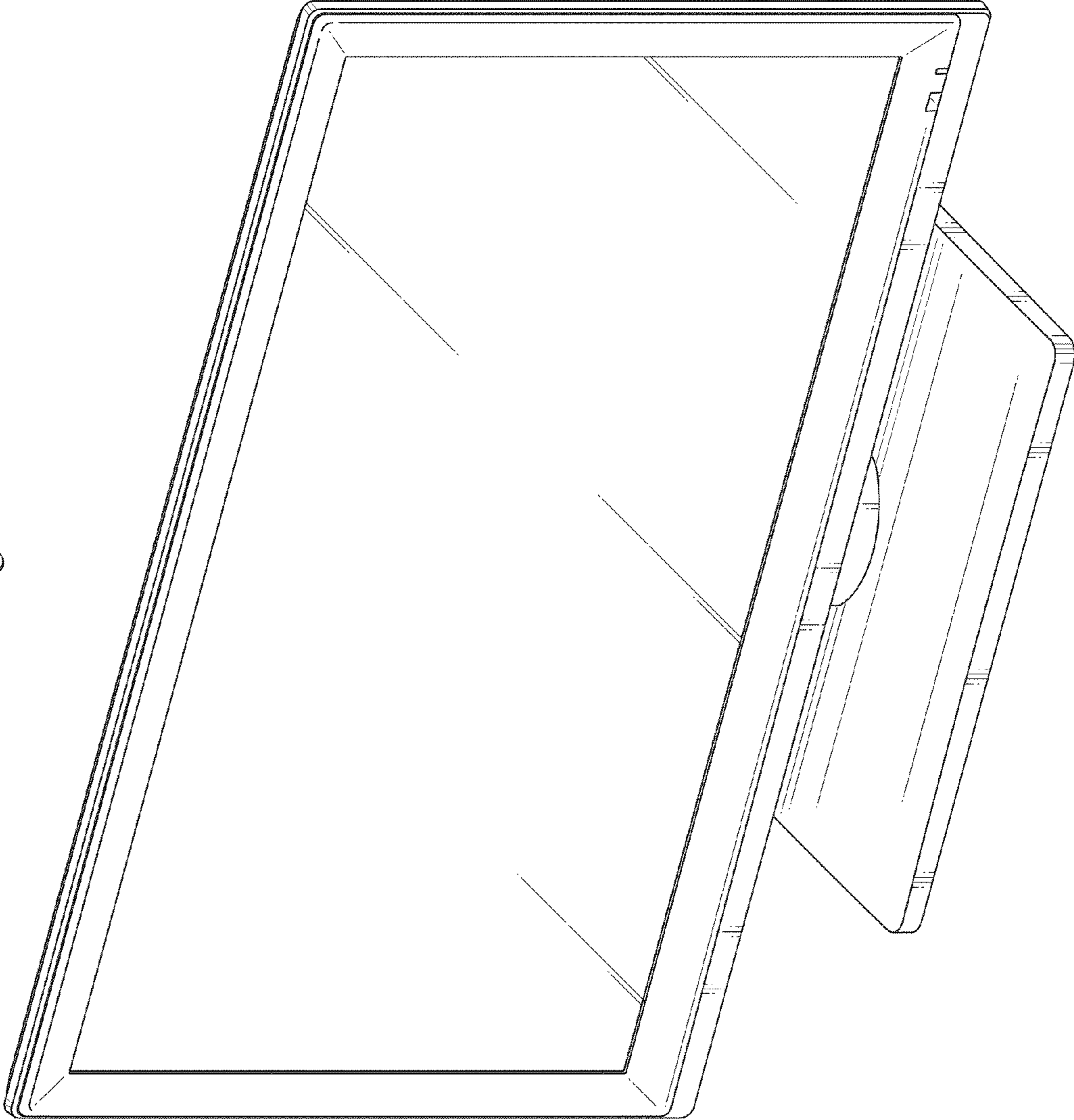


Fig. 2

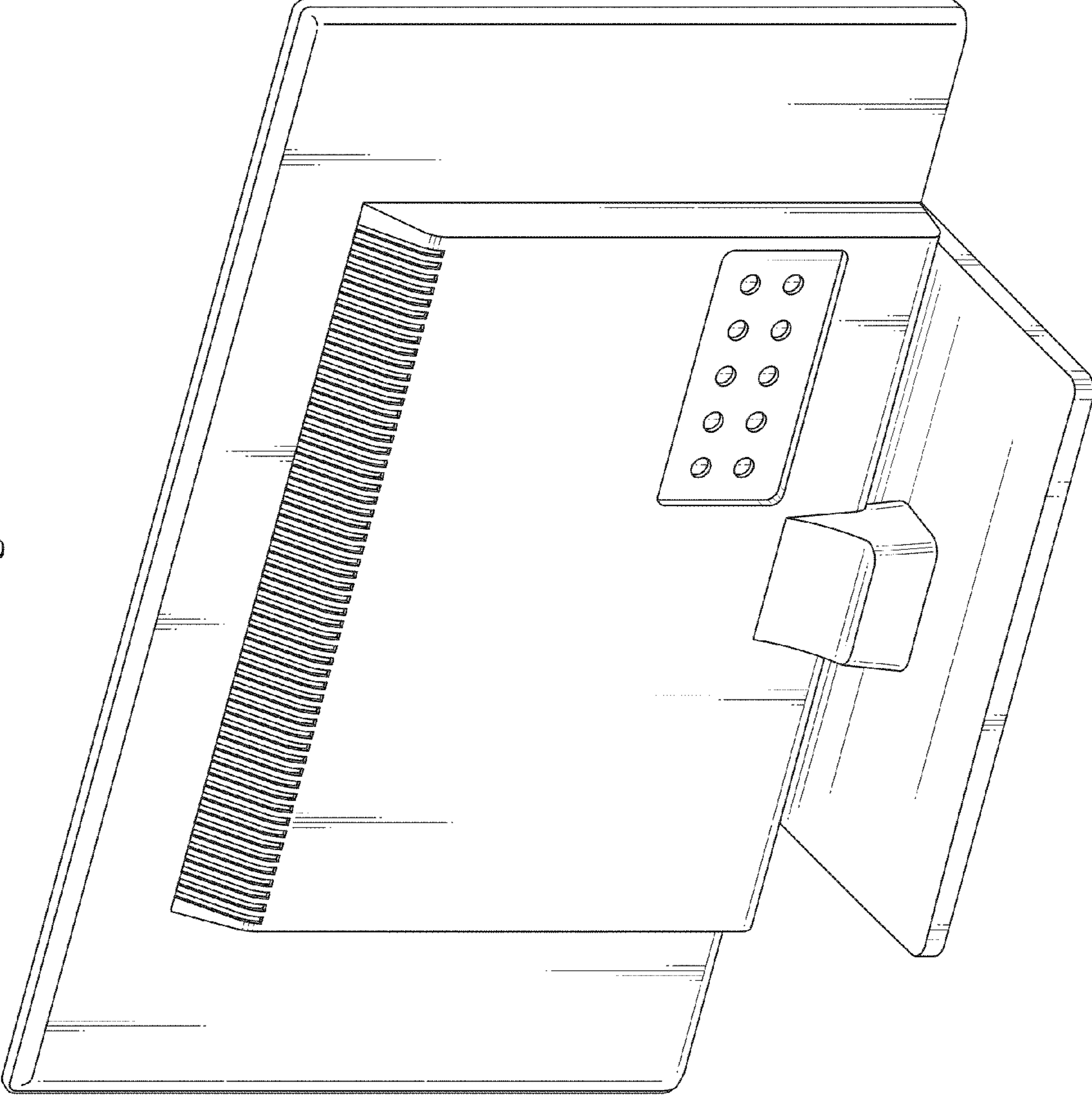


Fig. 3





Fig. 4

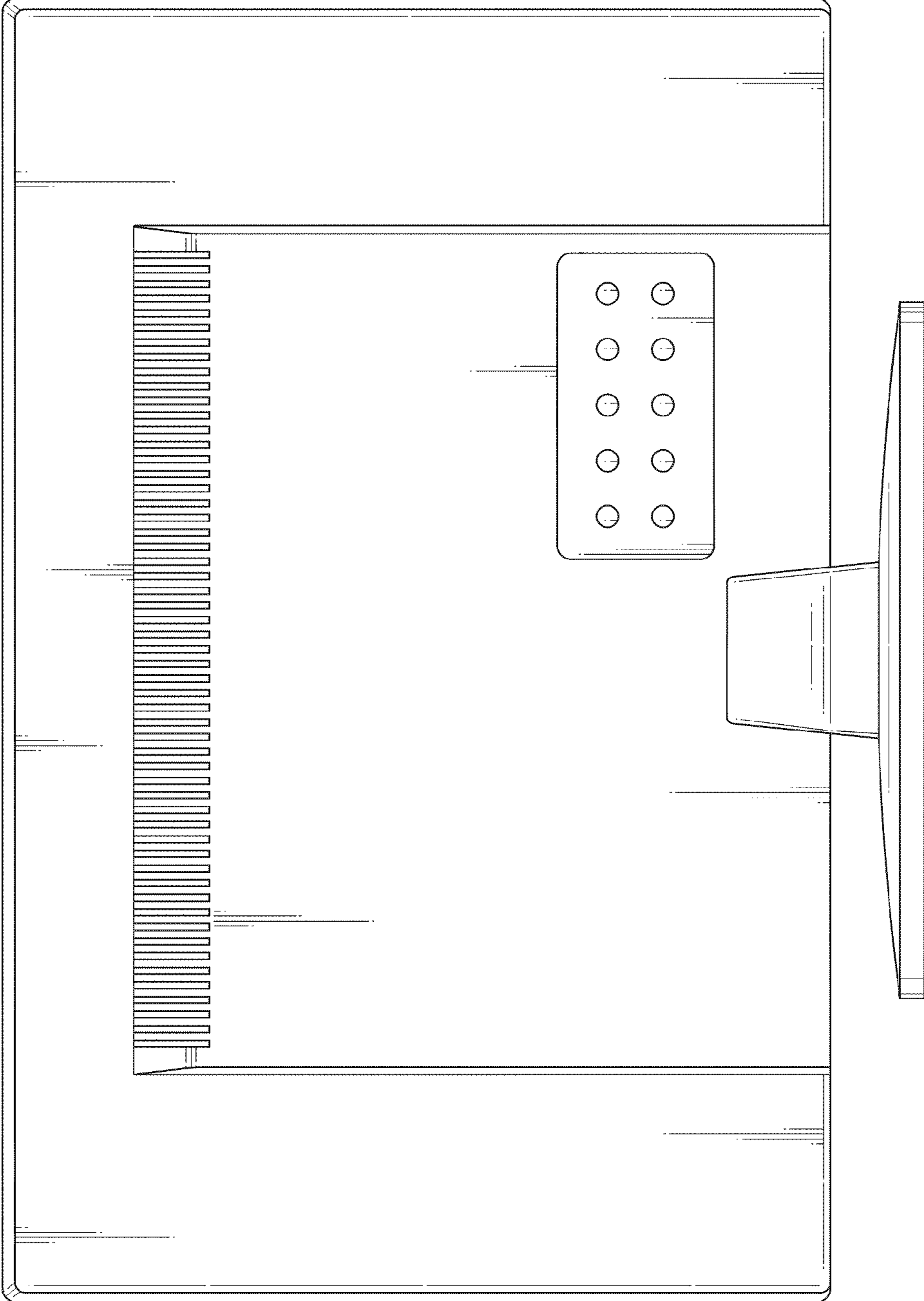


Fig. 5

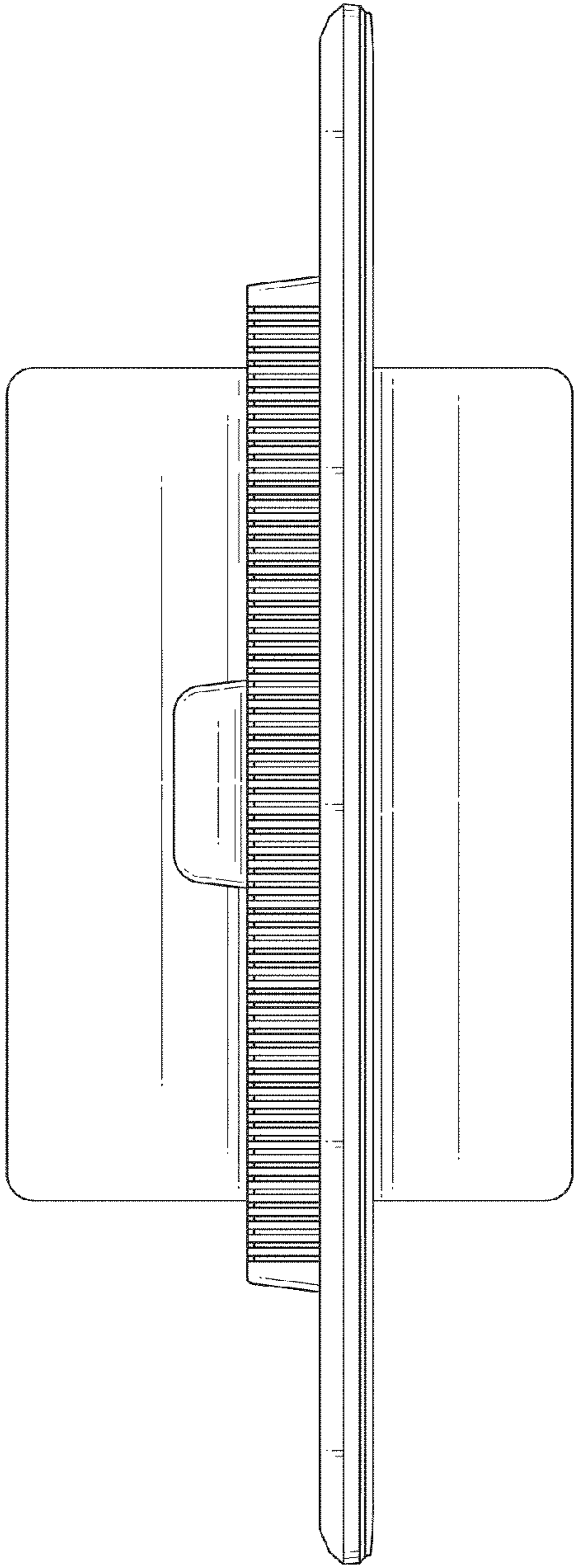


Fig. 6

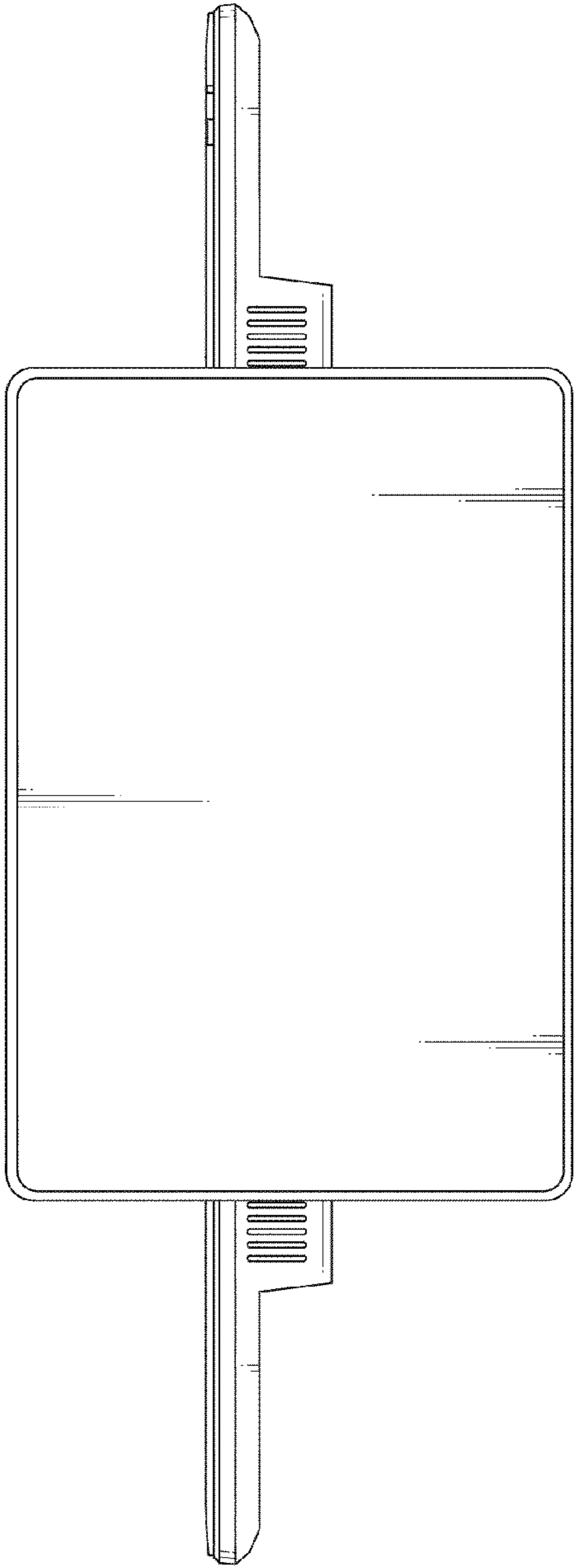


Fig. 8

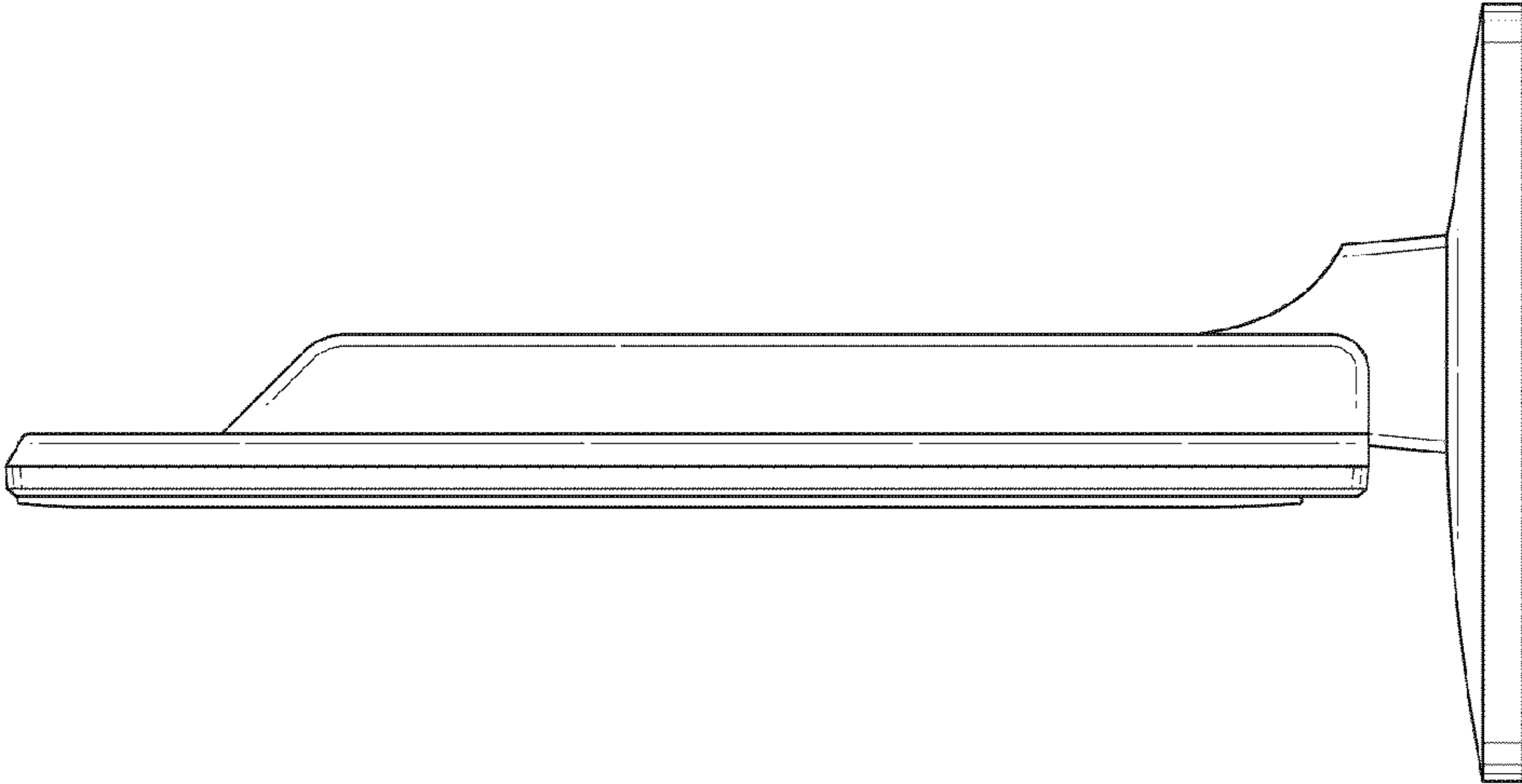


Fig. 7

