



US00D643000S

(12) **United States Design Patent**
Ryu et al.

(10) **Patent No.:** **US D643,000 S**
(45) **Date of Patent:** **** Aug. 9, 2011**

(54) **TELEVISION RECEIVER**

(75) Inventors: **Junghan Ryu**, Seoul (KR); **Hyunbyung Cha**, Seoul (KR); **Byungju Lee**, Seoul (KR); **Hyunhee You**, Gyeonggi-do (KR); **Sunjung Park**, Seoul (KR)

(73) Assignee: **LG Electronics Inc.**, Seoul (KR)

(**) Term: **14 Years**

(21) Appl. No.: **29/381,499**

(22) Filed: **Dec. 20, 2010**

(30) **Foreign Application Priority Data**

Dec. 9, 2010 (KR) 30-2010-0053356

(51) **LOC (9) Cl.** **14-03**

(52) **U.S. Cl.** **D14/126**

(58) **Field of Classification Search** D14/125-134,
D14/239, 371, 136, 374-377, 440, 450, 448,
D14/336, 342; 312/7.2; 348/836, 838, 180,
348/184, 325, 739; 341/12; 248/917-924,
248/465; 345/104, 133, 156, 168, 87, 173;
720/605, 669, 600, 655; 369/99, 197; D21/329,
D21/515, 577, 622, 333, 433, 448, 452, 450,
D21/331; D6/477, 479, 300; 273/148 B;
446/484, 175, 356; D10/15, 26

See application file for complete search history.

(56) **References Cited**

U.S. PATENT DOCUMENTS

D548,708	S	*	8/2007	Park et al.	D14/126
D559,807	S	*	1/2008	Fujii	D14/126
D564,990	S	*	3/2008	Ueno	D14/126
D574,344	S	*	8/2008	Ju et al.	D14/126
D579,426	S	*	10/2008	Kim et al.	D14/126
D605,148	S	*	12/2009	Boo et al.	D14/126
D605,150	S	*	12/2009	Kim	D14/126
D615,509	S	*	5/2010	Song et al.	D14/126
D615,939	S	*	5/2010	Honda	D14/126
D616,841	S	*	6/2010	Kim et al.	D14/126
D618,189	S	*	6/2010	Honda	D14/126
D624,894	S	*	10/2010	Kasuga et al.	D14/126
D625,278	S	*	10/2010	Kim et al.	D14/126
D627,750	S	*	11/2010	Suzuki	D14/126

* cited by examiner

Primary Examiner — Raphael Barkai

(74) *Attorney, Agent, or Firm* — Birch, Stewart, Kolasch & Birch, LLP

(57) **CLAIM**

The ornamental design for a television receiver, as shown and described.

DESCRIPTION

FIG. 1 is a top, front, perspective view of a television receiver showing our new design;
FIG. 2 is a front view thereof;
FIG. 3 is a rear view thereof;
FIG. 4 is a left side view thereof;
FIG. 5 is a right side view thereof;
FIG. 6 is a top view thereof;
FIG. 7 is a bottom view thereof; and,
FIG. 8 is a reference view thereof.

1 Claim, 7 Drawing Sheets

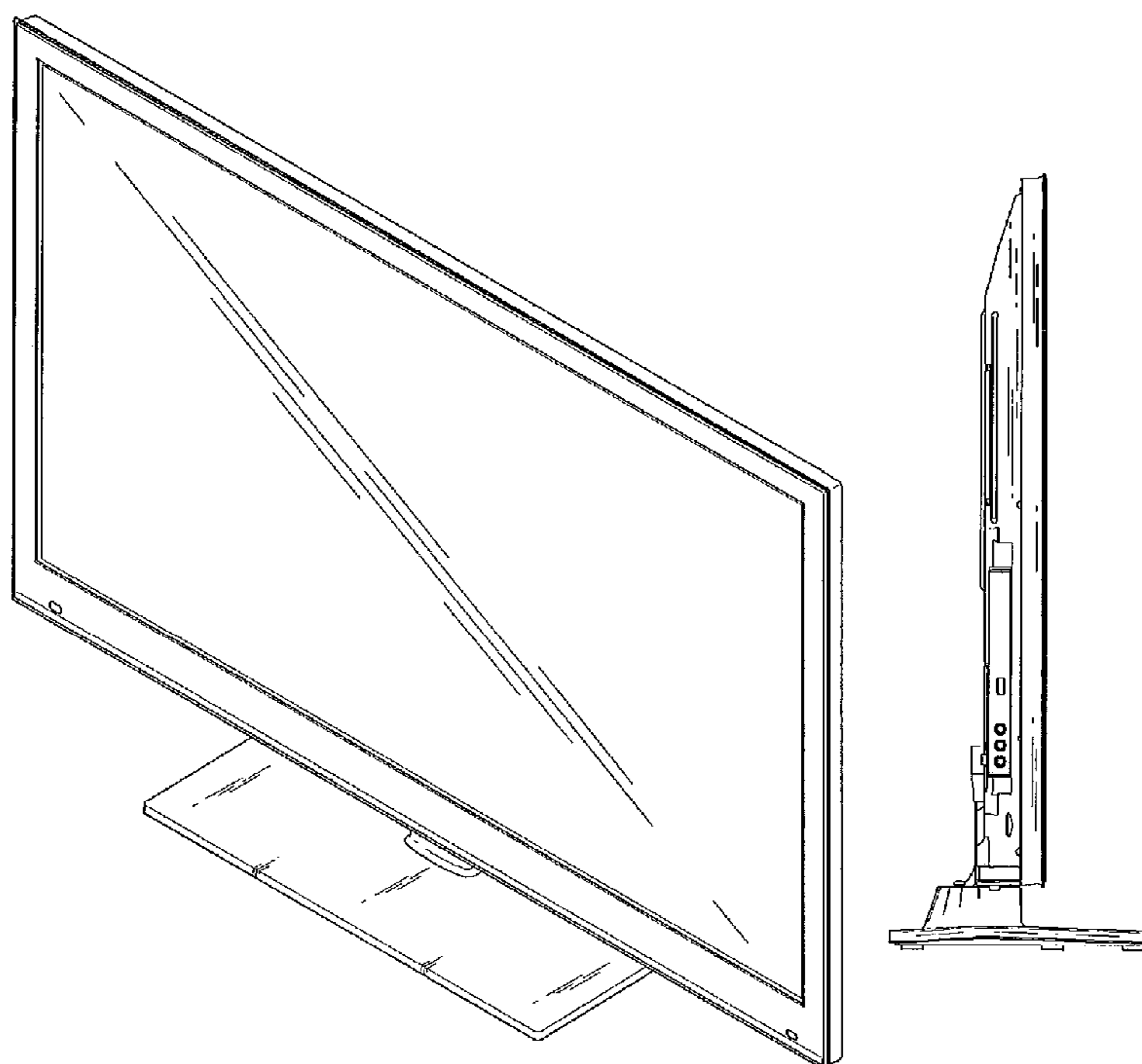


FIG. 1

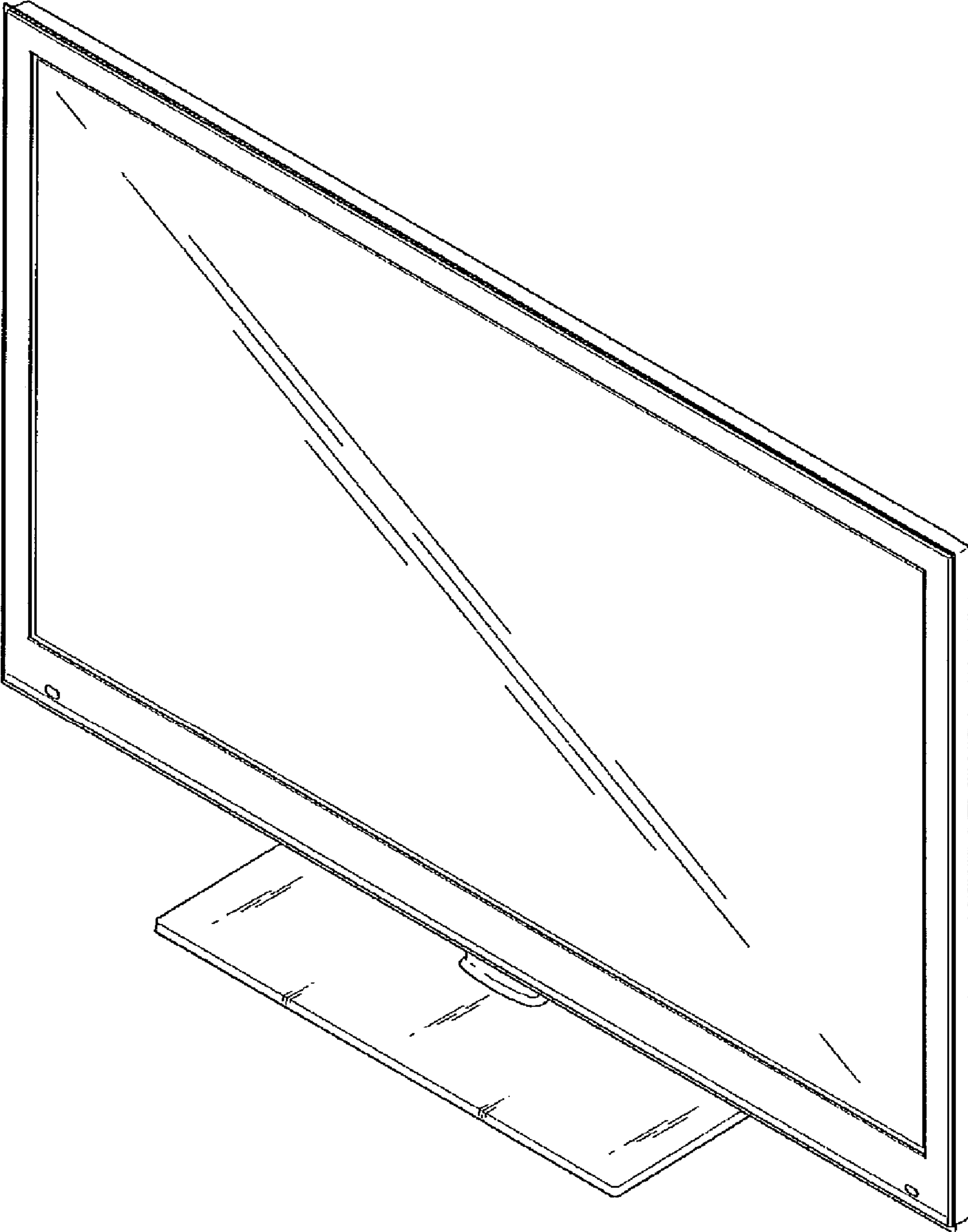


FIG. 2

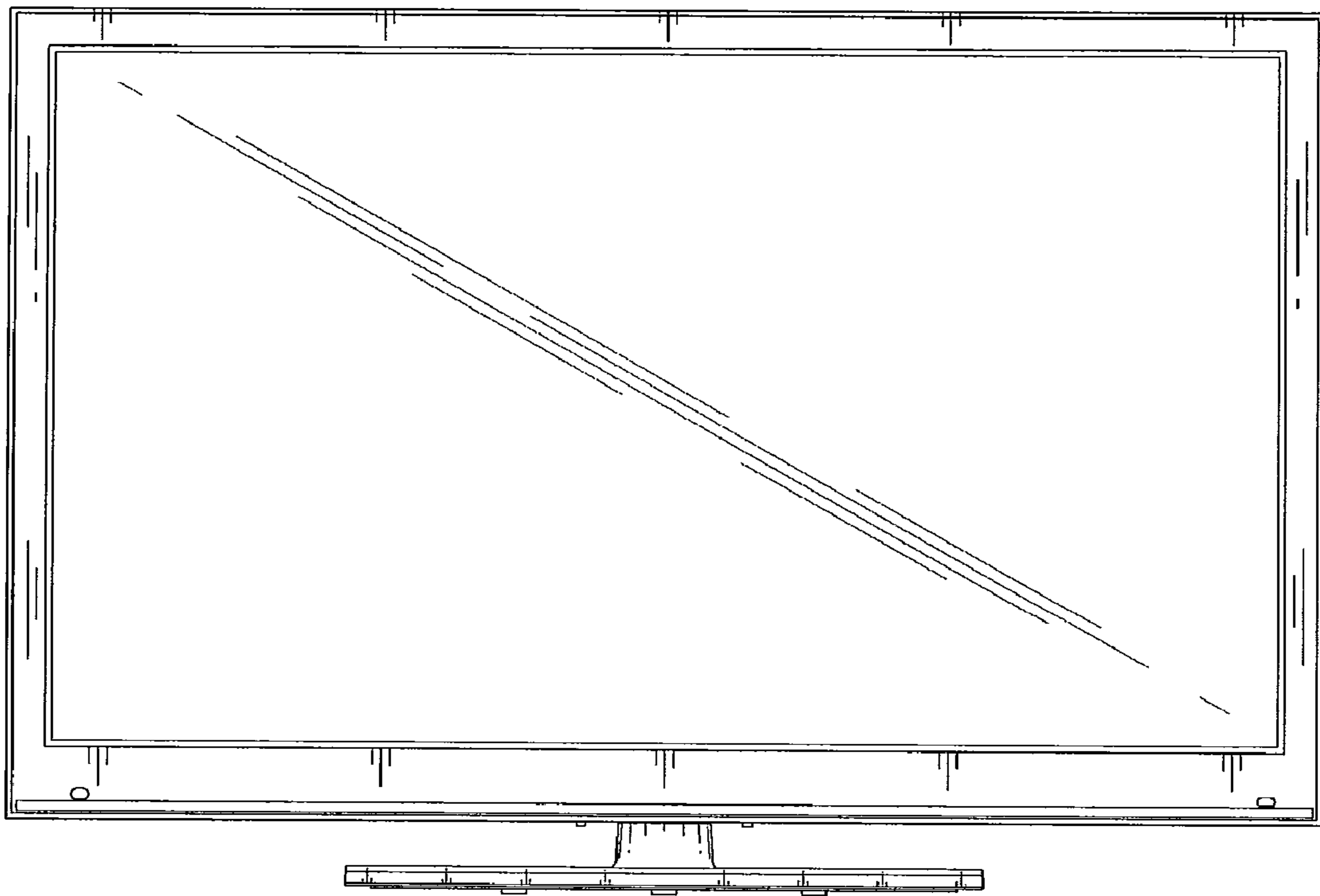


FIG. 3

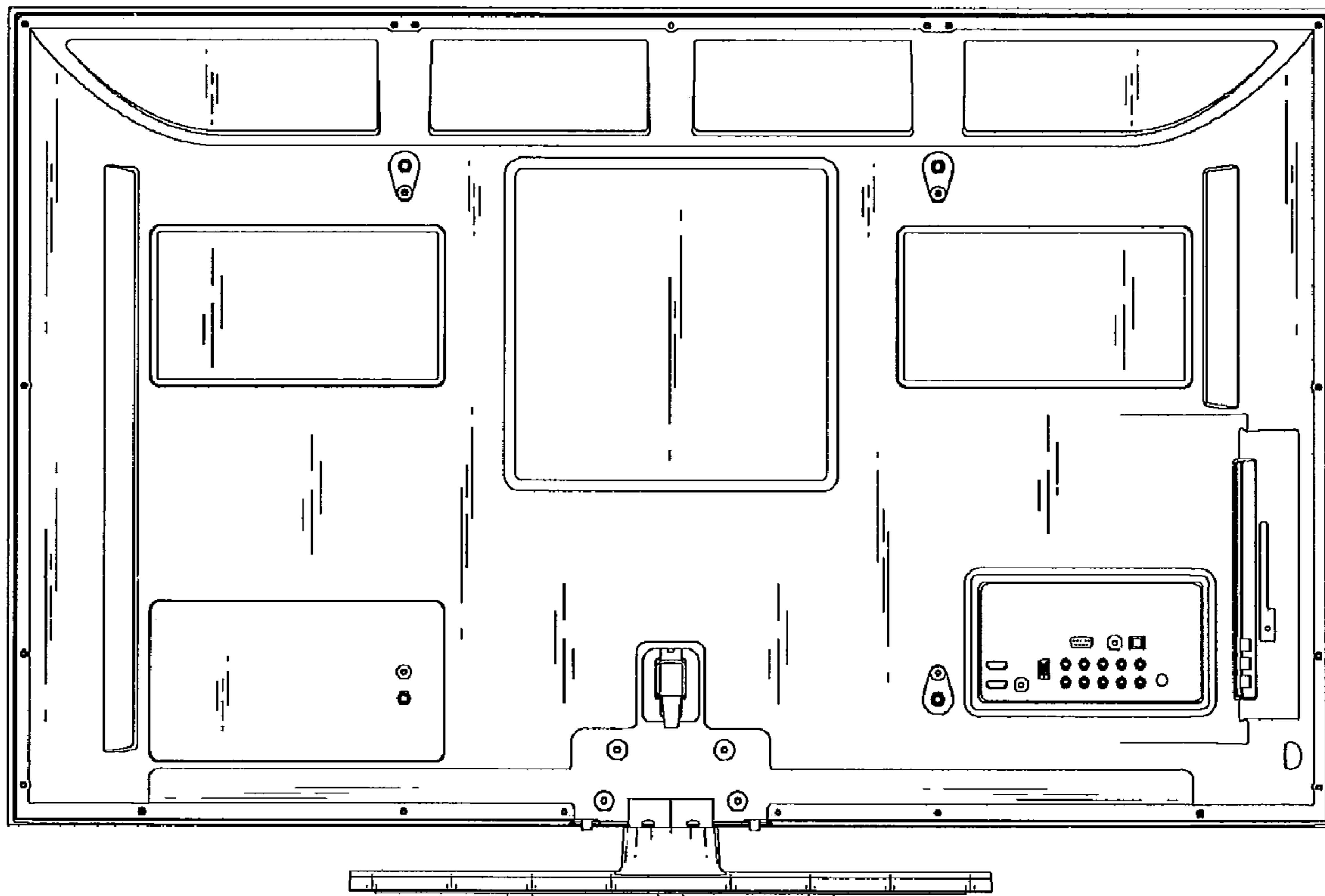


FIG. 4

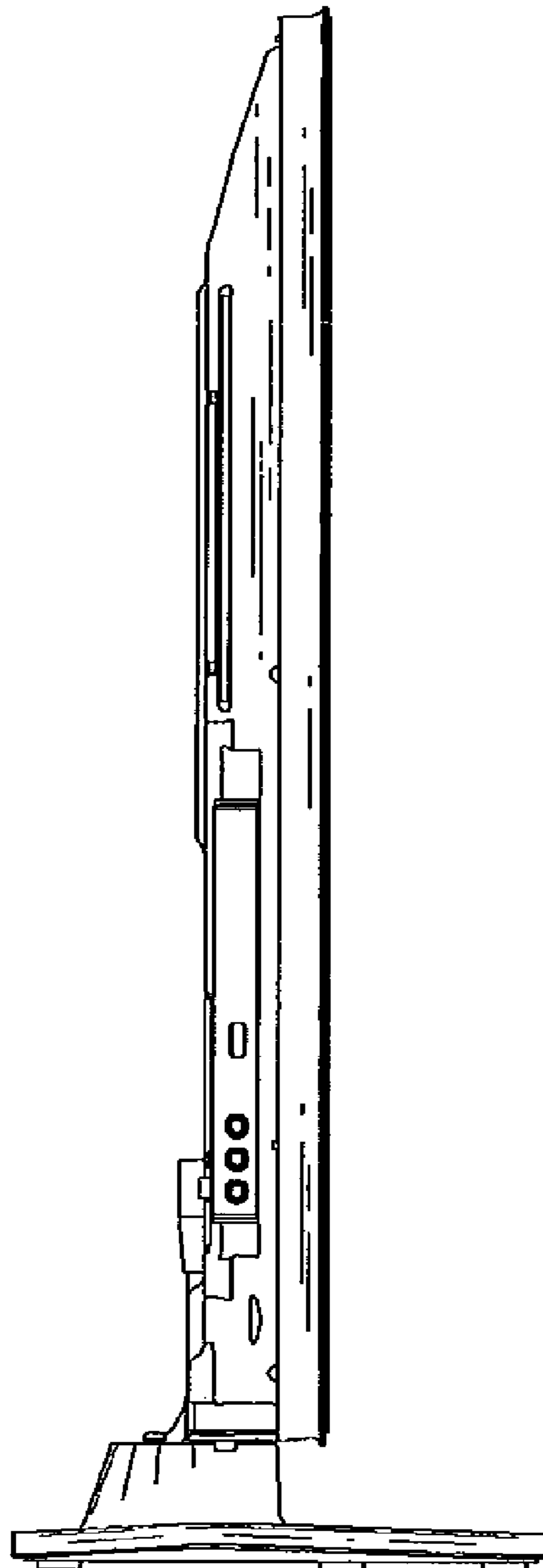


FIG. 5

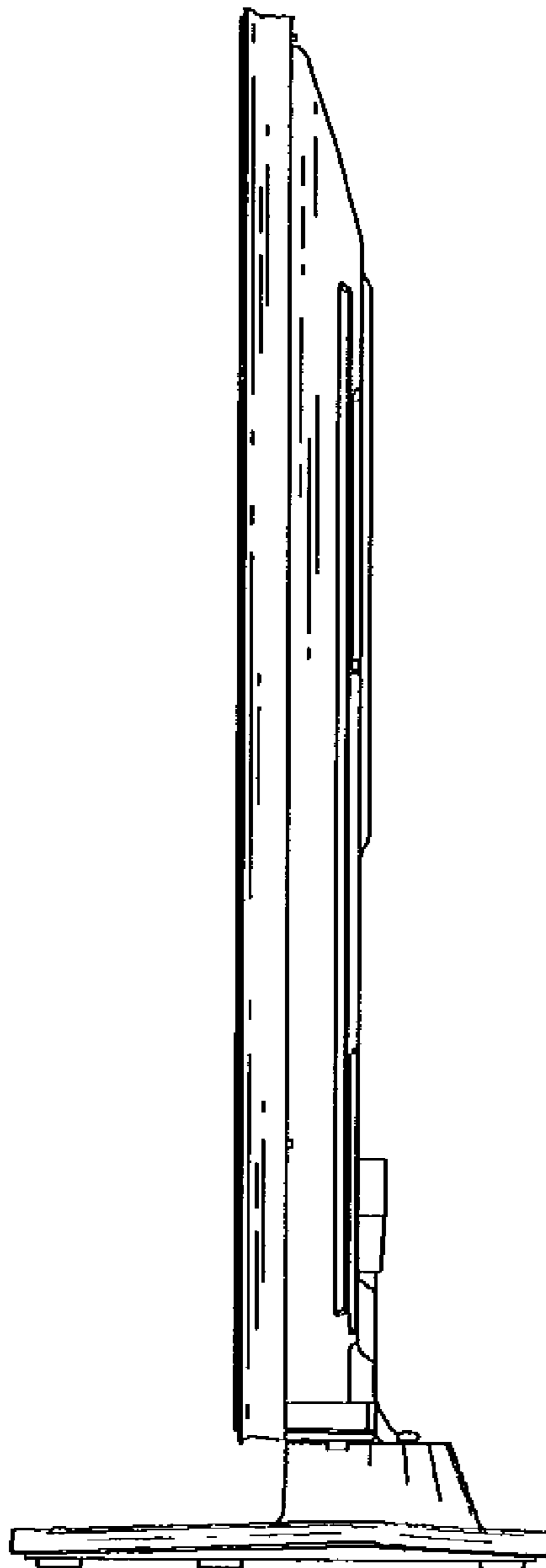


FIG. 6

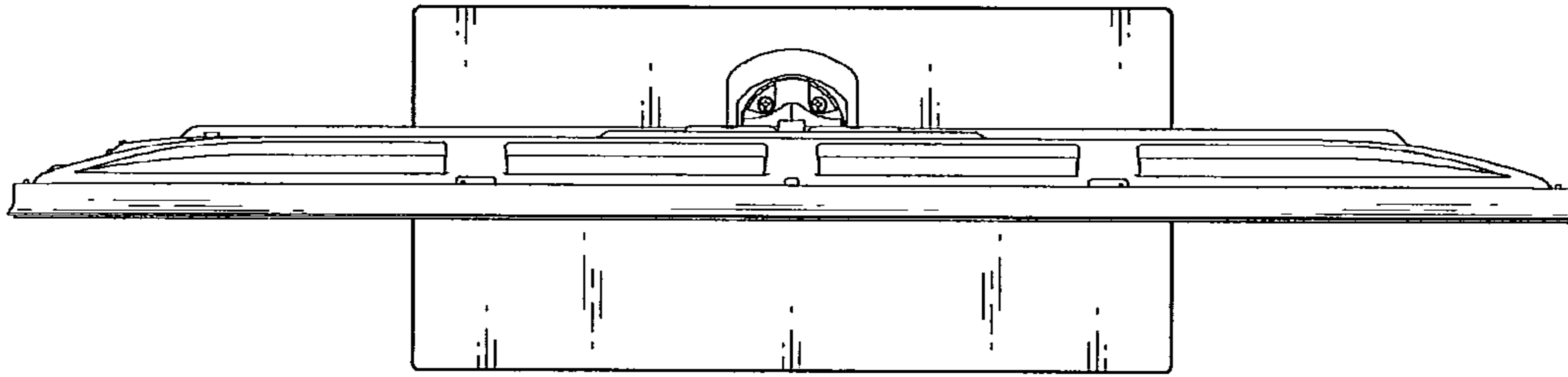


FIG. 7

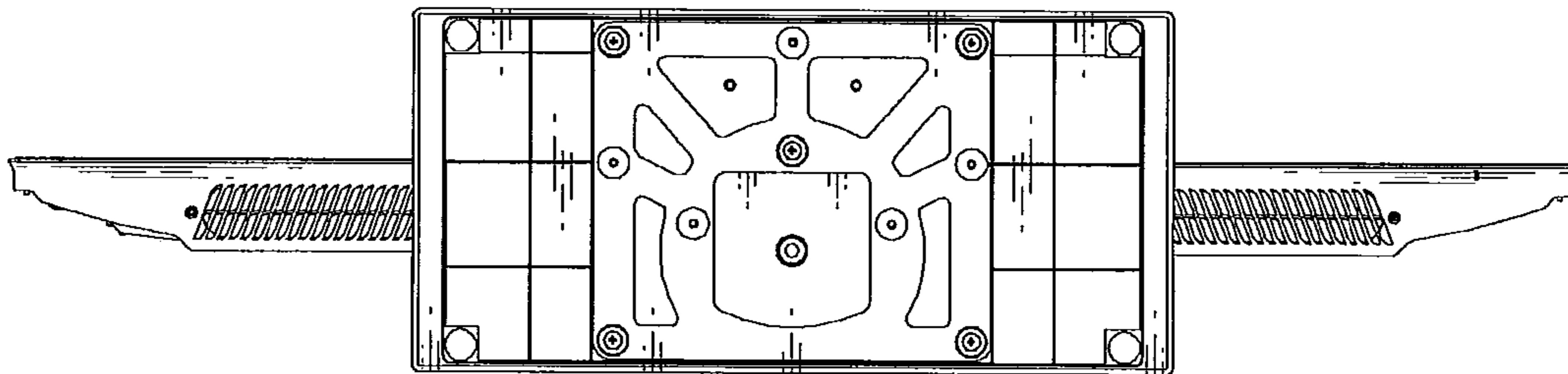


FIG. 8

